

UBAS HP Series

Direct operated pressure relief valve



Suitable for:



Air & process gases



Liquids



Steam

Markets:



Oil & gas



General industry

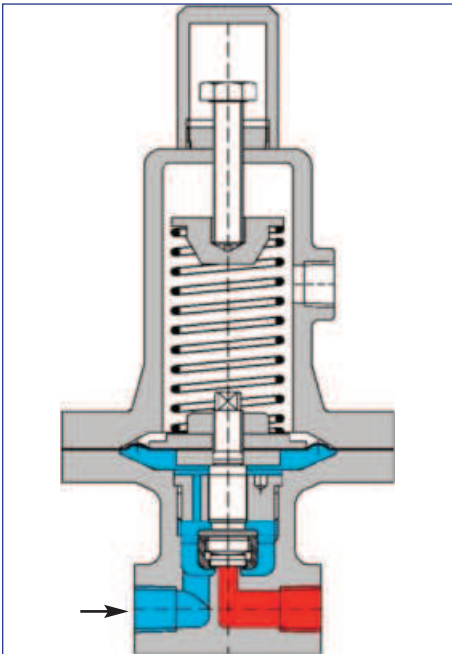


Power

UBAS HP Series:

Valve ID card

Function
Relief
Seat type
Single
Inlet / Outlet diameters
¼" - ½"
Body material
Stainless steel
End connections
Threaded (F-NPT or GAS/BS)
Max rating
ANSI 600
CV
From 0,8 up to 2,2
Trim materials
Stainless steel
Diaphragms
PTFE



■ Inlet pressure
■ Outlet pressure

The UBAS/HP is a, spring loaded, direct-operated, pressure relief valve. Its typical application is on auxiliary pneumatic systems for rotating machines.

This regulator has a very compact design and it has a very high inlet maximum pressure, so to be able to withstand system overpressures without damage.

Tab. [1] - Capacities

Size	elastomer diaphragm	metal diaphragm
¼" (DN6)	0,8	0,38
½" (DN15)	2,2	0,8

Tab. [2] - Material combination

Body	
	316L SS(IS3)
	-196°C ≤ T ≤ 250°C
	(-321°F ≤ T ≤ 482°F)
Body	ASME SA-351 CF3M
Gaskets set	PTFE
Trim	
Disc	See tab. [3]
Plug	ASTM A-479 316L
Guide	ASTM A-479 316L
Actuator	
Spring case	ASME SA-351 CF3M
Spring	ASTM A-313 316
Cap	ASTM A-479 316L
Diaphragm	See tab. [4]

NOTE SS = Stainless steel

Tab. [3] - Temperature range for Disc material

Stainless Steel *	-196 to 455°C (-321 to 851°F)
-------------------	-------------------------------

Tab. [4] - Temperature range for Diaphragms material

Polytetrafluoroethylene (PTFE) (Only for DN ¼" and ½")	-200 to 250°C (-328 to 482°F)
Stainless Steel **	-196 to 455°C (-321 to 851°F)

* Standard construction
** Special construction

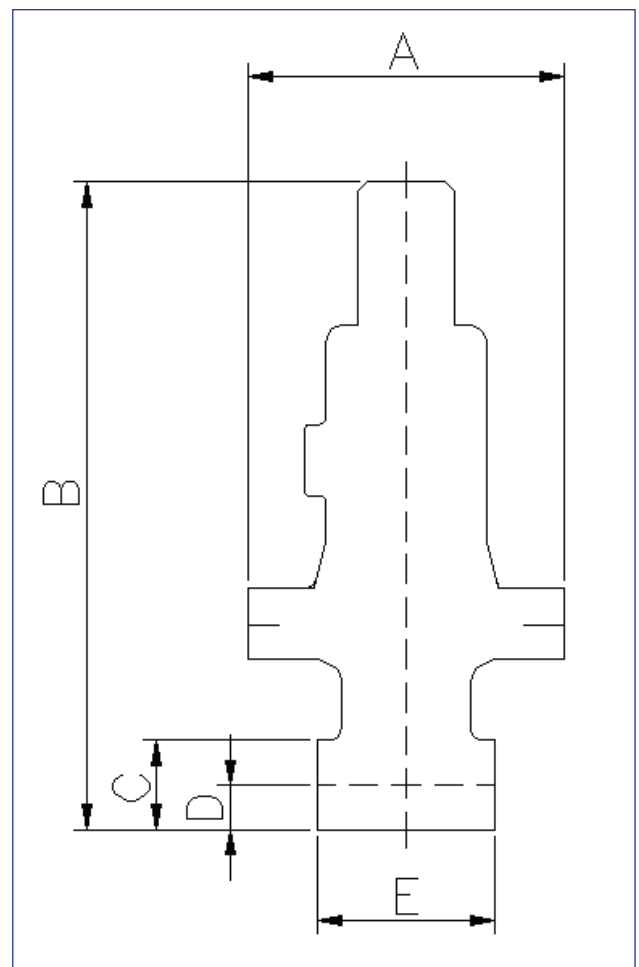
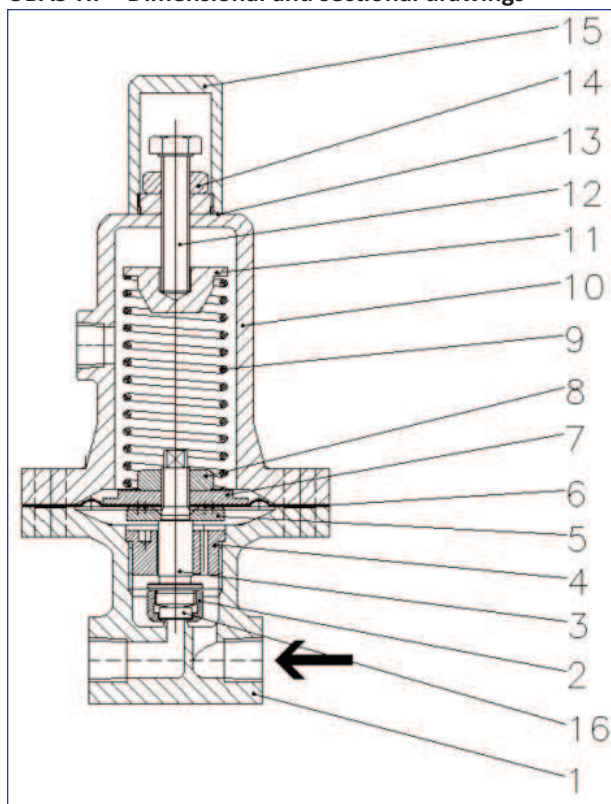
Index of tables and specifications

- Capacities • see table 1
- Maximum Inlet Pressure • 70 barg (1015 psig)
- Materials of Construction • see table 2
- Temperature Range • see tables 3-4
- Spring Range • see table 5
- Weight •
¼" size: 2kg (4,2 lbs)
½" size: 4kg (8,6 lbs)
1" size: 12kg (26,4 lbs) (special construction)
- Body Sizes and End Connections • see table 6

Tab. [5] - Spring range

Spring	Spring ranges			
	minimum set pressure		maximum set pressure	
Name	barg	psig	barg	psig
H4050	0,35	5,07	0,49	7,24
H4070	0,50	7,25	0,79	11,59
H4090	0,80	11,60	1,09	15,94
H4130	1,10	15,95	1,69	24,64
H4150	1,70	24,65	1,99	28,99
H4155	2,00	29,00	3,49	50,74
H4220	3,50	50,75	3,99	57,99
H4230	4,00	58,00	4,29	62,34
H4250	4,30	62,35	5,80	84,00

UBAS-HP - Dimensional and sectional drawings



Parts list:

- 1 - Body
- 2 - Ring
- 3 - Plug
- 4 - Guide
- 5 - Diaphragm plate (Lower)
- 6 - Diaphragm (*)
- 7 - Diaphragm plate (Upper)
- 8 - Adjusting screw locknut
- 9 - Spring
- 10 - Yoke
- 11 - Washer
- 12 - Adjusting screw
- 13 - Gasket (*)
- 14 - Nut
- 15 - Cap
- 16 - Disc plug (*) Recommended spare parts

Tab. [6] - Body sizes and face to face dimensions

Size (DN)	Threaded				
	NPT-F				
	A	B	C	D	E
¼" (DN6)	89 mm (3½")	165 mm (6½")	25 mm (1")	12,5 mm (½")	50 mm (2")
½" (DN15)	89 mm (3½")	172 mm (6¾")	64 mm (2½")	16,5 mm (¾")	89 mm (3½")

About Carraro

Carraro Srl is a private independent company, operative since 1924 in the field of industrial valves. The firm produces and commercializes worldwide a broad range of industrial pressure regulators, desuperheaters and safety valves for fluids such as steam, process gases and liquids.

The flexible organization of Carraro allows a great customization of the products and the production of “taylor made” constructions. Most of the Carraro’s product range can be realized also in “exotic” materials such as e.g. duplex, superduplex, monel, hastelloy, aluminum bronze and others. Supported by a global network of sales offices, representatives and distributors, Carraro offers a wide range of solutions for the Oil&Gas, the Power industry and all other diversified industrial applications.

Carraro: product range

UB Regulators: direct-operated pressure regulators with compact design

Maxomatic Series: multifunction pilot-operated regulators for liquids

MM-BPM series: direct-operated, spring pressure regulators

AT series: direct-operated temperature regulators

M51 series: direct-operated, weight and lever pressure regulators

CS series: safety valves for vapours, gas, liquids

CSV series: safety valves for steam and gases

VRE series: electrically operated control valves

MCP - ACP series: pneumatically operated control valves

AIRMATIC series: electropneumatic safety valves

DSH series: desuperheaters

Approvals and certifications

UNI EN ISO 9001: 2008	✓
UNI EN ISO 14001: 2004	✓
97 / 23 / CE (PED)	✓
94 / 09 / CE (ATEX)	✓
RINA	✓
GOST R+RTN	✓
CRN Canada	✓

Cooperations with notified bodies

LLOYD’s REGISTER	✓
ABS	✓
BV	✓
DNV	✓

How to contact us

VIA ENRICO FERMI, 22
20090 SEGRATE (MI) ITALY
TEL. +39 02 269912.1
FAX +39 02 26922452

info@carrarovalvole.it
sales@carrarovalvole.it
technicaldep@carrarovalvole.it
customerservice@carrarovalvole.it

 **CARRARO**[®]
www.carrarovalvole.it

