



# DM 10

## Battery Powered Digital Pressure Gauge

Ceramic Sensor

class 0.5

### Nominal pressure

from 0 ... 1.6 bar up to 0 ... 250 bar

### Special characteristics

- ▶ rotatable housing and display
- ▶ LC display  
4.5-digit 7-segment display
- ▶ standard battery CR 2450  
operation period > 1 500 h

### Functions

- ▶ min / max function with reset function
- ▶ auto-zero
- ▶ setting of pressure unit  
(bar, mbar, psi, MPa, mH<sub>2</sub>O)
- ▶ configuration of switch-off automatic

The compact low-cost digital pressure gauge DM 10 is battery-powered and has an adjustable housing; it is thus extremely suitable for mobile pressure monitoring. The 4.5-digit LC-display indicates the battery status, the measurement value as well as the unit, this enables a fast and precise reading.

It is possible to switch between the most common units (bar, psi, Pa, MPa). Additional functions as auto-zero, min / max values and an automatic switching-off complete the DM 10 profile.

### Preferred areas of use are



Mobile pressure monitoring  
Plant and machine engineering  
Pneumatics / hydraulics



Environmental engineering  
(water – sewage – recycling)



Input Pressure													
Nominal pressure gauge [bar]	1.6	2.5	4	6	10	16	25	40	60	100	160	250	
Overpressure [bar]	4	4	10	10	20	40	40	100	100	200	400	400	
Burst pressure [bar]	7	7	15	15	35	70	70	150	150	250	450	450	
Vacuum resistance	unlimited												

Performance	
Accuracy <sup>1</sup>	≤ ± 0.5 % FSO BFSL
Measuring rate	1/sec
Long term stability	≤ ± 0.3 % FSO / year

<sup>1</sup> accuracy according to IEC 60770 – minimum value setting (non-linearity, hysteresis, repeatability)

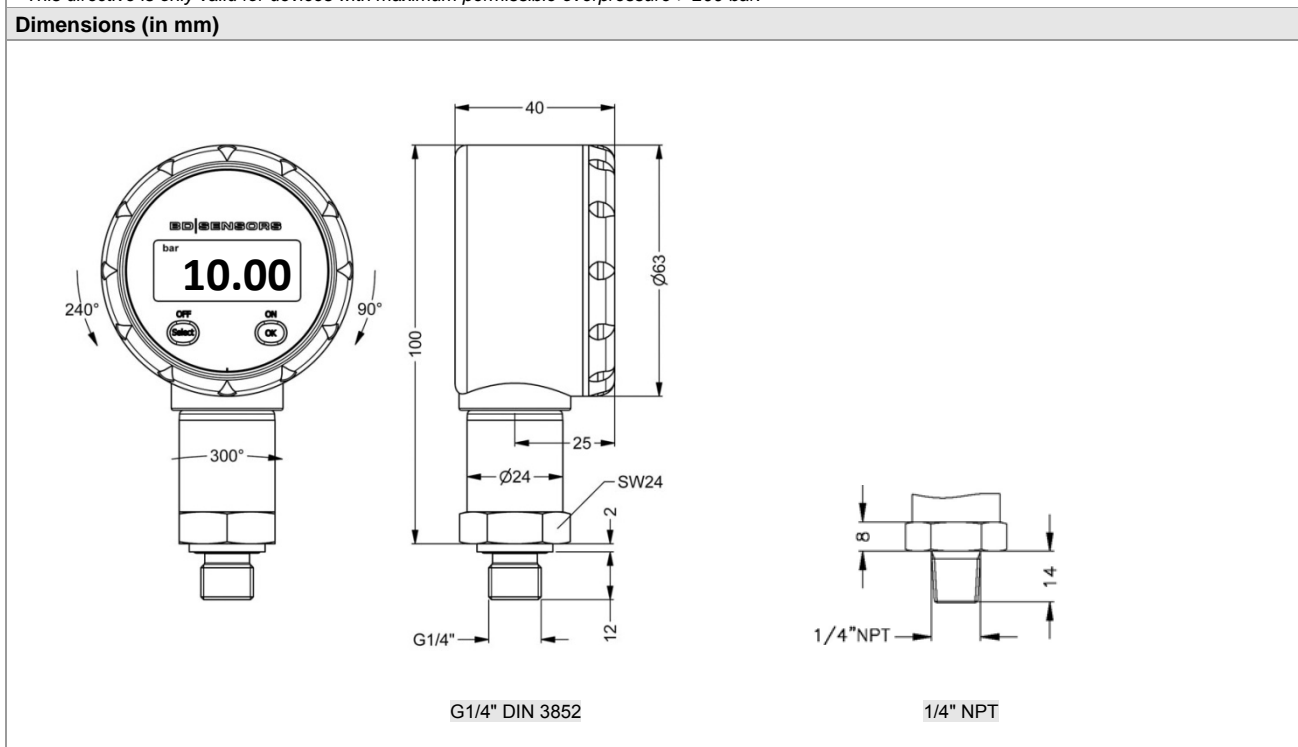
Thermal effects (Offset and Span)	
Tolerance band	≤ ± 0.5 % FSO / 10 K (typ.) in compensated range 0 ... 50 °C

Permissible temperatures	
Permissible temperatures	medium: -25 ... 85 °C environment: 0 ... 70 °C storage: 0 ... 70 °C

Materials	
Pressure port / housing	stainless steel 1.4301 (304)
Display housing	PA 6.6, Polycarbonate
Seals (media wetted)	FKM others on request
Diaphragm	ceramics Al <sub>2</sub> O <sub>3</sub> 96 %
Media wetted parts	pressure port, seals, diaphragm

Miscellaneous	
Display	LC-Display, visible range 36 x 15 mm; 4.5-digit 7-segment-display, digit size 8.5 mm, range of indication ±1999 decimal place is calculated automatically by device considering range and accuracy - customer-setting not possible
Electromagnetic compatibility	emission and immunity according to EN 61326
Supply	3 V lithium battery (CR 2450)
Data storage	EEPROM (non-volatile)
Ingress protection	IP 65
Installation position	any
Weight	approx. 150 g
Operational life of battery	min. 1 500 h with permanent operation
Mech. operational life	100 million load cycles
CE-conformity	EMC directive 2014/30/EU pressure equipment directive: 2014/68/EU (Modul A) <sup>2</sup>

<sup>2</sup> This directive is only valid for devices with maximum permissible overpressure > 200 bar.



© 2020 BD|SENSORS GmbH – The specifications given in this document represent the state of engineering at the time of publishing. We reserve the right to make modifications to the specifications and materials.

