

Vibrating Switches

SITRANS LVL200S
RELAY (DPDT)

Operating Instructions • 11/2016



SITRANS

SIEMENS

Safety Guidelines: Warning notices must be observed to ensure personal safety as well as that of others, and to protect the product and the connected equipment. These warning notices are accompanied by a clarification of the level of caution to be observed.

Qualified Personnel: This device/system may only be set up and operated in conjunction with this manual. Qualified personnel are only authorized to install and operate this equipment in accordance with established safety practices and standards.

Unit Repair and Excluded Liability:

- The user is responsible for all changes and repairs made to the device by the user or the user's agent.
- All new components are to be provided by Siemens.
- Restrict repair to faulty components only.
- Do not reuse faulty components.

Warning: Cardboard shipping package provides limited humidity and moisture protection. This product can only function properly and safely if it is correctly transported, stored, installed, set up, operated, and maintained.

This product is intended for use in industrial areas. Operation of this equipment in a residential area may cause interference to several frequency based communications.

Note: Always use product in accordance with specifications.

Copyright Siemens AG 2015. All Rights Reserved	Disclaimer of Liability
This document is available in bound version and in electronic version. We encourage users to purchase authorized bound manuals, or to view electronic versions as designed and authored by Siemens. Siemens will not be responsible for the contents of partial or whole reproductions of either bound or electronic versions.	While we have verified the contents of this manual for agreement with the instrumentation described, variations remain possible. Thus we cannot guarantee full agreement. The contents of this manual are regularly reviewed and corrections are included in subsequent editions. We welcome all suggestions for improvement. Technical data subject to change.

Contact Siemens Technical Publications at the following address:

Technical Publications
Siemens Canada Limited
PD PA PI LW
1954 Technology Drive, P.O. Box 4225
Peterborough, Ontario, Canada, K9J 7B1
Email: techpubs.smpi@siemens.com

European Authorized Representative

Siemens AG
Industry Sector
76181 Karlsruhe
Deutschland

- For a selection of Siemens level measurement manuals, go to: **www.siemens.com/processautomation**. Under Process Instrumentation, select *Level Measurement* and then go to the manual archive listed under the product family.
- For a selection of Siemens weighing manuals, go to: **www.siemens.com/processautomation**. Under Weighing Technology, select *Continuous Weighing Systems* and then go to the manual archive listed under the product family.

Contents

1	About this document	
1.1	Function	5
1.2	Target group	5
1.3	Symbols used.....	5
2	For your safety	
2.1	Authorised personnel	6
2.2	Appropriate use.....	6
2.3	Warning about incorrect use.....	6
2.4	General safety instructions	6
2.5	Safety label on the instrument	7
2.6	EU conformity.....	7
2.7	SIL conformity	7
2.8	Safety instructions for Ex areas	7
3	Product description	
3.1	Configuration.....	8
3.2	Principle of operation.....	8
3.3	Adjustment	9
3.4	Storage and transport.....	9
3.5	Accessories.....	10
4	Mounting	
4.1	General instructions	11
4.2	Mounting instructions	14
5	Connecting to power supply	
5.1	Preparing the connection	16
5.2	Connection procedure.....	16
5.3	Wiring plan, single chamber housing.....	17
6	Setup	
6.1	General information.....	19
6.2	Adjustment elements.....	19
6.3	Function table.....	20
7	Maintenance and fault rectification	
7.1	Maintenance	22
7.2	Rectify faults.....	22
7.3	Exchanging the electronics	23
7.4	How to proceed if a repair is necessary.....	23
8	Dismount	
8.1	Dismounting steps.....	24
8.2	Disposal	24
9	Supplement	
9.1	Technical data	25
9.2	Dimensions	32
9.3	Trademark.....	35



Safety instructions for Ex areas

Take note of the Ex specific safety instructions for Ex applications. These instructions are attached as documents to each instrument with Ex approval and are part of the operating instructions manual.

Editing status: 2016-11-18

1 About this document

1.1 Function

This operating instructions manual provides all the information you need for mounting, connection and setup as well as important instructions for maintenance and fault rectification. Please read this information before putting the instrument into operation and keep this manual accessible in the immediate vicinity of the device.

1.2 Target group

This operating instructions manual is directed to trained specialist personnel. The contents of this manual should be made available to these personnel and put into practice by them.

1.3 Symbols used



Information, tip, note

This symbol indicates helpful additional information.



Caution: If this warning is ignored, faults or malfunctions can result.



Warning: If this warning is ignored, injury to persons and/or serious damage to the instrument can result.



Danger: If this warning is ignored, serious injury to persons and/or destruction of the instrument can result.



Ex applications

This symbol indicates special instructions for Ex applications.



SIL applications

This symbol indicates instructions for functional safety which must be taken into account particularly for safety-relevant applications.



List

The dot set in front indicates a list with no implied sequence.



Action

This arrow indicates a single action.



Sequence of actions

Numbers set in front indicate successive steps in a procedure.



Battery disposal

This symbol indicates special information about the disposal of batteries and accumulators.

2 For your safety

2.1 Authorised personnel

All operations described in this operating instructions manual must be carried out only by trained specialist personnel authorised by the plant operator.

During work on and with the device the required personal protective equipment must always be worn.

2.2 Appropriate use

The SITRANS LVL200S is a sensor for point level detection.

You can find detailed information about the area of application in chapter "*Product description*".

Operational reliability is ensured only if the instrument is properly used according to the specifications in the operating instructions manual as well as possible supplementary instructions.

For safety and warranty reasons, any invasive work on the device beyond that described in the operating instructions manual may be carried out only by personnel authorised by the manufacturer. Arbitrary conversions or modifications are explicitly forbidden.

2.3 Warning about incorrect use

Inappropriate or incorrect use of the instrument can give rise to application-specific hazards, e.g. vessel overfill or damage to system components through incorrect mounting or adjustment.

2.4 General safety instructions

This is a state-of-the-art instrument complying with all prevailing regulations and guidelines. The instrument must only be operated in a technically flawless and reliable condition. The operator is responsible for the trouble-free operation of the instrument.

During the entire duration of use, the user is obliged to determine the compliance of the necessary occupational safety measures with the current valid rules and regulations and also take note of new regulations.

The safety instructions in this operating instructions manual, the national installation standards as well as the valid safety regulations and accident prevention rules must be observed by the user.

For safety and warranty reasons, any invasive work on the device beyond that described in the operating instructions manual may be carried out only by personnel authorised by the manufacturer. Arbitrary conversions or modifications are explicitly forbidden.

The safety approval markings and safety tips on the device must also be observed.

2.5 Safety label on the instrument

The safety approval markings and safety tips on the device must be observed.

2.6 EU conformity

The device fulfils the legal requirements of the applicable EU guidelines. By affixing the CE marking, we confirm successful testing of the product.

2.7 SIL conformity

SITRANS LVL200S fulfils the requirements to functional safety according to IEC 61508 or IEC 61511. You find further information in the Safety Manual "*SITRANS LVL200*".

2.8 Safety instructions for Ex areas

Please note the Ex-specific safety information for installation and operation in Ex areas. These safety instructions are part of the operating instructions manual and come with the Ex-approved instruments.

3 Product description

3.1 Configuration

Scope of delivery

The scope of delivery encompasses:

- SITRANS LVL200S point level switch
- Documentation
 - This operating instructions manual
 - Safety Manual "*Functional safety (SIL)*" (optional)
 - Ex-specific "*Safety instructions*" (with Ex versions)
 - If necessary, further certificates

Constituent parts

The SITRANS LVL200S consists of the components:

- Housing lid
- Housing with electronics
- Process fitting with tuning fork

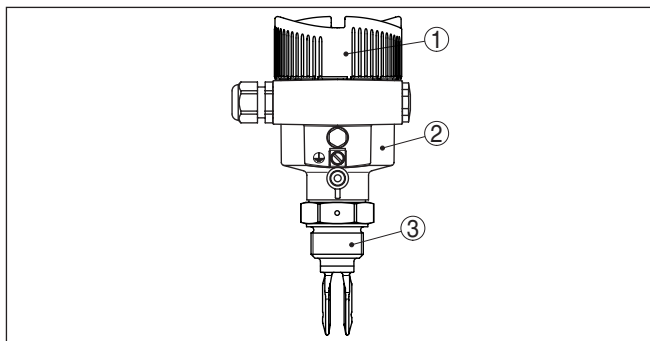


Fig. 1: SITRANS LVL200S

- 1 Housing lid
- 2 Housing with electronics
- 3 Process fitting

Type label

The type label contains the most important data for identification and use of the instrument:

- Article number
- Serial number
- Technical data
- Article numbers, documentation
- SIL identification (with SIL rating ex works)

3.2 Principle of operation

Application area

SITRANS LVL200S is a point level sensor with tuning fork for point level detection.

It is designed for industrial use in all areas of process technology and can be used in liquids.

Typical applications are overflow and dry run protection. With its tuning fork of only 40 mm length, SITRANS LVL200S can also be mounted

e.g. in pipelines from DN 32. The small tuning fork allows use in vessels, tanks and pipes. Thanks to its simple and robust measuring system, SITRANS LVL200S is virtually unaffected by the chemical and physical properties of the liquid.

It functions even under difficult conditions such as turbulence, air bubbles, foam generation, buildup, strong external vibration or changing products.

Function monitoring

The electronics module of SITRANS LVL200S continuously monitors the following criteria via frequency evaluation:

- Strong corrosion or damage on the tuning fork
- Loss of vibration
- Line break to the piezo drive

If a malfunction is detected or in case of power failure, the electronics takes on a defined switching condition, i.e. the relay deenergises (safe state).

Functional principle

The tuning fork is piezoelectrically energised and vibrates at its mechanical resonance frequency of approx. 1200 Hz. The piezos are fixed mechanically and are hence not subject to temperature shock limitations. The frequency changes when the tuning fork is covered by the medium. This change is detected by the integrated electronics module and converted into a switching command.

Voltage supply

SITRANS LVL200S is a compact instrument, i.e. it can be operated without external evaluation system. The integrated electronics evaluates the level signal and outputs a switching signal. With this switching signal, a connected device can be operated directly (e.g. a warning system, a pump etc.).

The data for power supply are specified in chapter "*Technical data*".

3.3 Adjustment

With the factory setting, products with a density $\geq 0.7 \text{ g/cm}^3$ (0.025 lbs/in³) can be detected. The instrument can be adapted to products with lower density.

On the electronics module you will find the following display and adjustment elements:

- Signal lamp for indication of the switching condition (green/red)
- DIL switch for sensitivity adjustment
- Mode adjustment for selection of the switching condition (A/B)

3.4 Storage and transport

Your instrument was protected by packaging during transport. Its capacity to handle normal loads during transport is assured by a test based on ISO 4180.

The packaging of standard instruments consists of environment-friendly, recyclable carton material. The sensing element is additionally protected with a cardboard cover. For special versions, PE foam or

Packaging

PE foil is also used. Please dispose of the packaging material through specialised recycling companies.

Transport

Transport must be carried out in due consideration of the notes on the transport packaging. Nonobservance of these instructions can cause damage to the device.

Transport inspection

The delivery must be checked for completeness and possible transit damage immediately at receipt. Ascertained transit damage or concealed defects must be appropriately dealt with.

Storage

Up to the time of installation, the packages must be left closed and stored according to the orientation and storage markings on the outside.

Unless otherwise indicated, the packages must be stored only under the following conditions:

- Not in the open
- Dry and dust free
- Not exposed to corrosive media
- Protected against solar radiation
- Avoiding mechanical shock and vibration

Storage and transport temperature

- Storage and transport temperature see chapter "*Supplement - Technical data - Ambient conditions*"
- Relative humidity 20 ... 85 %

3.5 Accessories

Flanges

Screwed flanges are available in different versions according to the following standards: DIN 2501, EN 1092-1, BS 10, ASME B 16.5, JIS B 2210-1984, GOST 12821-80.

You can find additional information in the supplementary instructions manual "*Flanges according to DIN-EN-ASME-JIS*".

Electronics module

The electronics module SW E60 is a replacement part for level switches SITRANS LVL200S.

You can find information in the operating instructions manual of the electronics module.

Plug connector

For connecting the sensors with a separator to voltage supply or signal processing, the sensors are also available with plug connectors.

The following plug connectors are available:

- M12 x 1
- ISO 4400
- Harting HAN 7D
- Harting HAN 8D
- Amphenol-Tuchel

4 Mounting

4.1 General instructions

Suitability for the process conditions

Make sure that all parts of the instrument coming in direct contact with the process, especially the sensor element, process seal and process fitting, are suitable for the existing process conditions, such as process pressure, process temperature as well as the chemical properties of the medium.

You can find the specifications in chapter "*Technical data*" and on the nameplate.

Switching point

In general, SITRANS LVL200S can be installed in any position. The instrument only has to be mounted in such a way that the tuning fork is at the height of the desired switching point.

The tuning fork has lateral markings (notches) that indicate the switching point with vertical mounting. The switching point applies to water in conjunction with the basic setting of the density switch $\geq 0.7 \text{ g/cm}^3$ (0.025 lbs/in^3). When mounting SITRANS LVL200S, make sure that this marking is at the height of the requested switching point. Keep in mind that the switching point of the instrument will shift if the medium has a density other than water - water is 1 g/cm^3 (0.036 lbs/in^3). For products $\leq 0.7 \text{ g/cm}^3$ (0.025 lbs/in^3) and $\geq 0.5 \text{ g/cm}^3$ (0.018 lbs/in^3) the density switch must be set to $\geq 0.5 \text{ g/cm}^3$.

Keep in mind that foams with a density $\geq 0.45 \text{ g/cm}^3$ (0.016 lbs/in^3) are detected by the sensor. This can lead to erroneous switchings, particularly when the sensor is used for dry run protection.

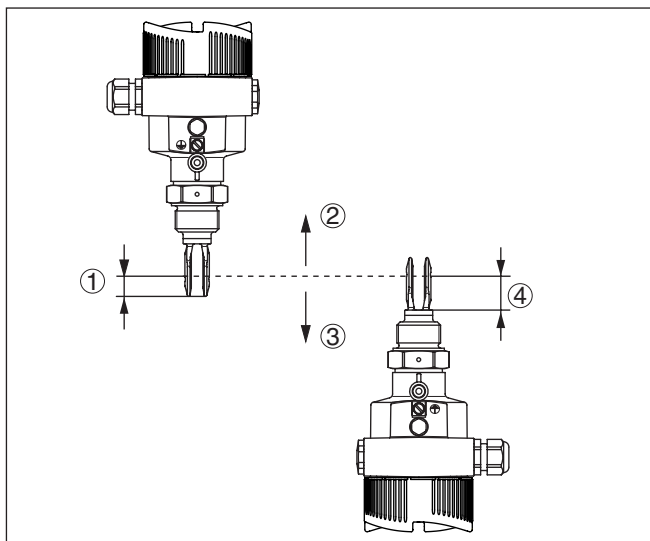


Fig. 2: Vertical mounting

- 1 Switching point approx. 13 mm (0.51 in)
- 2 Switching point with lower density
- 3 Switching point with higher density
- 4 Switching point approx. 27 mm (1.06 in)

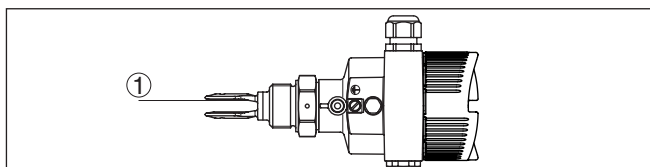


Fig. 3: Horizontal mounting

- 1 Switching point

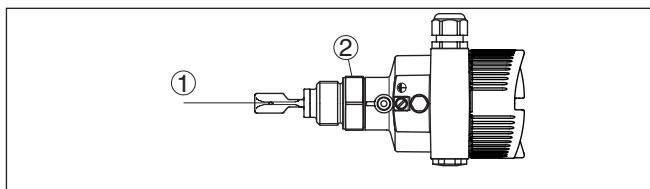


Fig. 4: Horizontal installation (recommended mounting position, particularly for adhesive products)

- 1 Switching point
- 2 Marking with screwed version, facing up

In the case of flange versions, the fork is aligned as follows.

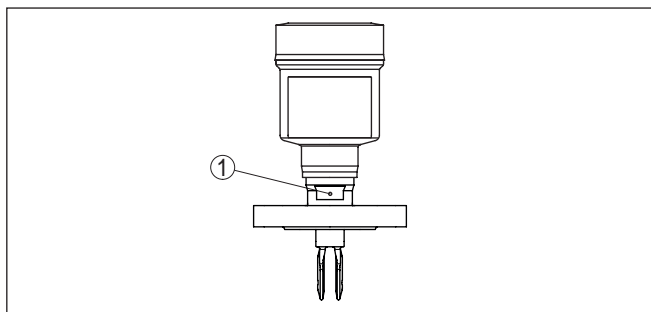


Fig. 5: Fork position with flange versions

1 Marking with flange version, facing up

Moisture

Use the recommended cables (see chapter "Connecting to power supply") and tighten the cable gland.

You can give your instrument additional protection against moisture penetration by leading the connection cable downward in front of the cable entry. Rain and condensation water can thus drain off. This applies mainly to outdoor mounting as well as installation in areas where high humidity is expected (e.g. through cleaning processes) or on cooled or heated vessels.

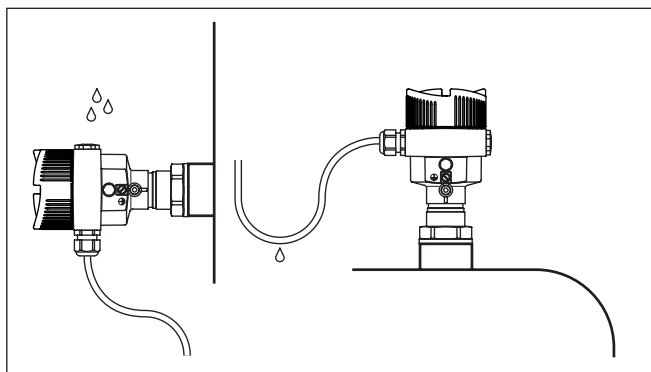


Fig. 6: Measures against moisture ingress

Transport



Caution:

Do not hold SITRANS LVL200S on the tuning fork. Particularly with flange or tube versions, the tuning fork can be damaged just by the weight of the instrument. Transport coated instruments very carefully and avoid touching the tuning fork.

Remove the packaging or the protective cover just before installation.

Pressure/Vacuum

The process fitting must be sealed if there is gauge or low pressure in the vessel. Before use, check if the seal material is resistant against the measured product and the process temperature.

The max. permissible pressure is specified in chapter "*Technical data*" or on the type label of the sensor.

Handling

The vibrating level switch is a measuring instrument and must be treated accordingly. Bending the vibrating element will destroy the instrument.



Warning:

The housing must not be used to screw the instrument in! Applying tightening force can damage internal parts of the housing.

Use the hexagon above the thread for screwing in.

Cable entries - NPT thread Cable glands

Metric threads

In the case of instrument housings with metric thread, the cable glands are screwed in at the factory. They are sealed with plastic plugs as transport protection.

You have to remove these plugs before electrical connection.

NPT thread

In the case of instrument housings with self-sealing NPT threads, it is not possible to have the cable entries screwed in at the factory. The free openings for the cable glands are therefore covered with red dust protection caps as transport protection.

Prior to setup you have to replace these protective caps with approved cable glands or close the openings with suitable blind plugs.

4.2 Mounting instructions

Welded socket

SITRANS LVL200S has a defined thread starting point. This means that every SITRANS LVL200S is in the same fork position after being screwed in. Remove therefore the supplied seal from the thread of SITRANS LVL200S. This seal is not required when using a welded socket with O-ring in front.

Keep in mind that this welded socket is not suitable for coated instrument versions.

Screw SITRANS LVL200S completely into the welded socket. The later position can be determined already before welding. Mark the appropriate position of the welded socket. Before welding, unscrew SITRANS LVL200S and remove the rubber ring from the welded socket. The welded socket has a marking (notch). Weld the socket with the notch facing upward, or in case of pipelines (DN 32 up to DN 50), aligned with the direction of flow.

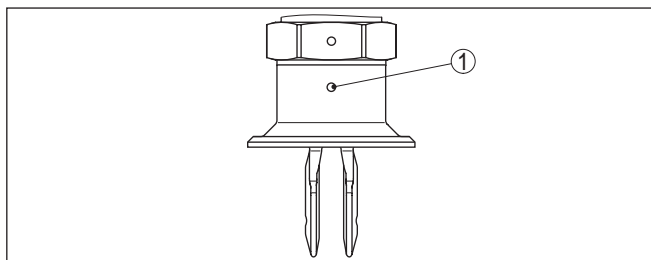


Fig. 7: Marking on the welded socket

1 Marking

Adhesive products

In case of horizontal mounting in adhesive and viscous products, the surfaces of the tuning fork should be vertical in order to reduce buildup on the tuning fork. On the screwed version you will find a marking on the hexagon. With this you can check the position of the tuning fork when screwing it in. When the hexagon touches the seal, the thread can still be turned by approx. half a turn. This is sufficient to reach the recommended installation position.

In the case of flange versions, the fork is aligned with the flange holes. When used in adhesive and viscous products, the tuning fork should protrude into the vessel to avoid buildup. For that reason, sockets for flanges and mounting bosses should be avoided when mounting horizontally.

Inflowing medium

If SITRANS LVL200S is mounted in the filling stream, unwanted false measurement signals can be generated. For this reason, mount SITRANS LVL200S at a position in the vessel where no disturbances, e.g. from filling openings, agitators, etc., can occur.

Product flow

To make sure the tuning fork of SITRANS LVL200S generates as little resistance as possible to product flow, mount the sensor so that the surfaces are parallel to the product movement.

Enamel coating

Instruments with enamel coating should be treated very carefully and shocks should be avoided. Unpack SITRANS LVL200S directly before installation. Insert SITRANS LVL200S carefully into the vessel opening and avoid touching any sharp vessel parts.

Gas-tight leadthrough

The second seal of the gas-tight leadthrough (option) prevents an uncontrolled leakage of the medium. The service life of the gas-tight leadthrough depends on the chemical resistance of the materials. See "Technical data".



Caution:

If it is determined (e.g. via an error message from SITRANS LVL200S) that medium has already penetrated into the vibrating element, the instrument must be exchanged immediately.

5 Connecting to power supply

5.1 Preparing the connection

Note safety instructions

Always keep in mind the following safety instructions:



Warning:

Connect only in the complete absence of line voltage.

- The electrical connection must only be carried out by trained personnel authorised by the plant operator.
- Always switch off power supply, before connecting or disconnecting the instrument.



Note:

Install a separating facility for the instrument which is easy to access. The separating facility must be marked for the instrument (IEC/EN 61010).

Take note of safety instructions for Ex applications



In hazardous areas you must take note of the respective regulations, conformity and type approval certificates of the sensors and power supply units.

Voltage supply

Connect the voltage supply according to the connection diagrams. The electronics module with relay output is designed in protection class I. To maintain this protection class, it is absolutely necessary that the earth conductor be connected to the inner earth conductor terminal. Keep the general installation regulations in mind. Take note of the corresponding installation regulations for hazardous areas with Ex applications.

The data for power supply are specified in chapter "*Technical data*".

Connection cable

The instrument is connected with standard three-wire cable without screen. If electromagnetic interference is expected which is above the test values of EN 61326 for industrial areas, screened cable should be used.

Use cable with round cross-section. A cable outer diameter of 5 ... 9 mm (0.2 ... 0.35 in) ensures the seal effect of the cable gland. If you are using cable with a different diameter or cross-section, exchange the seal or use a suitable cable gland.



In hazardous areas, use only approved cable connections for SITRANS LVL200S.

Connection cable for Ex applications



Take note of the corresponding installation regulations for Ex applications.

Cover all housing openings conforming to standard according to EN 60079-1.

5.2 Connection procedure



With Ex instruments, the housing cover may only be opened if there is no explosive atmosphere present.

Proceed as follows:

1. Unscrew the housing lid
 2. Loosen compression nut of the cable gland and remove blind plug
 3. Remove approx. 10 cm (4 in) of the cable mantle, strip approx. 1 cm (0.4 in) of insulation from the ends of the individual wires
 4. Insert the cable into the sensor through the cable entry
 5. Open the terminals with a screwdriver
 6. Insert the wire ends into the open terminals according to the wiring plan
 7. Tighten the terminals with a screwdriver
 8. Check the hold of the wires in the terminals by lightly pulling on them
 9. Tighten the compression nut of the cable entry gland. The seal ring must completely encircle the cable
 10. Screw the housing lid back on
- The electrical connection is finished.

5.3 Wiring plan, single chamber housing



The following illustrations apply to the non-Ex as well as to the Ex-d version.

Electronics and terminal compartment

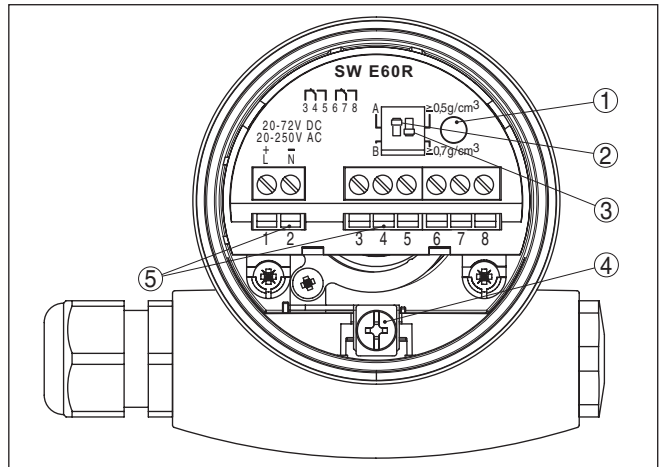


Fig. 8: Electronics and terminal compartment, single chamber housing

- 1 Control lamp
- 2 DIL switch for mode adjustment
- 3 DIL switch for switching point adaptation
- 4 Ground terminal
- 5 Connection terminals

Wiring plan

We recommend connecting SITRANS LVL200S in such a way that the switching circuit is open when there is a level signal, line break or failure (safe state).



Information:

The relays are always shown in non-operative condition.

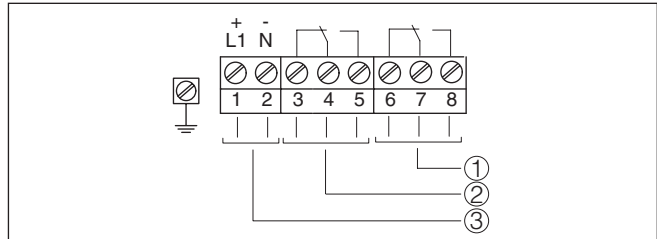


Fig. 9: Wiring plan, single chamber housing

- 1 Relay output
- 2 Relay output
- 3 Voltage supply

6 Setup

6.1 General information

The figures in brackets refer to the following illustrations.

Function/Configuration

In the basic setting, products with a density $\geq 0.7 \text{ g/cm}^3$ (0.025 lbs/in³) can be detected. For products with lower density, you have to set the switch to $\geq 0.5 \text{ g/cm}^3$ (0.018 lbs/in³).

On the electronics module you will find the following display and adjustment elements:

- Control lamp for indication of the switching condition (1)
- DIL switch for mode adjustment - A/B (2)
- DIL switch for sensitivity adjustment (3)



Note:

Always immerse the tuning fork of SITRANS LVL200S in a liquid to test its function. Do not test the function of SITRANS LVL200S with your hand. This can damage the sensor.

6.2 Adjustment elements

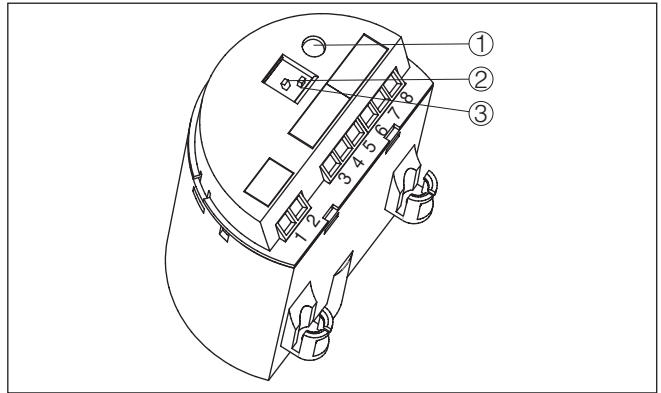


Fig. 10: Oscillator SWE60R - Relay output

- 1 Control lamp (LED)
- 2 DIL switch for mode adjustment
- 3 DIL switch for sensitivity adjustment

Signal lamp (1)

Control lamp for indication of the switching status

- green = relay energized
- red = relay deenergized
- red (flashing) = failure

Mode adjustment (2)

With the mode adjustment (A/B) you can change the switching condition of the relay. You can set the required mode according to the "Function table" (A - max. detection or overflow protection, B - min. detection or dry run protection).

Sensitivity adjustment (3) With this DIL switch (3) you can set the switching point to liquids having a density between 0.5 and 0.7 g/cm³ (0.018 and 0.025 lbs/in³). With the basic setting, liquids with a density of ≥ 0.7 g/cm³ (0.025 lbs/in³) can be detected. In liquids with lower density, you must set the switch to ≥ 0.5 g/cm³ (0.018 lbs/in³). The specifications for the position of the switching point relate to water - density value 1 g/cm³ (0.036 lbs/in³). In products with a different density, the switching point will shift in the direction of the housing or tuning fork end depending on the density and type of installation.



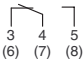

Note:

Keep in mind that foams with a density ≥ 0.45 g/cm³ (0.016 lbs/in³) are detected by the sensor. This can lead to erroneous switchings, particularly when the sensor is used for dry run protection.

6.3 Function table

The following table provides an overview of the switching conditions depending on the set mode and the level.

	Level	Switching status	Control lamp
Mode A Overflow protection		 3 4 5 (6) (7) (8)	 Green
Mode A Overflow protection		 3 4 5 (6) (7) (8)	 Red
Mode B Dry run protection		 3 4 5 (6) (7) (8)	 Green
Mode B Dry run protection		 3 4 5 (6) (7) (8)	 Red
Failure of the supply voltage (mode A/B)	any	 3 4 5 (6) (7) (8)	 Off

	Level	Switching status	Control lamp
Fault	any	 Relay deenergized	 flashes red

7 Maintenance and fault rectification

7.1 Maintenance

If the instrument is used properly, no special maintenance is required in normal operation.

7.2 Rectify faults

Reaction when malfunction occurs

The operator of the system is responsible for taking suitable measures to rectify faults.

Causes of malfunction

SITRANS LVL200S offers maximum reliability. Nevertheless, faults can occur during operation. These may be caused by the following, e.g.:

- Sensor
- Process
- Voltage supply
- Signal processing

Fault rectification

The first measure to take is to check the output signal. In many cases, the causes can be determined this way and the faults quickly rectified.

Checking the switching signal

Error	Reason	Removal
SITRANS LVL200S signals "covered" without being submerged (overflow protection) SITRANS LVL200S signals "uncovered" when being submerged (dry run protection)	Operating voltage too low	Check operating voltage
	Electronics defective	Press the mode switch. If the instrument then changes the mode, the vibrating element may be covered with buildup or mechanically damaged. Should the switching function in the correct mode still be faulty, return the instrument for repair. Press the mode switch. If the instrument then does not change the mode, the electronics module may be defective. Exchange the electronics module.
	Unfavourable installation location	Mount the instrument at a location in the vessel where no dead zones or air bubbles can form.
	Buildup on the vibrating element	Check the vibrating element and the sensor for buildup and remove the buildup if there is any.
	Wrong mode selected	Set the correct mode with the mode switch (overflow protection, dry run protection). Wiring should be carried out according to the closed-circuit principle.

Error	Reason	Removal
Signal lamp flashes red	Error on the vibrating element	Check if the vibrating element is damaged or extremely corroded.
	Interference on the electronics module	Exchanging the electronics module
	instrument defective	Exchange the instrument or send it in for repair

Reaction after fault rectification

Depending on the reason for the fault and the measures taken, the steps described in chapter "Set up" may have to be carried out again.

7.3 Exchanging the electronics

If the electronics module is defective, it can be replaced by the user.



In Ex applications only an electronics module with respective Ex approval may be used.

You can find all the information you need to carry out an electronics exchange in the handbook of the new electronics module.

In general, all electronics modules of series SW60 can be interchanged. If you want to use an electronics module with a different signal output, you carry out the complete setup. You find the necessary, suitable operating instruction on our homepage.



Note:

Keep in mind that enamelled instrument versions need special electronics modules. These electronics modules are called SW60E or SW60E1.

7.4 How to proceed if a repair is necessary

If it is necessary to repair the instrument, please contact Siemens Milltronics Process Instruments Inc. You find the locations on our homepage "www.siemens.com/processautomation".

8 Dismount

8.1 Dismounting steps



Warning:

Before dismounting, be aware of dangerous process conditions such as e.g. pressure in the vessel, high temperatures, corrosive or toxic products etc.

Take note of chapters "*Mounting*" and "*Connecting to power supply*" and carry out the listed steps in reverse order.



With Ex instruments, the housing cover may only be opened if there is no explosive atmosphere present.

8.2 Disposal

The instrument consists of materials which can be recycled by specialised recycling companies. We use recyclable materials and have designed the parts to be easily separable.

WEEE directive 2002/96/EG

This instrument is not subject to the WEEE directive 2002/96/EG and the respective national laws. Pass the instrument directly on to a specialised recycling company and do not use the municipal collecting points. These may be used only for privately used products according to the WEEE directive.

Correct disposal avoids negative effects on humans and the environment and ensures recycling of useful raw materials.

Materials: see chapter "*Technical data*"

If you have no way to dispose of the old instrument properly, please contact us concerning return and disposal.

9 Supplement

9.1 Technical data

Note for approved instruments

The technical data in the respective safety instructions are valid for approved instruments (e.g. with Ex approval). These data can differ from the data listed herein, for example regarding the process conditions or the voltage supply.

General data

Material 316L corresponds to 1.4404 or 1.4435

Materials, wetted parts

- Process fitting - thread 316L, Alloy C22 (2.4602)
- Process fitting - flange 316L, 316L with Alloy C22 (2.4602) coating, steel enamelled, 316L with ECTFE coating, 316L with PFA coating
- Process seal Klingersil C-4400
- Tuning fork 316L, Alloy C22 (2.4602), Alloy C4 (2.4610) enamelled
- Extension tube: \varnothing 21.3 mm (0.839 in) 316L, Alloy C22 (2.4602), Alloy C22 (2.4602) enamelled, 316L with ECTFE coating, 316L with PFA coating

Sensor length

- Length SITRANS LVL200S See chapter "*Dimensions*"

Materials, non-wetted parts

- Aluminium die-cast housing Aluminium die-casting AlSi10Mg, powder-coated - basis: Polyester
- Stainless steel housing, electropolished 316L
- Seal between housing and housing lid Silicone SI 850 R, NBR silicone-free
- Ground terminal 316L
- Cable gland PA, stainless steel, brass
- Sealing, cable gland NBR
- Blind plug, cable gland PA
- Temperature adapter (optional) 316L

Second Line of Defense (optional)¹⁾

- The Second Line of Defense (SLOD) is a second level of the process separation in the form of a gas-tight feedthrough in the lower part of the housing, preventing product from penetrating into the housing.
- Supporting material 316L
- Glass potting Borosilicate glass - Schott no. 8421
- Contacts 1.4101
- Helium leak rate $< 10^{-6}$ mbar l/s

¹⁾ or gas-tight leadthrough

- Pressure resistance	PN 64
Instrument weight (depending on process fitting)	approx. 0.8 ... 4 kg (0.18 ... 8.82 lbs)
Layer thickness	
- Enamel	0.8 mm (0.031 in)
- ECTFE	0.5 mm (0.02 in)
- PFA	0.5 mm (0.02 in)
Surface quality	
- Standard	$R_a < 3 \mu\text{m}$ (1.18 ⁻⁴ in)
- Hygienic version (3A)	$R_a < 0.8 \mu\text{m}$ (3.15 ⁻⁵ in)
- Hygienic version (3A)	$R_a < 0.3 \mu\text{m}$ (1.18 ⁻⁵ in)
Process fittings	
- Pipe thread, cylindrical (DIN 3852-A)	G $\frac{3}{4}$, G1
- American pipe thread, conical (ASME B1.20.1)	$\frac{3}{4}$ NPT, 1 NPT
- Flanges	DIN from DN 25, ASME from 1"
- hygienic fittings	Slotted nut DN 40 PN 40, Clamp 1" DIN 32676 ISO 2852/316L, Clamp 2" DIN 32676 ISO 2852/316L, conus DN 25 PN 40, Tuchenhausen Varivent DN 50 PN 10
Max. torque - process fitting	
- Thread G $\frac{3}{4}$, $\frac{3}{4}$ NPT	75 Nm (55 lbf ft)
- Thread G1, 1 NPT	100 Nm (73 lbf ft)
Torque for NPT cable glands and Conduit tubes	
- Aluminium/Stainless steel housing	max. 50 Nm (36.88 lbf ft)
Gas-tight leadthrough (optional)	
- Leakage rate	$< 10^{-6}$ mbar l/s
- Pressure resistance	PN 64
High voltage test (enamel)	< 5 KV

Output variable

Output	Relay output (DPDT), 2 floating spdts
Switching voltage	
- Min.	10 mV
- Max.	253 V AC, 253 V DC
Switching current	
- Min.	10 μA
- Max.	3 A AC, 1 A DC
Breaking capacity	
- Min.	50 mW

- Max.	750 VA AC, 54 W DC If inductive loads or stronger currents are switched through, the gold plating on the relay contact surface will be permanently damaged. The contact is then no longer suitable for switching low-level signal circuits.
Contact material (relay contacts)	AgNi (Au plated) or AgSnO (Au plated)
Modes (switchable)	
- A	Max. detection or overflow/overflow protection
- B	Min. detection or dry run protection

Accuracy (according to DIN EN 60770-1)

Reference conditions and actuating variables according to DIN EN 61298-1

- Ambient temperature	+18 ... +30 °C (+64 ... +86 °F)
- Relative humidity	45 ... 75 %
- Air pressure	860 ... 1060 mbar/86 ... 106 kPa (12.5 ... 15.4 psig)
- Product temperature	+18 ... +30 °C (+64 ... +86 °F)
- Product density	1 g/cm ³ (0.036 lbs/in ³) (water)
- Product viscosity	1 mPa s
- Superimposed pressure	0 kPa
- Sensor installation	Vertically from top
- Density selection switch	≥ 0.7 g/cm ³

Measuring accuracy

Deviation ± 1 mm (0.04 in)

Influence of the process temperature on the switching point

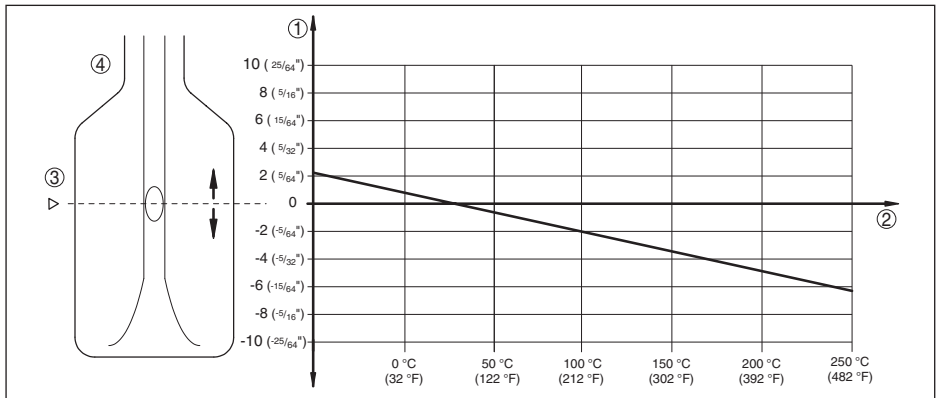


Fig. 27: Influence of the process temperature on the switching point

- 1 Shifting of the switching point in mm (in)
- 2 Process temperature in °C (°F)
- 3 Switching point at reference conditions (notch)
- 4 Tuning fork

Influence of the product density on the switching point

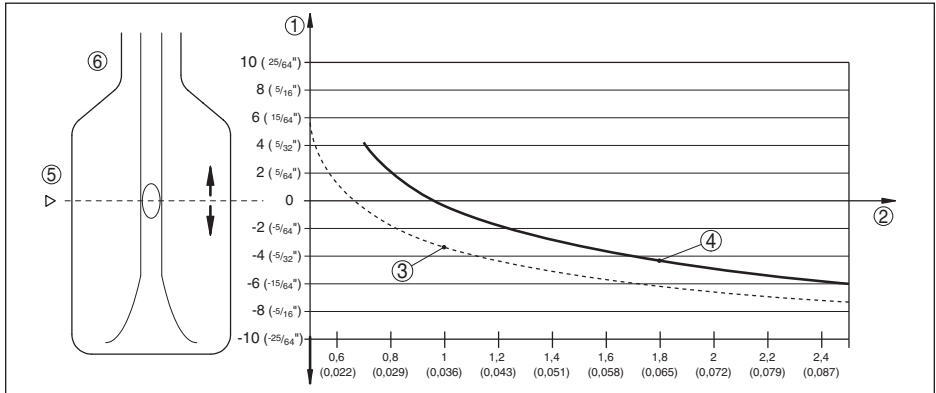


Fig. 28: Influence of the product density on the switching point

- 1 Shifting of the switching point in mm (in)
- 2 Product density in g/cm^3 (lb/in^3)
- 3 Switch position $\geq 0.5 \text{ g/cm}^3$ (0.018 lb/in^3)
- 4 Switch position $\geq 0.7 \text{ g/cm}^3$ (0.025 lb/in^3)
- 5 Switching point at reference conditions (notch)
- 6 Tuning fork

Influence of the process pressure to the switching point

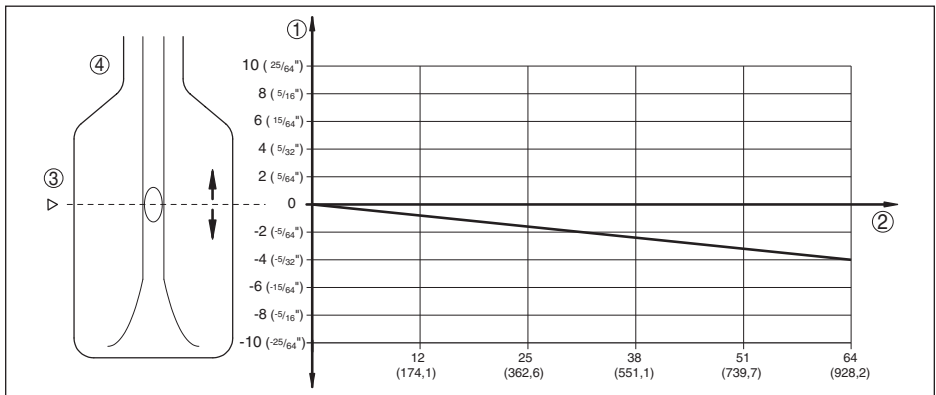


Fig. 29: Influence of the process pressure to the switching point

- 1 Shifting of the switching point in mm (in)
- 2 Process pressure in bar (psig)
- 3 Switching point at reference conditions (notch)
- 4 Tuning fork

Repeatability	0.1 mm (0.004 in)
Hysteresis	approx. 2 mm (0.08 in) with vertical installation
Switching delay	approx. 500 ms (on/off)
Measuring frequency	approx. 1200 Hz

Ambient conditions

Ambient temperature on the housing	-40 ... +70 °C (-40 ... +158 °F)
Storage and transport temperature	-40 ... +80 °C (-40 ... +176 °F)

Process conditions

Measured variable	Limit level of liquids
Process pressure	-1 ... 64 bar/-100 ... 6400 kPa (-14.5 ... 928 psig) The process pressure is dependent on the process fitting, for example Clam p or flange (see the following diagrams)
Maximum allowable operating pressure	100 bar/10000 kPa (1450 psig) or 1.5 times process pressure The function of the instrument is ensured up to an operating pressure of 100 bar/10000 kPa (1450 psig) at a maximum process temperature of +50 °C (+122 °F) (only with threaded versions).

Process temperature (thread or flange temperature)

- SITRANS LVL200S of 316L/Alloy C22 -50 ... +150 °C (-58 ... +302 °F) (2.4602)

Process temperature (thread or flange temperature) with temperature adapter (option)

- SITRANS LVL200S of 316L/Alloy C22 -50 ... +250 °C (-58 ... +482 °F) (2.4602)
- SITRANS LVL200S enamelled -50 ... +200 °C (-58 ... +392 °F)
- SITRANS LVL200S with ECTFE coating -50 ... +150 °C (-58 ... +302 °F)
- SITRANS LVL200S with PFA coating -50 ... +250 °C (-58 ... +482 °F)

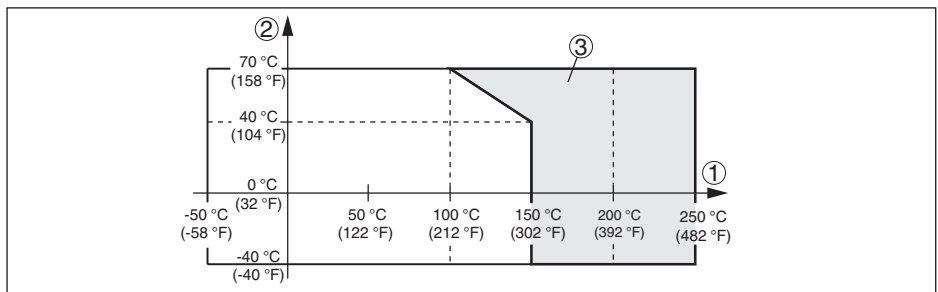


Fig. 30: Ambient temperature - Process temperature

- 1 Process temperature in °C (°F)
- 2 Ambient temperature in °C (°F)
- 3 Temperature range with temperature adapter

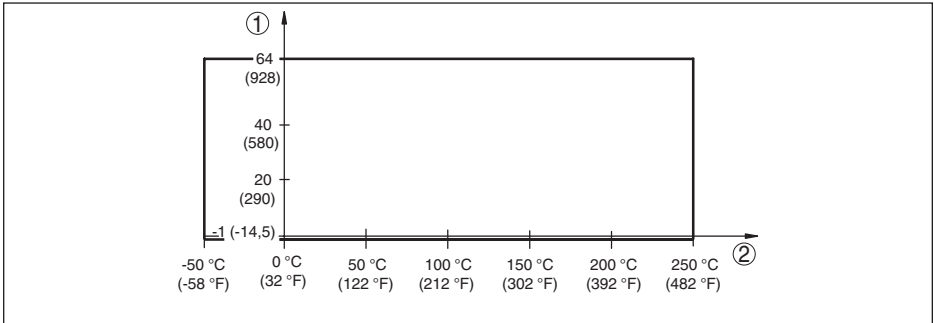


Fig. 31: Process temperature - Process pressure with switch position $\geq 0.7 \text{ g/cm}^3$ (sensitivity switch)

- 1 Process pressure in bar (psig)
- 2 Process temperature in °C (°F)

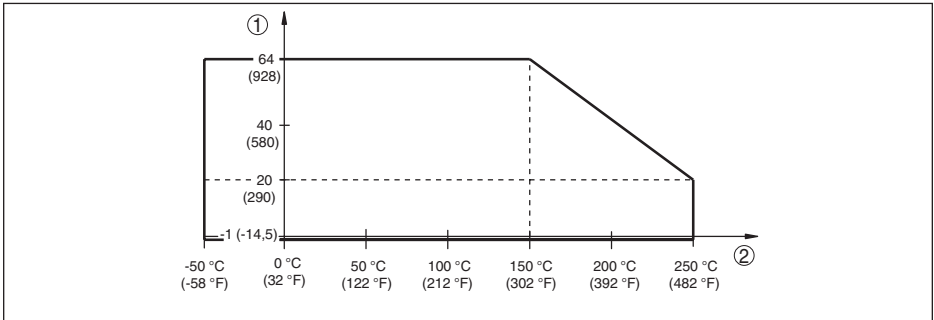


Fig. 32: Process temperature - Process pressure with switch position $\geq 0.5 \text{ g/cm}^3$ (sensitivity switch)

- 1 Process pressure in bar (psig)
- 2 Process temperature in °C (°F)

Viscosity - dynamic	0.1 ... 10000 mPa s (requirement: with density 1)
Flow velocity	max. 6 m/s (with a viscosity of 10000 mPa s)
Density	0.7 ... 2.5 g/cm ³ (0.025 ... 0.09 lbs/in ³); 0.5 ... 2.5 g/cm ³ (0.018 ... 0.09 lbs/in ³) by switching over
Vibration resistance	
– Instrument housing	1 g at 5 ... 200 Hz according to EN 60068-2-6 (vibration with resonance)
– Sensor	1 g with 5 ... 200 Hz according EN 60068-2-6 (vibration at resonance) with sensor length up to 50 cm (19.69 in)

Electromechanical data

Cable entry/plug (dependent on the version)

- Single chamber housing
 - 1 x cable entry M20 x 1.5 (cable: \varnothing 5 ... 9 mm),
1 x blind plug M20 x 1.5; attached 1 x cable entry
M20 x 1.5
 - or:
 - 1 x cable entry $\frac{1}{2}$ NPT, 1 x blind plug $\frac{1}{2}$ NPT, 1 x cable
entry $\frac{1}{2}$ NPT
 - or:
 - 1 x plug M12 x 1; 1 x blind plug M20 x 1.5
- Screw terminals for wire cross-section up to 1.5 mm² (AWG 16)
-

Adjustment elements

Mode switch

- A Max. detection or overflow/overflow protection
- B Min. detection or dry run protection

Density changeover switch

- ≥ 0.5 g/cm³ 0.5 ... 2.5 g/cm³ (0.018 ... 0.09 lbs/in³)
 - ≥ 0.7 g/cm³ 0.7 ... 2.5 g/cm³ (0.025 ... 0.09 lbs/in³)
-

Voltage supply

- Operating voltage 20 ... 253 V AC, 50/60 Hz, 20 ... 72 V DC (at
U >60 V DC, the ambient temperature can be max.
50 °C/122 °F)
- Power consumption max. 8 VA (AC), 1,5 W (DC)
-

Electrical protective measures

- Protection rating IP 66/IP 67 (NEMA Type 4X)
- Overvoltage category III
- Protection class I
-

Approvals

Depending on the version, instruments with approvals can have different technical data. For these instruments, please note the corresponding approval documents. They are included in the scope of delivery.

9.2 Dimensions

SITRANS LVL200S

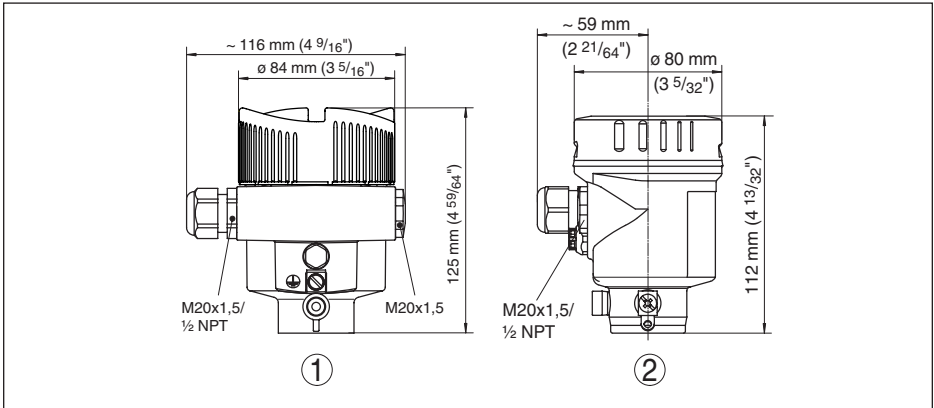


Fig. 33: Housing versions

- 1 Aluminium housing
- 2 Stainless steel housing, electropolished

SITRANS LVL200S

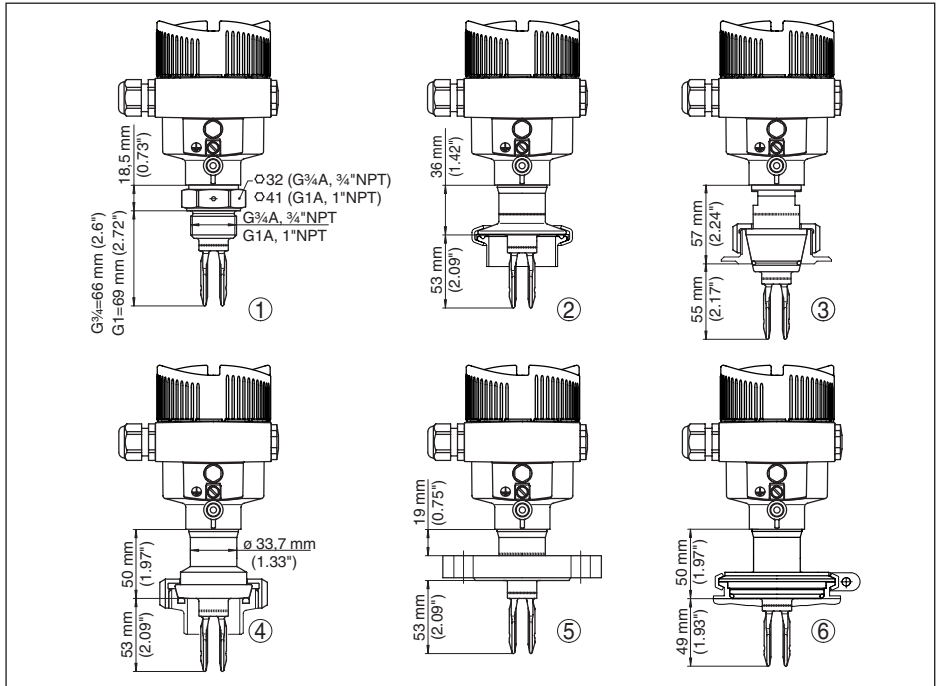


Fig. 34: SITRANS LVL200S

- 1 Thread
- 2 Clamp
- 3 Cone DN 25
- 4 Slotted nut DN 40
- 5 Flange
- 6 Tuchenhagen Varivent

SITRANS LVL200S, options

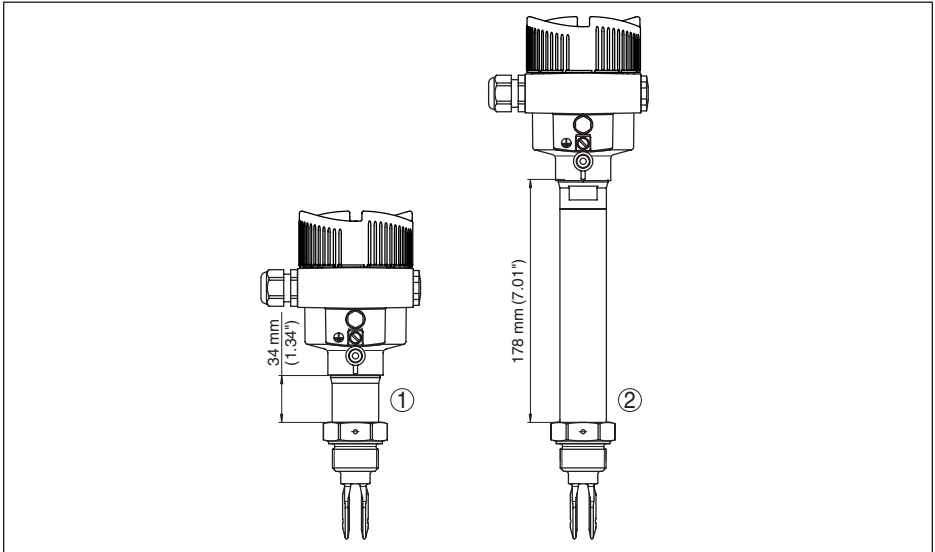


Fig. 35: Options

- 1 Gas-tight leadthrough
- 2 Temperature adapter

9.3 Trademark

All the brands as well as trade and company names used are property of their lawful proprietor/originator.

For more information

www.siemens.com/level

www.siemens.com/weighing



Siemens Canada Limited
PD PA PI LW
1954 Technology Drive
P.O. Box 4225
Peterborough, ON
K9J 7B1, Canada

email: techpubs.smpi@siemens.com

www.siemens.com/processautomation

Subject to change without prior notice
7ML19985KR01 Rev. 0.0

© Siemens AG 2016



7ML19985KR01

Printed in Canada