

Operating Instructions

Pressure transmitter with chemical seal

VEGABAR 81

4 ... 20 mA



Document ID: 45025



VEGA

Contents

1	About this document	4
1.1	Function	4
1.2	Target group	4
1.3	Symbols used.....	4
2	For your safety	5
2.1	Authorised personnel	5
2.2	Appropriate use.....	5
2.3	Warning about incorrect use.....	5
2.4	General safety instructions	5
2.5	EU conformity.....	5
2.6	NAMUR recommendations	6
2.7	Installation and operation in the USA and Canada	6
2.8	Environmental instructions	6
3	Product description	7
3.1	Configuration.....	7
3.2	Principle of operation.....	8
3.3	Supplementary cleaning procedures.....	11
3.4	Packaging, transport and storage.....	11
3.5	Accessories.....	12
4	Mounting	14
4.1	General instructions	14
4.2	Instructions for oxygen applications	15
4.3	Ventilation and pressure compensation.....	16
4.4	Process pressure measurement.....	18
4.5	Level measurement.....	20
4.6	External housing	21
5	Connecting to power supply	22
5.1	Preparing the connection	22
5.2	Connecting.....	23
5.3	Single chamber housing.....	24
5.4	Ex-d-ia double chamber housing.....	25
5.5	Housing IP66/IP68 (1 bar).....	26
5.6	External housing with version IP68 (25 bar)	26
5.7	Switch-on phase.....	28
6	Set up with the display and adjustment module	29
6.1	Insert display and adjustment module	29
6.2	Adjustment system	30
6.3	Measured value indication.....	31
6.4	Parameter adjustment - Quick setup	32
6.5	Parameter adjustment - Extended adjustment.....	32
6.6	Menu overview	44
6.7	Saving the parameterisation data	45
7	Setup with PACTware	47
7.1	Connect the PC.....	47
7.2	Parameter adjustment with PACTware.....	47
7.3	Saving the parameterisation data.....	48

8	Set up with other systems	49
8.1	DD adjustment programs	49
8.2	Field Communicator 375, 475	49
9	Diagnostics and servicing	50
9.1	Maintenance	50
9.2	Diagnosis function	50
9.3	Rectify faults	52
9.4	Exchange process module on version IP68 (25 bar)	53
9.5	Exchanging the electronics module	54
9.6	Software update	54
9.7	How to proceed if a repair is necessary	55
10	Dismount	56
10.1	Dismounting steps	56
10.2	Disposal	56
11	Supplement	57
11.1	Technical data	57
11.2	Chemical seal with vacuum applications	66
11.3	Dimensions	70
11.4	Industrial property rights	78
11.5	Trademark	78



Safety instructions for Ex areas

Take note of the Ex specific safety instructions for Ex applications. These instructions are attached as documents to each instrument with Ex approval and are part of the operating instructions.

Editing status: 2021-03-31

1 About this document

1.1 Function

This instruction provides all the information you need for mounting, connection and setup as well as important instructions for maintenance, fault rectification, the exchange of parts and the safety of the user. Please read this information before putting the instrument into operation and keep this manual accessible in the immediate vicinity of the device.

1.2 Target group

This operating instructions manual is directed to trained personnel. The contents of this manual must be made available to the qualified personnel and implemented.

1.3 Symbols used



Document ID

This symbol on the front page of this instruction refers to the Document ID. By entering the Document ID on www.vega.com you will reach the document download.



Information, note, tip: This symbol indicates helpful additional information and tips for successful work.



Note: This symbol indicates notes to prevent failures, malfunctions, damage to devices or plants.



Caution: Non-observance of the information marked with this symbol may result in personal injury.



Warning: Non-observance of the information marked with this symbol may result in serious or fatal personal injury.



Danger: Non-observance of the information marked with this symbol results in serious or fatal personal injury.



Ex applications

This symbol indicates special instructions for Ex applications.



List

The dot set in front indicates a list with no implied sequence.



Sequence of actions

Numbers set in front indicate successive steps in a procedure.



Battery disposal

This symbol indicates special information about the disposal of batteries and accumulators.

2 For your safety

2.1 Authorised personnel

All operations described in this documentation must be carried out only by trained, qualified personnel authorised by the plant operator.

During work on and with the device, the required personal protective equipment must always be worn.

2.2 Appropriate use

The VEGABAR 81 is a pressure transmitter for process pressure and hydrostatic level measurement.

You can find detailed information about the area of application in chapter " *Product description*".

Operational reliability is ensured only if the instrument is properly used according to the specifications in the operating instructions manual as well as possible supplementary instructions.

2.3 Warning about incorrect use

Inappropriate or incorrect use of this product can give rise to application-specific hazards, e.g. vessel overflow through incorrect mounting or adjustment. Damage to property and persons or environmental contamination can result. Also, the protective characteristics of the instrument can be impaired.

2.4 General safety instructions

This is a state-of-the-art instrument complying with all prevailing regulations and directives. The instrument must only be operated in a technically flawless and reliable condition. The operator is responsible for the trouble-free operation of the instrument. When measuring aggressive or corrosive media that can cause a dangerous situation if the instrument malfunctions, the operator has to implement suitable measures to make sure the instrument is functioning properly.

The safety instructions in this operating instructions manual, the national installation standards as well as the valid safety regulations and accident prevention rules must be observed by the user.

For safety and warranty reasons, any invasive work on the device beyond that described in the operating instructions manual may be carried out only by personnel authorised by the manufacturer. Arbitrary conversions or modifications are explicitly forbidden. For safety reasons, only the accessory specified by the manufacturer must be used.

To avoid any danger, the safety approval markings and safety tips on the device must also be observed.

2.5 EU conformity

The device fulfils the legal requirements of the applicable EU directives. By affixing the CE marking, we confirm the conformity of the instrument with these directives.

The EU conformity declaration can be found on our homepage.

Due to the design of its process fittings, the device does not subject of EU pressure device directive if it is operated at process pressures ≤ 200 bar. ¹⁾

2.6 NAMUR recommendations

NAMUR is the automation technology user association in the process industry in Germany. The published NAMUR recommendations are accepted as the standard in field instrumentation.

The device fulfils the requirements of the following NAMUR recommendations:

- NE 21 – Electromagnetic compatibility of equipment
- NE 43 – Signal level for fault information from measuring transducers
- NE 53 – Compatibility of field devices and display/adjustment components
- NE 107 – Self-monitoring and diagnosis of field devices

For further information see www.namur.de.

2.7 Installation and operation in the USA and Canada

This information is only valid for USA and Canada. Hence the following text is only available in the English language.

Installations in the US shall comply with the relevant requirements of the National Electrical Code (ANSI/NFPA 70).

Installations in Canada shall comply with the relevant requirements of the Canadian Electrical Code

A Class 2 power supply unit has to be used for the installation in the USA and Canada.

2.8 Environmental instructions

Protection of the environment is one of our most important duties. That is why we have introduced an environment management system with the goal of continuously improving company environmental protection. The environment management system is certified according to DIN EN ISO 14001.

Please help us fulfil this obligation by observing the environmental instructions in this manual:

- Chapter "*Packaging, transport and storage*"
- Chapter "*Disposal*"

¹⁾ Exception: Versions with measuring ranges from 250 bar. These are subject of the EU Pressure Device Directive.

3 Product description

3.1 Configuration

Scope of delivery

The scope of delivery encompasses:

- VEGABAR 81 pressure transmitter
- Ventilation valves, closing screws – depending on version (see chapter "*Dimensions*")

The further scope of delivery encompasses:

- Documentation
 - Quick setup guide VEGABAR 81
 - Test certificate for pressure transmitters
 - Instructions for optional instrument features
 - Ex-specific "*Safety instructions*" (with Ex versions)
 - If necessary, further certificates



Information:

Optional instrument features are also described in this operating instructions manual. The respective scope of delivery results from the order specification.

Scope of this operating instructions

This operating instructions manual applies to the following instrument versions:

- Hardware from 1.0.0
- Software from 1.3.5



Note:

You can find the hardware and software version of the instrument as follows:

- On the type plate of the electronics module
- In the adjustment menu under "*Info*"

Type label

The type label contains the most important data for identification and use of the instrument:



Fig. 1: Layout of the type label (example)

- 1 Product code
- 2 Field for approvals
- 3 Technical data
- 4 Serial number of the instrument
- 5 QR code
- 6 Symbol of the device protection class
- 7 ID numbers, instrument documentation

Serial number - Instrument search

The type label contains the serial number of the instrument. With it you can find the following instrument data on our homepage:

- Product code (HTML)
- Delivery date (HTML)
- Order-specific instrument features (HTML)
- Operating instructions and quick setup guide at the time of shipment (PDF)
- Order-specific sensor data for an electronics exchange (XML)
- Test certificate (PDF) - optional

Move to "www.vega.com" and enter in the search field the serial number of your instrument.

Alternatively, you can access the data via your smartphone:

- Download the VEGA Tools app from the "Apple App Store" or the "Google Play Store"
- Scan the DataMatrix code on the type label of the instrument or
- Enter the serial number manually in the app

3.2 Principle of operation

Application area

VEGABAR 81 is suitable for applications in virtually all industries. It is used for the measurement of the following pressure types.

- Gauge pressure
- Absolute pressure
- Vacuum

Measured products

Measured products are gases, vapours and liquids.

The chemical seal systems of VEGABAR 81, which are optimally adapted to the process, also allow measurement of highly corrosive and hot products.

Measured variables

The VEGABAR 81 is suitable for the measurement of the following process variables:

- Process pressure
- Level

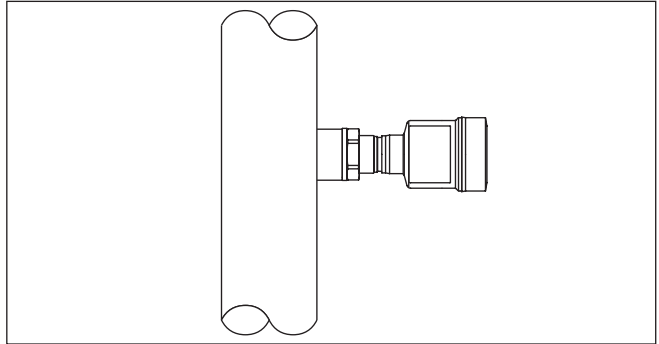


Fig. 2: Process pressure measurement VEGABAR 81

Electronic differential pressure

Depending on the version, the VEGABAR 81 is also suitable for electronic differential pressure measurement. For this, the instrument is combined with a Secondary sensor.

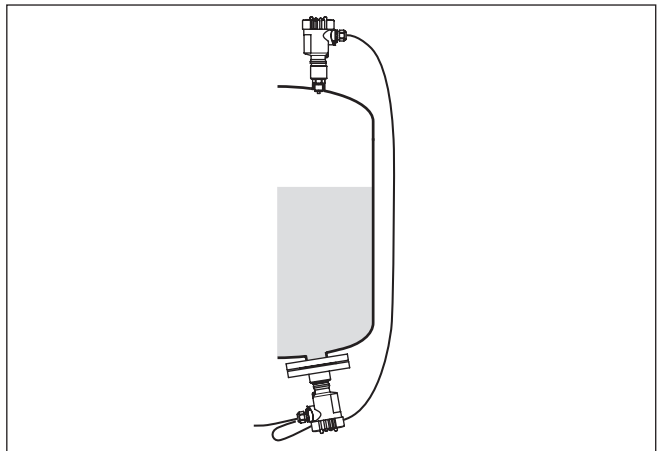


Fig. 3: Electronic differential pressure measurement via a Primary/Secondary sensor combination

You can find detailed information in the operating instructions of the respective Secondary sensor.

Chemical seal

The VEGABAR 81 is equipped with a chemical seal. It consists of a stainless steel diaphragm and a transmission liquid.

A chemical seal has two tasks:

- Separation of the sensor element from the medium
- Transmission of the process pressure to the sensor element

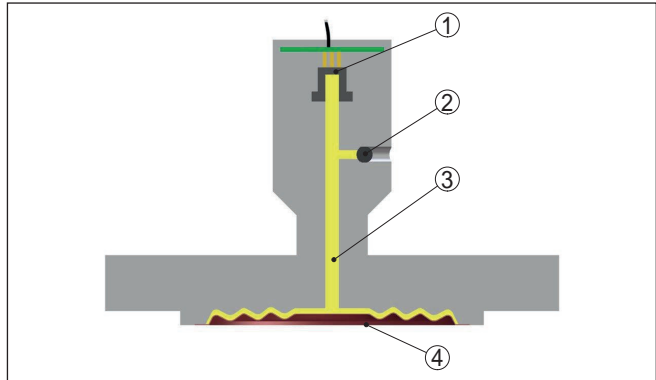


Fig. 4: Configuration of a chemical seal

- 1 Sensor element
- 2 Sealed screw
- 3 Transmission liquid
- 4 Stainless steel diaphragm

The chemical seal is available in different versions, see chapter "*Dimensions*".

Measuring system

The process pressure acts on the sensor element via the isolating diaphragm. The process pressure causes a resistance change which is converted into a corresponding output signal and output as measured value.

Measuring ranges up to 40 bar: piezoresistive sensor element with a transmission liquid, measuring ranges from 100 bar: a dry strain gauge (DMS) sensor element.

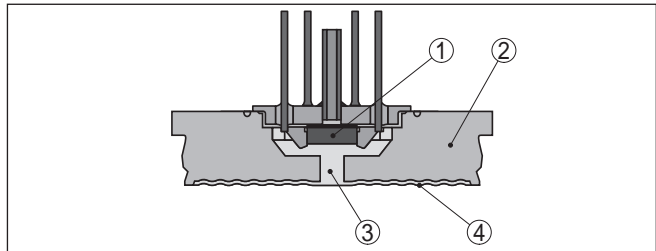


Fig. 5: Configuration of a measuring system with piezoresistive sensor element

- 1 Sensor element
- 2 Base element
- 3 Transmission liquid
- 4 Diaphragm

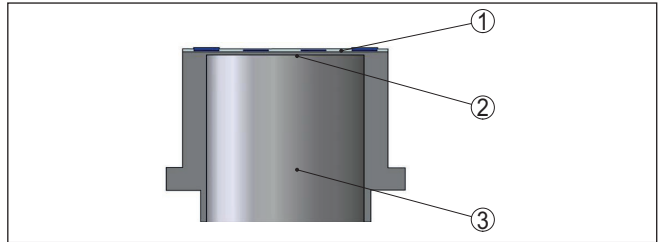


Fig. 6: Configuration of a measuring system with strain gauge (DMS) sensor element

- 1 Sensor element
- 2 Process diaphragm
- 3 Pressure cylinder

Pressure types

Relative pressure: the measuring cell is open to the atmosphere. The ambient pressure is detected in the measuring cell and compensated. It thus has no influence on the measured value.

Absolute pressure: the measuring cell contains vacuum and is encapsulated. The ambient pressure is not compensated and does hence influence the measured value.

Seal concept

The measuring system is completely welded and thus sealed against the process.

The process fitting is sealed against the process by a suitable seal. It must be provided by the customer, depending on the process fitting also included in the scope of delivery, see chapter " *Technical data* ", " *Materials and weights* ".

3.3 Supplementary cleaning procedures

The VEGABAR 81 is also available in the version " *Oil, grease and silicone-free* ". These instruments have passed through a special cleaning procedure to remove oil, grease and paint-wetting impairment substances (PWIS).

The cleaning is carried out on all wetted parts as well as on surfaces accessible from outside. To keep the purity level, the instruments are immediately packed in plastic foil after the cleaning process. The purity level remains as long as the instrument is kept in the closed original packaging.



Caution:

The VEGABAR 81 in this version may not be used in oxygen applications. For this purpose, instruments are available in the special version " *Oil, grease and silicone-free for oxygen applications* ".

3.4 Packaging, transport and storage

Your instrument was protected by packaging during transport. Its capacity to handle normal loads during transport is assured by a test based on ISO 4180.

Packaging

The packaging consists of environment-friendly, recyclable cardboard. For special versions, PE foam or PE foil is also used. Dispose of the packaging material via specialised recycling companies.

Transport

Transport must be carried out in due consideration of the notes on the transport packaging. Nonobservance of these instructions can cause damage to the device.

Transport inspection

The delivery must be checked for completeness and possible transit damage immediately at receipt. Ascertained transit damage or concealed defects must be appropriately dealt with.

Storage

Up to the time of installation, the packages must be left closed and stored according to the orientation and storage markings on the outside.

Unless otherwise indicated, the packages must be stored only under the following conditions:

- Not in the open
- Dry and dust free
- Not exposed to corrosive media
- Protected against solar radiation
- Avoiding mechanical shock and vibration

Storage and transport temperature

- Storage and transport temperature see chapter " *Supplement - Technical data - Ambient conditions* "
- Relative humidity 20 ... 85 %

Lifting and carrying

With instrument weights of more than 18 kg (39.68 lbs) suitable and approved equipment must be used for lifting and carrying.

3.5 Accessories

The instructions for the listed accessories can be found in the download area on our homepage.

PLICSCOM

The display and adjustment module is used for measured value indication, adjustment and diagnosis.

The integrated Bluetooth module (optional) enables wireless adjustment via standard adjustment devices.

VEGACONNECT

The interface adapter VEGACONNECT enables the connection of communication-capable instruments to the USB interface of a PC.

VEGADIS 82

The VEGADIS 82 is suitable for measured value indication of 4 ... 20 mA and 4 ... 20 mA/HART sensors. It is looped into the signal cable.

Overvoltage protection

The overvoltage arrester B81-35 is used instead of the terminals in the single or double chamber housing.

Protective cover

The protective cover protects the sensor housing against soiling and intense heat from solar radiation.

Flanges

Screwed flanges are available in different versions according to the following standards: DIN 2501, EN 1092-1, BS 10, ASME B 16.5, JIS B 2210-1984, GOST 12821-80.

Welded socket, threaded and hygienic adapter

Welded sockets are used to connect the devices to the process, threaded and hygienic adapters for easy adaptation of devices with standard threaded fittings, e.g. to hygienic connections on the process side.

4 Mounting

4.1 General instructions

Process conditions



Note:

For safety reasons, the instrument must only be operated within the permissible process conditions. You can find detailed information on the process conditions in chapter " *Technical data*" of the operating instructions or on the type label.

Hence make sure before mounting that all parts of the instrument exposed to the process are suitable for the existing process conditions.

These are mainly:

- Active measuring component
- Process fitting
- Process seal

Process conditions in particular are:

- Process pressure
- Process temperature
- Chemical properties of the medium
- Abrasion and mechanical influences

Protection against moisture

Protect your instrument against moisture ingress through the following measures:

- Use a suitable connection cable (see chapter " *Connecting to power supply*")
- Tighten the cable gland or plug connector
- Lead the connection cable downward in front of the cable entry or plug connector

This applies mainly to outdoor installations, in areas where high humidity is expected (e.g. through cleaning processes) and on cooled or heated vessels.



Note:

Make sure that during installation or maintenance no moisture or dirt can get inside the instrument.

To maintain the housing protection, make sure that the housing lid is closed during operation and locked, if necessary.

Screwing in

Devices with threaded fitting are screwed into the process fitting with a suitable wrench via the hexagon.

See chapter " *Dimensions*" for wrench size.



Warning:

The housing or the electrical connection may not be used for screwing in! Depending on the device version, tightening can cause damage, e. g. to the rotation mechanism of the housing.

Vibrations

Avoid damages on the device by lateral forces, for example by vibrations. It is thus recommended to fix the devices with process fitting

thread G½ of plastic at the installation site via a suitable measuring instrument holder.

If there is strong vibration at the mounting location, the instrument version with external housing should be used. See chapter " *External housing*".

Permissible process pressure (MWP) - Device

The permissible process pressure range is specified by "MWP" (Maximum Working Pressure) on the type label, see chapter " *Structure*". The MWP takes the element of the measuring cell and processing fitting combination with the weakest pressure into consideration and may applied permanently. The specification refers to a reference temperature of +20 °C (+68 °F). It also applies when a measuring cell with a higher measuring range than the permissible pressure range of the process fitting is installed order-related.

In order to prevent damage to the device, a test pressure may only exceed the specified MWP briefly by 1.5 times at reference temperature. The pressure stage of the process fitting as well as the overload resistance of the measuring cell are taken into consideration here (see chapter " *Technical Data*").

In addition, a temperature derating of the process fitting, e. g. with flanges, can limit the permissible process pressure range according to the respective standard.

Permissible process pressure (MWP) - Mounting accessory

The permissible process pressure range is stated on the type label. The instrument should only be operated with these pressures if the mounting accessory used also fulfils these values. This should be ensured by suitable flanges, welded sockets, tension rings with Clamp connections, sealings, etc.

Temperature limits

Higher process temperatures often mean also higher ambient temperatures. Make sure that the upper temperature limits stated in chapter " *Technical data*" for the environment of the electronics housing and connection cable are not exceeded.

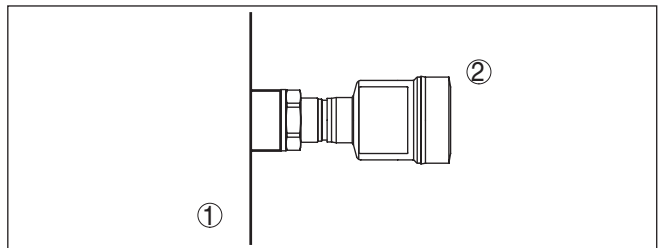


Fig. 7: Temperature ranges

- 1 Process temperature
- 2 Ambient temperature

4.2 Instructions for oxygen applications

Oxygen and other gases can be explosive when brought into contact with oils, grease and plastics, so the following measures must also be taken:

Oxygen applications

- All components of the system, e.g. measuring instruments, must be cleaned in accordance with the requirements of recognized regulations or standards
- Depending on the seal material, certain temperatures and pressures must not be exceeded in oxygen applications, see chapter "Technical data"

**Danger:**

Instruments for oxygen applications must be unpacked just before mounting. After removing the protective cover of the process fitting, the label "O₂" will be visible on the process fitting. Penetration of oil, grease and dirt should be avoided. Danger of explosion!

4.3 Ventilation and pressure compensation

Filter element - Function

The filter element in the electronics housing has the following functions:

- Ventilation of the electronics housing
- Atmospheric pressure compensation (with relative pressure measuring ranges)

**Caution:**

The filter element causes a time-delayed pressure compensation. When quickly opening/closing the housing cover, the measured value can change for approx. 5 s by up to 15 mbar.

For an effective ventilation, the filter element must be always free from buildup. In case of horizontal mounting, turn the housing so that the filter element points downward after the instrument is installed. This provides better protection against buildup.

**Caution:**

Do not use a high-pressure cleaner. The filter element could be damaged, which would allow moisture into the housing.

The following paragraphs describe how the filter element is arranged in the different instrument versions.

Filter element - Position

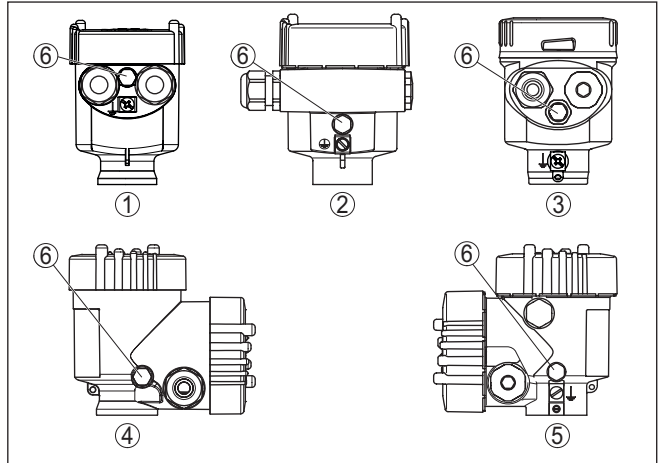


Fig. 8: Position of the filter element

- 1 Plastic, stainless steel single chamber (precision casting)
- 2 Aluminium - single chamber
- 3 Stainless steel single chamber (electropolished)
- 4 Plastic double chamber
- 5 Aluminium, stainless steel double chamber housing (precision casting)
- 6 Filter element

With the following instruments a blind plug is installed instead of the filter element:

- Instruments in protection IP66/IP68 (1 bar) - ventilation via capillaries in non-detachable cable
- Instruments with absolute pressure

Filter element - Position Ex-d version

→ Turn the metal ring in such a way that the filter element points downward after installation of the instrument. This provides better protection against buildup.

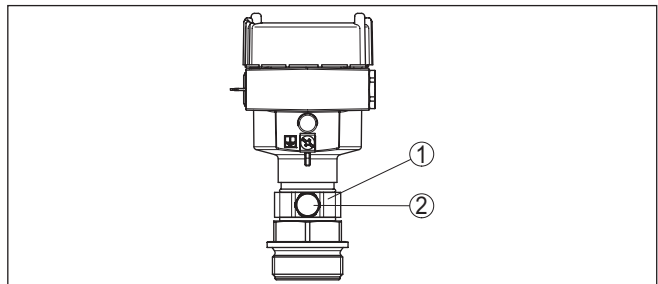


Fig. 9: Position of the filter element - Ex-d version

- 1 Rotatable metal ring
- 2 Filter element

Instruments with absolute pressure have a blind plug mounted instead of the filter element.

Filter element - Position Second Line of Defense

The Second Line of Defense (SLOD) is a second level of the process separation in form of a gas-tight leadthrough in the housing neck, preventing products from penetrating into the housing.

With these instruments, the process assembly is completely encapsulated. An absolute pressure measuring cell is used so that no ventilation is required.

With relative pressure measuring ranges, the ambient pressure is detected and compensated by a reference sensor in the electronics.

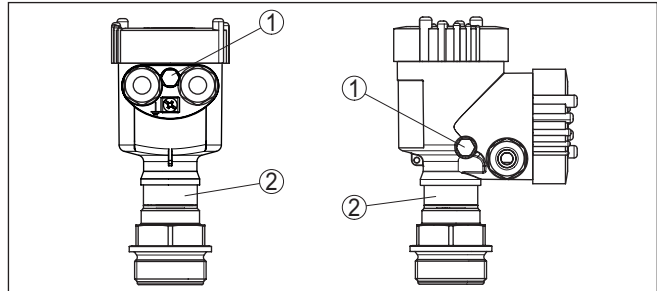


Fig. 10: Position of the filter element - gastight leadthrough

- 1 Filter element
- 2 Gas-tight leadthrough

Filter element - Position IP69K version

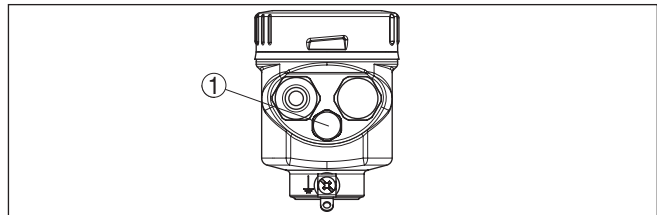


Fig. 11: Position of the filter element - IP69K version

- 1 Filter element

Instruments with absolute pressure have a blind plug mounted instead of the filter element.

4.4 Process pressure measurement

Keep the following in mind when setting up the measuring system:

- Mount the instrument above the measuring point

Possible condensation can then drain off into the process line.

Measurement setup in gases

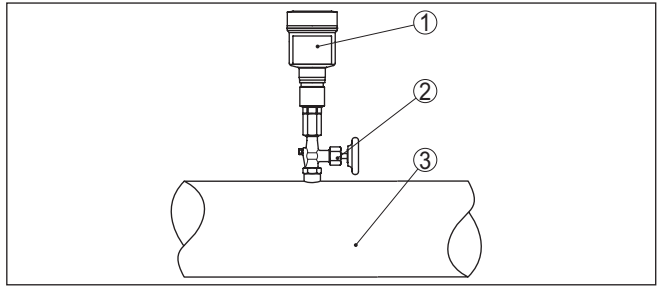


Fig. 12: Measurement setup for process pressure measurement of gases in pipelines

- 1 VEGABAR 81
- 2 Blocking valve
- 3 Pipeline

Measurement setup in vapours

Keep the following in mind when setting up the measuring system:

- Connect via a siphon
- Do not insulate the siphon
- Fill the siphon with water before setup

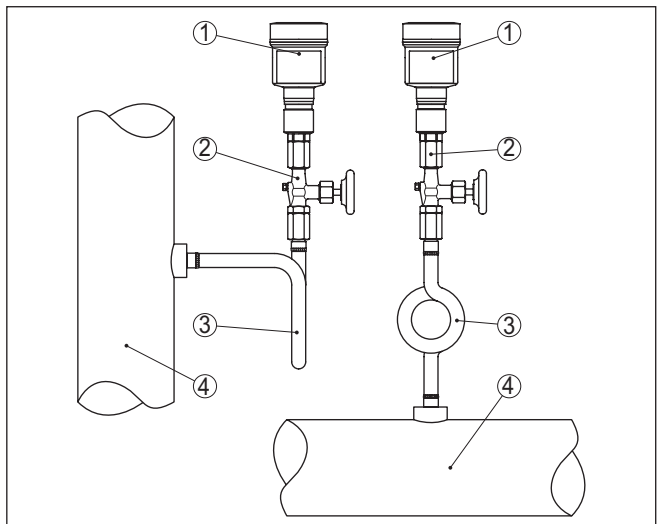


Fig. 13: Measurement setup for the process pressure measurement of gases in pipelines

- 1 VEGABAR 81
- 2 Blocking valve
- 3 Siphon in U or circular form
- 4 Pipeline

A protective accumulation of water is formed through condensation in the pipe bends. Even in applications with hot steam, a medium temperature < 100 °C on the transmitter is ensured.

Measurement setup in liquids

Keep the following in mind when setting up the measuring system:

- Mount the instrument below the measuring point

The effective pressure line is always filled with liquid and gas bubbles can bubble up to the process line.

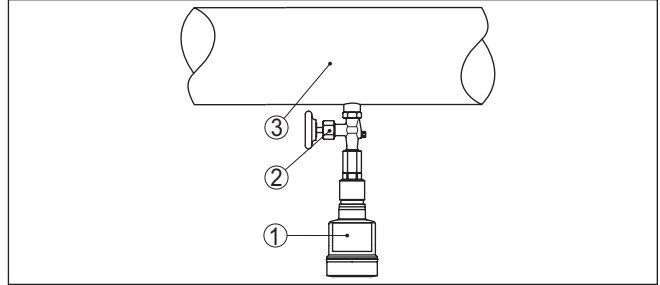


Fig. 14: Measurement setup for the process pressure measurement of liquids in pipelines

- 1 VEGABAR 81
- 2 Blocking valve
- 3 Pipeline

4.5 Level measurement

Measurement setup

Keep the following in mind when setting up the measuring system:

- Mount the instrument below the min. level
- Do not mount the instrument close to the filling stream or emptying area
- Mount the instrument so that it is protected against pressure shocks from the stirrer

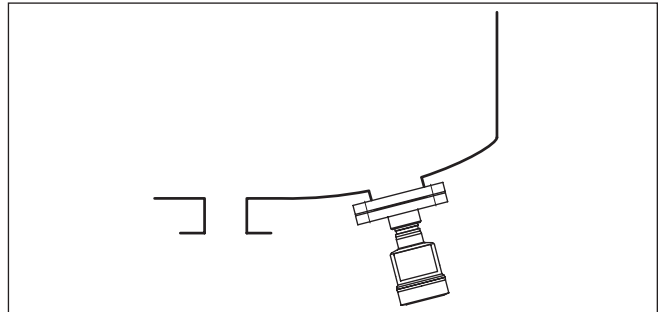


Fig. 15: Measurement setup for the level measurement

4.6 External housing

Configuration

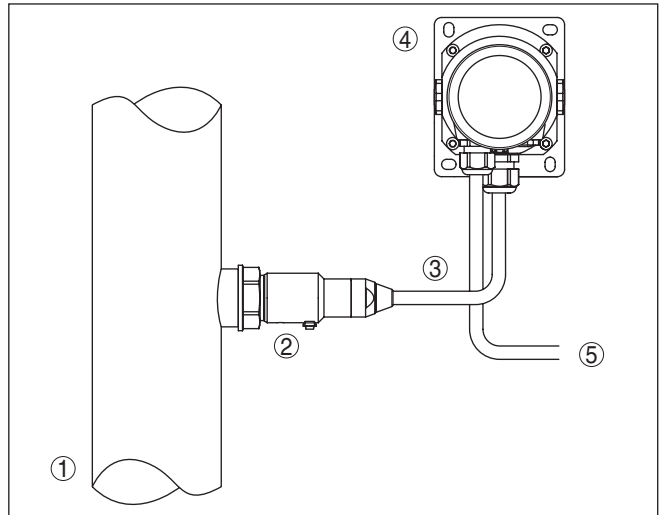


Fig. 16: Configuration, process module, external housing

- 1 Pipeline
- 2 Process module
- 3 Connection cable process assembly - External housing
- 4 External housing
- 5 Signal cable

5 Connecting to power supply

5.1 Preparing the connection

Safety instructions

Always keep in mind the following safety instructions:

- Carry out electrical connection by trained, qualified personnel authorised by the plant operator
- If overvoltage surges are expected, overvoltage arresters should be installed



Warning:

Only connect or disconnect in de-energized state.

Voltage supply

Power supply and current signal are carried on the same two-wire cable. The operating voltage can differ depending on the instrument version.

The data for power supply are specified in chapter " *Technical data*".

Provide a reliable separation between the supply circuit and the mains circuits according to DIN EN 61140 VDE 0140-1.

Power the instrument via an energy-limited circuit acc. to IEC 61010-1, e.g. via Class 2 power supply unit.

Keep in mind the following additional factors that influence the operating voltage:

- Lower output voltage of the power supply unit under nominal load (e.g. with a sensor current of 20.5 mA or 22 mA in case of fault signal)
- Influence of additional instruments in the circuit (see load values in chapter " *Technical data*")

Connection cable

The instrument is connected with standard two-wire cable without shielding. If electromagnetic interference is expected which is above the test values of EN 61326-1 for industrial areas, shielded cable should be used.

Use cable with round cross section for instruments with housing and cable gland. Use a cable gland suitable for the cable diameter to ensure the seal effect of the cable gland (IP protection rating).

Cable screening and grounding

If shielded cable is required, we recommend connecting the cable screening on both ends to ground potential. In the sensor, the cable screening must be connected directly to the internal ground terminal. The ground terminal on the outside of the housing must be connected to the ground potential (low impedance).



In Ex systems, the grounding is carried out according to the installation regulations.

In electroplating plants as well as plants for cathodic corrosion protection it must be taken into account that significant potential differences exist. This can lead to unacceptably high currents in the cable screen if it is grounded at both ends.

Note:
 The metallic parts of the instrument (process fitting, sensor, concentric tube, etc.) are connected with the internal and external ground terminal on the housing. This connection exists either directly via the conductive metallic parts or, in case of instruments with external electronics, via the screen of the special connection cable.

You can find specifications on the potential connections inside the instrument in chapter " *Technical data*".

Cable glands

Metric threads

In the case of instrument housings with metric thread, the cable glands are screwed in at the factory. They are sealed with plastic plugs as transport protection.

Note:
 You have to remove these plugs before electrical connection.

NPT thread

In the case of instrument housings with self-sealing NPT threads, it is not possible to have the cable entries screwed in at the factory. The free openings for the cable glands are therefore covered with red dust protection caps as transport protection.

Note:
 Prior to setup you have to replace these protective caps with approved cable glands or close the openings with suitable blind plugs.

On plastic housings, the NPT cable gland or the Conduit steel tube must be screwed into the threaded insert without grease.

Max. torque for all housings, see chapter " *Technical data*".

5.2 Connecting

Connection technology

The voltage supply and signal output are connected via the spring-loaded terminals in the housing.

Connection to the display and adjustment module or to the interface adapter is carried out via contact pins in the housing.

Information:
 The terminal block is pluggable and can be removed from the electronics. To do this, lift the terminal block with a small screwdriver and pull it out. When reinserting the terminal block, you should hear it snap in.

Connection procedure

Proceed as follows:

1. Unscrew the housing lid
2. If a display and adjustment module is installed, remove it by turning it slightly to the left
3. Loosen compression nut of the cable gland and remove blind plug
4. Remove approx. 10 cm (4 in) of the cable mantle, strip approx. 1 cm (0.4 in) of insulation from the ends of the individual wires

5. Insert the cable into the sensor through the cable entry



Fig. 17: Connection steps 5 and 6 - Single chamber housing

6. Insert the wire ends into the terminals according to the wiring plan



Information:

Solid cores as well as flexible cores with wire end sleeves are inserted directly into the terminal openings. In case of flexible cores without end sleeves, press the terminal from above with a small screwdriver, the terminal opening is then free. When the screwdriver is released, the terminal closes again.

7. Check the hold of the wires in the terminals by lightly pulling on them
8. Connect the shielding to the internal ground terminal, connect the external ground terminal to potential equalisation
9. Tighten the compression nut of the cable entry gland. The seal ring must completely encircle the cable
10. Reinsert the display and adjustment module, if one was installed
11. Screw the housing lid back on

The electrical connection is finished.

5.3 Single chamber housing



The following illustration applies to the non-Ex as well as to the Ex-ia version.

Electronics and connection compartment

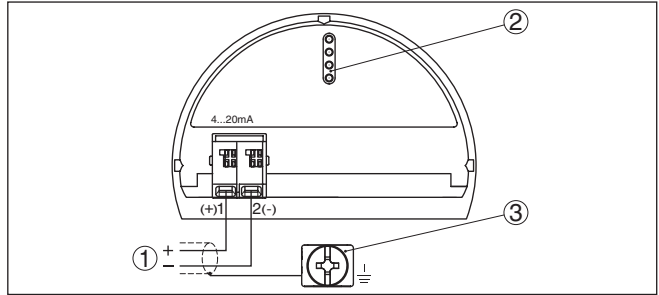


Fig. 18: Electronics and connection compartment - single chamber housing

- 1 Voltage supply, signal output
- 2 For display and adjustment module or interface adapter
- 3 Ground terminal for connection of the cable screening

5.4 Ex-d-ia double chamber housing

Electronics compartment

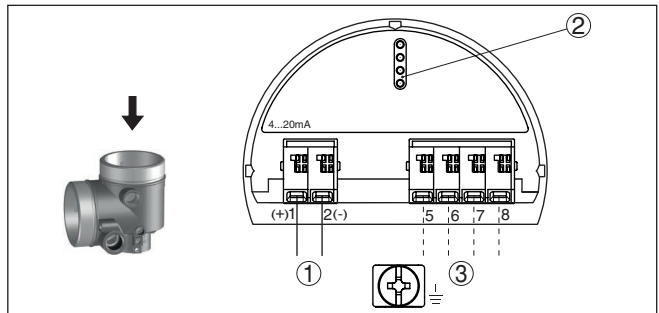


Fig. 19: Electronics compartment - Ex-d-ia double chamber housing

- 1 Internal connection to the connection compartment
- 2 For display and adjustment module or interface adapter
- 3 Internal connection to the plug connector for external display and adjustment unit (optional)



Note:

HART multidrop mode is not possible when using an Ex-d-ia instrument.

Connection compartment

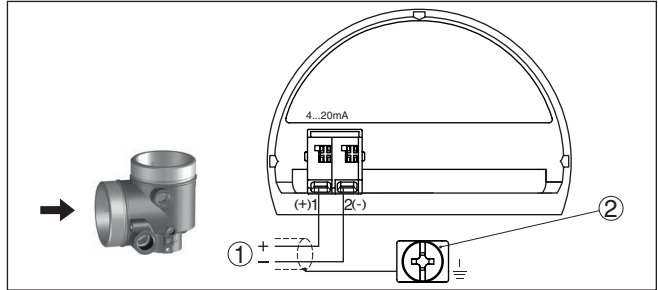


Fig. 20: Connection compartment - Ex-d-ia double chamber housing

- 1 Voltage supply, signal output
- 2 Ground terminal for connection of the cable screening

Wire assignment, connection cable

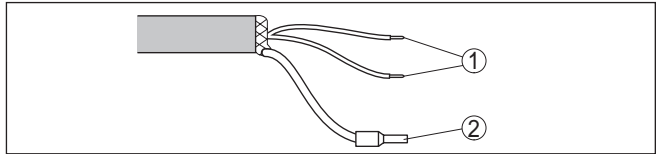


Fig. 21: Wire assignment in permanently connected connection cable

- 1 Brown (+) and blue (-) to power supply or to the processing system
- 2 Shielding

5.6 External housing with version IP68 (25 bar)

Overview

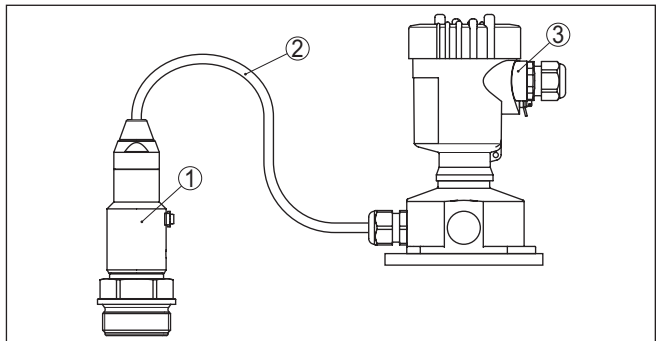


Fig. 22: VEGABAR 81 in IP68 version 25 bar with axial cable outlet, external housing

- 1 Transmitter
- 2 Connection cable
- 3 External housing

Electronics and connection compartment for power supply

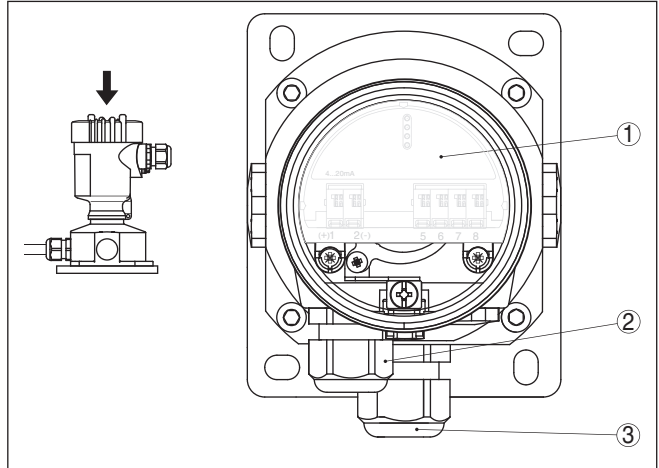


Fig. 23: Electronics and connection compartment

- 1 Electronics module
- 2 Cable gland for voltage supply
- 3 Cable gland for connection cable, transmitter

Terminal compartment, housing socket

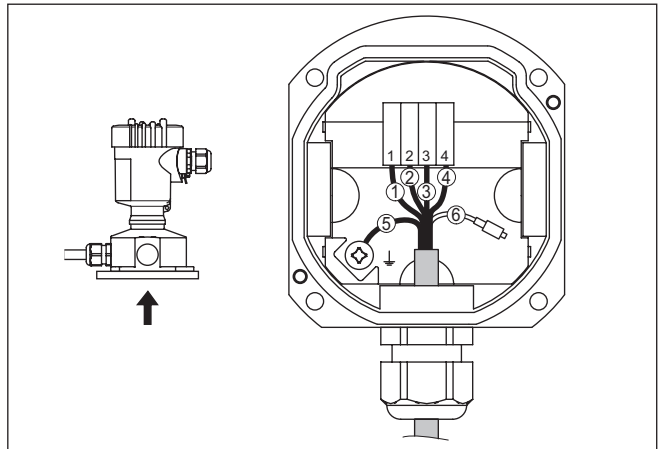


Fig. 24: Connection of the process component in the housing base

- 1 Yellow
- 2 White
- 3 Red
- 4 Black
- 5 Shielding
- 6 Breather capillaries

Electronics and connection compartment

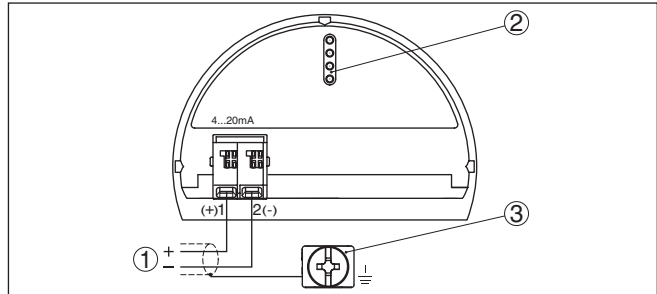


Fig. 25: Electronics and connection compartment - single chamber housing

- 1 Voltage supply, signal output
- 2 For display and adjustment module or interface adapter
- 3 Ground terminal for connection of the cable screening

5.7 Switch-on phase

After connecting the instrument to power supply or after a voltage recurrence, the instrument carries out a self-check:

- Internal check of the electronics
- Indication of a status message on the display or PC
- The output signal jumps to the set fault current

Then the actual measured value is output to the signal cable. The value takes into account settings that have already been carried out, e.g. default setting.

6 Set up with the display and adjustment module

6.1 Insert display and adjustment module

The display and adjustment module can be inserted into the sensor and removed again at any time. You can choose any one of four different positions - each displaced by 90°. It is not necessary to interrupt the power supply.

Proceed as follows:

1. Unscrew the housing lid
2. Place the display and adjustment module on the electronics in the desired position and turn it to the right until it snaps in.
3. Screw housing lid with inspection window tightly back on

Disassembly is carried out in reverse order.

The display and adjustment module is powered by the sensor, an additional connection is not necessary.



Fig. 26: Installing the display and adjustment module in the electronics compartment of the single chamber housing



Note:

If you intend to retrofit the instrument with a display and adjustment module for continuous measured value indication, a higher lid with an inspection glass is required.

6.2 Adjustment system

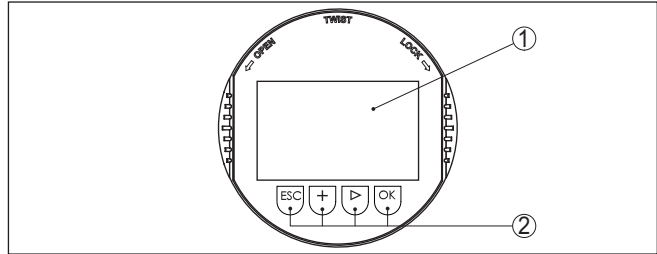


Fig. 27: Display and adjustment elements

- 1 LC display
- 2 Adjustment keys

Key functions

- **[OK]** key:
 - Move to the menu overview
 - Confirm selected menu
 - Edit parameter
 - Save value
- **[>]** key:
 - Change measured value presentation
 - Select list entry
 - Select menu items
 - Select editing position
- **[+]** key:
 - Change value of the parameter
- **[ESC]** key:
 - Interrupt input
 - Jump to next higher menu

Operating system - Keys direct

The instrument is operated via the four keys of the display and adjustment module. The individual menu items are shown on the LC display. You can find the function of the individual keys in the previous illustration.

Adjustment system - keys via magnetic pen

With the Bluetooth version of the display and adjustment module you can also adjust the instrument with the magnetic pen. The pen operates the four keys of the display and adjustment module right through the closed lid (with inspection window) of the sensor housing.

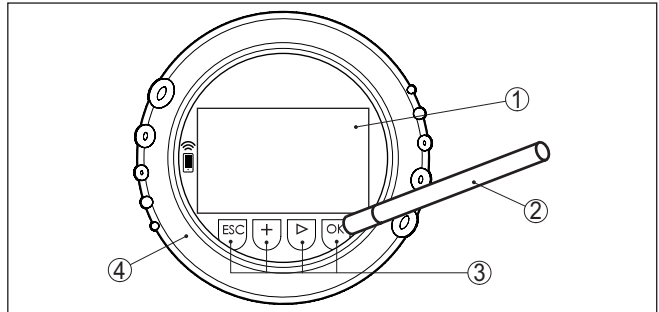


Fig. 28: Display and adjustment elements - with adjustment via magnetic pen

- 1 LC display
- 2 Magnetic pen
- 3 Adjustment keys
- 4 Lid with inspection window

Time functions

When the **[+]** and **[->]** keys are pressed quickly, the edited value, or the cursor, changes one value or position at a time. If the key is pressed longer than 1 s, the value or position changes continuously.

When the **[OK]** and **[ESC]** keys are pressed simultaneously for more than 5 s, the display returns to the main menu. The menu language is then switched over to "English".

Approx. 60 minutes after the last pressing of a key, an automatic reset to measured value indication is triggered. Any values not confirmed with **[OK]** will not be saved.

Measured value indication

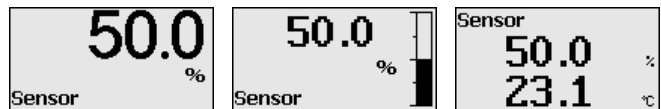
6.3 Measured value indication

With the **[->]** key you can move between three different indication modes.

In the first view, the selected measured value is displayed in large digits.

In the second view, the selected measured value and a respective bargraph presentation are displayed.

In the third view, the selected measured value as well as a second selectable value, e.g. the temperature, are displayed.



With the "OK" key you move (during the initial setup of the instrument) to the selection menu "Language".

Selection language

In this menu item, you can select the national language for further parameterization.



With the "[>]" button, you can select the requested language, with "**OK**" you confirm the selection and move to the main menu.

You can change your selection afterwards with the menu item "*Setup - Display, Menu language*".

6.4 Parameter adjustment - Quick setup

To quickly and easily adapt the sensor to the application, select the menu item "*Quick setup*" in the start graphic on the display and adjustment module.



Select the individual steps with the "[>]" key.

After the last step, "*Quick setup terminated successfully*" is displayed briefly.

The return to the measured value indication is carried out through the "[>]" or "[ESC]" keys or automatically after 3 s



Note:

You can find a description of the individual steps in the quick setup guide of the sensor.

You can find "*Extended adjustment*" in the next sub-chapter.

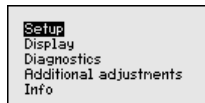
6.5 Parameter adjustment - Extended adjustment

For technically demanding measuring points, you can carry out extended settings in "*Extended adjustment*".



Main menu

The main menu is divided into five sections with the following functions:



Setup: Settings e. g. for measurement loop name, application, units, position correction, adjustment, signal output, disable/enable operation

Display: Settings, e.g., for language, measured value display, lighting

Diagnosis: Information, for example, of device status, peak value, simulation

Additional adjustments: date/time, reset, copy function

Info: Instrument name, hardware and software version, calibration date, sensor features



Note:

For optimum setting of the measuring point, the individual submenu items in the main menu item "Setup" should be selected one after the other and provided with the correct parameters. If possible, go through the items in the given sequence.

The submenu points are described below.

6.5.1 Setup

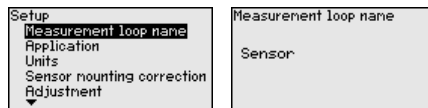
Measurement loop name

In the menu item "Sensor TAG" you edit a twelve-digit measurement loop designation.

You can enter an unambiguous designation for the sensor, e.g. the measurement loop name or the tank or product designation. In digital systems and in the documentation of larger plants, a singular designation must be entered for exact identification of individual measuring points.

The available digits include:

- Letters from A ... Z
- Numbers from 0 ... 9
- Special characters +, -, /, -



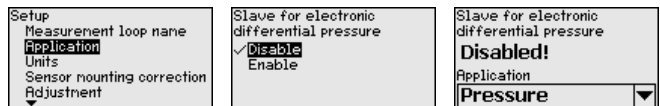
Application

In this menu item you activate/deactivate the Secondary Device for electronic differential pressure and select the application.

VEGABAR 81 can be used for process pressure and level measurement. The setting in the delivery status is process pressure measurement. The mode can be changed in this adjustment menu.

If you have connected **no** Secondary Device, you confirm this with "Deactivate".

Depending on the selected application, different subchapters in the following adjustment steps are important. There you can find the individual adjustment steps.

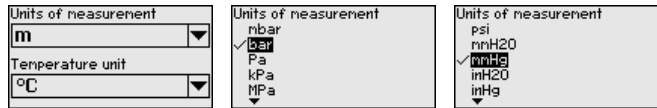


Enter the requested parameters via the appropriate keys, save your settings with [OK] and jump to the next menu item with the [ESC] and the [->] key.

Units

In this menu item, the adjustment units of the instrument are determined. The selection determines the unit displayed in the menu items "*Min. adjustment (Zero)*" and "*Max. adjustment (Span)*".

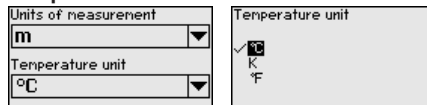
Unit of measurement:



If the level should be adjusted in a height unit, the density of the medium must also be entered later during the adjustment.

In addition, the temperature unit of the instrument is specified. The selection determines the unit displayed in menu items "*Peak value, temperature*" and "in the variables of the digital output signal".

Temperature unit:



Enter the requested parameters via the appropriate keys, save your settings with **[OK]** and jump to the next menu item with the **[ESC]** and the **[->]** key.

Position correction

Especially with chemical seal systems, the installation position of the instrument can shift (offset) the measured value. Position correction compensates this offset. In the process, the actual measured value is taken over automatically. With relative pressure measuring cells a manual offset can also be carried out.



Note:

If the current measured value is automatically accepted, it must not be falsified by medium coverage or static pressure.

With the manual position correction, the offset value can be determined by the user. Select for this purpose the function "*Edit*" and enter the requested value.

Save your settings with **[OK]** and move with **[ESC]** and **[->]** to the next menu item.

After the position correction is carried out, the actual measured value is corrected to 0. The corrective value appears with an inverse sign as offset value in the display.

The position correction can be repeated as often as necessary. However, if the sum of the corrective values exceeds 20 % of the nominal measuring range, then no position correction is possible.

Adjustment

VEGABAR 81 always measures pressure independently of the process variable selected in the menu item "*Application*". To output the

selected process variable correctly, an allocation of the output signal to 0 % and 100 % must be carried out (adjustment).

With the application "Level", the hydrostatic pressure, e.g. with full and empty vessel, is entered for adjustment. See following example:

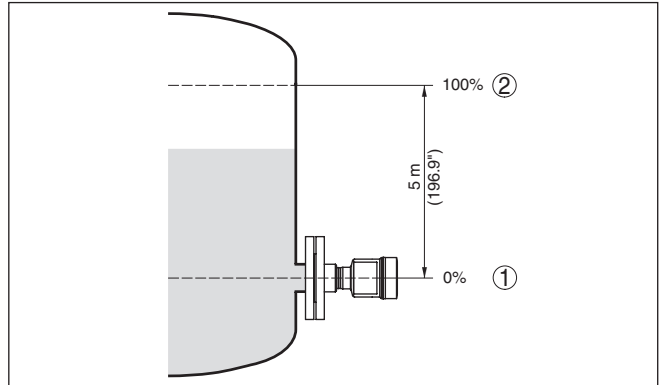


Fig. 29: Parameter adjustment example Min./max. adjustment, level measurement

- 1 Min. level = 0 % corresponds to 0.0 mbar
- 2 Max. level = 100 % corresponds to 490.5 mbar

If these values are not known, an adjustment with filling levels of e.g. 10 % and 90 % is also possible. By means of these settings, the real filling height is then calculated.

The actual product level during this adjustment is not important, because the min./max. adjustment is always carried out without changing the product level. These settings can be made ahead of time without the instrument having to be installed.



Note:

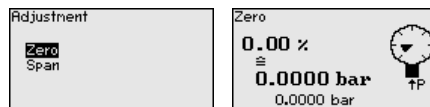
If the adjustment ranges are exceeded, the entered value will not be accepted. Editing can be interrupted with **[ESC]** or corrected to a value within the adjustment ranges.

For the other process variables such as e.g. process pressure, differential pressure or flow, the adjustment is performed in like manner.

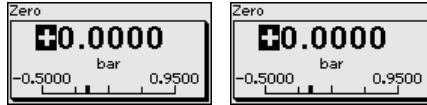
Zero adjustment

Proceed as follows:

1. Select the menu item "Setup" with **[->]** and confirm with **[OK]**.
Now select with **[->]** the menu item "Zero adjustment" and confirm with **[OK]**.



2. Edit the mbar value with **[OK]** and set the cursor to the requested position with **[->]**.



3. Set the requested mbar value with **[+]** and store with **[OK]**.

4. Go with **[ESC]** and **[>]** to the span adjustment

The zero adjustment is finished.



Information:

The Zero adjustment shifts the value of the span adjustment. The span, i.e. the difference between these values, however, remains unchanged.

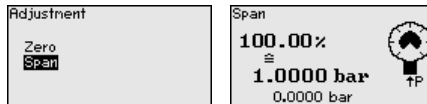
For an adjustment with pressure, simply enter the actual measured value indicated at the bottom of the display.

If the adjustment ranges are exceeded, the message "Outside parameter limits" appears. The editing procedure can be aborted with **[ESC]** or the displayed limit value can be accepted with **[OK]**.

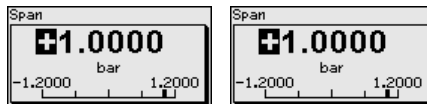
Span adjustment

Proceed as follows:

1. Select with **[>]** the menu item Span adjustment and confirm with **[OK]**.



2. Edit the mbar value with **[OK]** and set the cursor to the requested position with **[>]**.



3. Set the requested mbar value with **[+]** and store with **[OK]**.

For an adjustment with pressure, simply enter the actual measured value indicated at the bottom of the display.

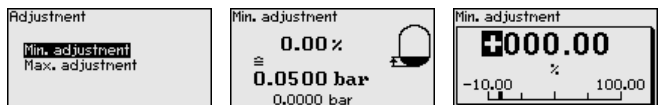
If the adjustment ranges are exceeded, the message "Outside parameter limits" appears. The editing procedure can be aborted with **[ESC]** or the displayed limit value can be accepted with **[OK]**.

The span adjustment is finished.

Min. adjustment - Level

Proceed as follows:

1. Select the menu item "Setup" with **[>]** and confirm with **[OK]**.
Now select with **[>]** the menu item "Adjustment", then "Min. adjustment" and confirm with **[OK]**.



2. Edit the percentage value with **[OK]** and set the cursor to the requested position with **[->]**.
3. Set the requested percentage value (e.g. 10 %) with **[+]** and save with **[OK]**. The cursor jumps now to the pressure value.
4. Enter the pressure value corresponding to the min. level (e.g. 0 mbar).
5. Save settings with **[OK]** and move with **[ESC]** and **[->]** to the max. adjustment.

The min. adjustment is finished.

For an adjustment with filling, simply enter the actual measured value indicated at the bottom of the display.

Max. adjustment - Level

Proceed as follows:

1. Select with **[->]** the menu item Max. adjustment and confirm with **[OK]**.



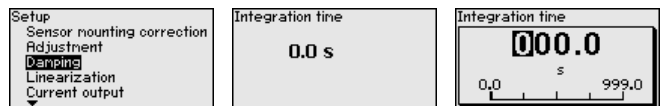
2. Edit the percentage value with **[OK]** and set the cursor to the requested position with **[->]**.
3. Set the requested percentage value (e.g. 90 %) with **[+]** and save with **[OK]**. The cursor jumps now to the pressure value.
4. Enter the pressure value for the full vessel (e.g. 900 mbar) corresponding to the percentage value.
5. Save settings with **[OK]**

The max. adjustment is finished.

For an adjustment with filling, simply enter the actual measured value indicated at the bottom of the display.

Damping

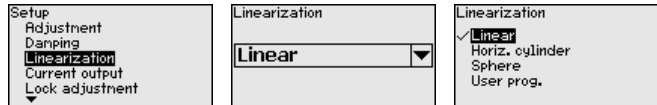
To damp process-dependent measured value fluctuations, set an integration time of 0 ... 999 s in this menu item. The increment is 0.1 s.



The setting in the delivery status depends on the sensor type.

Linearisation

A linearization is necessary for all vessels in which the vessel volume does not increase linearly with the level - e.g. a horizontal cylindrical or spherical tank - and the indication or output of the volume is required. Corresponding linearization curves are preprogrammed for these vessels. They represent the correlation between the level percentage and vessel volume. The linearization applies to the measured value indication and the current output.



With flow measurement and selection " *Linear*" display and output (percentage/current) are linear to " **Differential pressure**". This can be used, for example, to feed a flow computer.

With flow measurement and selection " *Extraction by root*" display and output (percentage/current) are linear to " **Flow**".²⁾

With flow in two directions (bidirectional) a negative differential pressure is also possible. This must already be taken into account in menu item " *Min. adjustment flow*".



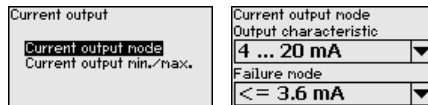
Caution:

Note the following, if the respective sensor is used as part of an over-fill protection system according to WHG:

If a linearisation curve is selected, the measuring signal is no longer necessarily linear to the filling height. This must be considered by the user especially when setting the switching point on the limit signal transmitter.

Current output (mode)

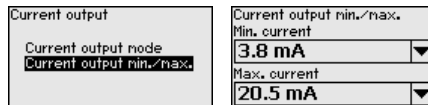
In the menu item " *Current output mode*" you determine the output characteristics and reaction of the current output in case of fault.



The default setting is output characteristics 4 ... 20 mA, fault mode < 3.6 mA.

Current output (min./max.)

In the menu item " *Current output Min./Max.*", you determine the reaction of the current output during operation.

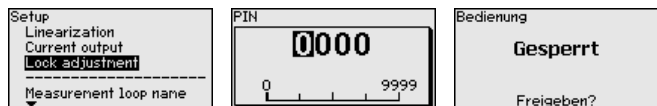


The default setting is min. current 3.8 mA and max. current 20.5 mA.

Lock/Unlock adjustment

In the menu item " *Lock/unlock adjustment*" you safeguard the sensor parameters against unauthorized or unintentional modifications.

This is done by entering a four-digit PIN.



²⁾ The device assumes an approximately constant temperature and static pressure and converts the differential pressure into the flow rate via the characteristic curve extracted by root.

With active PIN, only the following adjustment functions are possible without entering a PIN:

- Select menu items and show data
- Read data from the sensor into the display and adjustment module

Releasing the sensor adjustment is also possible in any menu item by entering the PIN.



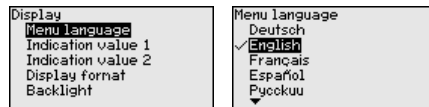
Caution:

With active PIN, adjustment via PACTware/DTM and other systems is also blocked.

6.5.2 Display

Language

This menu item enables the setting of the requested national language.



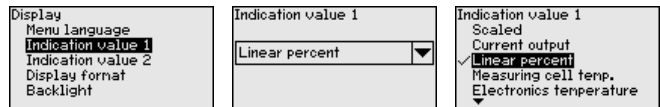
The following languages are available:

- German
- English
- French
- Spanish
- Russian
- Italian
- Dutch
- Portuguese
- Japanese
- Chinese
- Polish
- Czech
- Turkish

In delivery status, the VEGABAR 81 is set to English.

Display value 1 and 2

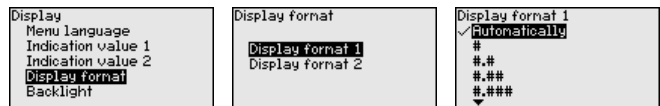
In this menu item, you define which measured value is displayed.



The setting in the delivery status for the display value is "Lin. percent".

Display format 1 and 2

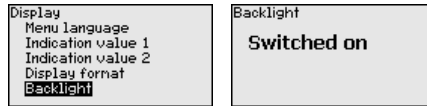
In this menu item you define the number of decimal positions with which the measured value is displayed.



The setting in the delivery status for the display format is "Automatic".

Backlight

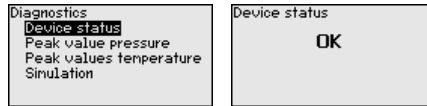
The display and adjustment module has a backlight for the display. In this menu item you can switch on the lighting. You can find the required operating voltage in chapter " *Technical data*".



In delivery status, the lighting is switched on.

6.5.3 Diagnostics**Device status**

In this menu item, the device status is displayed.

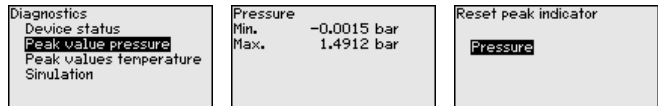


In case of error, e.g. the error code F017, e.g. the error description " *Adjustment span too small*" and a four digit figure are displayed for service purposes. You can find the error codes with description, reason as well as rectification in chapter " *Asset Management*".

Peak value, pressure

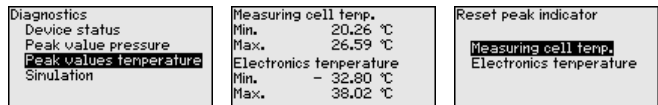
The respective min. and max. measured values are saved in the sensor. The two values are displayed in menu item " *Peak values, pressure*".

In another window you can carry out a reset of the peak values separately.

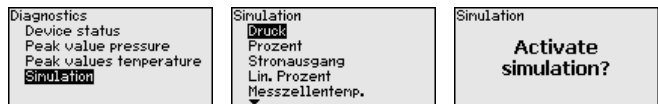
**Peak value, temperature**

The respective min. and max. measured values of the measuring cell and the electronics temperature are stored in the sensor. In menu item " *Peak value, temperature*", both values are displayed.

In another window you can carry out a reset of the two peak values separately.

**Simulation**

In this menu item you can simulate measured values. This allows the signal path to be tested, e.g. through downstream indicating instruments or the input card of the control system.





Select the requested simulation variable and set the requested value. To deactivate the simulation, you have to push the **[ESC]** key and confirm the message " *Deactivate simulation*" with the **[OK]** key.



Caution:

During simulation, the simulated value is output as 4 ... 20 mA current value and with instruments 4 ... 20 mA/HART in addition as digital HART signal. The status message within the context of the asset management function is " *Maintenance*".



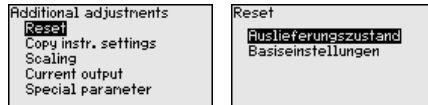
Note:

Without manual deactivation, the sensor terminates the simulation automatically after 60 minutes.

6.5.4 Additional adjustments

Reset

After a reset, certain parameter adjustments made by the user are reset.



The following reset functions are available:

Delivery status: Restores the parameter settings at the time of shipment from the factory, incl. the order-specific settings. Any user-defined linearisation curve as well as the measured value memory are deleted.

Basic settings: Resetting of the parameter settings incl. special parameters to the default values of the respective instrument. Any user programmable linearization curve as well as the measured value memory are deleted.



Note:

You can find the default values of the device in chapter " *Menu overview*".

Copy instrument settings

The instrument settings are copied with this function. The following functions are available:

- **Read from sensor:** Read data from sensor and store into the display and adjustment module
- **Write into sensor:** Store data from the display and adjustment module back into the sensor

The following data or settings for adjustment of the display and adjustment module are saved:

- All data of the menu " *Setup*" and " *Display*"

- In the menu " *Additional adjustments*" the items " *Reset, Date/ Time*"
- The user-programmable linearization curve



The copied data are permanently saved in an EEPROM memory in the display and adjustment module and remain there even in case of power failure. From there, they can be written into one or more sensors or kept as backup for a possible electronics exchange.

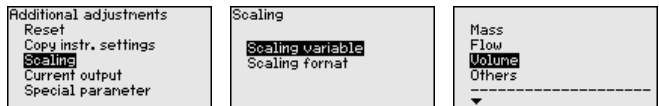


Note:

Before the data are saved in the sensor, a safety check is carried out to determine if the data match the sensor. In the process the sensor type of the source data as well as the target sensor are displayed. If the data do not match, a fault message is outputted or the function is blocked. The data are saved only after release.

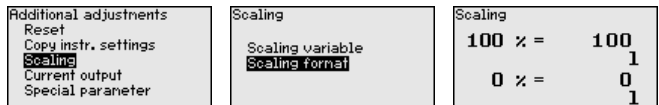
Scaling (1)

In menu item " *Scaling*" you define the scaling variable and the scaling unit for the level value on the display, e.g. volume in l.



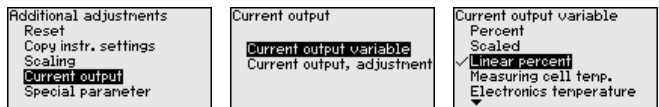
Scaling (2)

In menu item " *Scaling (2)*" you define the scaling format on the display and the scaling of the measured level value for 0 % and 100 %.



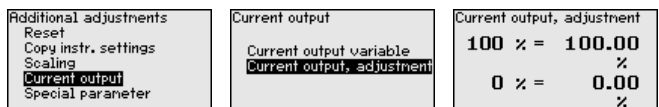
Current output (meas. variable)

In menu item " *Current output, variable*" you specify which measured variable is output via the current output.

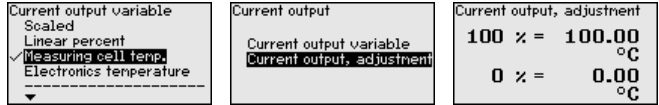


Current output (adjustment)

Depending on the selected measured variable, you assign in the menu item " *Current output, adjustment*" the measured values that 4 mA (0 %) and 20 mA (100 %) of the current output refer to.



If the measuring cell temperature is selected as measured variable, then e.g. 0 °C refers to 4 mA and 100 °C to 20 mA.



Special parameters

In this menu item you gain access to the protected area where you can enter special parameters. In exceptional cases, individual parameters can be modified in order to adapt the sensor to special requirements.

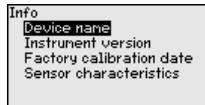
Change the settings of the special parameters only after having contacted our service staff.



Device name

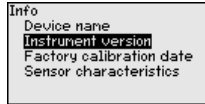
6.5.5 Info

In this menu item, you can read out the instrument name and the instrument serial number:



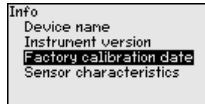
Instrument version

In this menu item, the hardware and software version of the sensor is displayed.



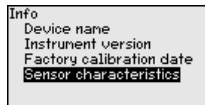
Factory calibration date

In this menu item, the date of factory calibration of the sensor as well as the date of the last change of sensor parameters are displayed via the display and adjustment module or via the PC.



Sensor characteristics

In this menu item, the features of the sensor such as approval, process fitting, seal, measuring range, electronics, housing and others are displayed.



6.6 Menu overview

The following tables show the adjustment menu of the instrument. Depending on the instrument version or application, all menu items may not be available or some may be differently assigned.

Setup

Menu item	Parameter	Default value
Measurement loop name	19 alphanumeric characters/special characters	Sensor
Application	Level, process pressure	Level
Units	Adjustment unit (m, bar, Pa, psi ... user-defined)	mbar (with nominal measuring range ≤ 400 mbar) bar (with nominal measuring ranges ≥ 1 bar)
	Temperature unit ($^{\circ}\text{C}$, $^{\circ}\text{F}$)	$^{\circ}\text{C}$
Position correction	Offset	0.00 bar
Adjustment	Zero/Min. adjustment	0.00 bar 0.00 %
	Span/Max. adjustment	Nominal measuring range in bar 100.00 %
Damping	Integration time	1 s
Linearisation	Linear, cylindrical tank, ... user-defined	Linear
Current output	Current output - Mode	
	Output characteristics: 4 ... 20 mA, 20 ... 4 mA	4 ... 20 mA
	Failure mode: ≤ 3.6 mA, ≥ 20 mA, last measured value	≤ 3.6 mA
	Current output - Min./Max.	
	Min. current: 3.8 mA, 4 mA	3.8 mA
	Max. current: 20 mA, 20.5 mA	20.5 mA
Lock adjustment	Blocked, released	Released

Display

Menu item	Default value
Menu language	Selected language
Displayed value 1	Pressure
Displayed value 2	Ceramic measuring cell: Measuring cell temperature in $^{\circ}\text{C}$ Metallic measuring cell: Electronics temperature in $^{\circ}\text{C}$
Display format	Number of positions after the decimal point, automatically
Backlight	Switched on

Diagnostics

Menu item	Parameter	Default value
Device status		-
Peak value indicator	Pressure	Current pressure measured value
Pointer function temp.	Temperature	Actual measuring cell and electronic temperature
Simulation	Pressure, percent, current output, linearized percent, measuring cell temperature, electronics temperature	Pressure

Additional adjustments

Menu item	Parameter	Default value
Date/Time		Actual date/Actual time
Reset	Delivery status, basic settings	
Copy instrument settings	Read from sensor, write into sensor	
Scaling	Scaling size	Volume in l
	Scaling format	0 % corresponds to 0 l 100 % corresponds to 0 l
Current output	Current output - Meas. variable	Lin. percent - Level
	Current output - Adjustment	0 ... 100 % correspond to 4 ... 20 mA
Current output 2	Current output - Meas. variable	Measuring cell temperature (ceramic measuring cell)
	Current output - Adjustment	0 ... 100 °C correspond to 4 ... 20 mA
Special parameters	Service-Login	No reset

Info

Menu item	Parameter
Device name	VEGABAR 81
Instrument version	Hardware and software version
Factory calibration date	Date
Sensor characteristics	Order-specific characteristics

6.7 Saving the parameterisation data

On paper

We recommended writing down the adjustment data, e.g. in this operating instructions manual, and archiving them afterwards. They are thus available for multiple use or service purposes.

In the display and adjustment module

If the instrument is equipped with a display and adjustment module, the parameter adjustment data can be saved therein. The procedure is described in menu item "Copy device settings".

7 Setup with PACTware

7.1 Connect the PC

Via the interface adapter directly on the sensor

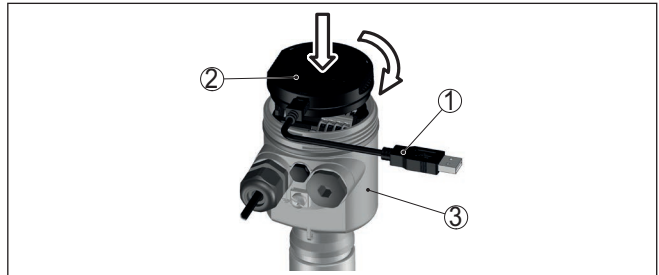


Fig. 30: Connection of the PC directly to the sensor via the interface adapter

- 1 USB cable to the PC
- 2 Interface adapter VEGACONNECT
- 3 Sensor

7.2 Parameter adjustment with PACTware

Prerequisites

For parameter adjustment of the instrument via a Windows PC, the configuration software PACTware and a suitable instrument driver (DTM) according to FDT standard are required. The latest PACTware version as well as all available DTMs are compiled in a DTM Collection. The DTMs can also be integrated into other frame applications according to FDT standard.



Note:

To ensure that all instrument functions are supported, you should always use the latest DTM Collection. Furthermore, not all described functions are included in older firmware versions. You can download the latest instrument software from our homepage. A description of the update procedure is also available in the Internet.

Further setup steps are described in the operating instructions manual "DTM Collection/PACTware" attached to each DTM Collection and which can also be downloaded from the Internet. Detailed descriptions are available in the online help of PACTware and the DTMs.

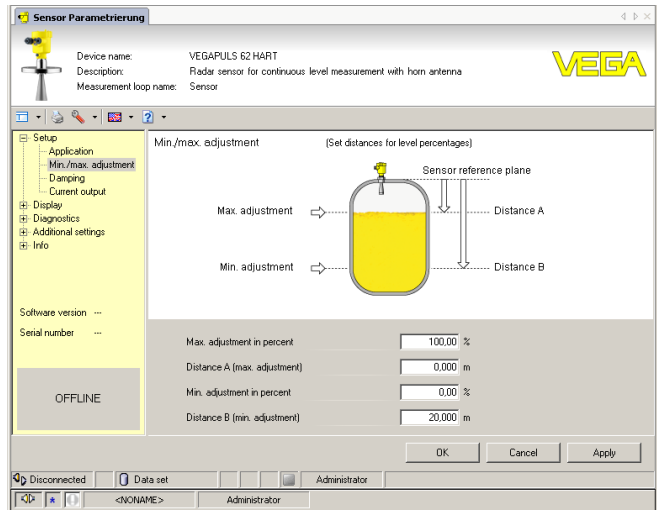


Fig. 31: Example of a DTM view

Standard/Full version

All device DTMs are available as a free-of-charge standard version and as a full version that must be purchased. In the standard version, all functions for complete setup are already included. An assistant for simple project configuration simplifies the adjustment considerably. Saving/printing the project as well as import/export functions are also part of the standard version.

In the full version there is also an extended print function for complete project documentation as well as a save function for measured value and echo curves. In addition, there is a tank calculation program as well as a multiviewer for display and analysis of the saved measured value and echo curves.

The standard version is available as a download under www.vega.com/downloads and "Software". The full version is available on CD from the agency serving you.

7.3 Saving the parameterisation data

We recommend documenting or saving the parameterisation data via PACTware. That way the data are available for multiple use or service purposes.

8 Set up with other systems

8.1 DD adjustment programs

Device descriptions as Enhanced Device Description (EDD) are available for DD adjustment programs such as, for example, AMS™ and PDM.

The files can be downloaded at www.vega.com/downloads under "*Software*".

8.2 Field Communicator 375, 475

Device descriptions for the instrument are available as EDD for parameterisation with Field Communicator 375 or 475.

Integrating the EDD into the Field Communicator 375 or 475 requires the "Easy Upgrade Utility" software, which is available from the manufacturer. This software is updated via the Internet and new EDDs are automatically accepted into the device catalogue of this software after they are released by the manufacturer. They can then be transferred to a Field Communicator.

9 Diagnostics and servicing

9.1 Maintenance

Maintenance

If the device is used properly, no special maintenance is required in normal operation.

Precaution measures against buildup

In some applications, product buildup on the diaphragm can influence the measuring result. Depending on the sensor and application, take precautions to ensure that heavy buildup, and especially a hardening thereof, is avoided.

Cleaning

The cleaning helps that the type label and markings on the instrument are visible.

Take note of the following:

- Use only cleaning agents which do not corrode the housings, type label and seals
- Use only cleaning methods corresponding to the housing protection rating

9.2 Diagnosis function

Failure

Code Text message	Cause	Rectification
F013 No valid measured value available	Gauge pressure or low pressure Measuring cell defective	Exchange measuring cell Send instrument for repair
F017 Adjustment span too small	Adjustment not within specification	Change the adjustment according to the limit values
F025 Error in the linearization table	Index markers are not continuously rising, for example illogical value pairs	Check linearization table Delete table/Create new
F036 no operable sensor software	Failed or interrupted software update	Repeat software update Check electronics version Exchanging the electronics Send instrument for repair
F040 Error in the electronics	Hardware defect	Exchanging the electronics Send instrument for repair
F041 Communication error	No connection to the sensor electronics	Check connection between sensor and main electronics (with separate version)
F080 General software error	General software error	Disconnect operating voltage briefly
F105 Measured value is determined	The instrument is still in the switch-on phase, the measured value could not yet be determined	Wait for the end of the switch-on phase

Code Text message	Cause	Rectification
F113 Communication error	Error in the internal instrument communication	Disconnect operating voltage briefly Send instrument for repair
F260 Error in the calibration	Error in the calibration carried out in the factory Error in the EEPROM	Exchanging the electronics Send instrument for repair
F261 Error in the instrument settings	Error during setup Error when carrying out a reset	Repeat setup Repeat reset
F264 Installation/Setup error	Inconsistent settings (e.g.: distance, adjustment units with application process pressure) for selected application Invalid sensor configuration (e.g.: application electronic differential pressure with connected differential pressure measuring cell)	Modify settings Modify connected sensor configuration or application
F265 Measurement function disturbed	Sensor no longer carries out a measurement	Carry out a reset Disconnect operating voltage briefly

Function check

Code Text message	Cause	Rectification
C700 Simulation active	A simulation is active	Finish simulation Wait for the automatic end after 60 mins.

Out of specification

Code Text message	Cause	Rectification
S600 Impermissible electronics temperature	Temperature of the electronics in the non-specified range	Check ambient temperature Insulate electronics Use instrument with higher temperature range
S603 Impermissible operating voltage	Operating voltage below specified range	Check electrical connection If necessary, increase operating voltage
S605 Impermissible pressure value	Measured process pressure below or above the adjustment range	Check nominal measuring range of the instrument If necessary, use an instrument with a higher measuring range

Maintenance

Code Text message	Cause	Rectification
M500 Error in the delivery status	The data could not be restored during the reset to delivery status	Repeat reset Load XML file with sensor data into the sensor
M501 Error in the non-active linearization table	Index markers are not continuously rising, for example illogical value pairs	Check linearization table Delete table/Create new
M502 Error in the event memory	Hardware error EEPROM	Exchanging the electronics Send instrument for repair
M504 Error at a device interface	Hardware defect	Exchanging the electronics Send instrument for repair
M507 Error in the instrument settings	Error during setup Error when carrying out a reset	Carry out reset and repeat setup

9.3 Rectify faults**Reaction when malfunction occurs**

The operator of the system is responsible for taking suitable measures to rectify faults.

Fault rectification

The first measures are:

- Evaluation of fault messages
- Checking the output signal
- Treatment of measurement errors

A smartphone/tablet with the adjustment app or a PC/notebook with the software PACTware and the suitable DTM offer you further comprehensive diagnostic possibilities. In many cases, the causes can be determined in this way and the faults eliminated.

4 ... 20 mA signal

Connect a multimeter in the suitable measuring range according to the wiring plan. The following table describes possible errors in the current signal and helps to eliminate them:

Error	Cause	Rectification
4 ... 20 mA signal not stable	Fluctuating measured value	Set damping
4 ... 20 mA signal missing	Electrical connection faulty	Check connection, correct, if necessary
	Voltage supply missing	Check cables for breaks; repair if necessary
	Operating voltage too low, load resistance too high	Check, adapt if necessary
Current signal greater than 22 mA, less than 3.6 mA	Sensor electronics defective	Replace device or send in for repair depending on device version

Reaction after fault rectification

Depending on the reason for the fault and the measures taken, the steps described in chapter " *Setup*" must be carried out again or must be checked for plausibility and completeness.

24 hour service hotline

Should these measures not be successful, please call in urgent cases the VEGA service hotline under the phone no. **+49 1805 858550**.

The hotline is also available outside normal working hours, seven days a week around the clock.

Since we offer this service worldwide, the support is provided in English. The service itself is free of charge, the only costs involved are the normal call charges.

9.4 Exchange process module on version IP68 (25 bar)

On version IP68 (25 bar), the user can exchange the process module on site. Connection cable and external housing can be kept.

Required tools:

- Hexagon key wrench, size 2

**Caution:**

The exchange may only be carried out in the complete absence of line voltage.



In Ex applications, only a replacement part with appropriate Ex approval may be used.

**Caution:**

During exchange, protect the inner side of the parts against contamination and moisture.

Proceed as follows when carrying out the exchange:

1. Loosen the fixing screw with the hexagon key wrench
2. Carefully detach the cable assembly from the process module

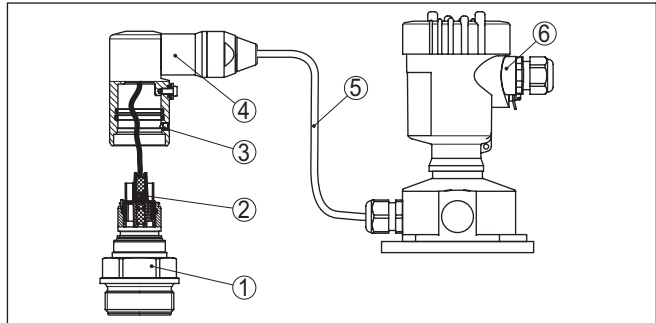


Fig. 32: VEGABAR 81 in IP68 version, 25 bar and lateral cable outlet, external housing

- 1 Process module
- 2 Plug connector
- 3 Fixing screw
- 4 Cable assembly
- 5 Connection cable
- 6 External housing

3. Loosen the plug connector
4. Mount the new process module on the measuring point
5. Plug the connector back in
6. Mount the cable assembly on the process module and turn it to the desired position
7. Tighten the fixing screw with the hexagon key wrench

The exchange is finished.

9.5 Exchanging the electronics module

In case of a defect, the user can replace the electronics module with another one of identical type.



In Ex applications, only instruments and electronics modules with appropriate Ex approval may be used.

You can find detailed information you need to carry out an electronics exchange in the handbook of the electronics module.

9.6 Software update

The following components are required to update the instrument software:

- Instrument
- Voltage supply
- Interface adapter VEGACONNECT
- PC with PACTware
- Current instrument software as file

You can find the current instrument software as well as detailed information on the procedure in the download area of our homepage: www.vega.com.

You can find information about the installation in the download file.

**Caution:**

Instruments with approvals can be bound to certain software versions. Therefore make sure that the approval is still effective after a software update is carried out.

You can find detailed information in the download area at www.vega.com.

9.7 How to proceed if a repair is necessary

You can find an instrument return form as well as detailed information about the procedure in the download area of our homepage. By doing this you help us carry out the repair quickly and without having to call back for needed information.

In case of repair, proceed as follows:

- Print and fill out one form per instrument
- Clean the instrument and pack it damage-proof
- Attach the completed form and, if need be, also a safety data sheet outside on the packaging
- Ask the agency serving you to get the address for the return shipment. You can find the agency on our homepage.

10 Dismount

10.1 Dismounting steps

**Warning:**

Before dismantling, be aware of dangerous process conditions such as e.g. pressure in the vessel or pipeline, high temperatures, corrosive or toxic media etc.

Take note of chapters "*Mounting*" and "*Connecting to voltage supply*" and carry out the listed steps in reverse order.

10.2 Disposal

The instrument consists of materials which can be recycled by specialised recycling companies. We use recyclable materials and have designed the electronics to be easily separable.

WEEE directive

The instrument does not fall in the scope of the EU WEEE directive. Article 2 of this Directive exempts electrical and electronic equipment from this requirement if it is part of another instrument that does not fall in the scope of the Directive. These include stationary industrial plants.

Pass the instrument directly on to a specialised recycling company and do not use the municipal collecting points.

If you have no way to dispose of the old instrument properly, please contact us concerning return and disposal.

11 Supplement

11.1 Technical data

Note for approved instruments

The technical data in the respective safety instructions which are included in delivery are valid for approved instruments (e.g. with Ex approval). These data can differ from the data listed herein, for example regarding the process conditions or the voltage supply.

All approval documents can be downloaded from our homepage.

Materials and weights

Materials, wetted parts

Process fitting	316L
Diaphragm	316L, Alloy C276 (2.4819), Alloy C22 (2.4602), Alloy 400 (2.4360), Tantalum, Titanium, 316L ECTFE coated, 1.4435 with gold coating (25 µm), 316L with 0.25 mm PTFE coating ³⁾
Seal for process fitting (in the scope of delivery)	
– Thread G½ (EN 837), G1½ (DIN 3852-A)	Klingersil C-4400

Surface quality, hygienic process fittings, $R_a < 0.8 \mu\text{m}$ typ.

Materials, non-wetted parts

Sensor housing	
– Housing	Plastic PBT (Polyester), Aluminium AlSi10Mg (powder-coated, basis: Polyester), 316L
– Cable gland	PA, stainless steel, brass
– Cable gland: Seal, closure	NBR, PA
– Seal, housing lid	Silicone SI 850 R, NBR silicone-free
– Inspection window housing cover	Polycarbonate (UL-746-C listed), glass ⁴⁾
– Ground terminal	316L
External housing - deviating materials	
– Housing and socket	Plastic PBT (Polyester), 316L
– Socket seal	EPDM
– Seal below wall mounting plate ⁵⁾	EPDM
– Inspection window housing cover	Polycarbonate (UL-746-C listed), glass ⁶⁾
Ground terminal	316Ti/316L
Connection cable with IP68 (25 bar) version ⁷⁾	
– Cable cover	PE, PUR

³⁾ Plastic coatings (e.g. PTFE, PFA, ECTFE) are not used for corrosion protection, but are only suitable as abrasion protection or non-stick coating.

⁴⁾ Glass with Aluminium and stainless steel precision casting and Ex d housing

⁵⁾ Only for 316L with 3A approval

⁶⁾ Glass with Aluminium and stainless steel precision casting housing

⁷⁾ Between transmitter and external electronics housing.

– Type label support on cable	PE hard
Connection cable with IP68 (1 bar) version ⁸⁾	PE, PUR

Weights

Total weight	approx. 0.8 ... 8 kg (1.764 ... 17.64 lbs), depending on process fitting and housing
--------------	--

Torques

Max. torque for process fitting with thread	40 Nm (29.50 lbf ft)
Max. torque for NPT cable glands and Conduit tubes	
– Plastic housing	10 Nm (7.376 lbf ft)
– Aluminium/Stainless steel housing	50 Nm (36.88 lbf ft)

Input variable - Piezoresistive/Strain gauge measuring cell

The specifications are only an overview and refer to the measuring cell. Limitations due to the material and version of the process fitting as well as the selected pressure type are possible. The specifications on the nameplate apply.⁹⁾

Nominal measuring ranges and overload capability in bar/kPa

Nominal range	Overload capability	
	Maximum pressure	Minimum pressure
Gauge pressure		
0 ... +0.4 bar/0 ... +40 kPa	+1.2 bar/+120 kPa	-1 bar/-100 kPa
0 ... +1 bar/0 ... +100 kPa	+3 bar/+300 kPa	-1 bar/-100 kPa
0 ... +2.5 bar/0 ... +250 kPa	+7.5 bar/+750 kPa	-1 bar/-100 kPa
0 ... +5 bar/0 ... +250 kPa	+15 bar/+1500 kPa	-1 bar/-100 kPa
0 ... +10 bar/0 ... +1000 kPa	+30 bar/+3000 kPa	-1 bar/-100 kPa
0 ... +16 bar/0 ... +1600 kPa	+48 bar/+5000 kPa	-1 bar/-100 kPa
0 ... +25 bar/0 ... +2500 kPa	+75 bar/+7500 kPa	-1 bar/-100 kPa
0 ... +40 bar/0 ... +4000 kPa	+120 bar/+12 MPa	-1 bar/-100 kPa
0 ... +60 bar/0 ... +6000 kPa	+180 bar/+18 MPa	-1 bar/-100 kPa
0 ... +100 bar/0 ... +10 MPa	+200 bar/+20 MPa	-1 bar/-100 kPa
0 ... +160 bar/0 ... +10 MPa	+320 bar/+20 MPa	-1 bar/-100 kPa
0 ... +250 bar/0 ... +25 MPa	+500 bar/+20 MPa	-1 bar/-100 kPa
0 ... +400 bar/0 ... +40 MPa	+800 bar/+80 MPa	-1 bar/-100 kPa
0 ... +600 bar/0 ... +60 MPa	+1200 bar/+120 MPa	-1 bar/-100 kPa
0 ... +1000 bar/0 ... +100 MPa	+1500 bar/+150 MPa	-1 bar/-100 kPa
-1 ... 0 bar/-100 ... 0 kPa	+3 bar/+300 kPa	-1 bar/-100 kPa
-1 ... +1.5 bar/-100 ... +150 kPa	+7.5 bar/+750 kPa	-1 bar/-100 kPa

⁸⁾ Fix connected to the sensor.

⁹⁾ Data on overload capability apply for reference temperature.

Nominal range	Overload capability	
	Maximum pressure	Minimum pressure
-1 ... +5 bar/-100 ... +500 kPa	+15 bar/+1500 kPa	-1 bar/-100 kPa
-1 ... +10 bar/-100 ... +1000 kPa	+30 bar/+3000 kPa	-1 bar/-100 kPa
-1 ... +25 bar/-100 ... +2500 kPa	+75 bar/+7500 kPa	-1 bar/-100 kPa
-1 ... +40 bar/-100 ... +4000 kPa	+120 bar/+12 MPa	-1 bar/-100 kPa
-0.2 ... +0.2 bar/-20 ... +20 kPa	+1.2 bar/+120 kPa	-1 bar/-100 kPa
-0.5 ... +0.5 bar/-50 ... +50 kPa	+3 bar/+300 kPa	-1 bar/-100 kPa
Absolute pressure		
0 ... 1 bar/0 ... 100 kPa	3 bar/300 kPa	0 bar abs.
0 ... 2.5 bar/0 ... 250 kPa	7.5 bar/750 kPa	0 bar abs.
0 ... 5 bar/0 ... 500 kPa	15 bar/1500 kPa	0 bar abs.
0 ... 10 bar/0 ... 1000 kPa	30 bar/3000 kPa	0 bar abs.
0 ... 16 bar/0 ... 1600 kPa	50 bar/5000 kPa	0 bar abs.
0 ... 25 bar/0 ... 2500 kPa	75 bar/+7500 kPa	0 bar abs.
0 ... 40 bar/0 ... 4000 kPa	120 bar/+12 MPa	0 bar abs.

Adjustment ranges

Specifications refer to the nominal measuring range, pressure values lower than -1 bar cannot be set

Min./Max. adjustment:

- Percentage value -10 ... 110 %
- Pressure value -20 ... 120 %

Zero/Span adjustment:

- Zero -20 ... +95 %
- Span -120 ... +120 %
- Difference between zero and span max. 120 % of the nominal range

Max. permissible Turn Down Unlimited (recommended 20 : 1)

Switch-on phase

Start-up time with operating voltage U_B

- ≥ 12 V DC ≤ 9 s
- < 12 V DC ≤ 22 s
- Starting current (for run-up time) ≤ 3.6 mA

Output variable

- Output signal 4 ... 20 mA - passive
- Connection technology Two-wire
- Range of the output signal 3.8 ... 20.5 mA (default setting)
- Signal resolution 0.3 μ A
- Fault signal, current output (adjustable) ≤ 3.6 mA, ≥ 21 mA, last measured value

Max. output current	21.5 mA
Load	See load resistance under Power supply
Damping (63 % of the input variable), adjustable	0 ... 999 s

Output variable - Additional current output

For details on the operating voltage see chapter "Voltage supply"

Output signal	4 ... 20 mA (passive)
Range of the output signal	3.8 ... 20.5 mA (default setting)
Signal resolution	0.3 μ A
Fault signal, current output (adjustable)	Last valid measured value, ≥ 21 mA, ≤ 3.6 mA
Max. output current	21.5 mA
Starting current	≤ 10 mA for 5 ms after switching on, ≤ 3.6 mA
Load	Load resistor, see chapter "Voltage supply"
Damping (63 % of the input variable), adjustable	0 ... 999 s

Dynamic behaviour output

Dynamic characteristics depending on medium and temperature

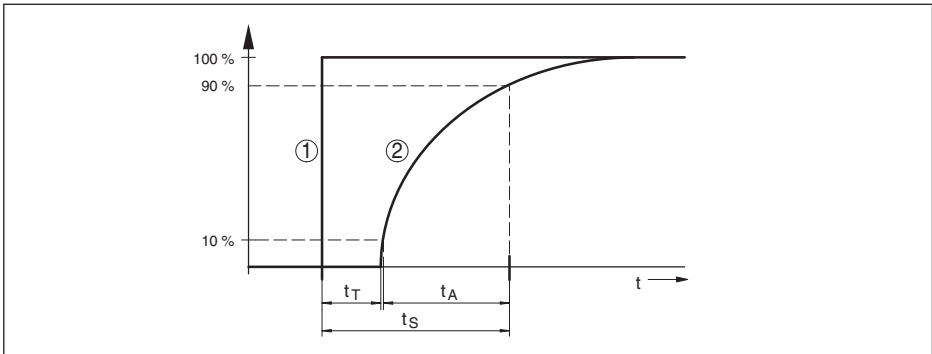


Fig. 33: Sudden change of the process variable. t_T : dead time; t_A : rise time; t_S : jump response time

- 1 Process variable
- 2 Output signal

	VEGABAR 81	VEGABAR 81 - IP68 (25 bar)
Dead time	≤ 25 ms	≤ 50 ms
Rise time (10 ... 90 %)	≤ 55 ms	≤ 150 ms
Step response time (ti: 0 s, 10 ... 90 %)	≤ 80 ms	≤ 200 ms

To this amounts the reaction time of the isolating system. This time varies from values < 1 s with compact chemical seals to several seconds with capillary systems.

Example: Flange-type chemical seal DN 80, filling silicone oil KN 2.2, capillary length 10 m, measuring range 1 bar

Process temperature	Reaction time
+40 °C (+104 °F)	approx. 1.5 s
+20 °C (+58 °F)	approx. 3 s
-20 °C (-4 °F)	approx. 11 s

Damping (63 % of the input variable) 0 ... 999 s, adjustable via menu item "Damping"

Reference conditions and influencing variables (according to DIN EN 60770-1)

Reference conditions according to DIN EN 61298-1

– Temperature	+18 ... +30 °C (+64 ... +86 °F)
– Relative humidity	45 ... 75 %
– Air pressure	860 ... 1060 mbar/86 ... 106 kPa (12.5 ... 15.4 psi)

Determination of characteristics Limit point adjustment according to IEC 61298-2

Characteristic curve Linear

Reference installation position upright, diaphragm points downward

Influence of the installation position depending on the chemical seal version

Deviation in the current output due to strong, high-frequency electromagnetic fields acc. to EN 61326-1 < ±150 µA

Deviation (according to IEC 60770-1)

Applies to the **digital** signal output (HART, Profibus PA, Foundation Fieldbus) as well as to the **analogue** current output 4 ... 20 mA and refers to the set span. Turn down (TD) is the ratio "nominal measuring range/set span".

Accuracy class	Non-linearity, hysteresis and repeatability with TD 1 : 1 up to 5 : 1	Non-linearity, hysteresis and repeatability with 5 : 1
0.2 %	< 0.2 %	< 0.04 % x TD

Influence of the medium or ambient temperature

Thermal change zero signal and output span through product temperature

Applies to the **digital** signal output (HART, Profibus PA, Foundation Fieldbus) as well as to the **analogue** current output 4 ... 20 mA and refers to the set span. Turn down (TD) is the ratio "nominal measuring range/set span".

Average temperature coefficient, zero signal	In the compensated temperature range 10 ... +70 °C (+50 ... +158 °F)	Outside the compensated temperature range
Turn down 1 : 1	< 0.05 %/10 K	typ. < 0.05 %/10 K
Turn down 1 : 1 up to 5 : 1	< 0.1 %/10 K	-
Turn down up to 10 : 1	< 0.15 %/10 K	-

Thermal change current output through ambient temperature

Applies also to the **analogue** 4 ... 20 mA current output and refers to the set span.

Thermal change, current output < 0.05 %/10 K, max. < 0.15 %, each with -40 ... +80 °C (-40 ... +176 °F)

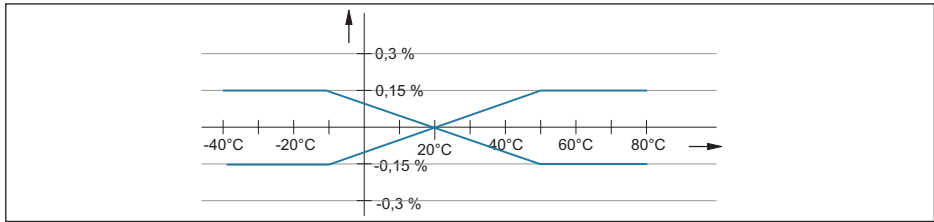


Fig. 34: Thermal change, current output

Additional temperature influence through chemical seal

The specifications refer to diaphragm material 316L as well as isolating liquid silicone oil. They are only used for estimation. The actual values depend on the diameter, material and strength of the diaphragm as well as the isolating liquid. They are available on request.

Temperature coefficient of the chemical seal in mbar/10 K with

- Flange DN 50 PN 40, Form C, DIN 2501 1.2 mbar/10 K
- Flange DN 80 PN 40, Form C, DIN 2501 0.25 mbar/10 K
- Flange DN 80 PN 40, Form C, DIN 2501 with extension 50 mm 1.34 mbar/10 K
- Flange 2" 150 lbs RF, ASME B16.5 1.2 mbar/10 K
- Flange 3" 150 lbs RF, ASME B16.5 0.25 mbar/10 K
- Flange 3" 150 lbs RF, ASME B16.5 with extension 2" 1.34 mbar/10 K

Temperature coefficient of a cooling element, depending on the diaphragm- \emptyset 0.1 ... 1.5 mbar/10 K

Temperature coefficient of a 1 m long capillary line, depending on the diaphragm- \emptyset 0.1 ... 15 mbar/10 K

Long-term stability (according to DIN 16086)

Applies to the respective **digital** signal output (e.g. HART, Profibus PA) as well as to **analogue** current output 4 ... 20 mA under reference conditions. Specifications refer to the set span. Turn down (TD) is the ratio nominal measuring range/set span.

Long-term stability zero signal and output < (0.1 % x TD)/year span¹⁰⁾

Ambient conditions

Version	Ambient temperature	Storage and transport temperature
Standard version	-40 ... +80 °C (-40 ... +176 °F)	-60 ... +80 °C (-76 ... +176 °F)
Version IP66/IP68 (1 bar)	-20 ... +80 °C (-4 ... +176 °F)	-20 ... +80 °C (-4 ... +176 °F)

¹⁰⁾ Depending on which chemical seal is used, the values can also be higher.

Version	Ambient temperature	Storage and transport temperature
Version IP68 (25 bar), with connection cable PUR	-20 ... +80 °C (-4 ... +176 °F)	-20 ... +80 °C (-4 ... +176 °F)
Version IP68 (25 bar), connection cable PE	-20 ... +60 °C (-4 ... +140 °F)	-20 ... +60 °C (-4 ... +140 °F)

Process conditions

Process temperature

The table shows the process temperature for $p_{abs} \geq 1 \text{ bar}/14.5 \text{ psi}$. Process temperature for $p_{abs} < 1 \text{ bar}/14.5 \text{ psi}$ see chapter "Chemical seal for vacuum applications".

Isolating liquid	Version	$p_{abs} \geq 1 \text{ bar}/14.5 \text{ psi}$
Silicone oil VE 2, KN 2	Standard	-40 ... +150 °C (-40 ... +302 °F)
	with cooling element	-40 ... +250 °C (-40 ... +482 °F)
	with capillaries	
Silicone oil KN 17	with cooling element	-90 ... +200 °C (-130 ... +392 °F)
	with capillaries	
High temperature oil VE 32, KN 32	with cooling element	-10 ... +320 °C (+14 ... +752 °F)
	with capillaries	up to 10 h: -10 ... +400 °C (+14 ... +608 °F)
Halocarbon oil KN 21	Standard	-40 ... +150 °C (-40 ... +302 °F)
	For oxygen applications	-40 ... +60 °C (-40 ... +140 °F)
Silicone-free liquid KN 70 ¹¹⁾		-40 ... +70 °C (-40 ... +158 °F)
Medical white oil (FDA) VE 92, KN 92	Standard	-10 ... +150 °C (+14 ... +302 °F)
	with cooling element	-10 ... +250 °C (+14 ... +482 °F)
Neobee KN 59		-20 ... +150 °C (+14 ... +302 °F)

Process pressure

Permissible process pressure see specification "*process pressure*" on the type label.

Permissible process pressure for fittings PN 160 in Alloy 400 (2.4360), see following temperature derating:

¹¹⁾ no vacuum

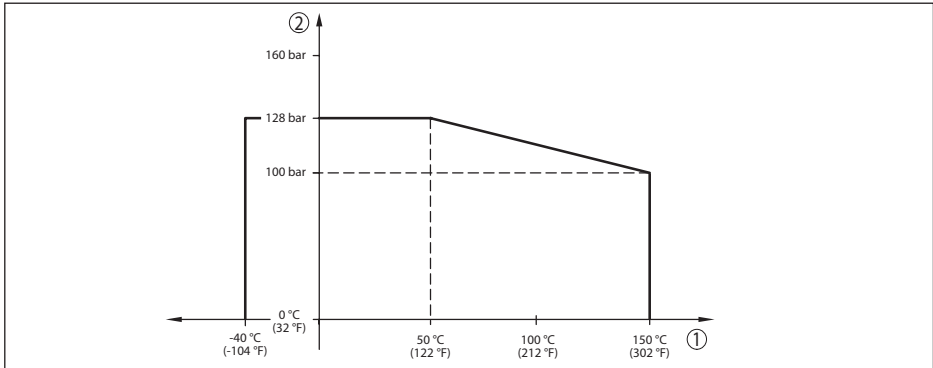


Fig. 35: Temperature derating VEGABAR 81, process fittings Alloy 400 (2.4360)

1 Process temperature

2 Process pressure

Mechanical stress¹²⁾

Vibration resistance

- Standard versions 1 to 4 g at 5 ... 200 Hz according to EN 60068-2-6 (vibration with resonance)
- Version with cooling element and metal housing 0.5 g at 5 ... 200 Hz according to EN 60068-2-6 (vibration with resonance)

Shock resistance

- Standard versions 50 g, 2.3 ms according to EN 60068-2-27 (mechanical shock)
- Version with stainless steel double chamber housing 2 g, 2.3 ms according to EN 60068-2-27 (mechanical shock)

Electromechanical data - version IP66/IP67 and IP66/IP68 (0.2 bar)¹³⁾

Options of the cable entry

- Cable entry M20 x 1.5; ½ NPT
- Cable gland M20 x 1.5, ½ NPT (cable ø see below table)
- Blind plug M20 x 1.5; ½ NPT
- Closing cap ½ NPT

Material cable gland/Seal insert	Cable diameter			
	5 ... 9 mm	6 ... 12 mm	7 ... 12 mm	10 ... 14 mm
PA/NBR	●	●	-	●
Brass, nickel-plated/NBR	●	●	-	-
Stainless steel/NBR	-	-	●	-

Wire cross-section (spring-loaded terminals)

- Massive wire, stranded wire 0.2 ... 2.5 mm² (AWG 24 ... 14)

¹²⁾ Depending on the instrument version.

¹³⁾ IP66/IP68 (0.2 bar), only with absolute pressure.

– Stranded wire with end sleeve 0.2 ... 1.5 mm² (AWG 24 ... 16)

Electromechanical data - version IP66/IP68 (1 bar)

Connection cable, mechanical data

– Configuration Wires, strain relief, breather capillaries, screen braiding, metal foil, mantle

– Standard length 5 m (16.4 ft)

– Min. bending radius (at 25 °C/77 °F) 25 mm (0.984 in)

– Diameter approx. 8 mm (0.315 in)

– Colour - version PE Black

– Colour - version PUR Blue

Connection cable, electrical data

– Wire cross-section 0.5 mm² (AWG 20)

– Wire resistance R 0.037 Ω/m (0.012 Ω/ft)

Electromechanical data - version IP68 (25 bar)

Connection cable transmitter - external housing, mechanical data

– Configuration Wires, strain relief, breather capillaries, screen braiding, metal foil, mantle ¹⁴⁾

– Standard length 5 m (16.40 ft)

– Max. length 180 m (590.5 ft)

– Min. bending radius at 25 °C/77 °F 25 mm (0.985 in)

– Diameter approx. 8 mm (0.315 in)

– Material PE, PUR

– Colour Black, blue

Connection cable transmitter - external housing, electrical data

– Wire cross-section 0.5 mm² (AWG 20)

– Wire resistance 0.037 Ω/m (0.012 Ω/ft)

Additional output parameter - Electronics temperature

Range -40 ... +85 °C (-40 ... +185 °F)

Resolution < 0.1 K

Deviation ± 3 K

Availability of the temperature values

– Indication Via the display and adjustment module

– Output Via the respective output signal

Voltage supply

Operating voltage U_B 9.6 ... 35 V DC

Operating voltage U_B with lighting switched on 16 ... 35 V DC

Reverse voltage protection Integrated

¹⁴⁾ Breather capillaries not with Ex-d version.

Permissible residual ripple

- for U_N 12 V DC ($9.6 \text{ V} < U_B < 14 \text{ V}$) $\leq 0.7 V_{\text{eff}}$ (16 ... 400 Hz)
- for U_N 24 V DC ($18 \text{ V} < U_B < 35 \text{ V}$) $\leq 1.0 V_{\text{eff}}$ (16 ... 400 Hz)

Load resistor

- Calculation $(U_B - U_{\text{min}})/0.022 \text{ A}$
- Example - with $U_B = 24 \text{ V DC}$ $(24 \text{ V} - 9.6 \text{ V})/0.022 \text{ A} = 655 \Omega$

Potential connections and electrical separating measures in the instrument

Electronics	Not non-floating
Reference voltage ¹⁵⁾	500 V AC
Conductive connection	Between ground terminal and metallic process fitting

Electrical protective measures

Housing material	Version	Protection acc. to IEC 60529	Protection acc. to NEMA
Plastic	Single chamber	IP66/IP67	Type 4x
Aluminium		IP66/IP67	Type 4x
		IP66/IP68 (0.2 bar)	Type 6P
Stainless steel (electro-polished)		IP66/IP67	Type 4x
		IP69K	-
Stainless steel (precision casting)		IP66/IP67	Type 4x
		IP66/IP68 (0.2 bar)	Type 6P
Stainless steel	Transmitter for external housing	IP68 (25 bar)	-

Altitude above sea level

- by default up to 2000 m (6562 ft)
- with connected overvoltage protection up to 5000 m (16404 ft)
on the Primary Device

Pollution degree ¹⁶⁾ 4

Protection rating (IEC 61010-1) II

11.2 Chemical seal with vacuum applications

Introduction

A chemical seal has two tasks:

- Separation of the sensor element from the medium
- Transmission of the process pressure hydraulically to the sensor element

The chemical seal is closed off from the medium with a metallic diaphragm. The interior space between this diaphragm and the sensor element is completely filled with a pressure transmission liquid. The chemical seal thus forms a closed system.

¹⁵⁾ Galvanic separation between electronics and metal housing parts

¹⁶⁾ When used with fulfilled housing protection.

Vacuum

With decreasing pressure, the boiling temperature of the pressure transmission liquid decreases. With pressure values $< 1 \text{ bar}_{\text{abs}}$, gas molecules dissolved in the isolating liquid may be released depending on the temperature. This causes measurement deviations.

For that reason, chemical seal systems can only be used to a limited extent in a vacuum, depending on the pressure transmission liquid, process temperature and pressure. To extend the area of application, we offer a so-called vacuum service as an option. The following graphics show the areas of application for the different pressure transmission liquids.

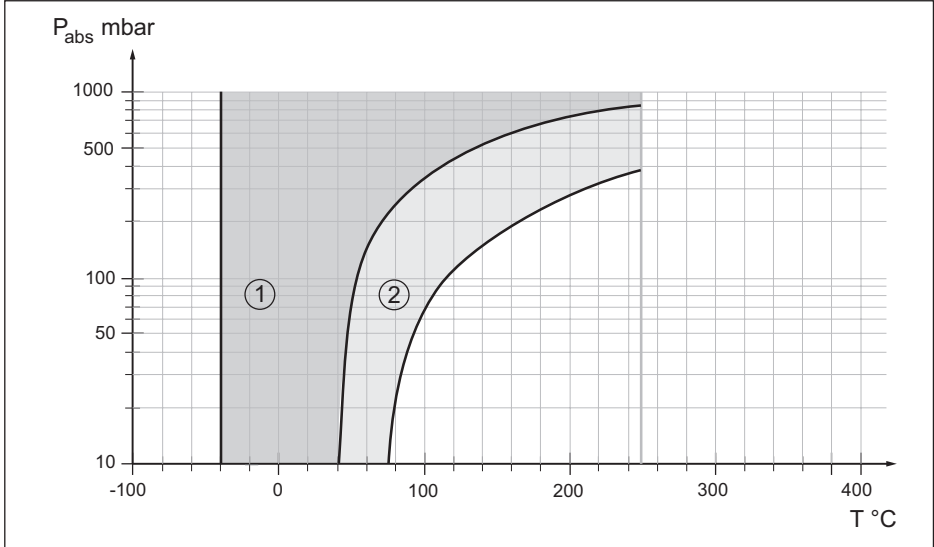


Fig. 36: Area of application for silicone oil VE 2, KN 2

- 1 Standard chemical seal
- 2 Chemical seal with vacuum service

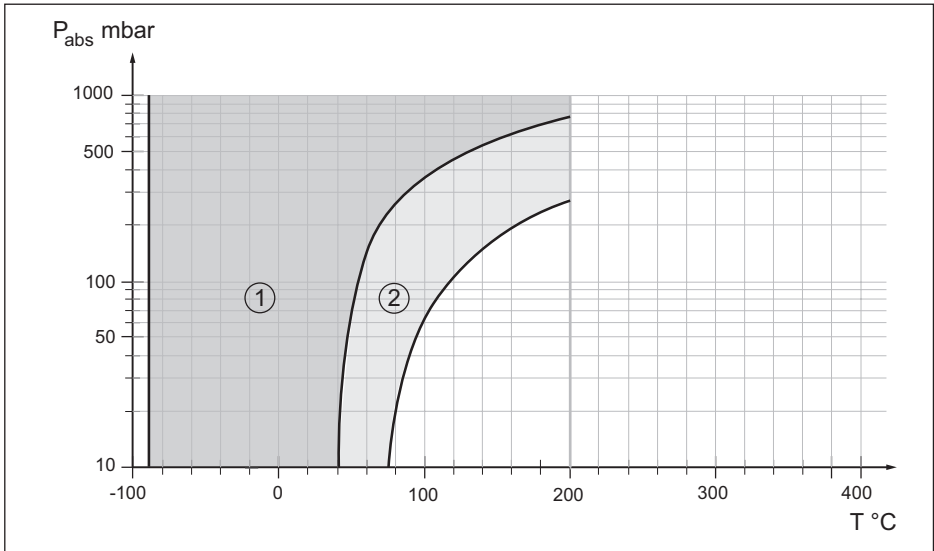


Fig. 37: Area of application for silicone oil KN 17

- 1 Standard chemical seal
- 2 Chemical seal with vacuum service

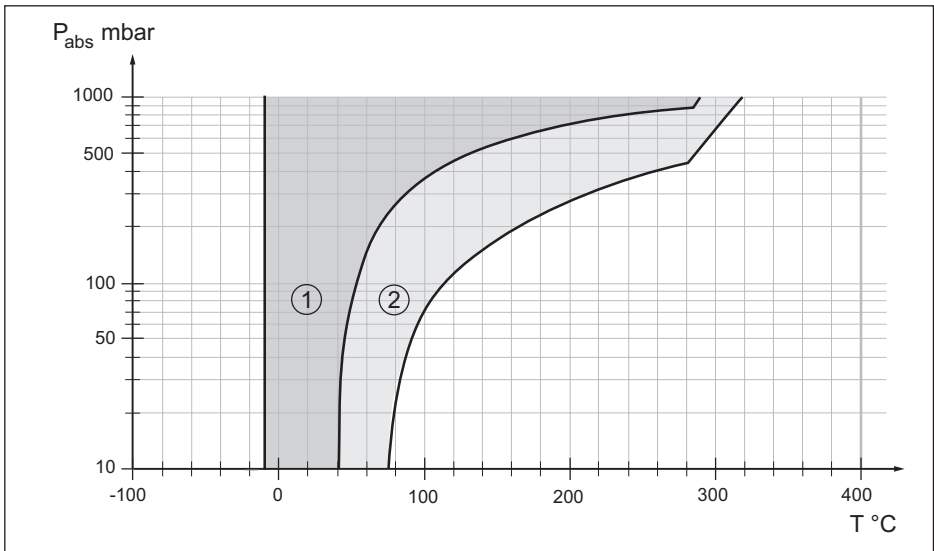


Fig. 38: Area of application for high temperature oil VE 32, KN 32

- 1 Standard chemical seal
- 2 Chemical seal with vacuum service

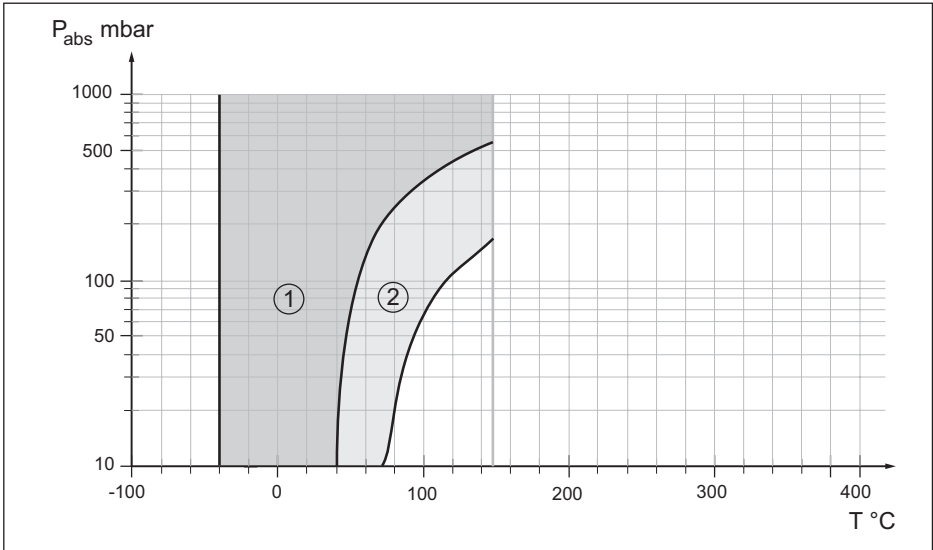


Fig. 39: Area of application for Halocarbon oil KN 21

- 1 Standard chemical seal
- 2 Chemical seal with vacuum service

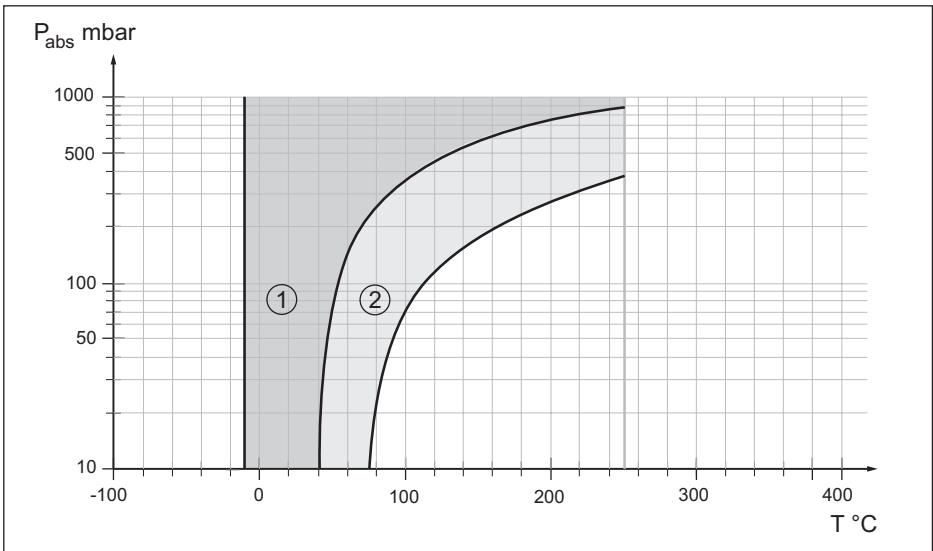


Fig. 40: Area of application for med. white oil VE 92, KN 92

- 1 Standard chemical seal
- 2 Chemical seal with vacuum service

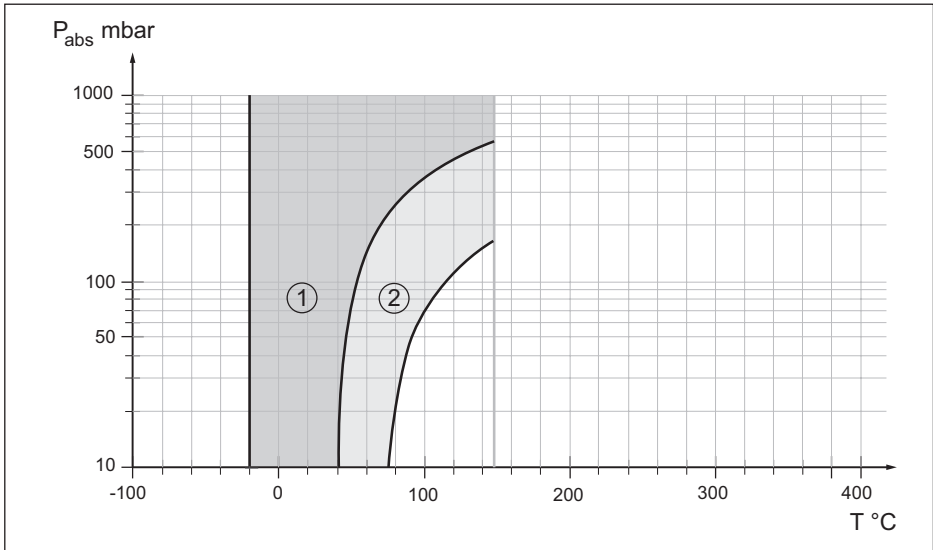


Fig. 41: Area of application for vegetable oil KN 59

- 1 Standard chemical seal
- 2 Chemical seal with vacuum service

11.3 Dimensions

The following dimensional drawings represent only an extract of the possible versions. Detailed dimensional drawings can be downloaded at www.vega.com under "Downloads" and "Drawings".

Housing

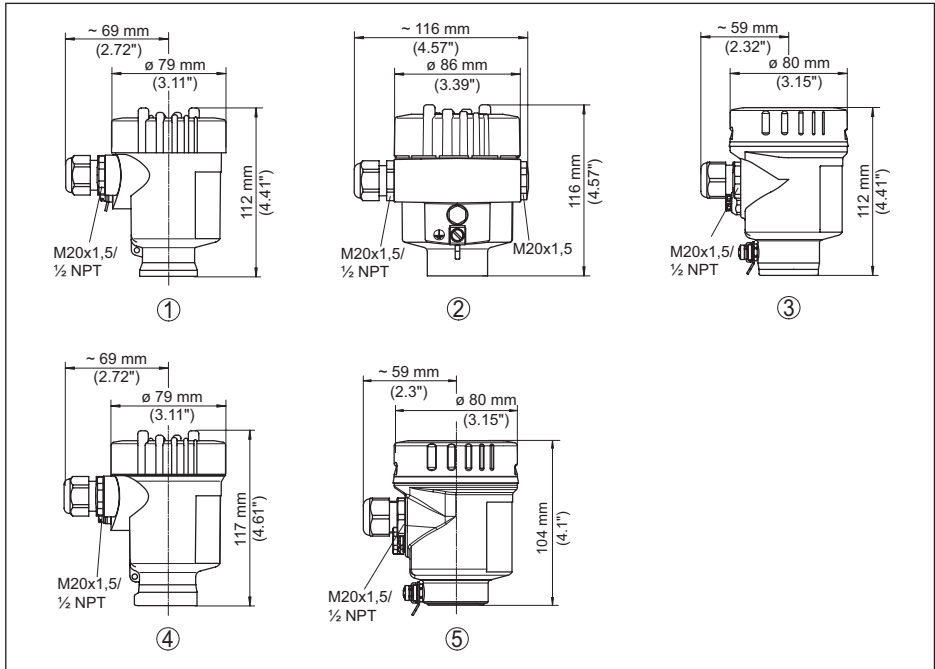


Fig. 42: Housing versions in protection rating IP66/IP67 and IP66/IP68 (0.2 bar), (with integrated display and adjustment module the housing is 9 mm/0.35 in or 18 mm/0.71 in higher)

- 1 Plastic single chamber (IP66/IP67)
- 2 Aluminium - single chamber
- 3 Stainless steel single chamber (electropolished)
- 4 Stainless steel single chamber (precision casting)
- 5 Stainless steel single chamber (electropolished) IP69K

External housing on IP68 version

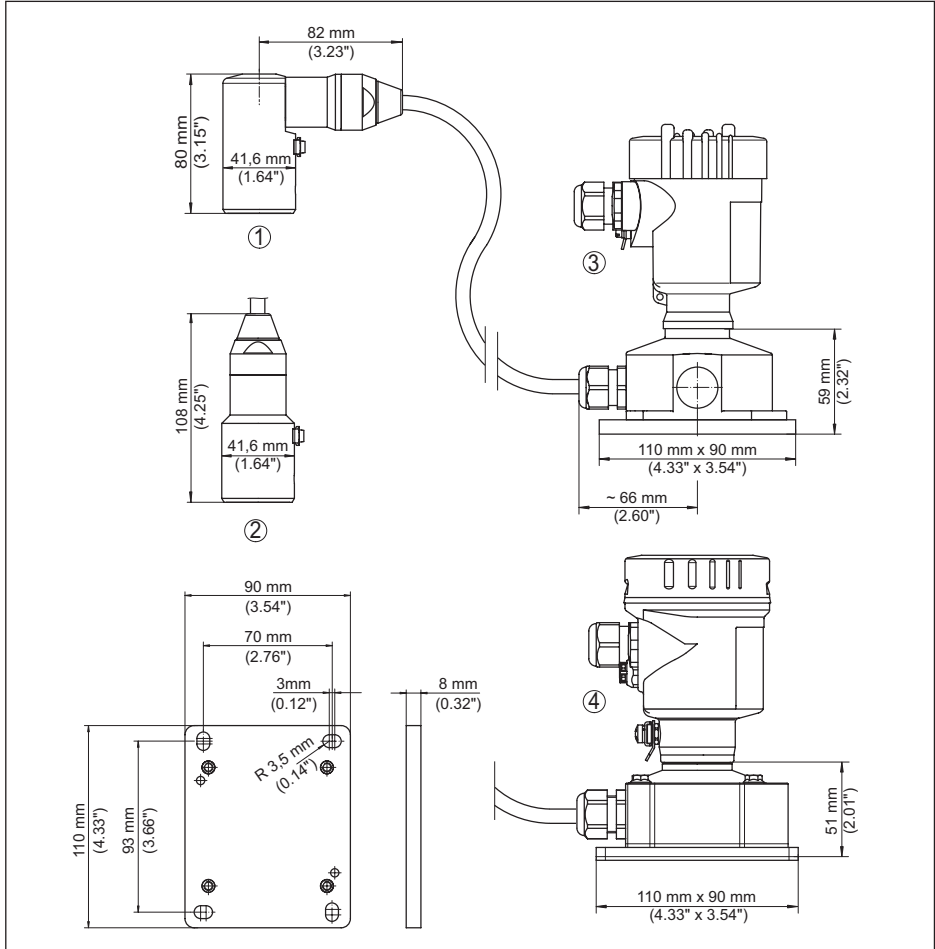


Fig. 43: VEGABAR 81, IP68 version with external housing

- 1 Lateral cable outlet
- 2 Axial cable outlet
- 3 Plastic single chamber
- 4 Stainless steel single chamber
- 5 Seal 2 mm (0.079 in), (only with 3A approval)

VEGABAR 81, threaded fitting

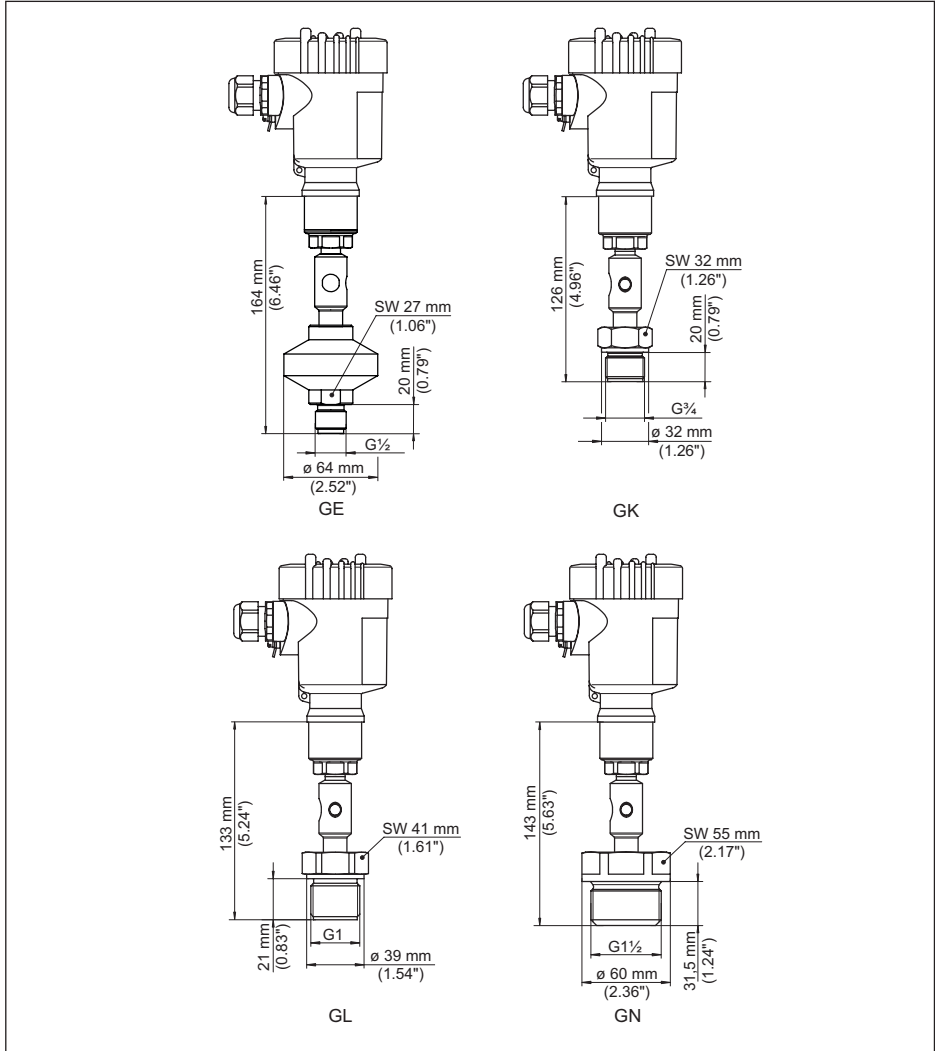


Fig. 44: VEGABAR 81, threaded fitting

GE G $\frac{1}{2}$ A outside PN 160, ISO 228-1; diaphragm: inside; > 105 °C with temperature adapter

GK G $\frac{3}{4}$ A outside PN 600, DIN 3852-E; diaphragm: front-flush

GL G1 A outside PN 600, ISO 228-1; diaphragm: front-flush

GN G1 $\frac{1}{2}$ PN 600, DIN 3852-A; diaphragm: front-flush

VEGABAR 81, tube isolating diaphragm

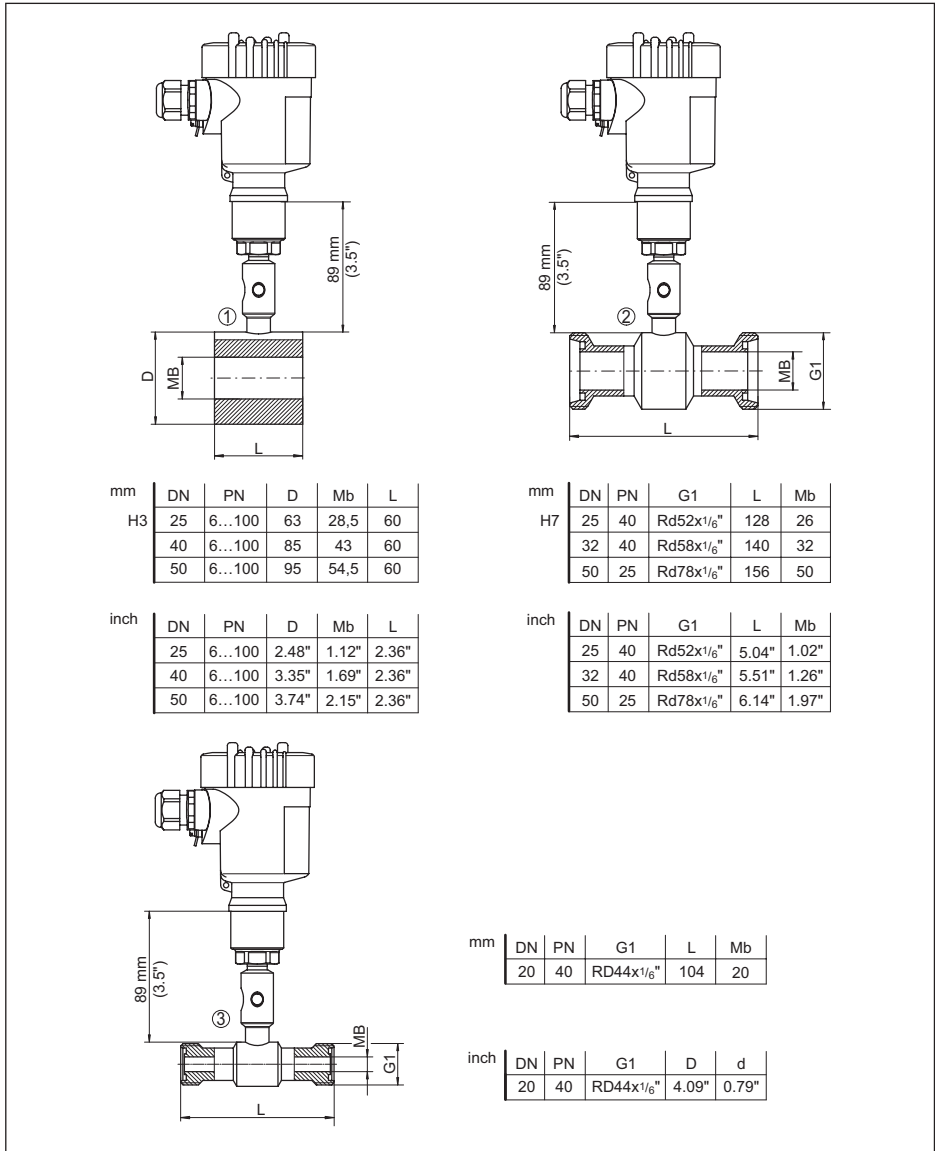


Fig. 45: VEGABAR 81, tube isolating diaphragm

- 1 Tube isolating diaphragm for mounting between flanges
- 2 Tube isolating diaphragm according to DIN 11851
- 3 Tube isolating diaphragm according to DIN 11864-1

VEGABAR 81, flange connection, dimensions in mm

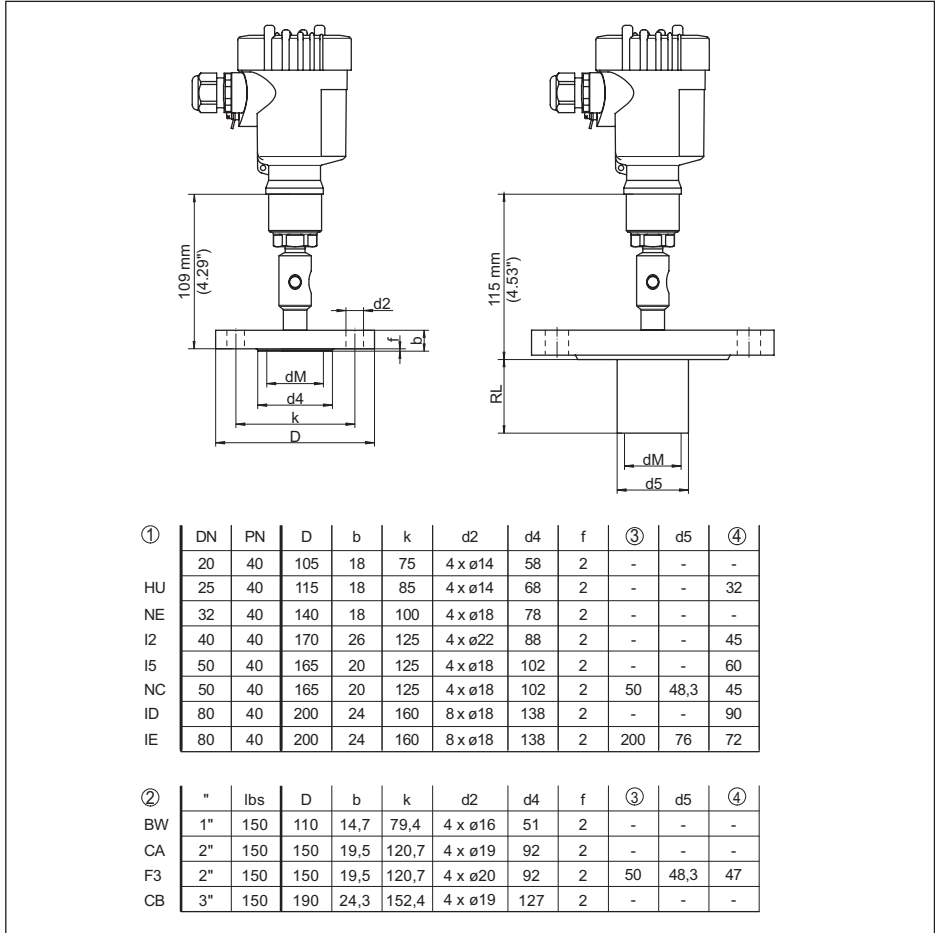


Fig. 46: VEGABAR 81, flange connection, dimensions in mm

- 1 Flange connection according to DIN 2501
- 2 Flange connection according to ASME B16.5
- 3 Order-specific
- 4 Diaphragm diameter

VEGABAR 81, flange connection, dimensions in inch

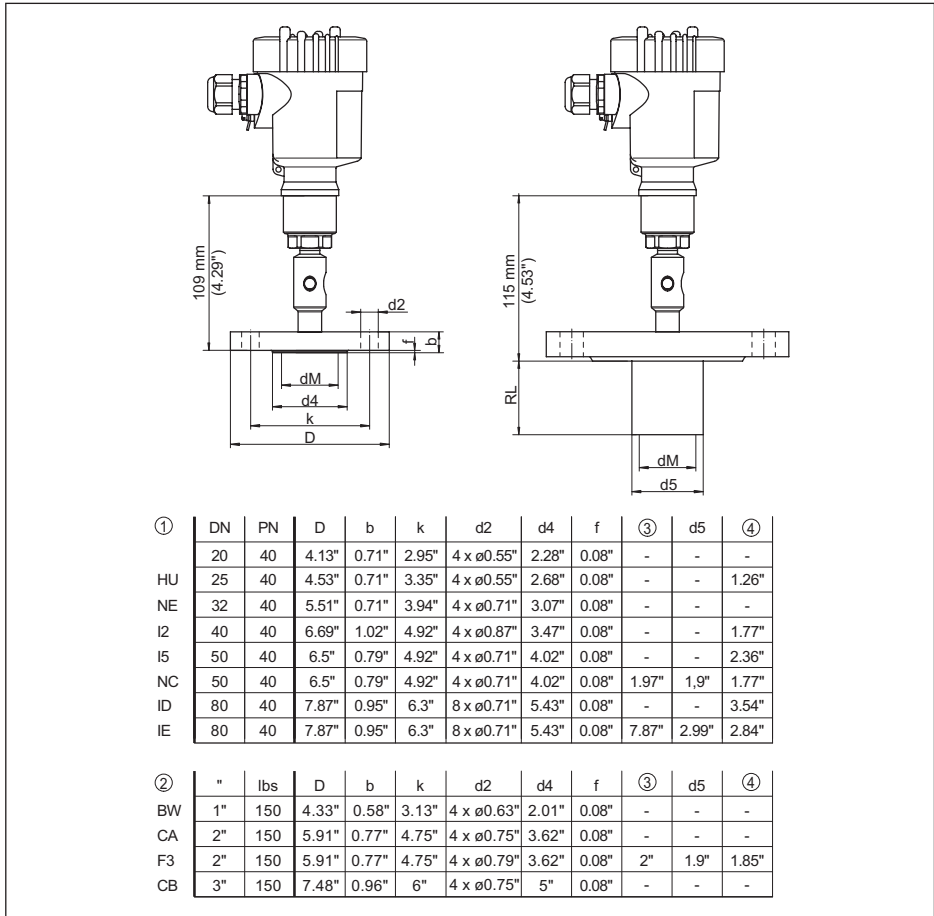


Fig. 47: VEGABAR 81, flange connection, dimensions in inch

- 1 Flange connection according to DIN 2501
- 2 Flange connection according to ASME B16.5
- 3 Order-specific
- 4 Diaphragm diameter

VEGABAR 81, flange and cell isolating diaphragm with capillary line

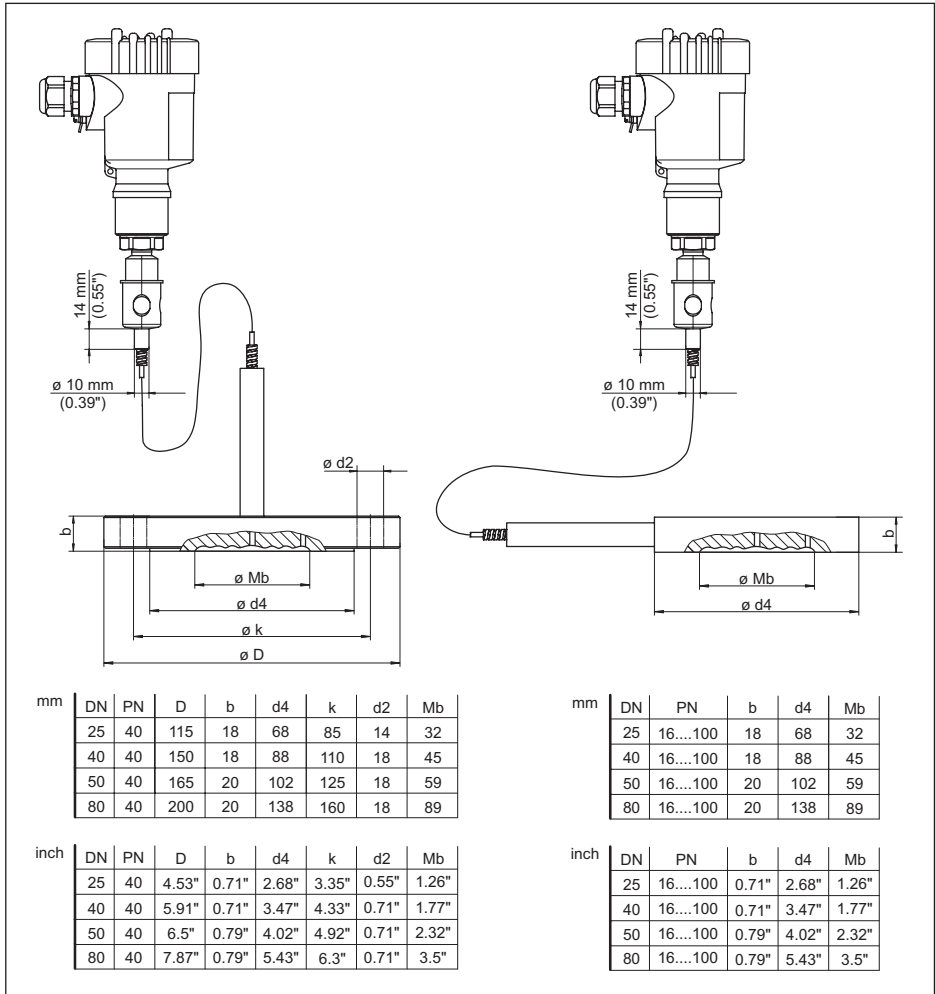


Fig. 48: VEGABAR 81, flange and cell isolating diaphragm with capillary line

- 1 Flange isolating diaphragm with capillary line
- 2 Cell isolating diaphragm with capillary line

11.4 Industrial property rights

VEGA product lines are global protected by industrial property rights. Further information see www.vega.com.

VEGA Produktfamilien sind weltweit geschützt durch gewerbliche Schutzrechte.

Nähere Informationen unter www.vega.com.

Les lignes de produits VEGA sont globalement protégées par des droits de propriété intellectuelle. Pour plus d'informations, on pourra se référer au site www.vega.com.

VEGA líneas de productos están protegidas por los derechos en el campo de la propiedad industrial. Para mayor información revise la pagina web www.vega.com.

Линии продукции фирмы ВЕГА защищаются по всему миру правами на интеллектуальную собственность. Дальнейшую информацию смотрите на сайте www.vega.com.

VEGA系列产品在全球享有知识产权保护。

进一步信息请参见网站 < www.vega.com。

11.5 Trademark

All the brands as well as trade and company names used are property of their lawful proprietor/originator.

INDEX**A**

- Accessories
 - Display and adjustment module 12
- Adjustment 32, 36, 37
 - Process pressure 35, 36
 - System 30
 - Unit 34

C

- Change the language 39
- Check output signal 52
- Chemical seal 9
- Connection cable 22
- Connection procedure 23
- Connection technology 23
- Copy sensor settings 41
- Current output 38, 42

D

- Damping 37
- Differential pressure measurement 9
- Display lighting 40

E

- EDD (Enhanced Device Description) 49
- Electronics and connection compartment - single chamber housing 25, 28
- Error codes 50, 51, 52

F

- Fault
 - Rectification 52
- Fault rectification 52

G

- Grounding 22

L

- Linearisation 37

M

- Maintenance 50
- Measurement setup 18, 19, 20
- Measuring system 10

O

- Oxygen applications 15

P

- Parameterization example 34

- Peak value indicator 40
- Position correction 34
- Pressure compensation 17, 18
 - Ex d 17
- Process pressure measurement 19

R

- Repair 55
- Reset 41

S

- Seal concept 11
- Service access 43
- Service hotline 53
- Set display parameters 39
- Simulation 40

Printing date:

VEGA

All statements concerning scope of delivery, application, practical use and operating conditions of the sensors and processing systems correspond to the information available at the time of printing.

Subject to change without prior notice

© VEGA Grieshaber KG, Schiltach/Germany 2021



45025-EN-210726

VEGA Grieshaber KG
Am Hohenstein 113
77761 Schiltach
Germany

Phone +49 7836 50-0
E-mail: info.de@vega.com
www.vega.com