
**User's
Manual**

UTAdvanced

Functional
Enhancement

**UT55A/UT52A
Digital Indicating Controller
User's Manual**

IM 05P01C31-01EN

vigilantplant

Product Registration

Thank you for purchasing YOKOGAWA products.

YOKOGAWA provides registered users with a variety of information and services. Please allow us to serve you best by completing the product registration form accessible from our homepage.

<http://www.yokogawa.com/ns/reg/>

Introduction

Thank you for purchasing the UT55A/UT52A digital indicating controller (hereinafter referred to as UT55A/UT52A).

This manual describes how to use UT55A/UT52A functions other than UT55A/UT52A's communication function and ladder sequence function. Please read through this user's manual carefully before using the product.

Note that the manuals for the UT55A/UT52A comprise the following nine documents:

• Printed manual

Manual Name	Manual Number	Description
UT55A/UT52A Operation Guide «Standard Code Model»	IM 05P01C31-11EN	This manual describes the basic operation method.
UT55A/UT52A Operation Guide «Detailed Code Model»	IM 05P01C31-15EN	This manual describes the basic operation method.
UT55A/MDL, UT52A/MDL Operation Guide «Standard Code Model»	IM 05P01C81-11EN	This manual describes the basic operation method.
Precautions on the Use of the UTAdvanced Series	IM 05P01A01-11EN	This manual is always delivered even if 'without manuals' was selected.

• Electronic manuals

Manual Name	Manual Number	Description
UT55A/UT52A Operation Guide «Standard Code Model»	IM 05P01C31-11EN	This is identical to the printed manual.
UT55A/UT52A Operation Guide «Detailed Code Model»	IM 05P01C31-15EN	This is identical to the printed manual.
UT55A/MDL, UT52A/MDL Operation Guide «Standard Code Model»	IM 05P01C81-11EN	This manual describes the basic operation method.
UT55A/UT52A User's Manual	IM 05P01C31-01EN	This manual. It describes the usage of all functions except the ladder sequence and communication functions.
UTAdvanced Series Communication Interface (RS-485, Ethernet) User's Manual	IM 05P07A01-01EN	This manual describes how to use UT55A/UT52A in Ethernet and serial communications. For communication wiring, see the Operation Guide or User's Manual.
UTAdvanced Series Communication Interface (Open Network) User's Manual	IM 05P07A01-02EN	This manual describes how to use UT55A in PROFIBUS-DP/DeviceNet/CC-Link communications. For communication wiring, see the Operation Guide or User's Manual.
LL50A Parameter Setting Software Installation Manual	IM 05P05A01-01EN	This manual describes how to install and uninstall the LL50A.
LL50A Parameter Setting Software User's Manual	IM 05P05A01-02EN	This manual describes how to use the LL50A, ladder sequence function, peer-to-peer communication, and network profile creating function.
Precautions on the Use of the UTAdvanced Series	IM 05P01A01-11EN	This manual is always delivered even if 'without manuals' was selected.

* User's Manual can be downloaded from a website.



<http://www.yokogawa.com/ns/ut/im/>

• General Specifications

General Specification Name	GS Number
UT55A/UT52A Digital Indicating Controller	GS 05P01C31-01EN
UT55A/MDL, UT52A/MDL Digital Indicating Controller (DIN Rail Mounting Type)	GS 05P01C81-01EN
LL50A Parameter Setting Software	GS 05P01A01-01EN

* The last two characters of the manual number and general specification number indicate the language in which the manual is written.

- **Authorised Representative in the EEA**

Authorised Representative in the EEA

Yokogawa Europe BV. (Address: Euroweg 2 , 3825 HD Amersfoort, The Netherlands) is the Authorised Representative of Yokogawa Electric Corporation for this Product in the EEA.

Target Readers

This guide is intended for the following personnel;

- Engineers responsible for installation, wiring, and maintenance of the equipment.
- Personnel responsible for normal daily operation of the equipment.

Notice

- The contents of this manual are subject to change without notice as a result of continuing improvements to the instrument's performance and functions.
- Every effort has been made to ensure accuracy in the preparation of this manual. Should any errors or omissions come to your attention, however, please inform Yokogawa Electric's sales office or sales representative.
- Under no circumstances may the contents of this manual, in part or in whole, be transcribed or copied without our permission.

Trademarks

- Our product names or brand names mentioned in this manual are the trademarks or registered trademarks of Yokogawa Electric Corporation (hereinafter referred to as YOKOGAWA).
- Microsoft, MS-DOS, Windows, Windows XP, Windows Vista, and Windows 7 are either registered trademarks or trademarks of Microsoft Corporation in the United States and/or other countries.
- Adobe, Acrobat, and Postscript are either registered trademarks or trademarks of Adobe Systems Incorporated.
- Ethernet is a registered trademark of XEROX Corporation in the United States.
- Modbus is a registered trademark of Schneider Electric.
- PROFIBUS-DP is a registered trademark of PROFIBUS User Organization.
- DeviceNet is a registered trademark of Open DeviceNet Vender Association, Inc.
- CC-Link is a registered trademark of CC-Link Partner Association (CLPA.)
- We do not use the TM or ® mark to indicate these trademarks or registered trademarks in this user's manual.
- All other product names mentioned in this user's manual are trademarks or registered trademarks of their respective companies.

Safety Precautions

This instrument is a product of Installation Category II of IEC/EN/CSA/UL61010-1, IEC/EN61010-2-201, IEC/EN61010-2-030 Safety Standards and Class A of EN61326-1, EN55011 (EMC Standards).



CAUTION

This instrument is an EMC class A product. In a domestic environment, this product may cause radio interference in which case the user needs to take adequate measures.

The instrument is a product rated Measurement Category O (other).

* Measurement Category O (other)

This category applies to electric equipment that measures a circuit connected to a low-voltage facility and receives power from stationary equipment such as electric switchboards.

To use the instrument properly and safely, observe the safety precautions described in this user's manual when operating it. Use of the instrument in a manner not prescribed herein may compromise protection features inherent in the device. We assume no liability for or warranty on a fault caused by users' failure to observe these instructions. This instrument is designed to be used within the scope of Measurement Category O (other) and is dedicated for indoor use.

Notes on the User's Manual

- This user's manual should be readily accessible to the end users so it can be referred to easily. It should be kept in a safe place.
- Read the information contained in this manual thoroughly before operating the product.
- The purpose of this user's manual is not to warrant that the product is well suited to any particular purpose, but rather to describe the functional details of the product.

Safety, Protection, and Modification of the Product

The following symbols are used in the product and user's manuals to indicate safety precautions:



"Handle with Care" (This symbol is attached to the part(s) of the product to indicate that the user's manual should be referred to in order to protect the operator and the instrument from harm.)



AC



AC/DC



The equipment wholly protected by double insulation or reinforced insulation.



Functional grounding terminal (Do not use this terminal as a protective grounding terminal.)

- In order to protect the system controlled by this product and the product itself, and to ensure safe operation, observe the safety precautions described in this user's manual. Use of the instrument in a manner not prescribed herein may compromise the product's functions and the protection features inherent in the device. We assume no liability for safety, or responsibility for the product's quality, performance or functionality should users fail to observe these instructions when operating the product.
- Installation of protection and/or safety circuits with respect to a lightning protector; protective equipment for the system controlled by the product and the product itself; foolproof or failsafe design of a process or line using the system controlled by the product or the product itself; and/or the design and installation of other protective and safety circuits are to be appropriately implemented as the customer deems necessary.
- Be sure to use the spare parts approved by YOKOGAWA when replacing parts or consumables.
- This product is not designed or manufactured to be used in critical applications that directly affect or threaten human lives. Such applications include nuclear power equipment, devices using radioactivity, railway facilities, aviation equipment, air navigation facilities, aviation facilities, and medical equipment. If so used, it is the user's responsibility to include in the system additional equipment and devices that ensure personnel safety.
- Modification of the product is strictly prohibited.
- This product is intended to be handled by skilled/trained personnel for electric devices.
- This product is UL Recognized Component. In order to comply with UL standards, end-products are necessary to be designed by those who have knowledge of the requirements.



WARNING

- **Power Supply**
Ensure that the instrument's supply voltage matches the voltage of the power supply before turning ON the power.
- **Do Not Use in an Explosive Atmosphere**
Do not operate the instrument in locations with combustible or explosive gases or steam. Operation in such environments constitutes an extreme safety hazard. Use of the instrument in environments with high concentrations of corrosive gas (H₂S, SO_x, etc.) for extended periods of time may cause a failure.
- **Do Not Remove Internal Unit**
The internal unit should not be removed by anyone other than YOKOGAWA's service personnel. There are dangerous high voltage parts inside. Additionally, do not replace the fuse by yourself.
- **Damage to the Protective Construction**
Operation of the instrument in a manner not specified in this user's manual may damage its protective construction.

Warning and Disclaimer

- YOKOGAWA makes no warranties regarding the product except those stated in the WARRANTY that is provided separately.
- The product is provided on an "as is" basis. YOKOGAWA assumes no liability to any person or entity for any loss or damage, direct or indirect, arising from the use of the product or from any unpredictable defect of the product.

Notes on Software

- YOKOGAWA makes no warranties, either expressed or implied, with respect to the software's merchantability or suitability for any particular purpose, except as specified in the terms of the separately provided warranty.
- This software may be used on one specific machine only.
- To use the software on another machine, the software must be purchased again separately.
- It is strictly prohibited to reproduce the product except for backup purposes.
- Store the software CD-ROM (the original medium) in a safe place.
- All reverse-engineering operations, such as reverse compilation or the reverse assembly of the product are strictly prohibited.
- No part of the product's software may be transferred, converted, or sublet for use by any third party, without prior written consent from YOKOGAWA.

Handling Precautions for the Main Unit

- The instrument comprises many plastic components. To clean it, wipe it with a soft, dry cloth. Do not use organic solvents such as benzene or thinner for cleaning, as discoloration or deformation may result.
- Keep electrically charged objects away from the signal terminals. Not doing so may cause the instrument to fail.
- Do not apply volatile chemicals to the display area, operation keys, etc. Do not leave the instrument in contact with rubber or PVC products for extended periods. Doing so may result in failure.
- If the equipment emits smoke or abnormal smells or makes unusual noises, turn OFF the instrument's power immediately and unplug the device. In such an event, contact your sales representative.

Checking the Contents of the Package

Unpack the box and check the contents before using the product. If the product is different from that which you have ordered, if any parts or accessories are missing, or if the product appears to be damaged, contact your sales representative.

UT55A/UT52A Main Unit

The UT55A/UT52A main units have nameplates affixed to the side of the case. Check the model and suffix codes inscribed on the nameplate to confirm that the product received is that which was ordered.

No. (Instrument number)

When contacting your sales representative, inform them of this number, too.

Model and Suffix Codes of UT55A (for Standard Code Model)

Model	Suffix code	Optional suffix code	Description
UT55A			Digital Indicating Controller (Power supply: 100-240 V AC) (provided with retransmission output or 15 V DC loop power supply, 3 DIs, and 3 DOs)
Type 1:	-0		Standard type
Basic control	-1		Position proportional type
	-2		Heating/cooling type
Type 2: Functions	0		None
	1		Remote (1 additional aux. analog) input, 6 additional DIs, 5 additional DOs, and RS-485 communication (Max.19.2 kbps, 2-wire/4-wire) (*1) (*2)
	2		Remote (1 additional aux. analog) input, 1 additional DI, and RS-485 communication (Max.19.2 kbps, 2-wire/4-wire) (*2)
	3		5 additional DIs and 5 additional DOs
	4		Remote (1 additional aux. analog) input and 1 additional DI
	5		Remote (1 additional aux. analog) input, 6 additional DIs, and 5 additional DOs
	6		5 additional DIs and 15 additional DOs
Type 3: Open networks	7		3 additional aux. analog inputs and 3 additional DIs
	0		None
	1		RS-485 communication (Max.38.4 kbps, 2-wire/4-wire)
	2		Ethernet communication (with serial gateway function)
	3		CC-Link communication (with Modbus master function)
Display language (*3)	4		PROFIBUS-DP communication (with Modbus master function)
	5		DeviceNet communication (with Modbus master function)
Case color	-1		English (Default. Can be switched to other language by the setting.)
	-2		German (Default. Can be switched to other language by the setting.)
	-3		French (Default. Can be switched to other language by the setting.)
	-4		Spanish (Default. Can be switched to other language by the setting.)
Fixed code	0		White (Light gray)
	1		Black (Light charcoal gray)
Optional suffix codes	-00		Always "-00" (for Standard Code Model)
Optional suffix codes	/DR		Additional direct input (TC and 3-wire/4-wire RTD) and current input to Remote (1 additional aux. analog) input, 1 DI to be deleted (*4)
	/LP		24 V DC loop power supply (*5)
	/HA		Heater break alarm (*6)
	/DC		Power supply 24 V AC/DC
	/CT		Coating (*7)
	/MDL		Mount on DIN rail (please see the General Specifications GS 05P01C81-01EN.)

- *1: When the Type 2 code is "1" or "6", only "0" can be specified for the Type 3 code.
- *2: When the /LP option is specified, the RS-485 communication of the Type 2 code "1" or "2" is 2-wire system.
- *3: English, German, French, and Spanish are available for the guide display.
- *4: The /DR option can be specified when the Type 2 code is any of "1", "2", "4", "5", or "7."
- *5: The /LP option can be specified in the combination of Type 2 code (any of "0", "2", "3", or "4") and Type 3 code (any of "0" or "1"). Additionally the /LP option can be specified in the combination of Type 2 code "1" and Type 3 code "0".
- *6: The /HA option can be specified only when the Type 1 code is "-0."
- *7: When the /CT option is specified, the UT55A does not conform to the safety standards (UL and CSA) and CE marking (Products with /CT option are not intended for EEA-market).

Model and Suffix Codes of UT52A (for Standard Code Model)

Model	Suffix code	Optional suffix code	Description
UT52A			Digital Indicating Controller (Power supply: 100-240 V AC) (provided with retransmission output or 15 V DC loop power supply, 3 DIs, and 3 DOs)
Type 1:	-0		Standard type
Basic control	-1		Position proportional type
	-2		Heating/cooling type
Type 2: Functions	0		None
	1		Remote (1 additional aux. analog) input, 1 additional DI, and RS-485 communication (Max. 38.4 kbps, 2-wire)
	2		Remote (1 additional aux. analog) input and 1 additional DI
	3		2 additional DIs and 2 additional DOs
Type 3: Open networks	0		None
			CC-Link communication (with Modbus master function) (*1)
Display language (*2)	-1		English (Default. Can be switched to other language by the setting.)
	-2		German (Default. Can be switched to other language by the setting.)
	-3		French (Default. Can be switched to other language by the setting.)
	-4		Spanish (Default. Can be switched to other language by the setting.)
Case color	0		White (Light gray)
	1		Black (Light charcoal gray)
Fixed code		-00	Always "-00" (for Standard Code Model)
Optional suffix codes		/DR	Additional direct input (TC and 3-wire/4-wire RTD) and current input to Remote (1 additional aux. analog) input, 1 DI to be deleted (*3)
		/LP	24 V DC loop power supply (*4)
		/HA	Heater break alarm (*5)
		/DC	Power supply 24 V AC/DC
		/CT	Coating (*6)
		/MDL	Mount on DIN rail (please see the General Specifications GS 05P01C81-01EN.)

*1: The Type 3 code "3" can be specified only when the Type 1 code is "-0" and the Type 2 code is "0."

*2: English, German, French, and Spanish are available for the guide display.

*3: The /DR option can be specified only when the Type 2 code is "2" and the Type 3 code is "0."

*4: The /LP option can be specified only when the Type 1 code is "-0" or "-1." Furthermore both Type 2 and Type 3 codes should be "0."

*5: The /HA option can be specified only when the Type 1 code is "-0" and the Type 3 code is "0."

*6: When the /CT option is specified, the UT52A does not conform to the safety standards (UL and CSA) and CE marking (Products with /CT option are not intended for EEA-market).

Model and Suffix Codes of UT55A/MDL (for Standard Code Model)

Model	Suffix code	Optional suffix code	Description
UT55A		/MDL (Required)	Controller (Power supply: 100-240 V AC) (provided with retransmission output or 15 V DC loop power supply, 3 DIs, and 3 DOs)
Type 1: Basic control	-0		Standard type
	-2		Heating/cooling type
Type 2: Functions	0		None
	2		Remote (1 additional aux. analog) input, 1 additional DI, and RS-485 communication (Max.19.2 kpbs, 2-wire/4-wire) (*1)
	3		5 additional DIs and 5 additional DOs
	4		Remote (1 additional aux. analog) input and 1 additional DI
	5		Remote (1 additional aux. analog) input, 6 additional DIs, and 5 additional DOs
	7		3 additional aux. analog inputs and 3 additional DIs
Type 3: Open networks	0		None
	1		RS-485 communication (Max.38.4 kbps, 2-wire/4-wire)
	2		Ethernet communication (with serial gateway function)
	3		CC-Link communication (with Modbus master function)
	4		PROFIBUS-DP communication (with Modbus master function)
	5		DeviceNet communication (with Modbus master function)
Fixed code	-1		Temperature unit: deg C & deg F
Case color	1		Black (Light charcoal gray)
Fixed code	-00		Always "-00" (for Standard Code Model)
Optional suffix codes		/MDL (Required)	Mount on DIN rail
		/LP	24 V DC loop power supply (*2)
		/DC	Power supply 24 V AC/DC
		/CT	Coating (*3)

- *1: When the /LP option is specified, the RS-485 communication of the Type 2 code "2" is 2-wire system.
- *2: The /MDL option and /LP option can be specified in the combination of Type 2 code (any of "0", "2", "3", or "4") and Type 3 code "1".
- *3: When the /CT option is specified, the UT55A does not conform to the safety standards (UL and CSA) and CE marking (Products with /CT option are not intended for EEA-market).

Model and Suffix Codes of UT52A/MDL (for Standard Code Model)

Model	Suffix code	Optional suffix code	Description
UT52A		/MDL (Required)	Controller (Power supply: 100-240 V AC) (provided with retransmission output or 15 V DC loop power supply, 3 DIs, and 3 DOs)
Type 1: Basic control	-0		Standard type
Type 2: Functions	0		None
	1		Remote (1 additional aux. analog) input, 1 additional DI, and RS-485 communication (Max. 38.4 kbps, 2-wire)
Type 3: Open networks	0		None
			CC-Link communication (with Modbus master function)
Fixed code	-1		Temperature unit: deg C & deg F
Case color	1		Black (Light charcoal gray)
Fixed code	-00		Always "-00" (for Standard Code Model)
Optional suffix codes		/MDL (Required)	Mount on DIN rail (*1)
		/DC	Power supply 24 V AC/DC
		/CT	Coating (*2)

*1: When the /MDL option is specified, the model and the suffix codes are as follows:
 UT52A-010-11-00/x/MDL
 UT52A-003-11-00/x/MDL

*2: When the /CT option is specified, the UT52A does not conform to the safety standards (UL and CSA) and CE marking (Products with /CT option are not intended for EEA-market).

Model and Suffix Codes of UT55A (for Detailed Code Model)

Model	Suffix code	Optional suffix code	Description
UT55A			Digital Indicating Controller (Power supply: 100-240 V AC) (provided with 3 DIs, and 3 DOs)
Fixed code	-NNN		Always "-NNN" (for detailed code model)
Display language (*1)	-1		English (Default. Can be switched to other language by the setting.)
	-2		German (Default. Can be switched to other language by the setting.)
	-3		French (Default. Can be switched to other language by the setting.)
	-4		Spanish (Default. Can be switched to other language by the setting.)
Case color	0		White (Light gray)
	1		Black (Light charcoal gray)
Output 1 (*2) (*3)	-A		Analog output (current/voltage pulse)
	-R		Relay output (c-contact)
	-U		Universal output (current/voltage pulse/relay)
	-T		Triac output
	-P		Position proportional output
Output 2 (*2) (*3)	A		Analog output (current/voltage pulse)
	R		Relay output (c-contact)
	U		Universal output (current/voltage pulse/relay)
	T		Triac output
	N		None
Retransmission output		/RT	Retransmission output or 15 V DC power supply
Heater break alarm (*3)		/HA	Heater break alarm
E1 terminal area (*4)		/R1	Remote (1 additional aux. analog) input and 1 additional DI
		/U1	1 additional universal input (TC/RTD/DCV/mA)
		/X1	5 additional DIs
		/Y1	5 additional DOs
		/W1	2 additional DIs and 2 additional DOs
E2 terminal area (*4)		/A2	1 additional aux. analog input and 1 additional DI
		/X2	5 additional DIs
		/Y2	5 additional DOs
		/W2	2 additional DIs and 2 additional DOs
E3 terminal area (*4) (*5)		/CH3	RS485 communication (Max. 38.4 kbps, 2-wire/4-wire)
		/CC3	CC-Link communication
		/PD3	PROFIBUS-DP communication
		/DN3	DeviceNet communication
		/ET3	Ethernet communication (with serial gateway function)
		/X3	5 additional DIs
		/Y3	5 additional DOs
		/W3	2 additional DIs and 2 additional DOs
E4 terminal area (*4) (*5)		/A4	1 additional aux. analog input and 1 additional DI
		/C4	RS485 communication (Max. 19.2 kbps, 2-wire/4-wire)
		/L4	24 V DC loop power supply
		/AC4	1 additional aux. analog input, 1 additional DI, and RS485 communication (Max.19.2 kbps, 2-wire)
		/LC4	24 V DC loop power supply and RS485 communication (Max.19.2 kbps, 2-wire)
		/X4	5 additional DIs
		/Y4	5 additional DOs
		/W4	2 additional DIs and 2 additional DOs
Power supply		/DC	Power supply 24 V AC/DC
Additional treatment (*6)		/CT	Coating

- *1: English, German, French, and Spanish are available for the guide display.
- *2: For heating/cooling output, both Output 1 and Output 2 should be specified. Not available when Output 2 is "N." For position proportional output, specify "-P" for Output 1 and "N" for Output 2.
- *3: The /HA option can be specified only when the code for Output 1 and 2 is "-AN", "-RN", "-UN" or "-TN."
- *4: Only one option is available for each terminal area of E1 to E4.
- *5: The /L4 and /LC4 options for E4 terminal area can be specified only when the E3 terminal area option is not specified or specified any of /CH3, /X3, /Y3 or /W3.
- *6: When the /CT option is specified, the UT55A does not conform to the safety standards (UL and CSA) and CE marking (Products with /CT option are not intended for EEA-market).

Model and Suffix Codes of UT52A (for Detailed Code Model)

Model	Suffix code	Optional suffix code	Description
UT52A			Digital Indicating Controller (Power supply: 100-240 V AC) (provided with 3 DIs, and 3 DOs)
Fixed code	-NNN		Always "-NNN" (for detailed code model)
Display language (*1)	-1		English (Default. Can be switched to other language by the setting.)
	-2		German (Default. Can be switched to other language by the setting.)
	-3		French (Default. Can be switched to other language by the setting.)
	-4		Spanish (Default. Can be switched to other language by the setting.)
Case color	0		White (Lithg gray)
	1		Black (Light charcoal gray)
Output 1 (*2) (*3) (*4)	-A		Analog output (current/voltage pulse)
	-R		Relay output (c-contact)
	-U		Universal output (current/voltage pulse/relay)
	-T		Triac output
	-P		Position proportional output
Output 2 (*2) (*3) (*4) (*5)	A		Analog output (current/voltage pulse)
	R		Relay output (a-contact)
	U		Universal output (current/voltage pulse/relay)
	N		None
Retransmission output		/RT	Retransmission output or 15 V DC power supply
Heater break alarm (*3)		/HA	Heater break alarm
E1 terminal area (*5) (*6)		/R1	Remote (1 additional aux. analog) input and 1 additional DI
		/U1	1 additional universal input (TC/RTD/DCV/mA)
		/L1	24 V DC loop power supply
		/CH1	RS485 communication (Max. 38.4 kbps, 2-wire/4-wire)
		/RCH1	Remote (1 additional aux. analog) input, 1 additional DI, and RS485 communication (Max.38.4 kbps, 2-wire)
		/LCH1	24 V DC loop power supply and RS485 communication (Max. 38.4 kbps, 2-wire)
		/X1	5 additional DIs
		/Y1	5 additional DOs
Power supply		/W1	2 additional DIs and 2 additional DOs
Power supply		/DC	Power supply 24 V AC/DC
Additional treatment (*7)		/CT	Coating

- *1: English, German, French, and Spanish are available for the guide display.
- *2: For heating/cooling output, both Output 1 and Output 2 should be specified. Not available when Output 2 is "N." For position proportional output, specify "-P" for Output 1 and "N" for Output 2.
- *3: The /HA option can be specified only when the code for Output 1 and 2 is "-AN", "-RN", "-UN" or "-TN."
- *4: When the code for Output 1 is "-R" or "-U" and Output 2 is "R" or "U", Output 1 is changed from the contact point c to the contact point a. When the code for Output 1 is specified to "-T", only "A" or "N" is available for Output 2.
- *5: The /L1 or /LCH option can be specified only when the code for Output 2 is "N."
- *6: Only one option is available for E1 terminal area.
- *7: When the /CT option is specified, the UT52A does not conform to the safety standards (UL and CSA) and CE marking (Products with /CT option are not intended for EEA-market).

Coating Treatment

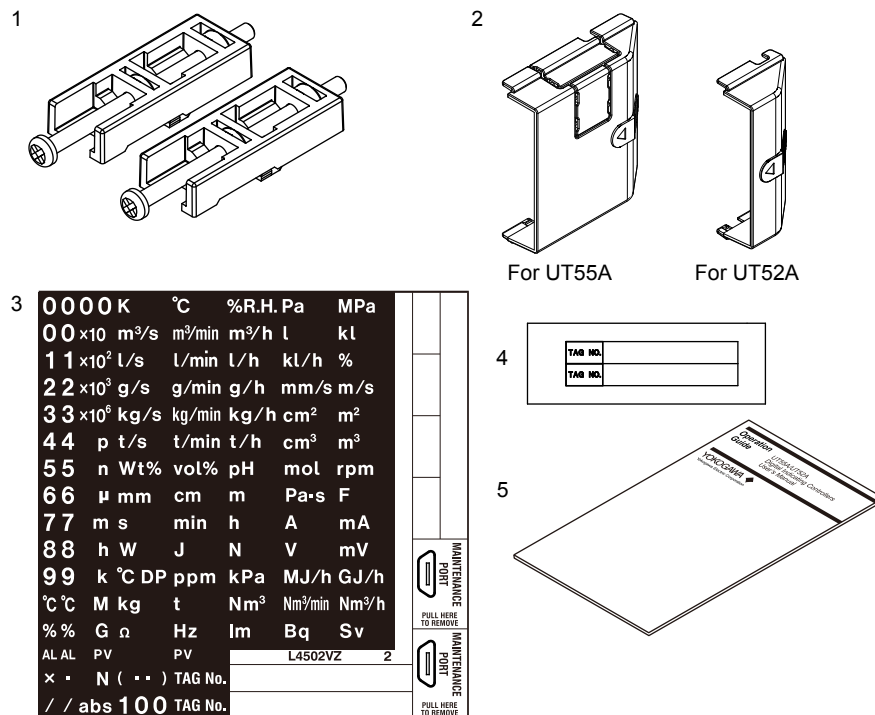
- (1) HumiSeal coating treatment
 - Apply HumiSeal coating to the printed circuit board assembly.
 - Do not apply HumiSeal coating to the following parts: connector, gold-plated contact area, relay part, RJC device, and in the vicinity of the push switch/LED lamp.
- (2) Apply terminal coating to the gold-plated contact area on the printed circuit board.

Notes

- There are two treatments as described above, but we do not guarantee their effectiveness. We do not supply any test data on these treatments.
- Do not apply any treatment to the screw terminal area on the back side of the instrument.

Accessories

The product is provided with the following accessories according to the model and suffix codes. Check that none of them are missing or damaged.



No.	Product Name	Quantity	Remark
1	Brackets	2	Part number: L4502TP (For fixing the upper and lower parts) This does not apply to models with the /MDL option.
2	Terminal cover	1	For UT55A: L4502XP For UT52A: L4502XQ
3	Unit label	1	Part number: L4502VZ
4	Tag label	1	Part number: L4502VE (Only when ordered.)
5	Operation Guide	1	Single-loop control (A3 size, x6) (Standard model only)

How to use the unit label

- Affixing the unit label
Affix the unit label to the front panel. If necessary, combine with unit prefixes. Affix it so that the LCD area is not blocked.
- Maintenance port seals
Maintenance port seals (two spares) are available. Use them if the seal affixed to the UTAdvanced controller loses its adhesiveness.
- TAG No. labels
TAG No. labels (two pieces) are available. Use them if necessary.

Accessory (sold separately)

The following lists an accessory sold separately.

- LL50A Parameter Setting Software

Model	Suffix code	Description
LL50A	-00	Parameter Setting Software

- External Precision Resistor

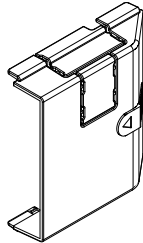
Model	Suffix code	Description
X010	See the General Specifications (*)	Resistance Module

*: Necessary to input the current signal to the voltage input terminal.

- Terminal cover

For UT55A, Model: UTAP001

For UT52A, Model: UTAP002



For UT55A



For UT52A

- Brackets (except for the controller with optional suffix code /MDL)
Part number L4502TP (2 pieces for fixing the upper and lower parts)

- User's Manual (A4 size)

* User's Manual can be downloaded from a website.

Symbols Used in This Manual



This symbol is used on the instrument. It indicates the possibility of injury to the user or damage to the instrument, and signifies that the user must refer to the user's manual for special instructions. The same symbol is used in the user's manual on pages that the user needs to refer to, together with the term "WARNING" or "CAUTION."

WARNING

Calls attention to actions or conditions that could cause serious or fatal injury to the user, and indicates precautions that should be taken to prevent such occurrences.

CAUTION

Calls attention to actions or conditions that could cause injury to the user or damage to the instrument or property and indicates precautions that should be taken to prevent such occurrences.

Note

Identifies important information required to operate the instrument.



Indicates related operations or explanations for the user's reference.



Indicates a character string displayed on the display.

Setting Display

Indicates a setting display and describes the keystrokes required to display the relevant setting display.

Setting Details

Provides the descriptions of settings.

Description

Describes restrictions etc. regarding a relevant operation.

How to Use This Manual

For the ladder sequence and communication functions, see the respective manuals. This user's manual is organized into Chapters 1 to 18 as shown below. This manual mainly uses the illustrations of the UT55A for describing the operations and functions. The basic operations are the same for the UT52A, so please read them in the same way. On models with the /MDL option, there are no display areas or key operation areas.

Chapter	Title and Description
1	Introduction to Functions Describes the main functions of the UT55A/UT52A.
2	UT55A/UT52A Operating Procedures Describes the flow from unpacking to regular operations.
3	Part Names Describes part names and functions on the front panel.
4	Basic Operation Describes basic operation of the UT55A/UT52A.
5	Quick Setting Function Describes the minimum necessary settings for operation.
6	Monitoring and Control of Regular Operations Describes monitoring displays of regular operations and operation.
7	Input (PV, Remote, and Auxiliary Analog) Functions Describes PV input, remote input, and advanced secondary control input.
8	Control Functions Describes basic control and advanced control.
9	Auxiliary Control Functions Describes auxiliary control functions
10	Output (Control and Retransmission) Functions Describes output functions.
11	Alarm Functions Describes alarm output and status output.
12	Contact Input/Output Functions Describes contact input/output functions.
13	Display, Key, and Security Functions Describes display, user function key and security functions.
14	Parameter Initialization Describes the initialization to factory default values and to user default values.
15	Power Failure Recovery Processing/Power Frequency Setting/Other Settings Describes operations performed after momentary power interruption and power failures.
16	Troubleshooting, Maintenance, and Inspections Describes troubleshooting, maintenance, periodic inspections, and disposal.
17	Installation and Wiring Describes installation and wiring.
18	Parameters Provides parameter maps.
GS	Specifications Provides the UT55A/UT52A specifications.

Contents

Introduction.....	i
Target Readers.....	ii
Notice	ii
Trademarks	ii
Safety Precautions	ii
Handling Precautions for the Main Unit.....	iv
Checking the Contents of the Package.....	v
Model and Suffix Codes of UT55A (for Standard Code Model).....	vi
Model and Suffix Codes of UT52A (for Standard Code Model).....	vii
Model and Suffix Codes of UT55A/MDL (for Standard Code Model).....	viii
Model and Suffix Codes of UT52A/MDL (for Standard Code Model).....	ix
Model and Suffix Codes of UT55A (for Detailed Code Model).....	x
Model and Suffix Codes of UT52A (for Detailed Code Model).....	xi
Symbols Used in This Manual.....	xiv
How to Use This Manual	xv
Chapter 1 Introduction to Functions	
1.1 Quick Setting Function	1-1
1.2 Input/Output Function.....	1-2
1.3 Control Functions	1-4
1.4 Display and Key Functions.....	1-8
1.5 Ladder Sequence Function	1-9
1.6 Communication Functions.....	1-10
1.7 Definition of Main Symbols and Terms	1-15
Chapter 2 UT55A/UT52A Operating Procedures	
2.1 UT55A/UT52A Operating Procedures.....	2-1
Chapter 3 Part Names	
3.1 Names and Functions of Display Parts	3-1
3.2 Names and Functions of Keys	3-5
3.3 List of Display Symbols	3-8
3.4 Brief Description of Setting Details (Parameters)	3-10
Chapter 4 Basic Operation	
4.1 Overview of Display Switch and Operation Keys	4-1
4.2 How to Set Parameters	4-4
Chapter 5 Quick Setting Function	
5.1 Setting Using Quick Setting Function.....	5-1
5.2 Restarting Quick Setting Function.....	5-6
Chapter 6 Monitoring and Control of Regular Operations	
6.1 Monitoring and Control of Operation Displays.....	6-1
6.1.1 Operation Display Transitions in Single-loop Control, Cascade Primary-loop Control, Cascade Secondary-loop Control, Loop Control for Backup, and Loop Control with PV-hold Function.	6-1
Standard Type	6-1
Position Proportional Type.....	6-2
Heating/cooling Type	6-3
Single-loop Two-position two-level control.....	6-4

6.1.2	Operation Display Transitions in Loop Control with PV Switching and Loop Control with PV Auto-selector	6-5
	Standard Type	6-5
	Position Proportional Type	6-6
	Heating/cooling Type	6-7
6.1.3	Operation Display Transitions in Cascade Control	6-8
	Standard Type	6-8
	Position Proportional Type	6-10
	Heating/cooling Type	6-12
6.2	Setting Target Setpoint	6-20
	Operation in the Operation Display	6-20
	Operation in Parameter Setting Display	6-21
6.3	Performing and Canceling Auto-tuning	6-22
6.4	Adjusting PID Manually	6-25
6.5	Setting Alarm Setpoint	6-31
6.6	Selecting Target Setpoint Number (SPNO)	6-32
6.7	Switching Operation Modes	6-33
	6.7.1 Switching between AUTO and MAN	6-33
	6.7.2 Switching between CAS (Cascade), AUTO, and MAN	6-35
	6.7.3 Switching between STOP and RUN	6-37
	6.7.4 Switching between REM (Remote) and LCL (Local)	6-39
6.8	Manipulating Control Output during Manual Operation	6-41
6.9	Releasing On-State (Latch) of Alarm Output	6-43

Chapter 7 Input (PV, Remote, and Auxiliary Analog) Functions

7.1	Setting Functions of PV Input, Remote Input, and Auxiliary Analog Input	7-1
	7.1.1 Setting Input Type, Unit, Range, Scale, and Decimal Point Position	7-1
	7.1.2 Setting Burnout Detection for Input	7-5
	7.1.3 Setting Reference Junction Compensation (RJC) or External Reference Junction Compensation (ERJC)	7-6
	7.1.4 Correcting Input Value	7-7
	(1) Setting Bias and Filter	7-7
	(2) Setting Square Root Extraction and Low Signal Cutoff Point	7-9
	(3) Setting 10-segment Linearizer	7-10
	7.1.5 Setting Ratio bias/filter	7-12
7.2	Setting Input Sampling Period (Control Period)	7-13
7.3	Using 4-wire RTD as PV Input	7-14
7.4	Using Larger, Smaller, Average, or Difference of Two to Four Inputs as PV	7-15
7.5	Setting Remote Input Method	7-16
7.6	Adjusting PV Range for Loop Control with PV Switching or Loop Control with PV Auto-selector ..	7-17
7.7	Setting PV Switching Methods of Loop Control with PV Switching	7-18

Chapter 8 Control Functions

8.1	Setting Control Mode (CTLM)	8-1
	8.1.1 Single-loop Control, Single-loop Heating/cooling Control, Single-loop Position Proportional Control, and Single-loop Two-position Two-level Control	8-1
	■ Single-loop Control Function Block Diagram	8-2
	■ Single-loop Heating/cooling Control Function Block Diagram	8-4
	■ Single-loop Position Proportional Control Function Block Diagram	8-6
	■ Single-loop Two-position Two-level Control Function Block Diagram	8-8
	8.1.2 Cascade Primary-loop Control	8-11
	■ Cascade Primary-loop Control Function Block Diagram	8-12

8.1.3	Cascade Secondary-loop Control, Cascade Secondary-loop Heating/cooling Control, and Cascade Secondary-loop Position Proportional Control	8-15
	■ Cascade Secondary-loop Control Function Block Diagram	8-17
	■ Cascade Secondary-loop Heating/cooling Control Function Block Diagram	8-18
	■ Cascade Secondary-loop Position Proportional Control Function Block Diagram	8-21
8.1.4	Cascade Control, Cascade Heating/cooling Control, and Cascade Position Proportional Control	8-23
	■ Cascade Control Function Block Diagram	8-24
	■ Cascade Heating/cooling Control Function Block Diagram	8-27
	■ Cascade Position Proportional Control Function Block Diagram	8-29
8.1.5	Loop Control for Backup, Heating/cooling Loop Control for Backup, and Position Proportional Loop Control for Backup	8-31
	■ Loop Control for Backup Function Block Diagram	8-33
	■ Heating/cooling Loop Control for Backup Function Block Diagram	8-35
	■ Position Proportional Loop Control for Backup Function Block Diagram	8-37
8.1.6	Loop Control with PV Switching, Heating/cooling Loop Control with PV Switching, and Position Proportional Loop Control with PV Switching	8-39
	■ Loop Control with PV Switching Function Block Diagram	8-40
	■ Heating/cooling Loop Control with PV Switching Function Block Diagram	8-43
	■ Position Proportional Loop Control with PV Switching Function Block Diagram	8-45
8.1.7	Loop Control with PV Auto-selector, Heating/cooling Loop Control with PV Auto-selector, and Position Proportional Loop Control with PV Auto-selector ..	8-47
	■ Loop Control with PV Auto-selector (2 inputs) Function Block Diagram	8-49
	■ Heating/cooling Loop Control with PV Auto-selector (2 inputs) Function Block Diagram ..	8-51
	■ Position Proportional Loop Control with PV Auto-selector (2 inputs) Function Block Diagram ..	8-52
	■ Loop Control with PV Auto-selector (4 inputs) Function Block Diagram (only for UT55A) ..	8-55
	■ Heating/cooling Loop Control with PV Auto-selector (4 inputs) Function Block Diagram (only for UT55A)	8-57
	■ Position Proportional Loop Control with PV Auto-selector (4 inputs) Function Block Diagram (only for UT55A)	8-59
8.1.8	Loop Control with PV-hold Function, Heating/cooling Loop Control with PV-hold Function, and Position Proportional Loop Control with PV-hold Function	8-61
	■ Loop Control with PV-hold Function Function Block Diagram	8-63
	■ Heating/cooling Loop Control with PV-hold Function Function Block Diagram	8-64
	■ Position Proportional Loop Control with PV-hold Function Function Block Diagram	8-66
8.2	Setting Control Type (CNT)	8-68
8.2.1	PID Control	8-69
8.2.2	ON/OFF Control (1 point of hysteresis / 2 points of hysteresis)	8-70
8.2.3	Heating/cooling Control	8-72
8.2.4	Two-position Two-level Control	8-78
8.2.5	PD Control (Stable Control in Which a Setpoint is not Exceeded)	8-80
8.2.6	Sample PI Control (Controlling a Process with Long Dead Time)	8-81
8.2.7	Batch PID Control (Performing Control with Rapidly Settling Setpoints)	8-83
8.2.8	Feedforward Control	8-85
8.3	Setting PID Control Mode (ALG)	8-87
8.4	Switching PID	8-89
8.4.1	Switching PID According to Target Setpoint Number (SPNO)	8-89
8.4.2	Switching PID According to PV	8-90
8.4.3	Switching PID According to SP	8-92
8.4.4	Switching PID According to Target SP	8-94
8.4.5	Switching PID According to Deviation (Reference Deviation)	8-96
8.4.6	Setting Hysteresis at Time of PID Switch	8-97
8.4.7	Switching PID by Contact Input	8-97
8.5	Suppressing Overshoot (Super Function)	8-98

8.6	Suppressing Hunting (Super2 Function)	8-100
8.7	Suppressing Integral Action (Anti-reset Wind-up)	8-102
8.8	Performing Non-linear PID Control.....	8-103
8.9	Adjusting Auto-tuning Operation	8-104

Chapter 9 Auxiliary Control Functions

9.1	Setting SP Limiter.....	9-1
9.2	Changing SP at a Fixed Rate (SP Ramp-Rate Setting Function)	9-2
9.3	Forcing SP to Track PV (PV Tracking)	9-4
9.4	Forcing SP to Track Remote Input (SP Tracking).....	9-5
9.5	Setting Controller Action at Power ON (Restart Mode)	9-6
9.6	Setting Time between Powering on Controller and Starting Control (Restart Timer)	9-7

Chapter 10 Output (Control and Retransmission) Functions

10.1	Setting Control Output Type	10-1
10.2	Setting Control Output Cycle Time	10-5
10.3	Setting Limiter to Control Output	10-6
10.4	Disabling Output Limiter in MAN mode	10-7
10.5	Setting Velocity Limiter to Control Output.....	10-8
10.6	Reducing 4-20 mA Current Output to 0 mA (Tight Shut Function)	10-9
10.7	Setting ON/OFF Control Hysteresis	10-10
10.8	Canceling Offset of PV and SP (Manual Reset).....	10-12
10.9	Setting Hysteresis and Dead Band for Heating/cooling Control Output.....	10-13
10.10	Setting Hysteresis and Dead Band for Position Proportional Control Output.....	10-15
10.11	Setting Retransmission Output Terminal, Type, and Scales.....	10-16
10.12	Setting Preset Output Value	10-19
	10.12.1 Setting Output Value in STOP Mode (Preset Output).....	10-19
	10.12.2 Setting Output Value When Switched to MAN Mode (Manual Preset Output)	10-21
	10.12.3 Setting Output Value When Error Occurs (Input Error Preset Output).....	10-23
10.13	Setting 10-segment Linearizer for Output	10-24
10.14	Changing Current Output Range.....	10-26
10.15	Setting Split Computation Output Function	10-27
10.16	Adjusting Motor-operated Valve Position (Position Proportional Output)	10-29
	10.16.1 Setting Valve Operation Mode	10-30
	10.16.2 Adjusting Valve Position Automatically	10-30
	10.16.3 Adjusting Valve Position Manually	10-31
	10.16.4 Setting Valve Traveling Time (Estimating Type).....	10-32
	10.16.5 Selecting Feedback Input (Resistor/Current).....	10-32
10.17	Using 15 V DC Loop Power Supply	10-33

Chapter 11 Alarm Functions

11.1	Setting Alarm Type	11-1
11.2	Setting Number of Alarm Groups to Use	11-17
11.3	Setting Hysteresis to Alarm Operation	11-18
11.4	Delaying Alarm Output (Alarm Delay Timer)	11-19
11.5	Setting Alarm Output to Control Relay Terminal.....	11-20
11.6	Setting Alarm Action According to Operation Mode.....	11-21
11.7	Setting Heater Break Alarm.....	11-22

Chapter 12 Contact Input/Output Functions

12.1	Setting Contact Input Function	12-1
	12.1.1 Setting Contact Input Function	12-1
	12.1.2 Changing Contact Type of Contact Input.....	12-10

12.2	Setting Contact Output Function	12-11
12.2.1	Setting Function of Contact Output.....	12-11
12.2.2	Changing Contact Type of Contact Output	12-17

Chapter 13 Display, Key, and Security Functions

13.1	Setting Display Functions	13-1
13.1.1	Setting Active Color PV Display Function	13-1
13.1.2	Masking Arbitrary Display Value in Operation Display	13-4
13.1.3	Registering SELECT Display (Up to 5 Displays)	13-5
13.1.4	Changing Event Display	13-6
13.1.5	Registering SELECT Parameter Display (Up to 10 Displays).....	13-8
13.1.6	Setting Bar-graph Display Function	13-10
13.1.7	Masking Least Significant Digit of PV Display	13-12
13.1.8	Changing Deviation Display Lamp Action.....	13-13
13.1.9	Setting Economy Mode.....	13-14
13.1.10	Selecting the Initial Operation Display that Appears at Power ON	13-15
13.1.11	Setting Message Function	13-16
13.1.12	Switching Guide Display Language	13-16
13.1.13	Changing Guide Scroll Speed	13-17
13.1.14	Turning Guide Display ON/OFF	13-17
13.1.15	Setting Automatic Return to Operation Display	13-17
13.1.16	Setting Brightness and Contrast Adjustment of LCD and Display Update Cycle..	13-18
13.2	Assigning Function to User Function Key and A/M Key	13-19
13.3	Setting Security Functions.....	13-22
13.3.1	Setting or Clearing the Password	13-22
13.3.2	Setting Parameter Display Level	13-22
13.3.3	Locking (Hiding) Parameter Menu Display	13-23
13.3.4	Key Lock.....	13-25
13.3.5	Setting Display/Non-display of Operation Display	13-25
13.3.6	Prohibiting Writing via Communication	13-26
13.4	Confirmation of Key and I/O Condition and Version.....	13-27
13.4.1	Confirmation of Key and I/O Condition	13-27
13.4.2	Confirmation of Version	13-32

Chapter 14 Parameter Initialization

14.1	Initializing Parameter Settings to Factory Default Values.....	14-1
14.2	Registering and Initializing User Default Values.....	14-2
14.2.1	Registering as User Setting (Default) Values.....	14-2
14.2.2	Initializing to User Setting (Default) Values.....	14-2

Chapter 15 Power Failure Recovery Processing / Power Frequency Setting / Other Settings

15.1	Remedies if Power Failure Occurs during Operations	15-1
15.2	Power Frequency Setting	15-2

Chapter 16 Troubleshooting, Maintenance, and Inspections

16.1	Troubleshooting.....	16-1
16.1.1	Troubleshooting Flowchart.....	16-1
16.1.2	Errors at Power On	16-4
16.1.3	Errors during Operation	16-6
16.2	Maintenance.....	16-17
16.2.1	Cleaning.....	16-17
16.2.2	Packaging when Shipping the Product for Repair	16-17



Contents

16.2.3	Replacing Parts	16-17
16.3	Periodic Maintenance	16-18
16.4	Disposal.....	16-19

Chapter 17 Installation and Wiring

17.1	Installation Location.....	17-1
17.2	Mounting Method.....	17-3
17.3	External Dimensions and Panel Cutout Dimensions	17-5
17.4	Wiring	17-7
17.4.1	Important Information on Wiring	17-7
17.4.2	PV Input Wiring.....	17-9
17.4.3	Remote (Auxiliary Analog) Input Wiring	17-10
17.4.4	Control Output (Relay, Triac, Current, and Voltage Pulse) Wiring	17-12
17.4.5	Valve Position Output and Feedback Input Wiring	17-15
17.4.6	Contact Input Wiring	17-16
17.4.7	Contact Output Wiring	17-22
17.4.8	Retransmission Output Wiring	17-25
17.4.9	15 V DC Loop Power Supply Wiring.....	17-26
17.4.10	24 V DC Loop Power Supply Wiring.....	17-26
17.4.11	Heater Break Alarm Wiring	17-27
17.4.12	RS-485 Communication Interface Wiring	17-28
17.4.13	Coordinated Operation Wiring	17-30
17.4.14	Peer-to peer Communication Wiring.....	17-32
17.4.15	Ethernet Communication Interface Wiring	17-34
17.4.16	PROFIBUS-DP Communication Interface Wiring	17-36
17.4.17	DeviceNet Communication Interface Wiring	17-38
17.4.18	CC-Link Communication Interface Wiring.....	17-40
17.4.19	Power Supply Wiring	17-43
17.5	Attaching and Detaching Terminal Cover	17-44

Chapter 18 Parameters

18.1	Parameter Map.....	18-1
18.2	List of Parameters	18-12
18.2.1	Operation Parameters	18-12
18.2.2	Setup Parameters.....	18-21

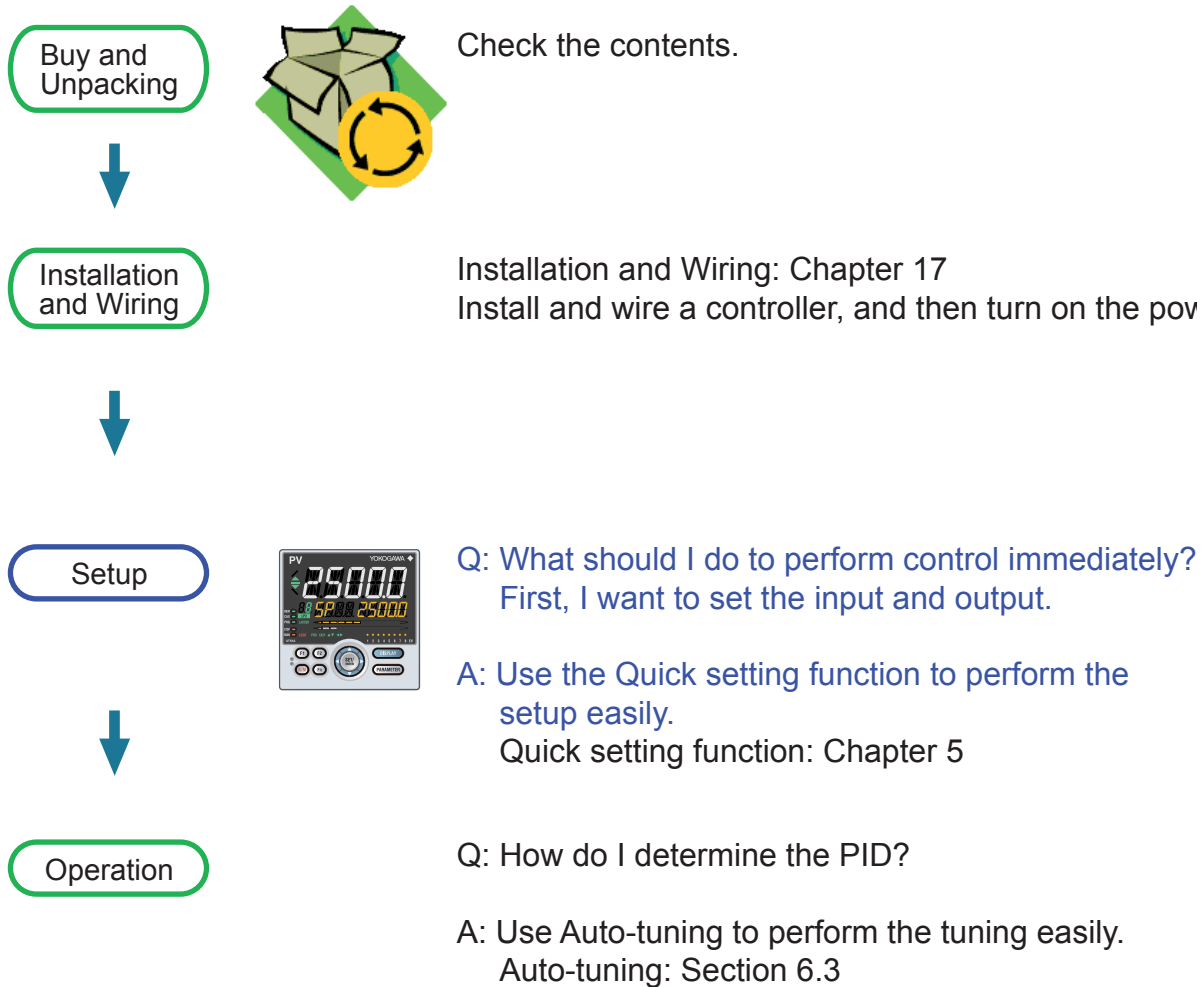
Appendix Input and Output Table

Appendix 1	Input and Output Table (for Standard model).....	App-1
Appendix 2	Input and Output Table (for Detailed model)	App-6

Revision Information

1.1 Quick Setting Function

The Quick setting function is a function to easily set the basic function of the controller. This section does not apply to models with the /MDL option.

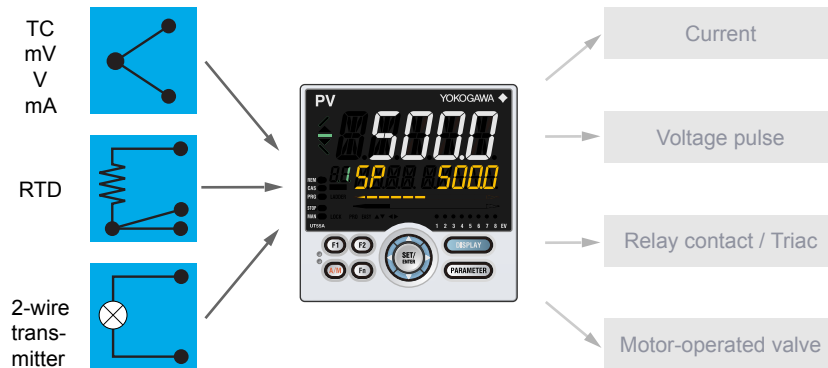


1.2 Input/Output Function

PV Input (equipped as standard)

PV input is a universal input to arbitrarily set the type and range for the thermocouple (TC), resistance-temperature detector (RTD), and DC voltage/current.

► [Chapter 7 Input \(PV, Remote, and Auxiliary Analog\) Functions](#)



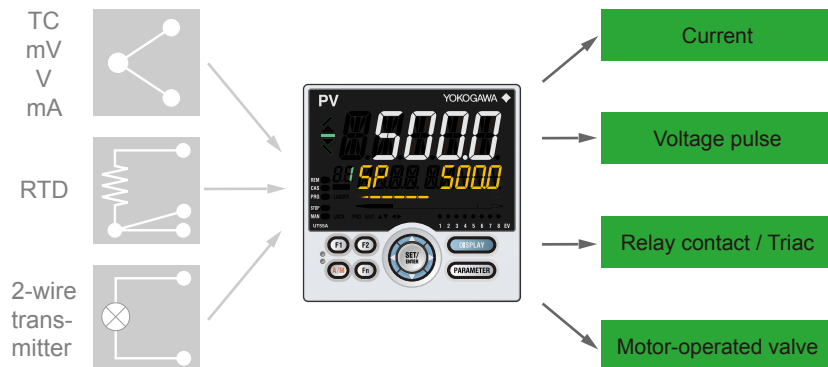
Control Output (equipped as standard)

Control output (OUT) is a universal output to arbitrarily set the type for the current, voltage pulse, and relay/triac. Heating/cooling control and Position proportional control are possible by specifying the suffix code for the control.

Position proportional control is used exclusively for the motor-operated valve.

Heating/cooling control is for two output type of heat and cool.

► [Chapter 10 Output \(Control and Retransmission\) Functions](#)

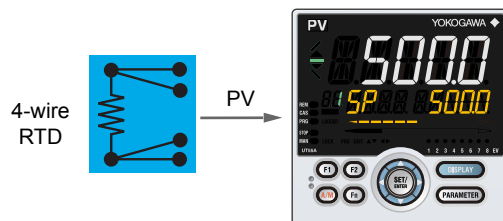


Remote Input

Remote input (RSP) is external analog signal used for remote setpoint.

► [Chapter 7 Input \(PV, Remote, and Auxiliary Analog\) Functions](#)

Add direct input (optional suffix code /DR or /U1) to the remote input to use the 4-wire RTD as PV input. The LL50A Parameter Setting Software is required.



Auxiliary Analog Input

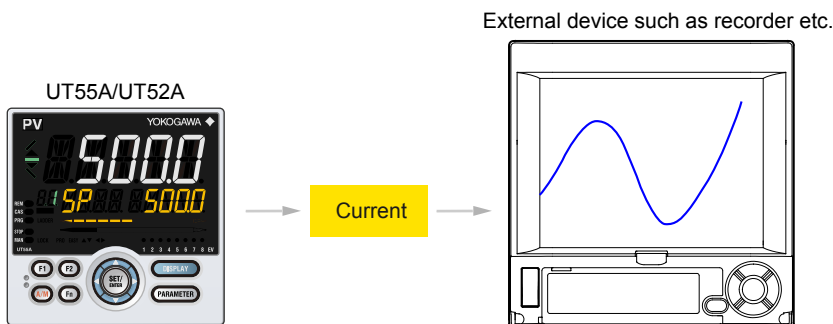
Two auxiliary analog inputs can be used separately from PV input (PV) and remote input (RSP).

▶ Chapter 7 Input (PV, Remote, and Auxiliary Analog) Functions

Retransmission Output

Retransmission output outputs a PV input value (PV), target setpoint (SP), control output value (OUT) and the like as an analog signal to, for example, the recorder.

▶ Chapter 10 Output (Control and Retransmission) Functions



Contact Input

Up to 23 contact inputs can be incorporated. The operation modes can be switched. PID control and sequence control can be performed simultaneously using the ladder sequence function.

The contact input can be specified with other suffix codes. For details, see the table of Model and Suffix Codes.

▶ Chapter 12 Contact Input/Output Functions

Contact Output

Up to 23 contact outputs can be incorporated. Contact output can output events such as alarms.

PID control and sequence control can be performed simultaneously using the ladder sequence function.

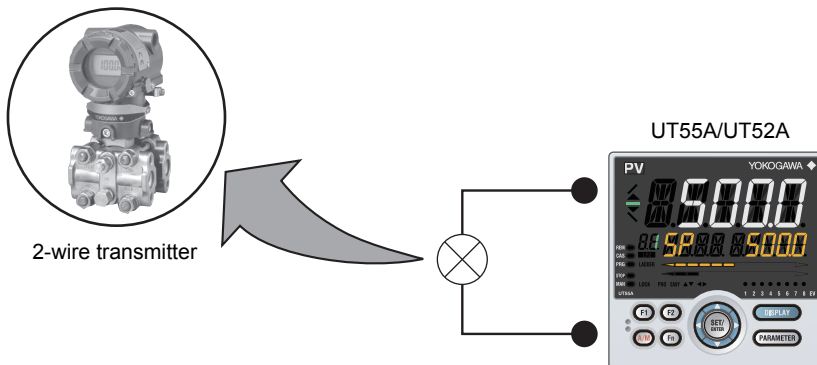
The contact output can be specified with other suffix codes. For details, see the table of Model and Suffix Codes.

▶ Chapter 11 Alarm Functions

24 V DC Loop Power Supply

24 V DC loop power supply can be supplied to 2-wire transmitter.

▶ 17.4.10 24 V DC Loop Power Supply Wiring

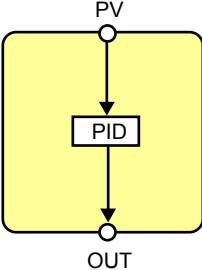
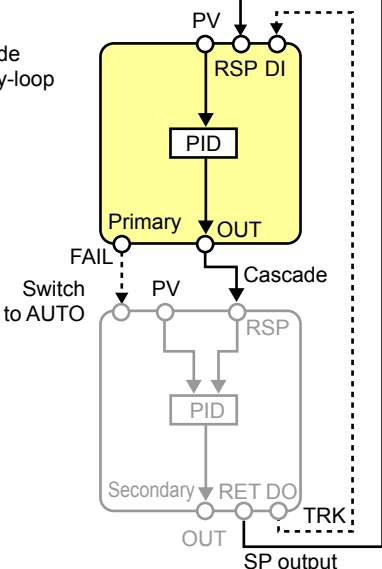
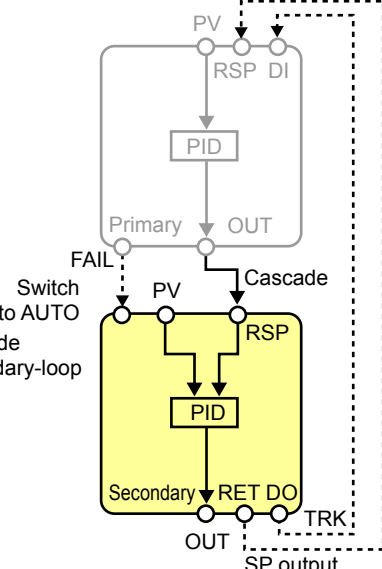


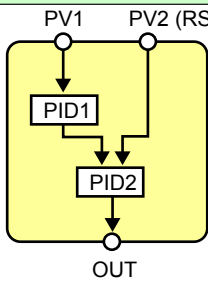
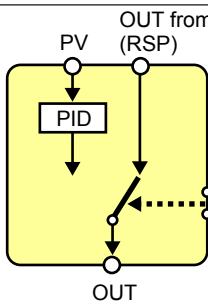
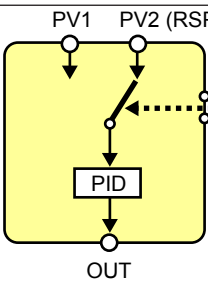
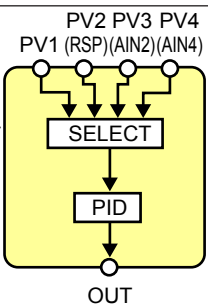
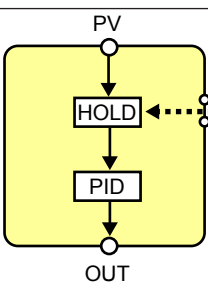
1.3 Control Functions

Control Mode

The UT55A/UT52A are controllers equipped with 8 control modes. Some control modes require a remote input (RSP) terminal.

For the auxiliary functions of control modes, see the respective sections.

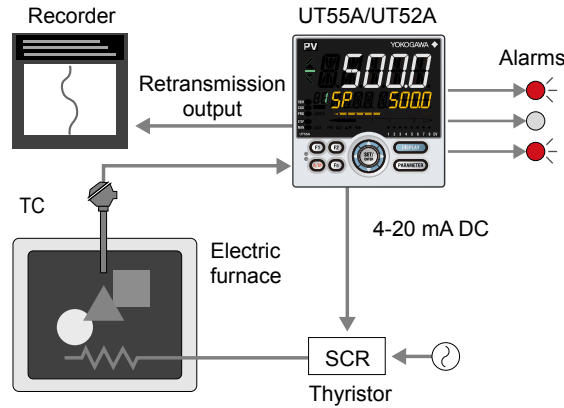
Control mode schematic diagram	Description
<p>Single-loop control</p> 	<p>“Single-loop control” provides the basic control function having one control computation unit.</p> <ul style="list-style-type: none"> ▶ 8.1.1 Single-loop Control, Single-loop Heating/cooling Control, Single-loop Position Proportional Control, and Single-loop Two-position Two-level Control
<p>Cascade primary-loop control</p> 	<p>“Cascade primary-loop control” sets up a controller as the primary-loop controller when two controllers are used for Cascade control. It is used in connection with “Cascade secondary-loop control.” It provides the output tracking function and FAIL output to the secondary-loop controller.</p> <p>Remote input (RSP) terminal is required for output tracking input</p> <ul style="list-style-type: none"> ▶ 8.1.2 Cascade Primary-loop Control
<p>Cascade secondary-loop control</p> 	<p>“Cascade secondary-loop control” sets up a controller as the secondary-loop controller when two controllers are used for Cascade control. It is used in connection with “Cascade primary-loop control.” It provides the target setpoint output function and tracking signal output function to the primary-loop controller.</p> <p>Remote input (RSP) terminal is required for cascade input.</p> <ul style="list-style-type: none"> ▶ 8.1.3 Cascade Secondary-loop Control, Cascade Secondary-loop Heating/cooling Control, and Cascade Secondary-loop Position Proportional Control

Control mode schematic diagram	Description
<p>Cascade control</p> 	<p>“Cascade control” uses two control computation units and permits Cascade control using just a single controller. Remote input (RSP) terminal is required for Loop-2 PV input.</p> <p>► 8.1.4 Cascade Control, Cascade Heating/cooling Control, and Cascade Position Proportional Control</p>
<p>Loop control for backup</p> 	<p>“Loop control for backup” allows control in connection with host control equipment (such as another controller or programmable controller (PLC)). If the host control equipment breaks down and the controller receives the FIAL signal, the controller performs backup control operations. Remote input (RSP) terminal is required for output tracking input.</p> <p>► 8.1.5 Loop Control for Backup, Heating/cooling Loop Control for Backup, and Position Proportional Loop Control for Backup</p>
<p>Loop control with PV switching</p> 	<p>“Loop control with PV switching” uses two PV inputs, which are switched according to input contact signals or measurement ranges. Remote input (RSP) terminal is required for Loop-2 PV input.</p> <p>► 8.1.6 Loop Control with PV Switching, Heating/cooling Loop Control with PV Switching, and Position Proportional Loop Control with PV Switching</p>
<p>Loop control with PV auto-selector</p> 	<p>“Loop control with PV auto-selector” automatically selects or calculates the max. value, the min. value, the average, or difference (of PV1 and PV2) of two to four PV inputs. Remote input (RSP) terminal and auxiliary analog input terminal are required for the inputs 2, 3, and 4.</p> <p>► 8.1.7 Loop Control with PV Auto-selector, Heating/cooling Loop Control with PV Auto-selector, and Position Proportional Loop Control with PV Auto-selector</p>
<p>Loop control with PV-hold function</p> 	<p>“Loop control with PV-hold function” holds the PV input value and control output value according to the input contact signals.</p> <p>► 8.1.8 Loop Control with PV-hold Function, Heating/cooling Loop Control with PV-hold Function, and Position Proportional Loop Control with PV-hold Function</p>

PID Control

PID control is a general control using the PID control-related parameters.

▶ 8.2.1 PID Control

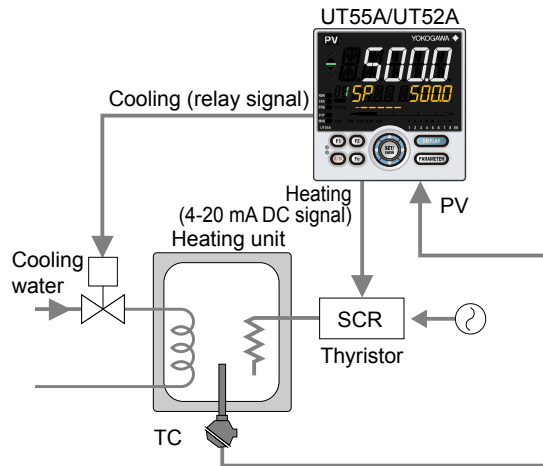


Heating/cooling Control

Heating/cooling control is available only for Heating/cooling type.

In Heating/cooling control, the controller outputs the result of control computation after splitting it into heating-purpose and cooling-purpose signals.

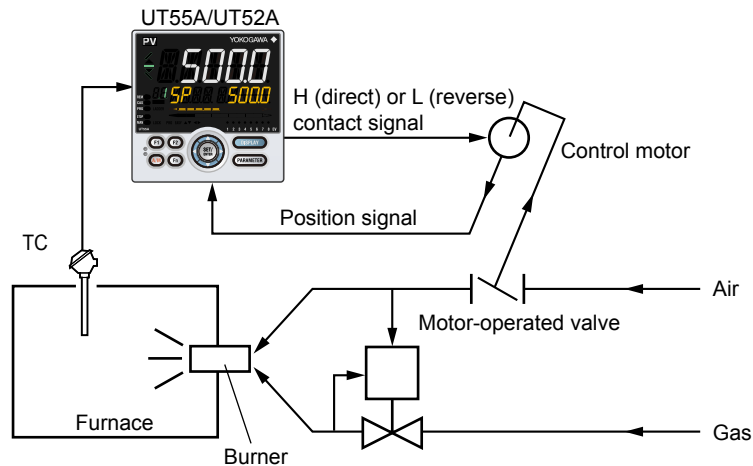
▶ 8.2.3 Heating/cooling Control



Position Proportional Control (excluding the /MDL option)

Position proportional control is available only for Position proportional type. It is used exclusively for the motor-operated valve.

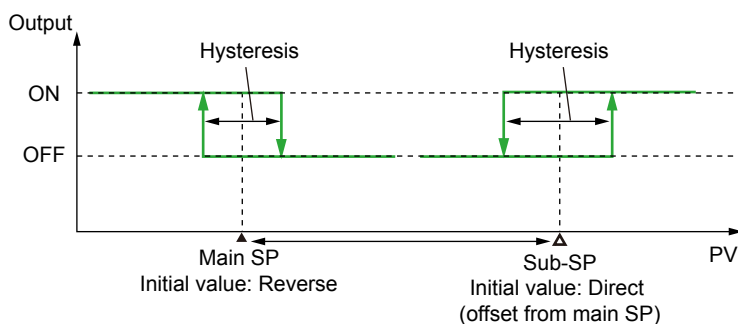
▶ 10.16 Adjusting Motor-operated Valve Position (Position Proportional Output)



Two-position Two-level Control

Two-position two-level control has two target setpoints to control ON and OFF respectively.

► [8.2.4 Two-position Two-level Control](#)



Sample PI Control

Sample PI control is useful for processes with long dead times where the results of the control output are not quickly reflected on the PV.

► [8.2.6 Sample PI Control](#)

Batch PID Control

Batch PID control is useful for cases where control is performed causing the PV to settle to a SP as quickly as possible without overshooting.

► [8.2.7 Batch PID Control](#)

Feedforward Control

Feedforward control cancels the disturbance before the effects of the disturbance appear in the controlled system by applying a signal – to correct for the disturbance – directly to the controller.

► [8.2.8 Feedforward Control](#)

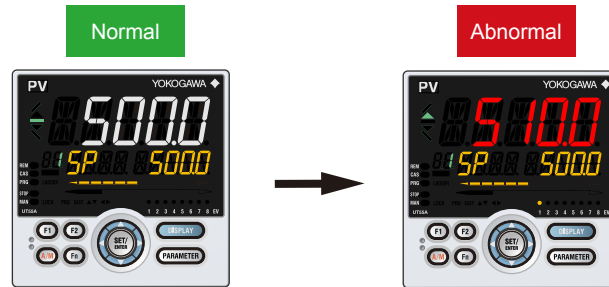
1.4 Display and Key Functions

Employing a 14-segment, active color LCD greatly increases the monitoring and operating capabilities.
This section does not apply to models with the /MDL option.

Active Color PV Display (display color change)

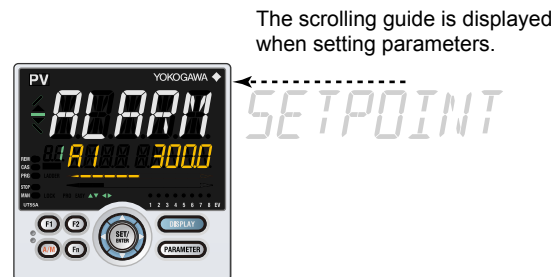
The active color PV display function changes the PV display color (red or white) when abnormality occurs in PV etc.

▶ [13.1.1 Setting Active Color PV Display Function](#)



Guide Display

The guide is displayed on PV display when setting parameters. This guide can be turned on/off with the Fn key.



Multilingual Guide Display

English, German, French, or Spanish can be displayed in Guide display.

▶ [13.1.12 Switching Guide Display Language](#)

Parameter Display Level

To intended use of the operator, the display level of the parameter can be set.

▶ [Chapter 18 Parameters](#)

User Function Keys

The UT55A has user function keys (F1, F2, and Fn).

The UT52A has a user function key (Fn).

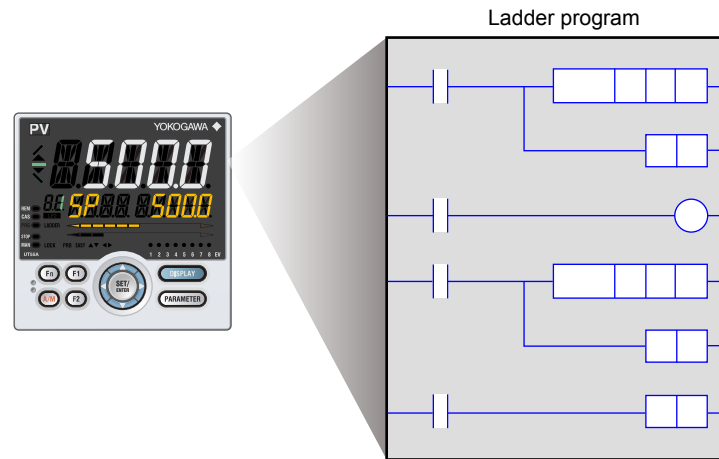
Assign a function to a user function key to use it as an exclusive key.

▶ [13.2 Assigning Function to User Function Key and A/M Key](#)

1.5 Ladder Sequence Function

To use the ladder sequence function, it is necessary to create a ladder program using LL50A Parameter Setting Software and download it to a controller.

- ▶ [Ladder sequence function: LL50A Parameter Setting Software User's Manual](#)



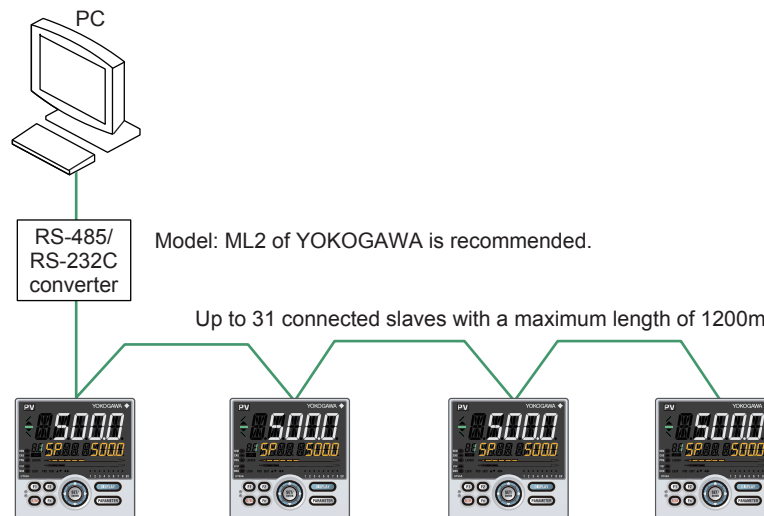
1.6 Communication Functions

The UT55A/UT52A can use RS-485 communication, Ethernet communication, PROFIBUS-DP communication, DeviceNet communication, and CC-Link communication by specifying the suffix code and optional suffix code for each communication.

- ▶ [UTAdvanced Series Communication Interface \(RS-485, Ethernet\) User's Manual](#)
- ▶ [UTAdvanced Series Communication Interface \(Open Network\) User's Manual](#)

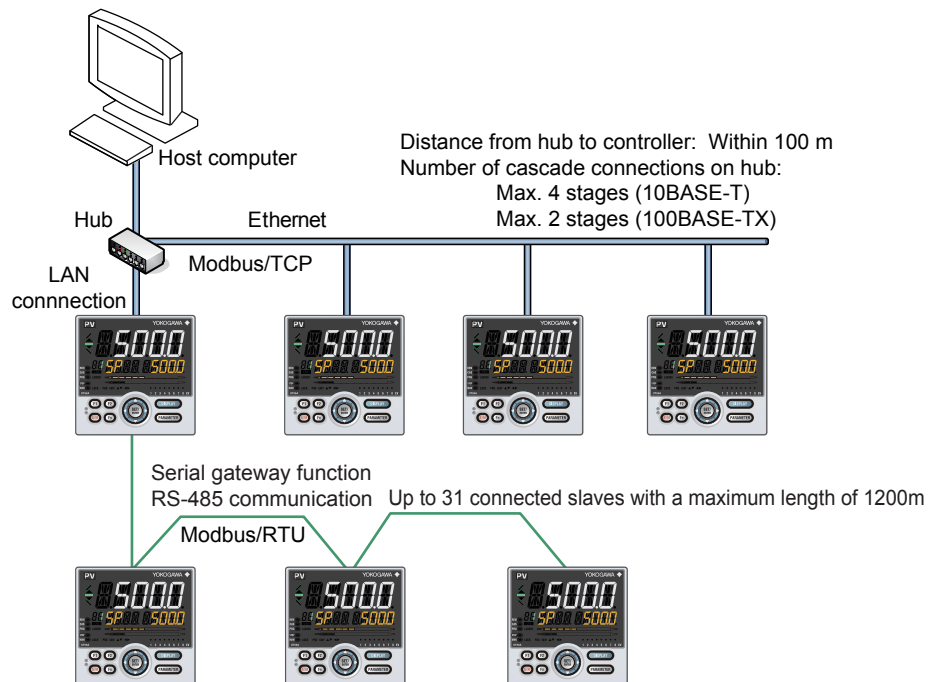
RS-485 Communication (Modbus communication, PC link communication, and Ladder communication)

The UT55A/UT52A can communicate with PCs, PLCs, touch panels, and other devices.



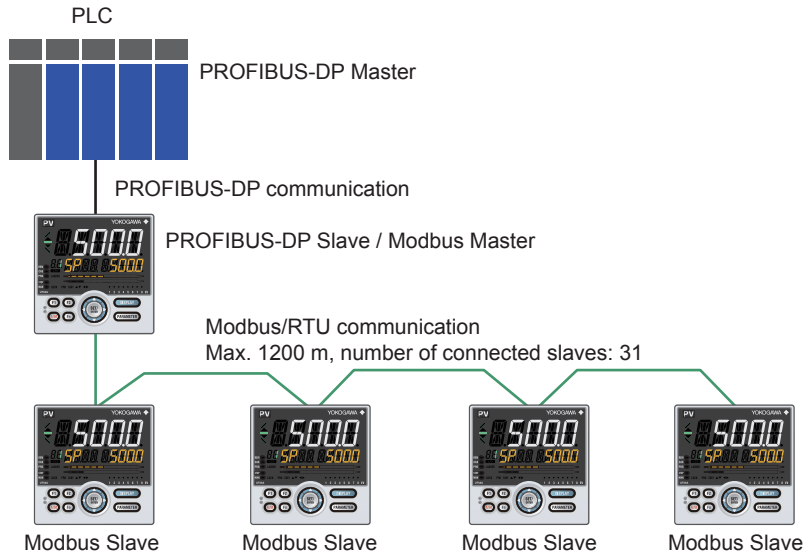
Ethernet Communication (Modbus/TCP)

The UT55A can be connected to IEEE802.3-compliant network (10BASE-T/100BASE-TX). A serial gateway function can increase the number of connected controllers.



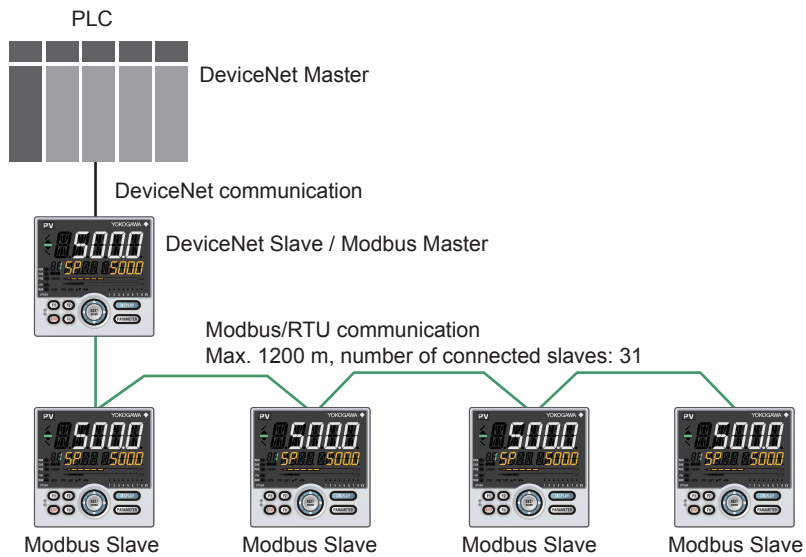
PROFIBUS-DP Communication

The UT55A can be used as the slave devices for PROFIBUS-DP communication. Read-out of PV, operation or alarm status, and SP setting can be done by accessing the remote I/O on the master unit of PROFIBUS-DP.



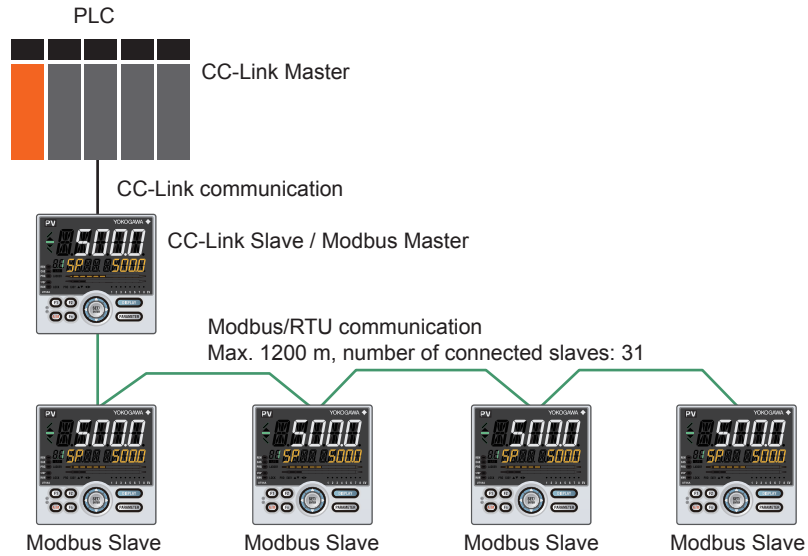
DeviceNet Communication

The UT55A can be used as the slave devices for DeviceNet communication. Read-out of PV, operation or alarm status, and SP setting can be done by accessing the remote I/O on the master unit of DeviceNet.



CC-Link Communication

The UT55A/UT52A can be used as the slave devices for CC-Link communication. Read-out of PV, operation or alarm status, and SP setting can be done by accessing the remote I/O on the master unit of CC-Link.

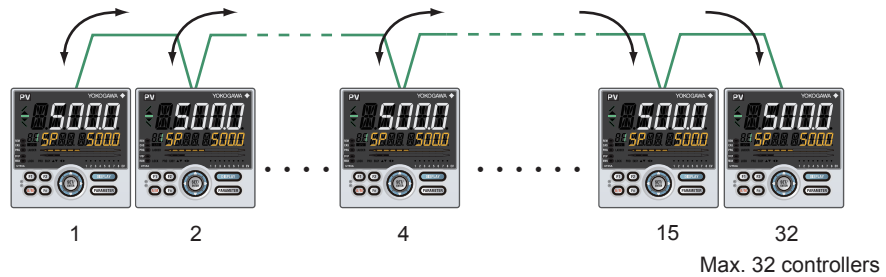


Peer-to-peer Communication

In Peer-to-peer communication, controllers send and receive process data each other and share data. However, ladder program creation using LL50A Parameter Setting Software is necessary.

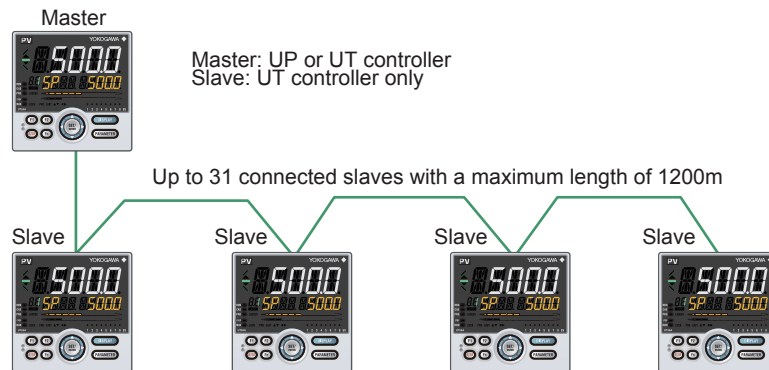
► [Ladder program: LL50A Parameter Setting Software User's Manual](#)

Controller No. 1 to 4 can transmit and receive data. Controller No. 5 to 32 can only receive data.



Coordinated Operation

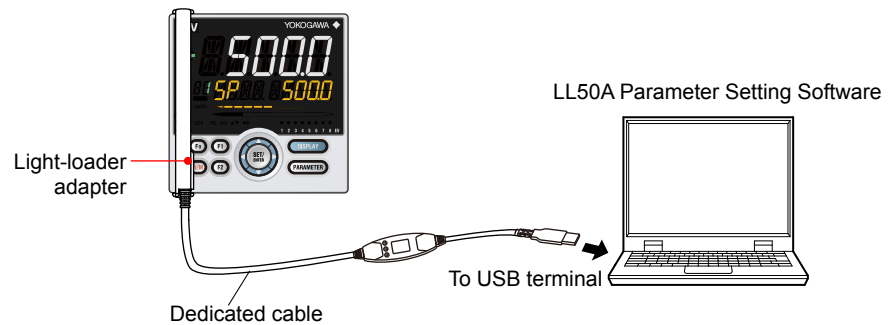
A system of coordinated operation is configured with a master controller and a number of slave controllers. The slave controllers are set to operate in the same way as the master controller. Therefore you do not have to create a communication program.



Light-loader Communication (excluding the /MDL option)

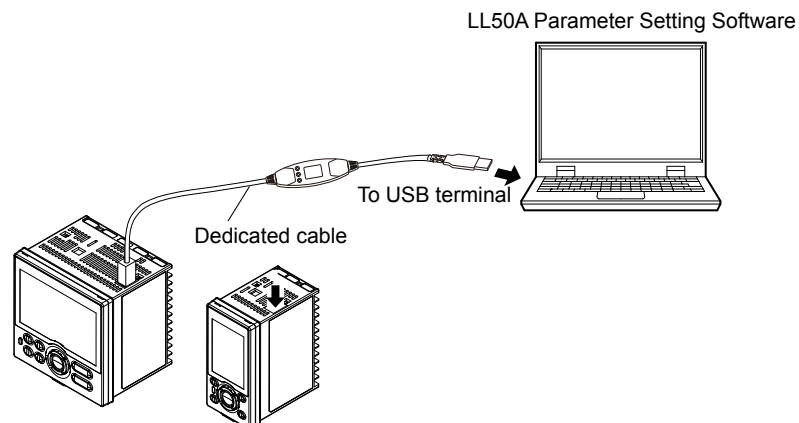
Use the LL50A to set parameters and create ladder programs. Attach the adapter to the front of the controller to communicate.

- ▶ [Light-loader function: LL50A Parameter Setting Software User's Manual](#)



Maintenance Port Communication (Power supply is not required for the UT55A/UT52A) (excluding the /MDL option)

Maintenance port is used to connect with the dedicated cable when using LL50A Parameter Setting Software (sold separately). The parameters can be set without supplying power to the UT55A/UT52A. Likewise, the ladder program can also be downloaded.



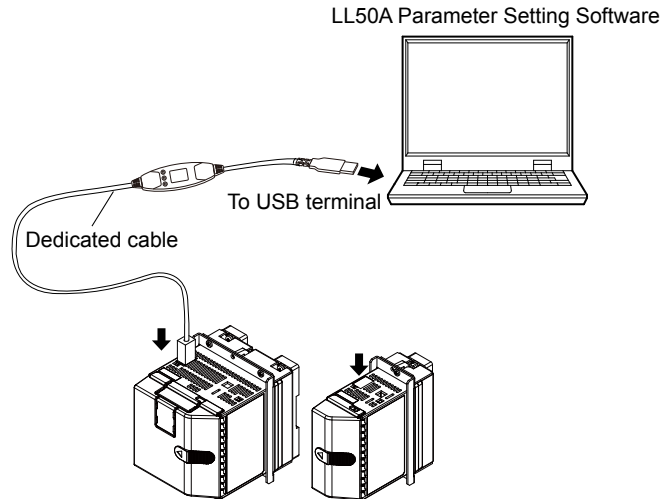
CAUTION

When using the maintenance port, do not supply power to the controller. Otherwise, the controller does not work normally.

If power is supplied to the controller while the cable is connected, or the cable is connected to the controller already turned on, unplug the cable and turn on the controller again. The controller returns to the normal condition.

Maintenance Port Communication (Power supply is required for the UT55A/UT52A) (The controller with optional suffix code /MDL)

The maintenance port is used to connect a dedicated cable when using the LL50A Parameter Setting Software (sold separately). Through this port, you can set controller parameters, download ladder programs, and so on.
Remove the connector from the dedicated cable, and connect it to the maintenance port. For details, see the LL50A User's Manual (IM 05P05A01-02EN).



CAUTION

Use LL50A with the controller turned on. (The dedicated cable must be connected. LL50A Light-loader adapter cannot be used.)
The maintenance port is not isolated from the PV input terminal. Use the port only for maintenance purposes, such as for setting the controller parameters.

1.7 Definition of Main Symbols and Terms

Main Symbol

PV: Measured input value
 SP: Target setpoint
 OUT: Control output value
 RSP: Remote setpoint

A/M: AUTO/MAN
 C/A/M: CAS/AUTO/MAN
 AUTO: Automatic
 MAN: Manual
 CASCADE, CAS: Cascade
 REMOTE, REM: Remote
 LOCAL, LCL: Local

E1, E2, E3, and E4: Terminal areas

▶ [17.4 Wiring](#)

Engineering Units

Input range (scale): the PV range low limit is set to 0%, and the high limit is set to 100% for conversion.

Input range (scale) span: the PV range span is set to 100% for conversion.

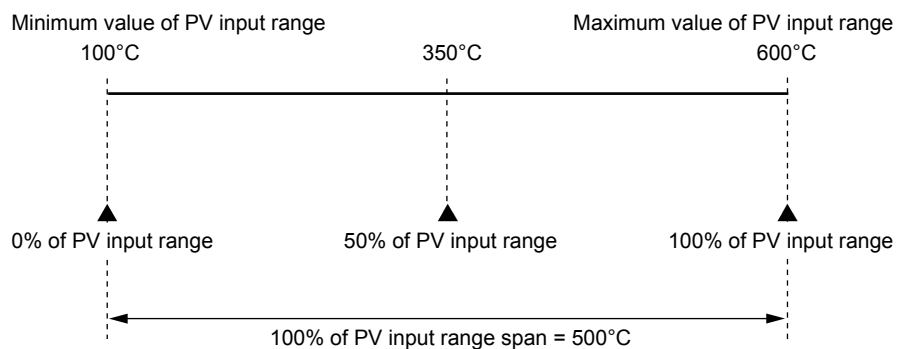
In this manual, the parameter setting range is described as the “input range” and “input range span.” This means that engineering units are required to be set. Set a temperature for temperature input.

The following describes a conversion example.

When the PV input range is 100 to 600°C, 0% of the PV range is equivalent to 100°C, 50% of the PV range is equivalent to 350°C, and 100% of the PV range is equivalent to 600°C.

100% of the PV range span is equivalent to 500°C.

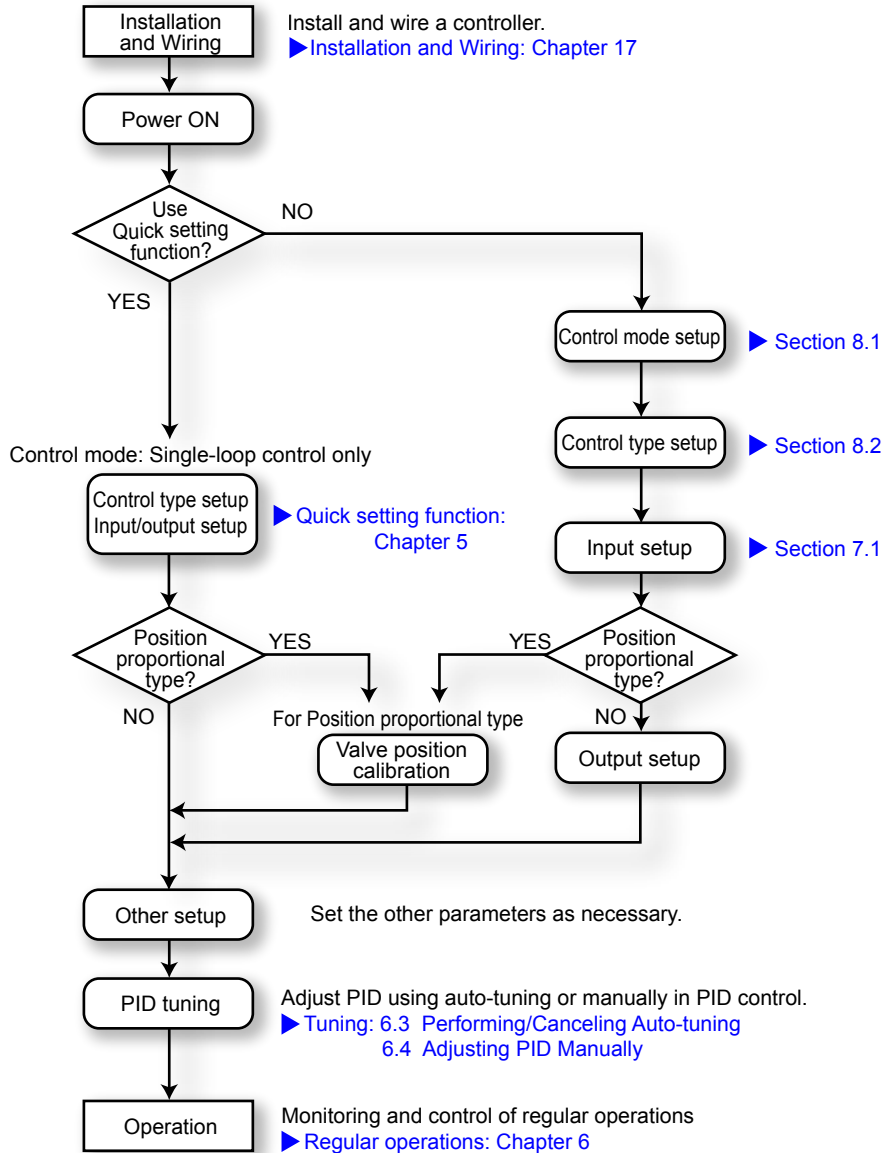
20% of the PV range span is equivalent to 100°C.



The above applies to the scale for voltage and current input.

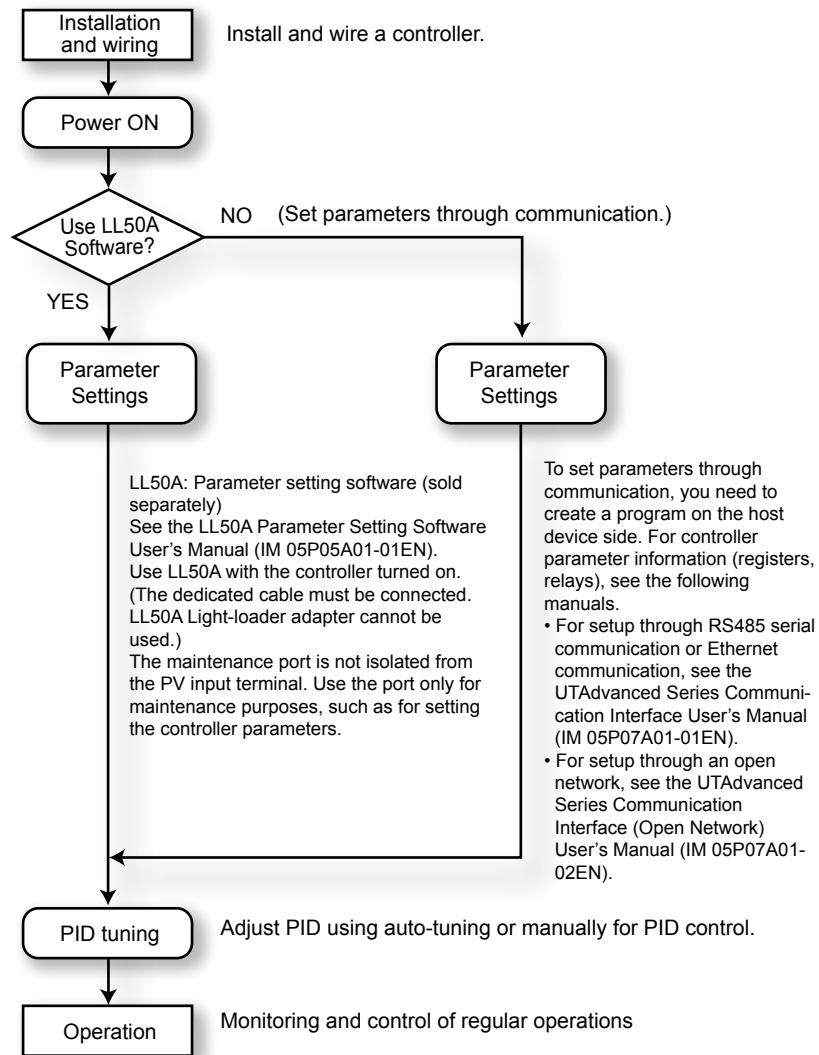
2.1 UT55A/UT52A Operating Procedures

Procedure for models except those with the /MDL option



2.1 UT55A/UT52A Operating Procedures

Procedure for models with the /MDL option



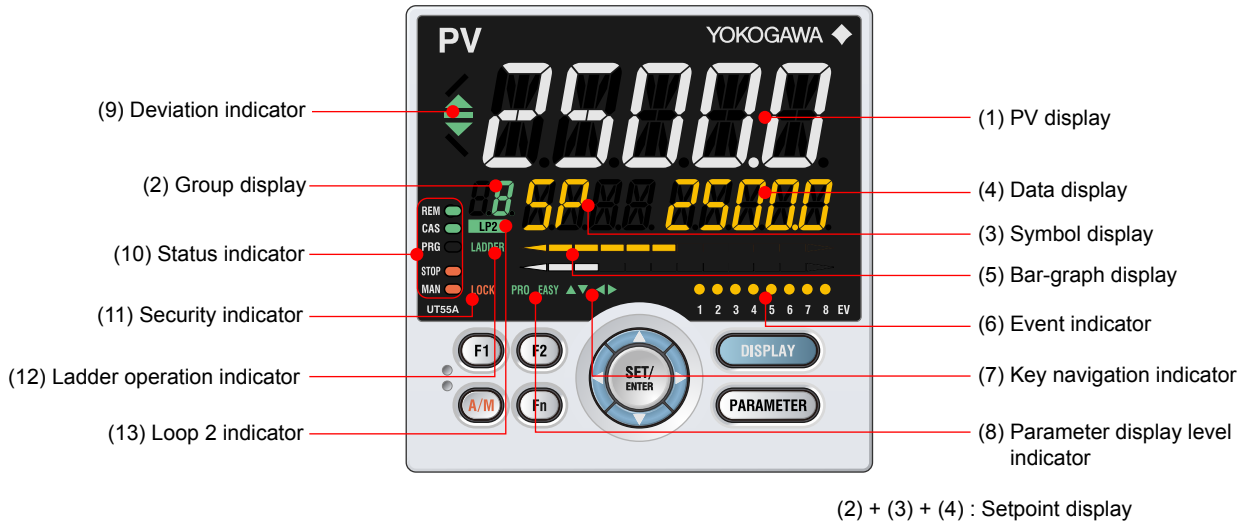
3.1 Names and Functions of Display Parts

On models with the /MDL option, there are no display areas or key operation areas.

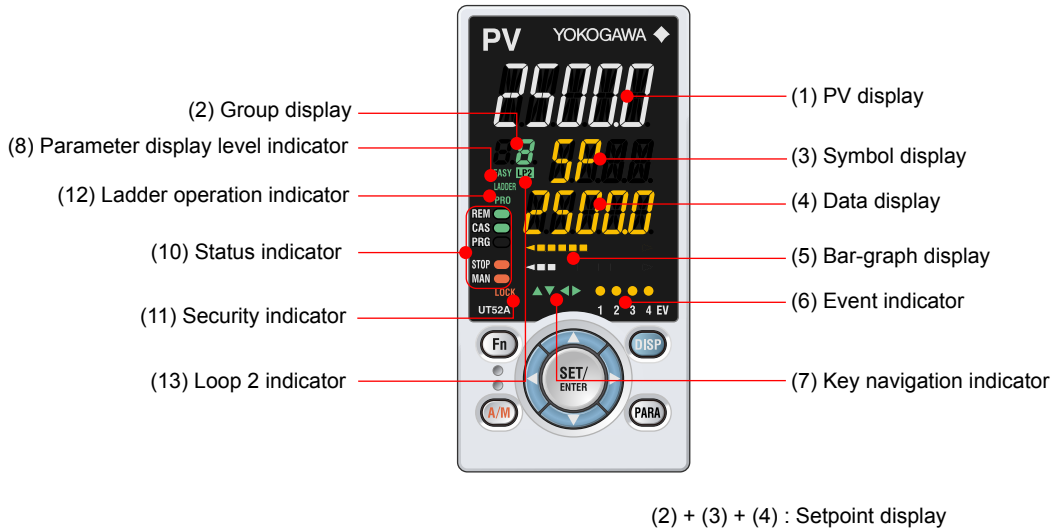
See the next page.

3.1 Names and Functions of Display Parts

UT55A



UT52A



3.1 Names and Functions of Display Parts

No. in figure	Name	Description												
(1)	PV display (white or red)	Displays PV. Displays an error code if an error occurs. Displays the scrolling guide in the Menu Display and Parameter Setting Display when the guide display ON/OFF is set to ON.												
(2)	Group display (green)	Displays a group number (1 to 8, or R) and terminal area (E1 to E4). 1 to 8 represent SP numbers in the Operation Display. R and E1 to E4 are displayed in the Parameter Setting Display.												
(3)	Symbol display (orange)	Displays a parameter symbol.												
(4)	Data display (orange)	Displays a parameter setpoint and menu symbol.												
(5)	Bar-graph display (orange and white)	Displays control output value (OUT) and measured input value (PV). The data to be displayed can be set by the parameter. Initial value: upper bar (deviation), lower bar (control output, internal computed value in Position proportional control); in Heating/cooling control, upper bar (heating-side control output), lower bar (cooling-side control output)												
(6)	Event indicator (orange)	UT55A: Lit when the alarms 1 to 8 occur. (Initial value: 1 to 4) UT52A: Lit when the alarms 1 to 4 occur. Event displays other than alarms can be set by the parameter.												
(7)	Key navigation indicator (green)	Lit or blinks when the Up/Down or Left/Right arrow key operation is possible.												
(8)	Parameter display level indicator (green)	Displays the setting conditions of the parameter display level function. <table border="1"> <thead> <tr> <th>Parameter display level</th> <th>EASY</th> <th>PRO</th> </tr> </thead> <tbody> <tr> <td>Easy setting mode</td> <td>Lit</td> <td>Unlit</td> </tr> <tr> <td>Standard setting mode</td> <td>Unlit</td> <td>Unlit</td> </tr> <tr> <td>Professional setting mode</td> <td>Unlit</td> <td>Lit</td> </tr> </tbody> </table>	Parameter display level	EASY	PRO	Easy setting mode	Lit	Unlit	Standard setting mode	Unlit	Unlit	Professional setting mode	Unlit	Lit
Parameter display level	EASY	PRO												
Easy setting mode	Lit	Unlit												
Standard setting mode	Unlit	Unlit												
Professional setting mode	Unlit	Lit												
(9)	Deviation indicator (for UT55A only) (green)	Displays the status of a deviation (PV - SP). ▲ : Lit if a deviation exceeds the deviation display band. — : Lit when a deviation is within the deviation display band. ▼ : Lit if a deviation falls below the deviation display band. The deviation indicator is unlit if the Displays other than the Operation Display or SELECT Display are shown. Deviation display band can be set by the parameter.												
(10)	Status indicator (green and red)	Displays the operating conditions and control status. <table border="1"> <thead> <tr> <th>Display</th> <th>Description</th> </tr> </thead> <tbody> <tr> <td>REM</td> <td>Lit when in remote mode (REM).</td> </tr> <tr> <td>CAS</td> <td>Lit when in cascade mode (CAS).</td> </tr> <tr> <td>PRG</td> <td>Unused</td> </tr> <tr> <td>STOP</td> <td>Lit when in stop mode (STOP).</td> </tr> <tr> <td>MAN</td> <td>Lit when in manual mode (MAN). Blinks during auto-tuning.</td> </tr> </tbody> </table>	Display	Description	REM	Lit when in remote mode (REM).	CAS	Lit when in cascade mode (CAS).	PRG	Unused	STOP	Lit when in stop mode (STOP).	MAN	Lit when in manual mode (MAN). Blinks during auto-tuning.
Display	Description													
REM	Lit when in remote mode (REM).													
CAS	Lit when in cascade mode (CAS).													
PRG	Unused													
STOP	Lit when in stop mode (STOP).													
MAN	Lit when in manual mode (MAN). Blinks during auto-tuning.													
(11)	Security indicator (red)	Lit if a password is set. The setup parameter settings are locked.												
(12)	Ladder operation indicator (green)	Lit while the ladder program operation is executed.												
(13)	Loop 2 indicator (LP2 lamp) (green)	Lit when the control mode is Cascade control. In the Operation Display, the LP2 lamp is lit while the Loop-2 data is displayed on Setpoint display. In the Parameter Setting Display, the LP2 lamp indicates the loop of displayed menu symbol or parameter symbol. The LP2 lamp is lit while the Loop-2 menu symbol or parameter symbol is displayed.												

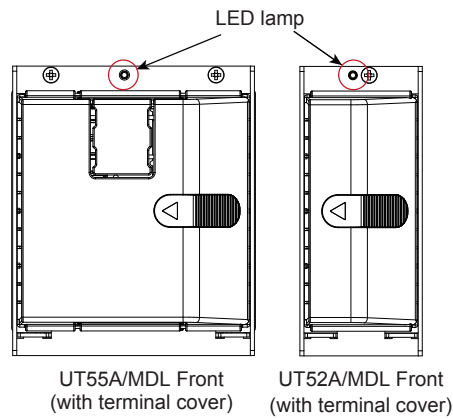
3.1 Names and Functions of Display Parts

The controller with optional suffix code /MDL

The controller status can be verified with the LED.

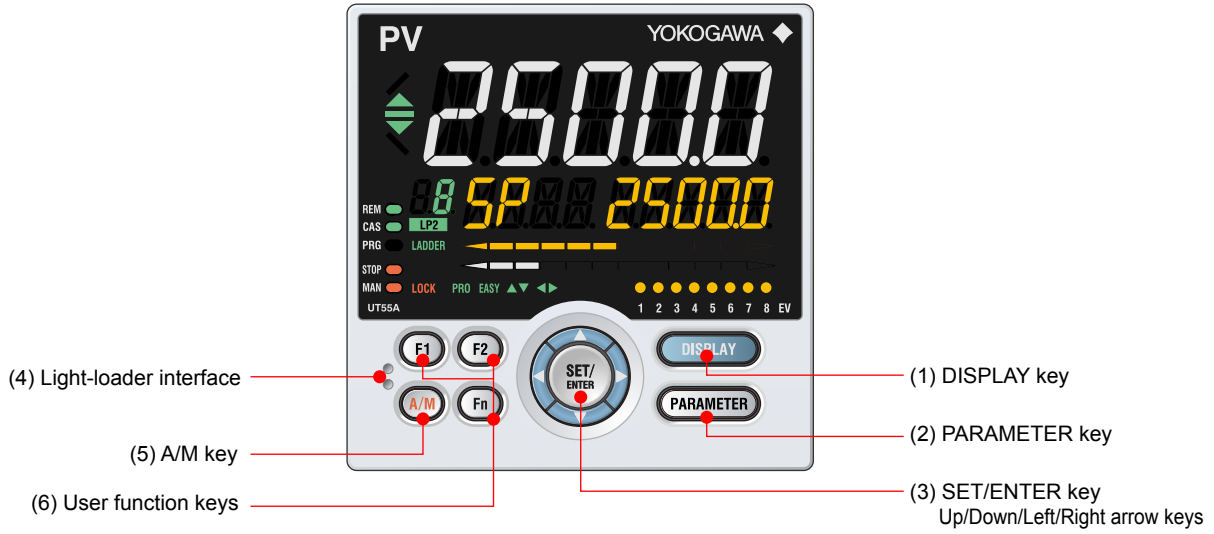
Status	LED	Lit/Blinks	Description
Normal	Green	Lit	
Communication error	Green	Blinks	Check the communication wiring and settings.
Instrument failure	Red	Lit	Parameter error/Hardware failure/ Ladder program corruption.
Input error	Red	Blinks	Sensor burnout, input over Check the input wiring and settings.

► Detailed error: [Chapter 16 Troubleshooting, Maintenance, and Inspections](#)

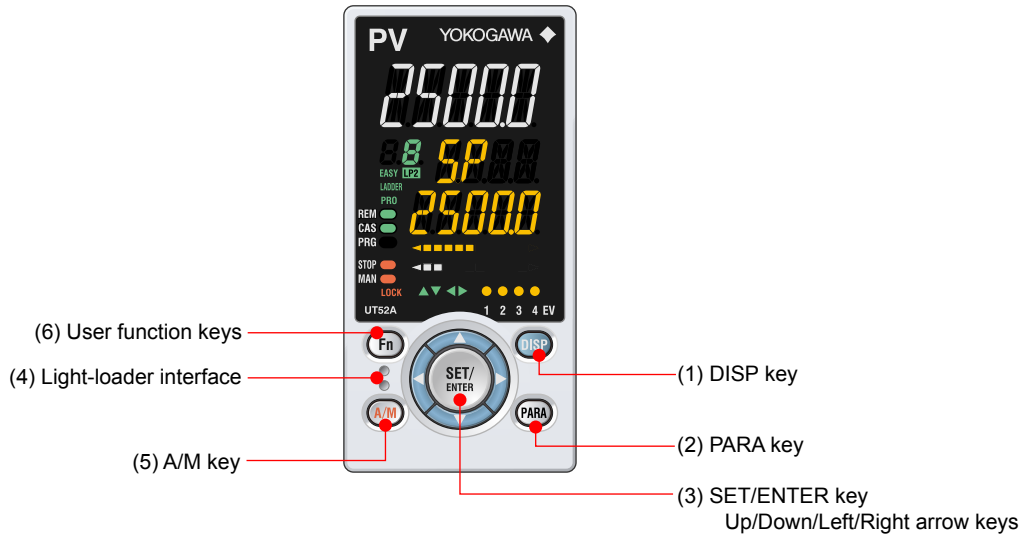


3.2 Names and Functions of Keys

UT55A



UT52A

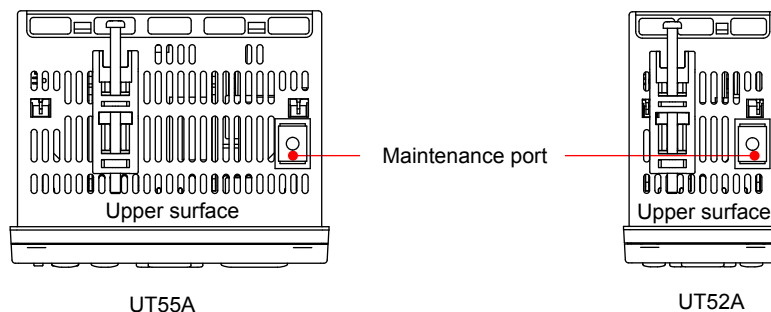


3.2 Names and Functions of Keys

No. in figure	Name	Description
(1)	UT55A: DISPLAY key UT52A: DISP key	Used to switch the Operation Displays. Press the key in the Operation Display to switch the provided Operation Displays. Press the key in the Menu Display or Parameter Setting Display to return to the Operation Display.
(2)	UT55A: PARAMETER key UT52A: PARA key	Hold down the key for 3 seconds to move to the Operation Parameter Setting Display. Hold down the key and the Left arrow key simultaneously for 3 seconds to move to the Setup Parameter Setting Display. Press the key in the Parameter Setting Display to return to the Menu Display. Press the key once to cancel the parameter setting (setpoint is blinking).
(3)	SET/ENTER key Up/Down/ Left/Right arrow keys	SET/ENTER key Press the key in the Menu Display to move to the Parameter Setting Display of the Menu. Press the key in the Parameter Setting Display to transfer to the parameter setting mode (setpoint is blinking), and the parameter can be changed. Press the key during parameter setting mode to register the setpoint. Up/Down/Left/Right arrow keys Press the Left/Right arrow keys in the Menu Display to switch the Displays. Press the Up/Down/Left/Right arrow keys in the Parameter Setting Display to switch the Displays. Press the Up/Down arrow keys during parameter setting mode (setpoint is blinking) to change a setpoint. Press the Left/Right arrow keys during parameter setting mode (setpoint is blinking) to move between digits according to the parameter.
(4)	Light-loader interface	It is the communication interface to the adapter cable when setting and storing parameters via PC. The LL50A Parameter Setting Software (sold separately) is required.
(5)	A/M key	Used to switch between AUTO and MAN modes. The setting is switched between AUTO and MAN each time the key is pressed. The user can assign a function key.
(6)	User function keys	The UT55A has F1, F2, and Fn keys. The UT52A has only the Fn key. The user can assign a function to the key. The function is set by the parameter.

Maintenance Port (Power supply is not required for the UT55A/UT52A) (excluding the /MDL option)

The maintenance port is used to connect with the dedicated cable when using LL50A Parameter Setting Software (sold separately). The parameters can be set without supplying power to the UT55A/UT52A.



CAUTION

When using the maintenance port, do not supply power to the controller. Otherwise, the controller does not work normally.
If power is supplied to the controller while the cable is connected, or the cable is connected to the controller already turned on, unplug the cable and turn on the controller again. The controller returns to the normal condition.

Maintenance Port Communication (Power supply is required for the UT55A/UT52A) (with the /MDL option)

The maintenance port is used to connect a dedicated cable when using the LL50A Parameter Setting Software (sold separately). Through this port, you can set controller parameters, download ladder programs, and so on.
For details, see the LL50A User's Manual (IM 05P05A01-02EN).

CAUTION

Use LL50A with the controller turned on. (The dedicated cable must be connected. LL50A Light-loader adapter cannot be used.)
The maintenance port is not isolated from the PV input terminal. Use the port only for maintenance purposes, such as for setting the controller parameters.

3.3 List of Display Symbols

The following shows the parameter symbols, menu symbols, alphanumeric of guide, and symbols which are displayed on the UT55A/UT52A.

Figure (common to all display area)

0 1 2 3 4 5 6 7 8 9
0 1 2 3 4 5 6 7 8 9

PV display (14 segments): Alphabet

A B C D E F
A B C D E F

G H I J K L
G H I J K L

M N O P Q R
M N O P Q R

S T U V W X
S T U V W X

Y Z
Y Z

Symbol display and Data display (11 segments): Alphabet

A B C D E F
A b C d E F

C (lower-case)
c

G H I J K L
G H I J K L

M N O P Q R
M N O P Q R

S T U V W X
S t U v W x

Y Z
Y Z

Group display (7 segments): Alphabet

A	B	C	D	E	F
G	H	I	J	K	L
M	N	O	P	Q	R
S	T	U	V	W	X
					None
Y	Z				

PV display (14 segments): Symbol

Space	-	/	'	,

3.4 Brief Description of Setting Details (Parameters)

This manual describes the Setting Details as follows in addition to the functional Description.

Setting Details

(Display Example)

Parameter symbol	Name	Display level	Setting range	Menu symbol
A1 to A8	Alarm-1 to -8 setpoint	EASY	Set a display value of setpoint of PV alarm, SP alarm, deviation alarm, output alarm, or velocity alarm. -19999 to 30000 (Set a value within the input range.) Decimal point position depends on the input type	SP Ope

(1) Parameter symbol: Symbol displayed on Symbol display on the front panel.

(2) Name: Parameter name

(3) Display level: Indicates the parameter display level.

(4) Setting range: Parameter setting range

(5) Menu symbol: Indicates the menu to which the parameter belongs.

Ope: Operation parameter

Set: Setup parameter

Parameter Display Level

Display level		Description
EASY	Easy setting mode: The minimum necessary parameters are displayed.	Corresponding parameters are displayed in all modes.
STD	Standard setting mode: The wider range of parameters than those shown in Easy setting mode are displayed.	Corresponding parameters are displayed only in Standard setting mode and Professional setting mode. Parameter display level indicators "EASY" and "PRO" are unlit in Standard setting mode. *: "STD" is the symbol used in this manual only.
PRO	Professional setting mode: All parameters are displayed.	Corresponding parameters are displayed only in Professional setting mode.

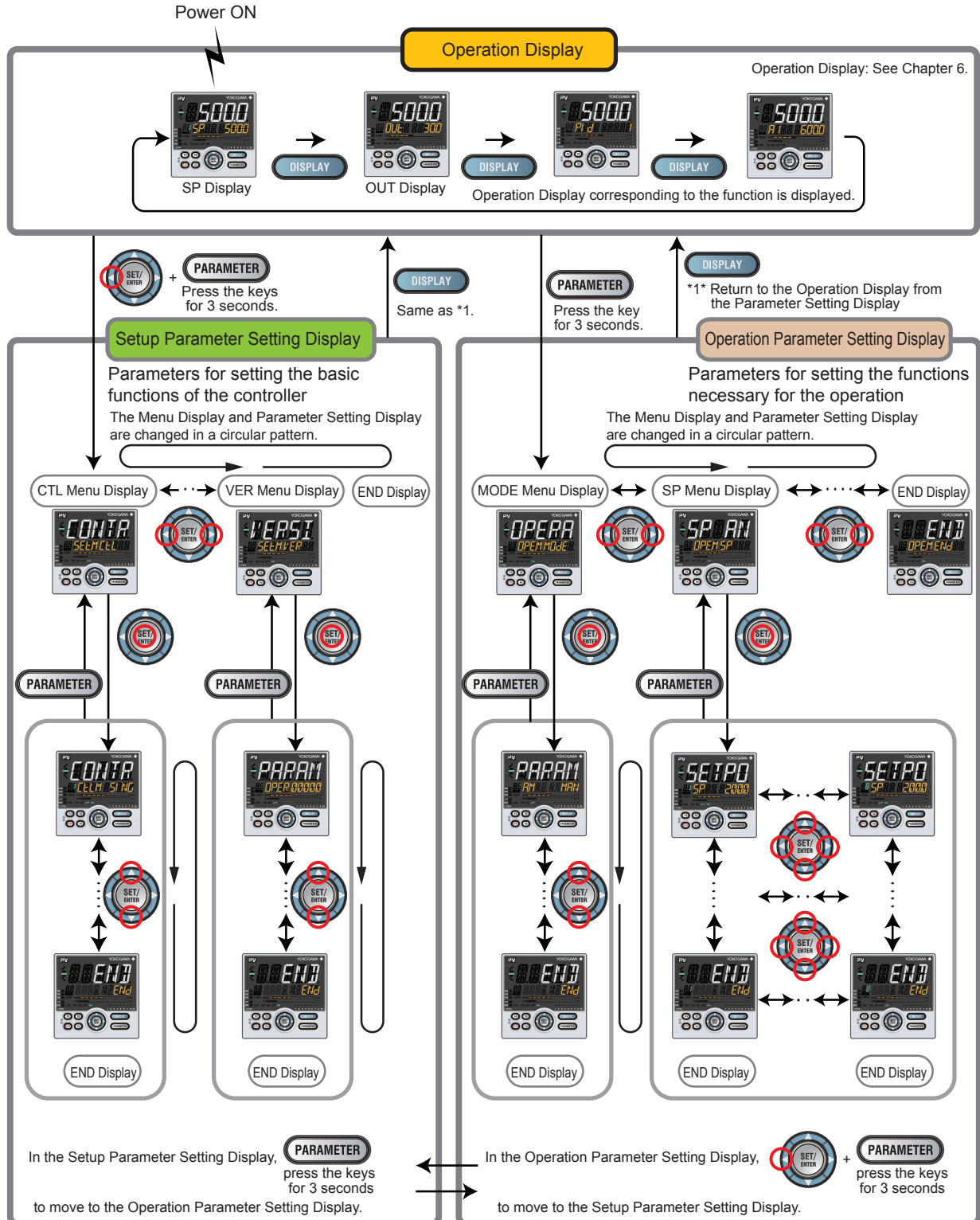
Note

For more intelligible display operation of parameters and the references, see Chapter 18, "Parameter Map."

4.1 Overview of Display Switch and Operation Keys

The following shows the transition of Operation Display, Operation Parameter Setting Display, and Setup Parameter Setting Display. This section does not apply to models with the /MDL option.




The "Operation Parameter Setting Display" has the parameters for setting the functions necessary for the operation. The "Setup Parameter Setting Display" has the parameters for setting the basic functions of the controller.



4.1 Overview of Display Switch and Operation Keys

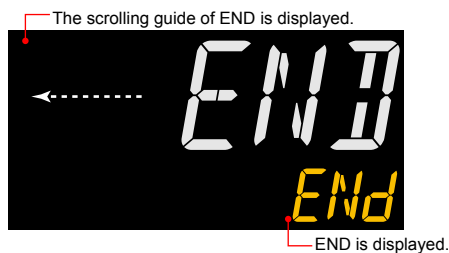
The display pattern of the UT55A/UT52A is as follows; the Menu Display and Parameter Setting Display.

For the Operation Display, see Chapter 6, "Monitoring and Control of Regular Operations."

Display	Description
<p>Menu Display</p>	<p>The Menu Display is segmented by the function and optional terminal position. The scrolling guide for the menu is displayed on PV display. The guide display can be turned on/off with the Fn key.</p> <p>Menu Display of Operation Parameter</p>  <p>The scrolling guide for the menu is displayed.</p> <p>OPE.M is displayed. Menu symbol is displayed. Group number or Terminal area is displayed. Lit while Loop-2 parameter is displayed.</p> <p>Menu Display of Setup Parameter</p>  <p>The scrolling guide for the menu is displayed.</p> <p>SET.M is displayed. Menu symbol is displayed. Group number or Terminal area is displayed.</p>
<p>Parameter Setting Display</p>	<p>The following is the Display for displaying and setting a parameter. The parameters have three types of display levels; Easy setting mode, Standard setting mode, and Professional setting mode. The parameters to be displayed can be limited according to the setting of the parameter display level. The scrolling guide for the parameter is displayed on PV display. The guide display can be turned on/off with the Fn key.</p> <p>Parameter Setting Display (Example of Operation Parameter Setting Display)</p>  <p>The scrolling guide for the parameter is displayed.</p> <p>Parameter symbol is displayed. Setpoint is displayed. Group number or Terminal area is displayed. Lit while Loop-2 parameter is displayed.</p>

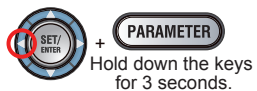
Display Shown at the End (the Lowest Level) of the Parameter Setting Display

As shown in the figure below, the END Display is shown to indicate the end of the Menu Display and Parameter Setting Display. There are no setting items.

**Basic Key Operation Sequence**

- **To move to the Setup Parameter Setting Display**

Hold down the PARAMETER (or PARA) key and the Left arrow key simultaneously for 3 seconds.



- **To move to the Operation Parameter Setting Display**

Hold down the PARAMETER (or PARA) key for 3 seconds.



Hold down the key for 3 seconds.

- **To move to the Operation Display**

Press the DISPLAY (or DISP) key once.



4.2 How to Set Parameters

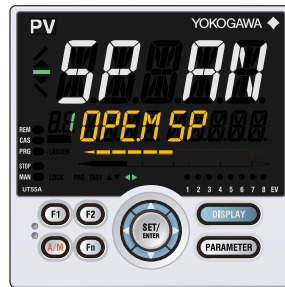
The following operating procedure describes an example of setting alarm setpoint (A1).

Operation

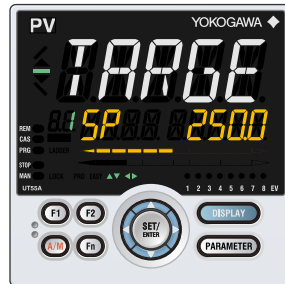
1. Hold down the **PARAMETER** key for 3 seconds in the Operation Display to call up the **[MODE]** Menu Display.



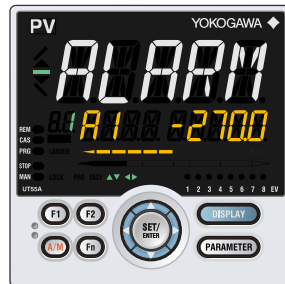
2. Press the **Right arrow** key to display the **[SP]** Menu Display.



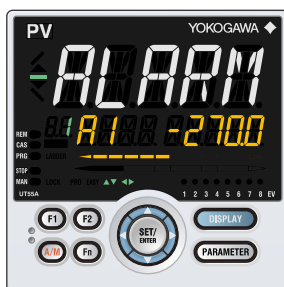
3. Press the **SET/ENTER** key to display the **[SP]** Parameter Setting Display.



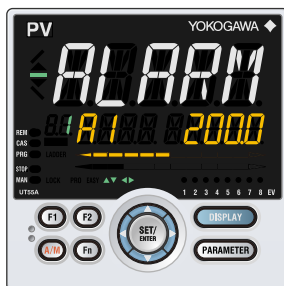
4. Press the **Down arrow** key to display the **[A1]** Parameter Setting Display.



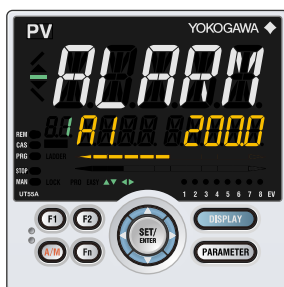
5. Press the **SET/ENTER** key to blink the setpoint.



6. Press the **Up** or **Down arrow** key to change the setpoint.
(Change the setpoint using the Up/Down arrow keys to increase and decrease the value and the Left/Right arrow keys to move between digits.)



7. Press the **SET/ENTER** key to register the setpoint (the setpoint stops blinking).



8. Press the **PARAMETER** key once to return to the Menu Display. Press the **DISPLAY** key once to return to the Operation Display.

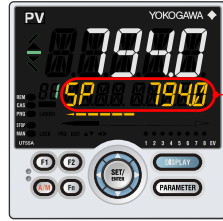
This completes the setting procedure.

How to Cancel Parameter Setting

To cancel parameter setting when a parameter is being set (setpoint is blinking), press the **PARAMETER** key once.

How to Set Parameter Setpoint

Numeric Value Setting



1. Display the Parameter Setting Display.



2. Press the SET/ENTER key to move to the setting mode (the setpoint blinks).



3. Press the Left arrow key to move one digit to the left. (Press the Right arrow key to move one digit to the right.)

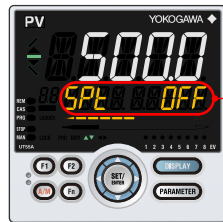


4. Press the Up or Down arrow key to change the setpoint. Press the Up arrow key when 9 is displayed to move one digit to the left. Press the Down arrow key when 0 is displayed to move one digit to the right.



5. Press the SET/ENTER key to register the setpoint.

Selection Data Setting



1. Display the Parameter Setting Display.



2. Press the SET/ENTER key to move to the setting mode (the setpoint blinks).

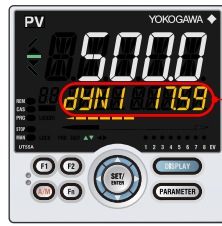


3. Press the Up arrow key to change the setpoint (press the Down arrow key to change the setpoint).



4. Press the SET/ENTER key to register the setpoint.

Time (minute.second) Setting



Example of 17 minutes 59 seconds

A digital display showing 'dYN 1 1759'. The '59' is blinking, indicating the start of the setting mode.

1. Display the Parameter Setting Display.

A digital display showing 'dYN 1 1759'. The '5' is blinking, indicating the first digit of the minutes is being set.

2. Press the SET/ENTER key to move to the setting mode (the setpoint blinks).

A digital display showing 'dYN 1 1759'. The '7' is blinking, indicating the second digit of the minutes is being set.

3. Press the Left arrow key to move one digit to the left. (press the Right arrow key to move one digit to the right.)

A digital display showing 'dYN 1 1809'. The '0' is blinking, indicating the first digit of the seconds is being set.

4. Press the Up or Down arrow key to change the setpoint. Press the Up arrow key when 5 is displayed to move one digit to the left. Press the Down arrow key when 0 is displayed to move one digit to the right.

A digital display showing 'dYN 1 1809'. The '9' is blinking, indicating the second digit of the seconds is being set.

5. Press the SET/ENTER key to register the setpoint.

5.1 Setting Using Quick Setting Function

Description

The Quick setting function is a function to easily set the basic function of the controller. The Quick setting function starts when the power is turned on after wiring. This section does not apply to models with the /MDL option.

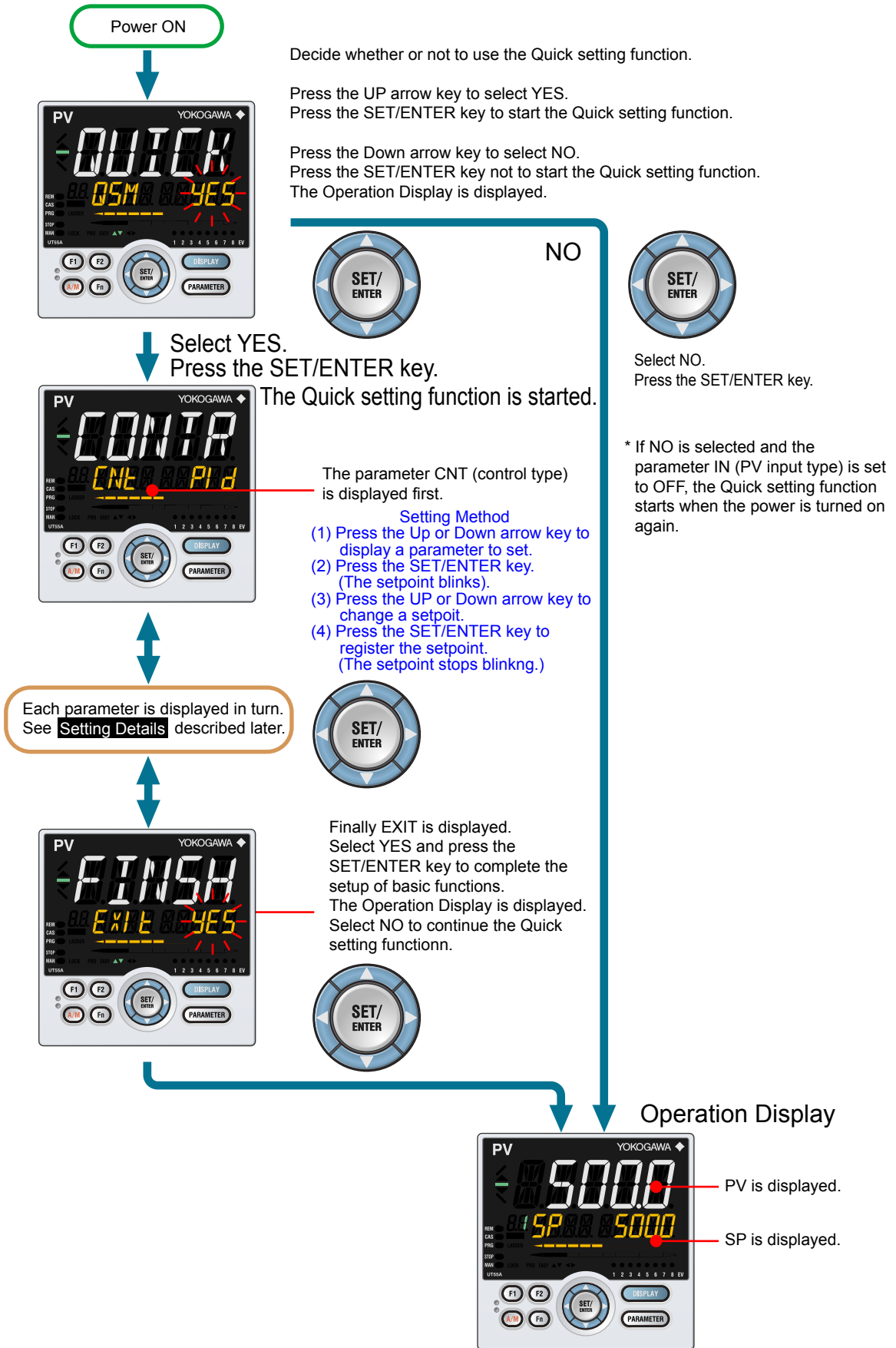
The Quick setting function can be used only when the control mode is [Single-loop control](#). In other control modes, set the functions without using the Quick setting function.

The following lists the items to set using the Quick setting function.

- (1) Control type (PID control, Heating/cooling control, etc.)
- (2) Input function (PV input, range, scale (at voltage/current input), etc.)
- (3) Output function (control output type and cycle time)

5.1 Setting Using Quick Setting Function

Flowchart of Quick Setting Function



Setting Example

Set the following parameters to set to PID control, thermocouple Type K (range: 0.0 to 500.0°C), and current control output. No need to change the parameters other than the following parameters.

Set QSM = YES to enter the quick setting mode.

- (1) Set CNT = PID.
- (2) Set IN = K1.
- (3) Set UNIT = C (initial value).
- (4) Set RH = 500.0.
- (5) Set RL = 0.0.
- (6) Set OT = 00.02

Set EXIT = YES to quit the quick setting mode.
The Operation Display is shown.

Setting Details**Control Type**

Parameter symbol	Name	Display level	Setting range	Menu symbol
CNT	Control type	EASY	PID: PID control ONOF: ON/OFF control (1 point of hysteresis) ONOF2: ON/OFF control (2 points of hysteresis) 2P2L: Two-position two-level control H/C: Heating/cooling control S-PI: Sample PI control BATCH: Batch PID control FFPID: Feedforward control	CTL Set

Note1: In Cascade control, the LP2 lamp is lit while the Loop-2 parameter is displayed.

▶ [Control type: 8.2 Setting Control Type \(CNT\)](#)

5.1 Setting Using Quick Setting Function

Input Function

Parameter symbol	Name	Display level	Setting range	Menu symbol
IN	PV input type	EASY	OFF: Disable K1: -270.0 to 1370.0 °C / -450.0 to 2500.0 °F K2: -270.0 to 1000.0 °C / -450.0 to 2300.0 °F K3: -200.0 to 500.0 °C / -200.0 to 1000.0 °F J: -200.0 to 1200.0 °C / -300.0 to 2300.0 °F T1: -270.0 to 400.0 °C / -450.0 to 750.0 °F T2: 0.0 to 400.0 °C / -200.0 to 750.0 °F B: 0.0 to 1800.0 °C / 32 to 3300 °F S: 0.0 to 1700.0 °C / 32 to 3100 °F R: 0.0 to 1700.0 °C / 32 to 3100 °F N: -200.0 to 1300.0 °C / -300.0 to 2400.0 °F E: -270.0 to 1000.0 °C / -450.0 to 1800.0 °F L: -200.0 to 900.0 °C / -300.0 to 1600.0 °F U1: -200.0 to 400.0 °C / -300.0 to 750.0 °F U2: 0.0 to 400.0 °C / -200.0 to 1000.0 °F W: 0.0 to 2300.0 °C / 32 to 4200 °F PL2: 0.0 to 1390.0 °C / 32.0 to 2500.0 °F P2040: 0.0 to 1900.0 °C / 32 to 3400 °F WRE: 0.0 to 2000.0 °C / 32 to 3600 °F JPT1: -200.0 to 500.0 °C / -300.0 to 1000.0 °F JPT2: -150.0 to 150.0 °C / -200.0 to 300.0 °F PT1: -200.0 to 850.0 °C / -300.0 to 1560.0 °F PT2: -200.0 to 500.0 °C / -300.0 to 1000.0 °F PT3: -150.0 to 150.0 °C / -200.0 to 300.0 °F 0.4-2V: 0.400 to 2.000 V 1-5V: 1.000 to 5.000 V 4-20: 4.00 to 20.00 mA 0-2V: 0.000 to 2.000 V 0-10V: 0.00 to 10.00 V 0-20 : 0.00 to 20.00 mA -1020: -10.00 to 20.00 mV 0-100: 0.0 to 100.0 mV	PV Set
UNIT	PV input unit	EASY	-: No unit C: Degree Celsius -: No unit - -: No unit - - -: No unit F: Degree Fahrenheit	
RH	Maximum value of PV input range	EASY	Depends on the input type. - For temperature input - Set the temperature range that is actually controlled. (RL<RH)	
RL	Minimum value of PV input range	EASY	- For voltage / current input - Set the range of a voltage / current signal that is applied. The scale across which the voltage / current signal is actually controlled should be set using the maximum value of input scale (SH) and minimum value of input scale (SL). (Input is always 0% when RL=RH.)	

Note1: W:W-5% Re/W-26% Re(Hoskins Mfg. Co.). ASTM E988
 WRE: W97Re3-W75Re25

Input Function (Continued)

Parameter symbol	Name	Display level	Setting range	Menu symbol
SDP	PV input scale decimal point position	EASY	0: No decimal place 1: One decimal place 2: Two decimal places 3: Three decimal places 4: Four decimal places	PV Set
SH	Maximum value of PV input scale	EASY	-19999 to 30000, (SL<SH), SH - SL ≤ 30000	
SL	Minimum value of PV input scale	EASY		

▶ Input setting: 7.1 Setting Functions of PV Input, Remote Input, and Auxiliary Analog Input

Output Function

Parameter symbol	Name	Display level	Setting range	Menu symbol
OT	Output type selection	EASY	Control output or Heating-side control output (Lower two digits) 00: OFF 01: OUT terminals (voltage pulse) 02: OUT terminals (current) 03: OUT terminals (relay/triac) 04: OUT2 terminals (voltage pulse) 05: OUT2 terminals (current) 06: OUT2 terminals (relay/triac) Cooling-side control output (Upper two digits) 00: OFF 01: OUT terminals (voltage pulse) 02: OUT terminals (current) 03: OUT terminals (relay/triac) 04: OUT2 terminals (voltage pulse) 05: OUT2 terminals (current) 06: OUT2 terminals (relay/triac)	OUT Set
CT	Control output cycle time Heating-side control output cycle time (in Heating/cooling control)	EASY	0.5 to 1000.0 s	
CTc	Cooling-side control output cycle time	EASY		

▶ Output type: 10.1 Setting Control Output Type

▶ Cycle time: 10.2 Setting Control Output Cycle Time

5.2 Restarting Quick Setting Function

Once functions have been built using the Quick setting function, the Quick setting function does not start even when the power is turned on. The following methods can be used to restart the Quick setting function.

- Set the parameter QSM (Quick setting mode) to ON and turn on the power again.
- Set the parameter IN (PV input type) to OFF and turn on the power again.

CAUTION

The parameters related to the range or scale are initialized if the PV input type is changed.

Changing the control mode (CTLM) allows you to restart the Quick setting function. However, be careful because some parameters will be initialized.

This section does not apply to models with the /MDL option.

Setting Details

Parameter symbol	Name	Display level	Setting range	Menu symbol
IN	PV input type	EASY	OFF: Disable	PV Set
QSM	Quick setting mode	EASY	OFF: Disable ON: Enable	SYS Set

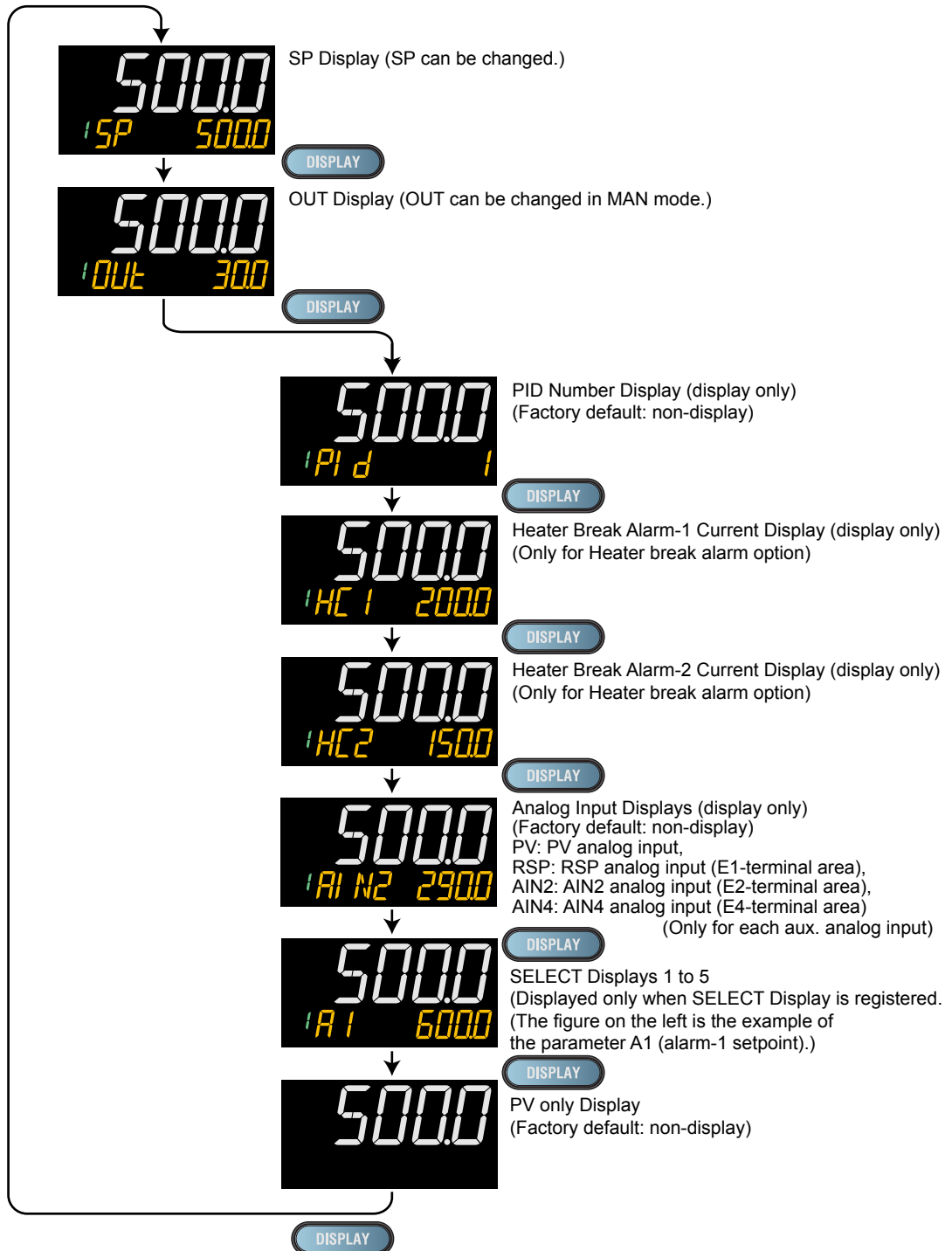
6.1 Monitoring and Control of Operation Displays

6.1.1 Operation Display Transitions in Single-loop Control, Cascade Primary-loop Control, Cascade Secondary-loop Control, Loop Control for Backup, and Loop Control with PV-hold Function.

(The displays only for the Standard type are displayed in Cascade primary-loop control.)

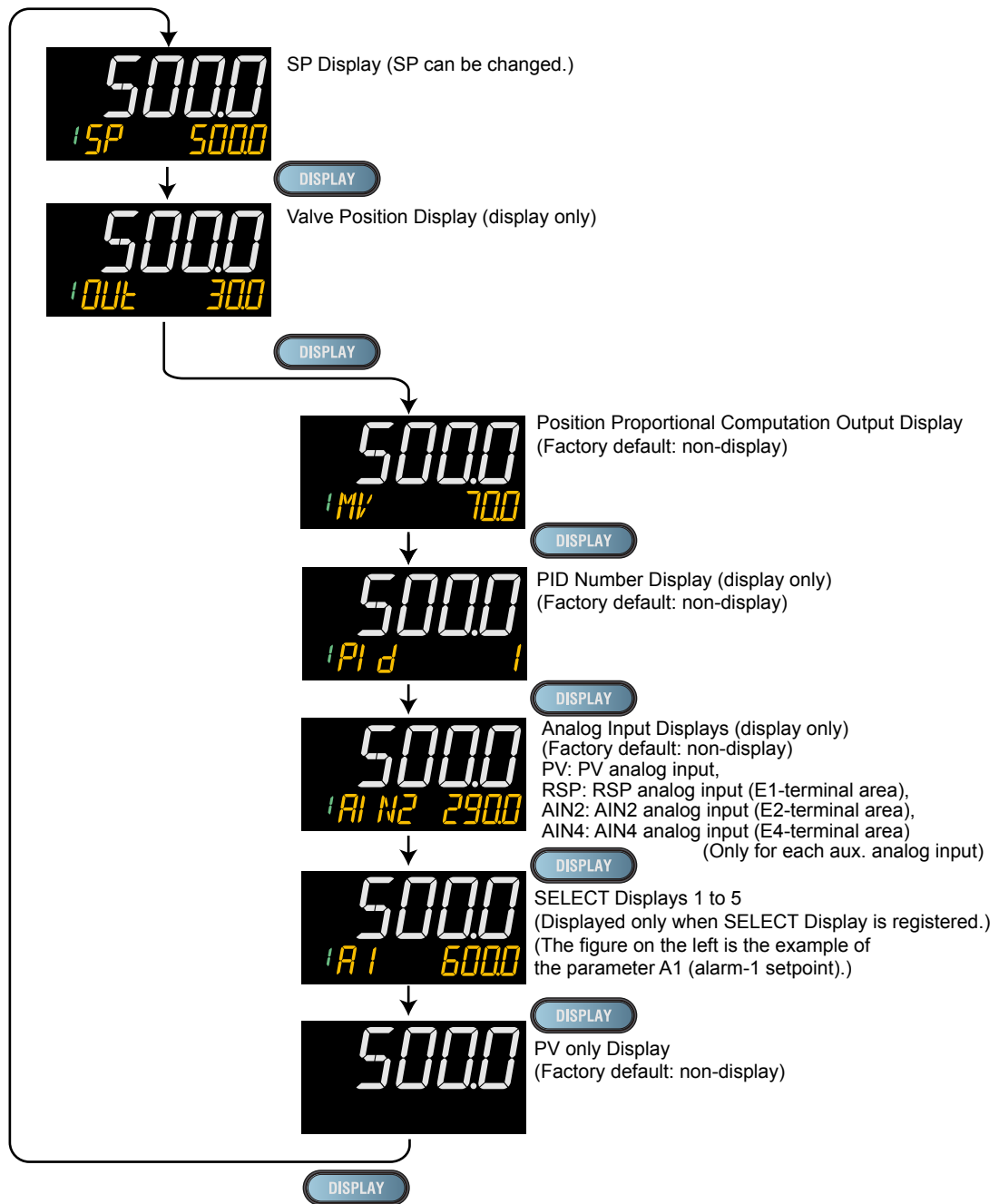
- ▶ Display/Non-display of Operation Display: 13.3.5 Setting Display/Non-display of Operation Display
- ▶ Registration of SELECT Display: 13.1.3 Registering SELECT Display (Up to 5 displays)

Standard Type

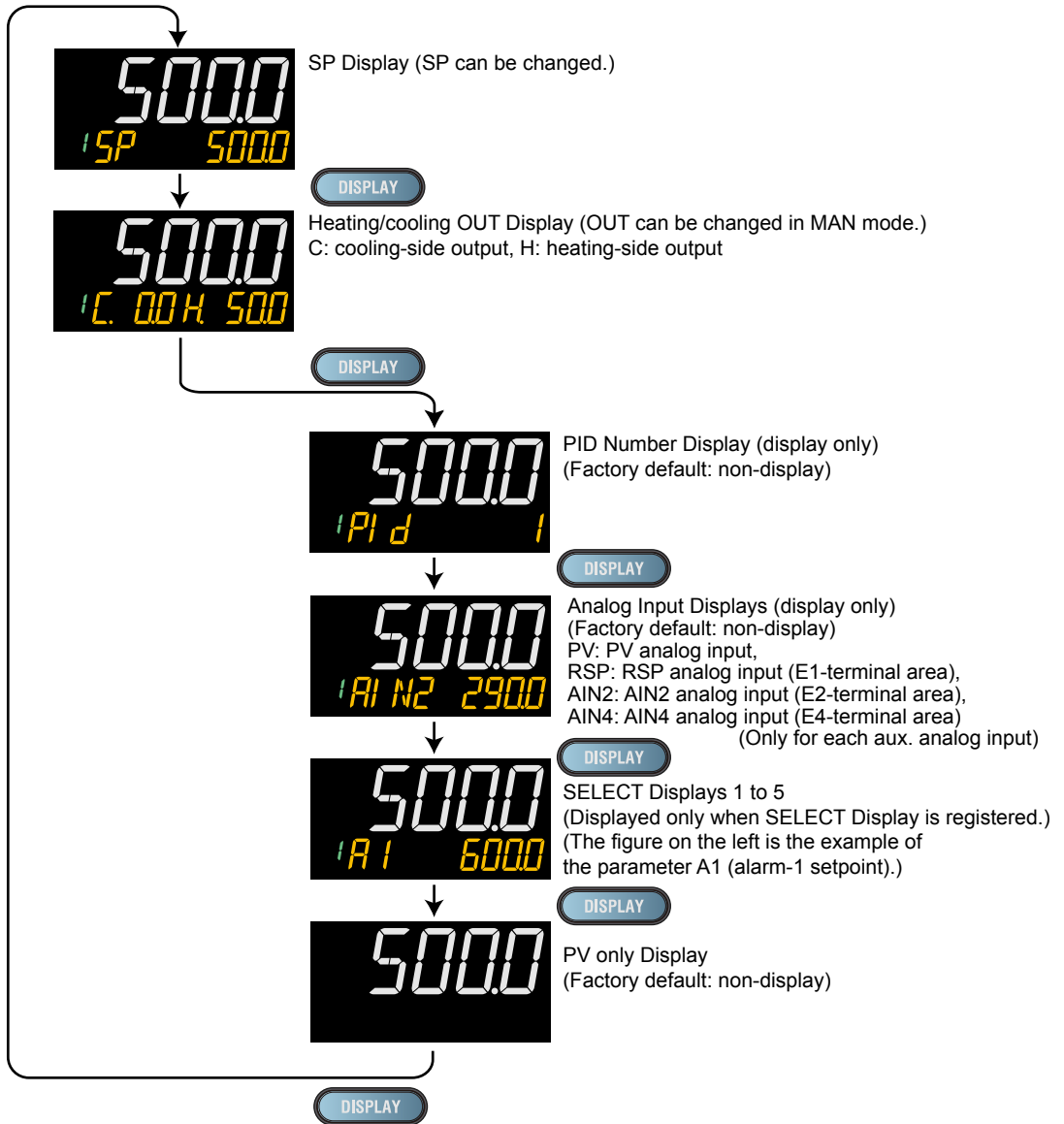


6.1 Monitoring and Control of Operation Displays

Position Proportional Type

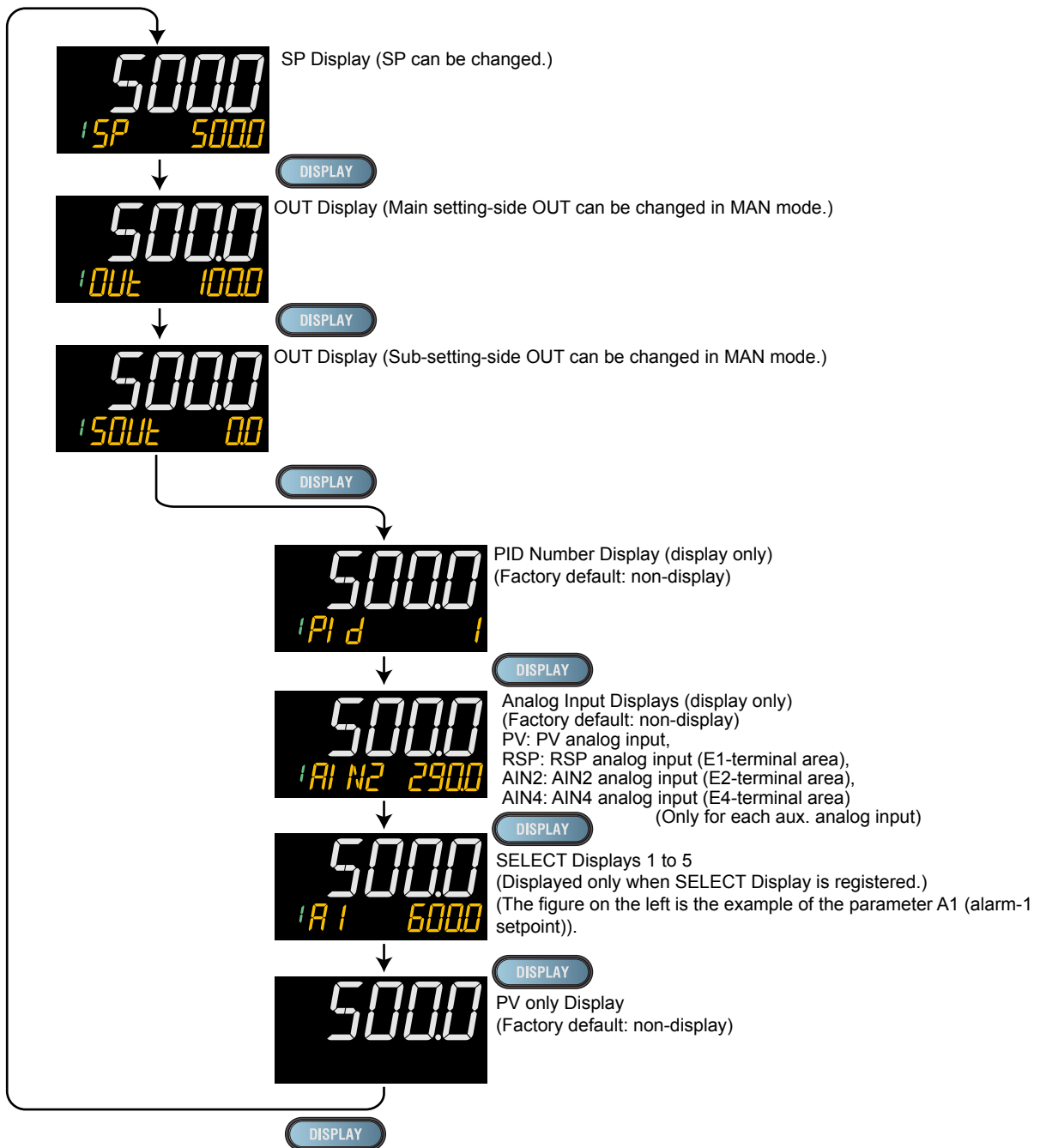


Heating/cooling Type



6.1 Monitoring and Control of Operation Displays

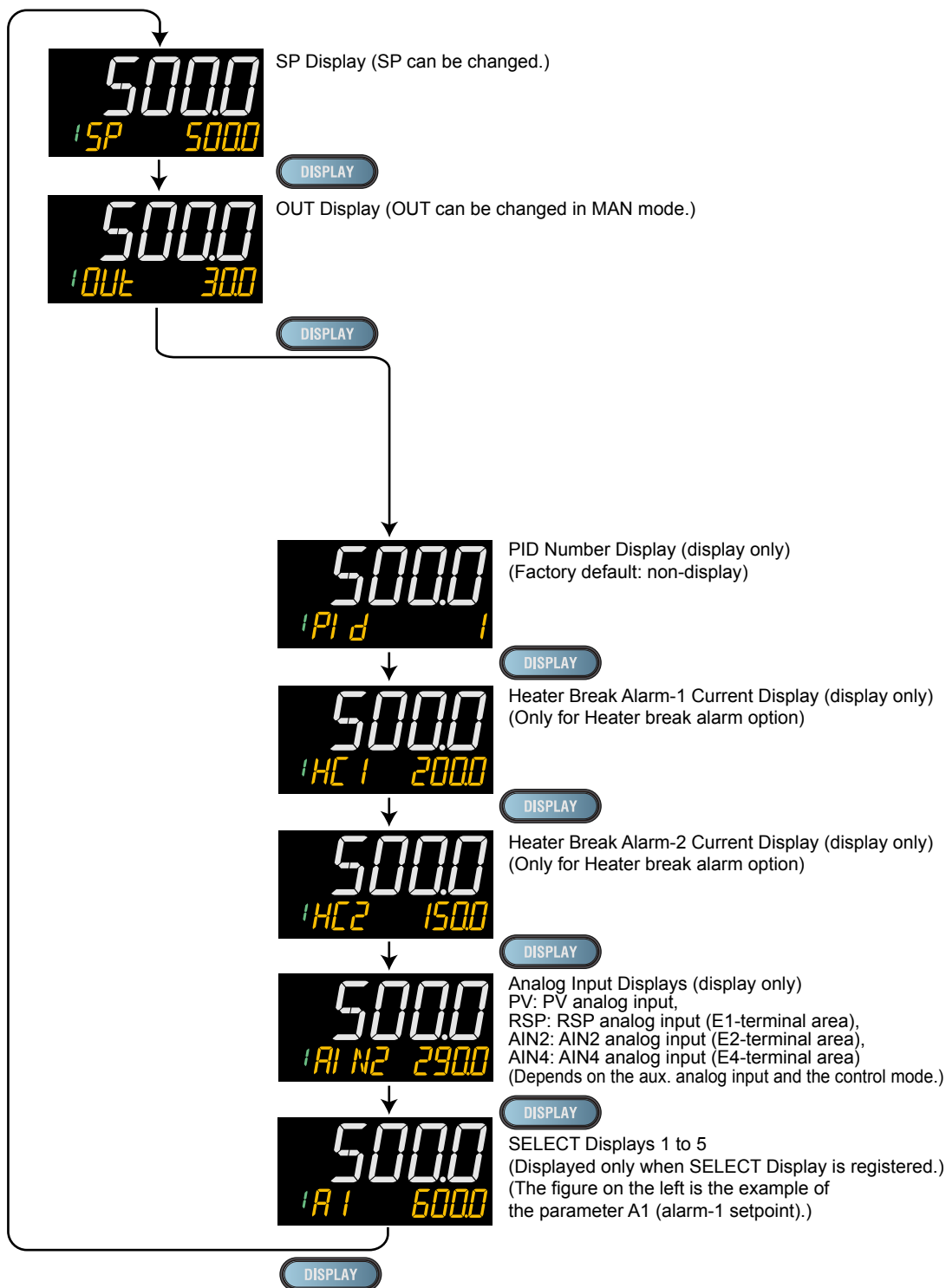
Single-loop Two-position two-level control



6.1.2 Operation Display Transitions in Loop Control with PV Switching and Loop Control with PV Auto-selector

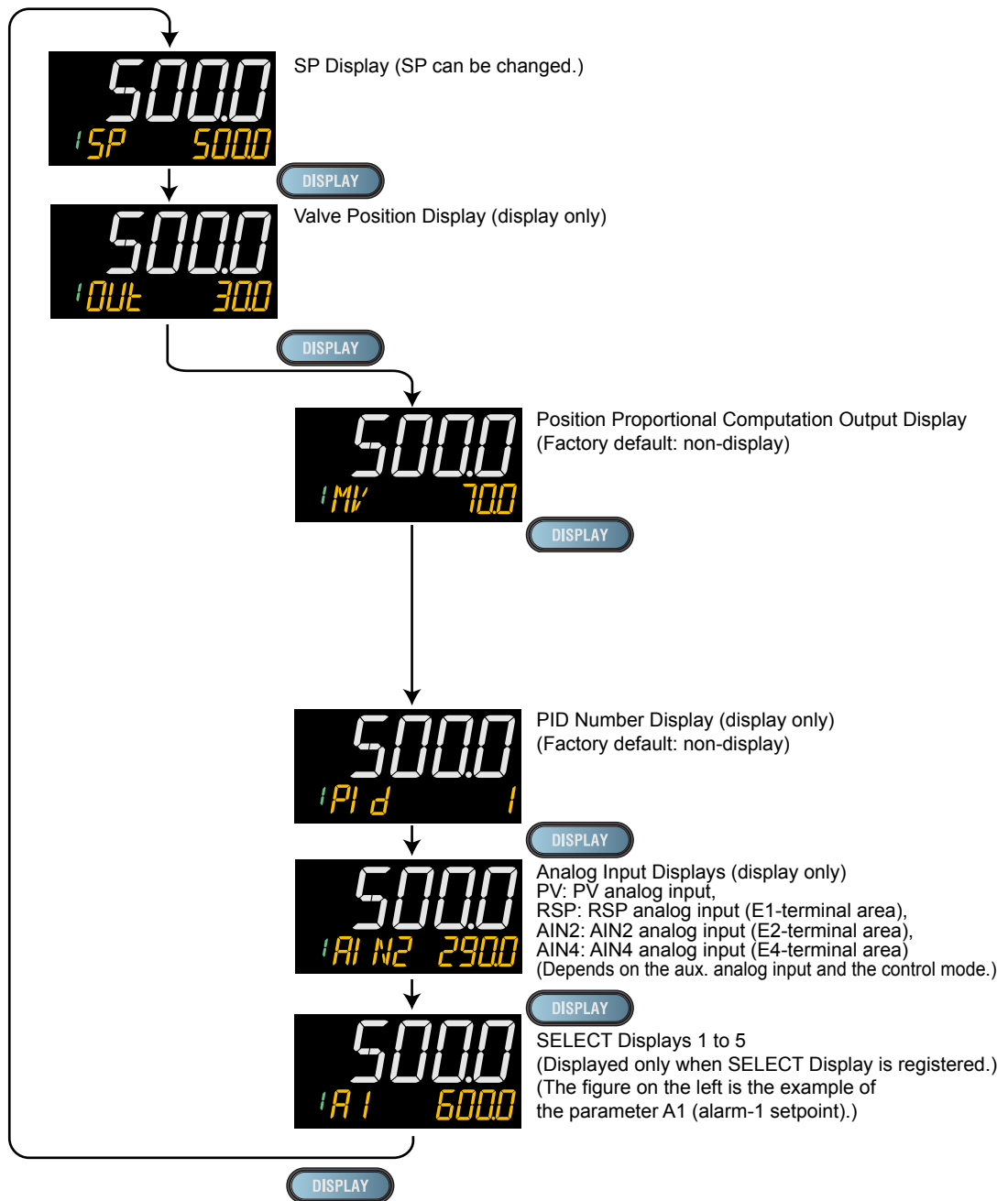
- ▶ Display/non-display of Operation Display: 13.3.5 Setting Display/Non-display of Operation Display
- ▶ Registration of SELECT Display: 13.1.3 Registering SELECT Display (Up to 5 Displays)

Standard Type

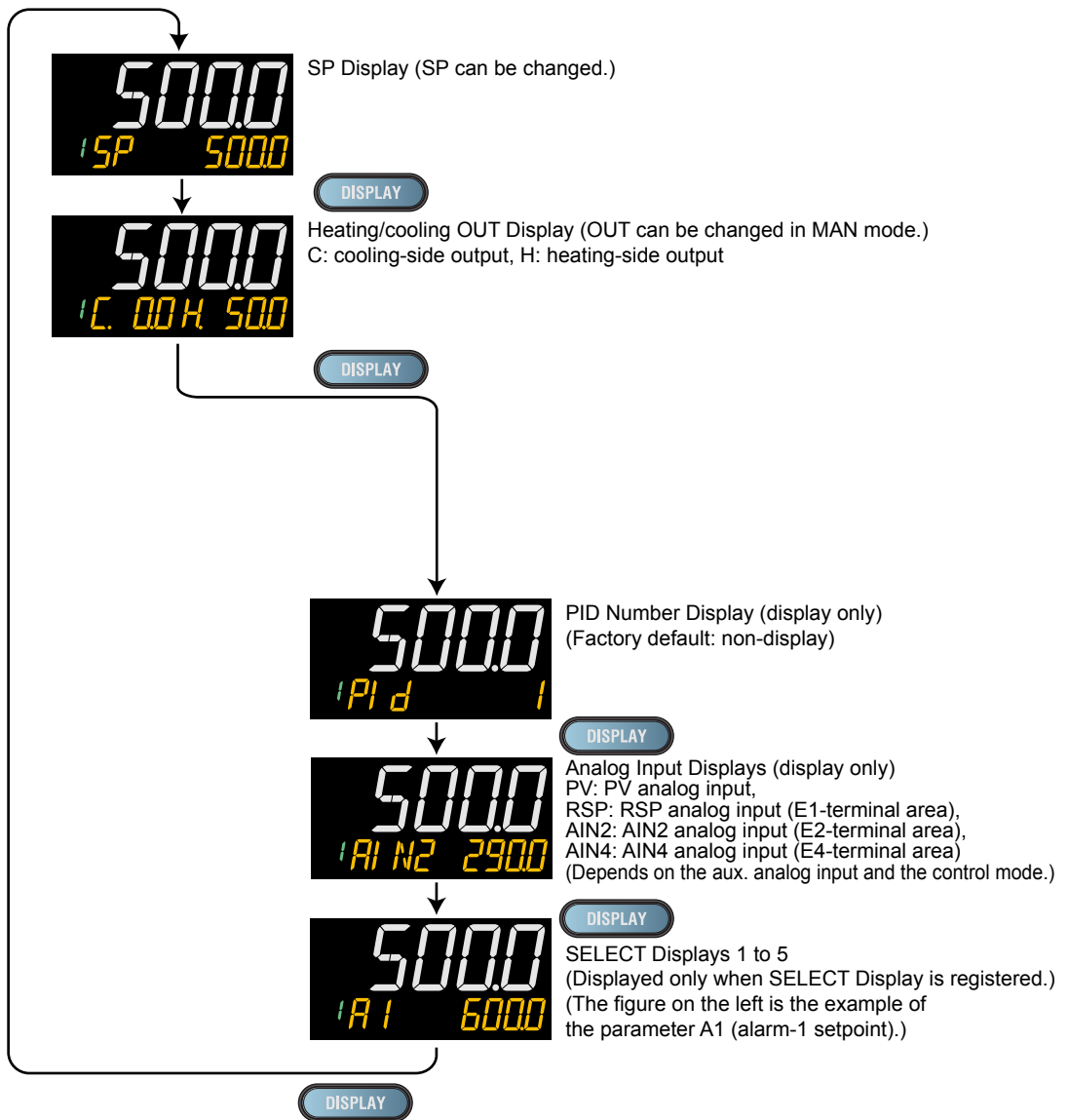


6.1 Monitoring and Control of Operation Displays

Position Proportional Type



Heating/cooling Type

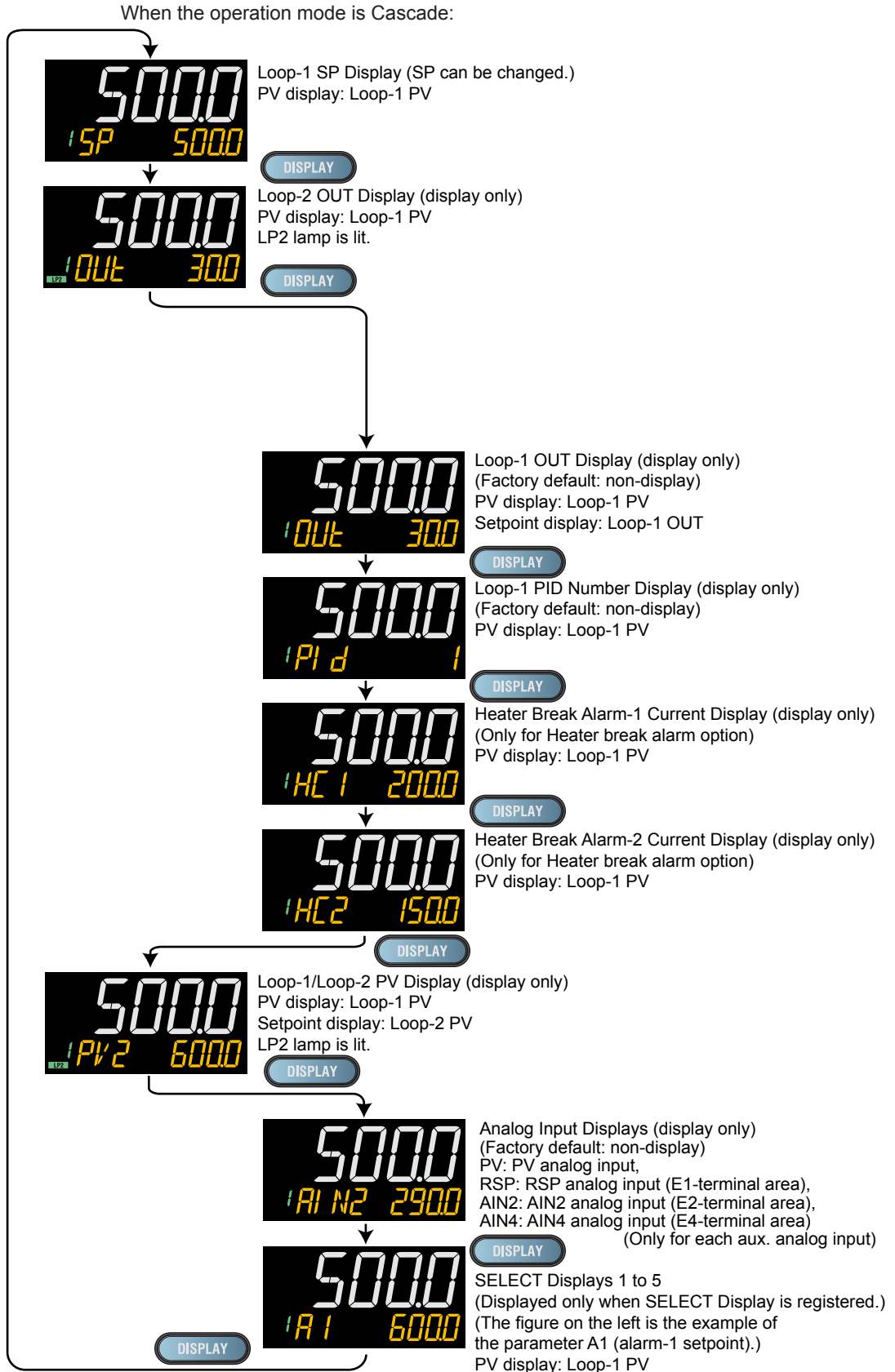


6.1 Monitoring and Control of Operation Displays

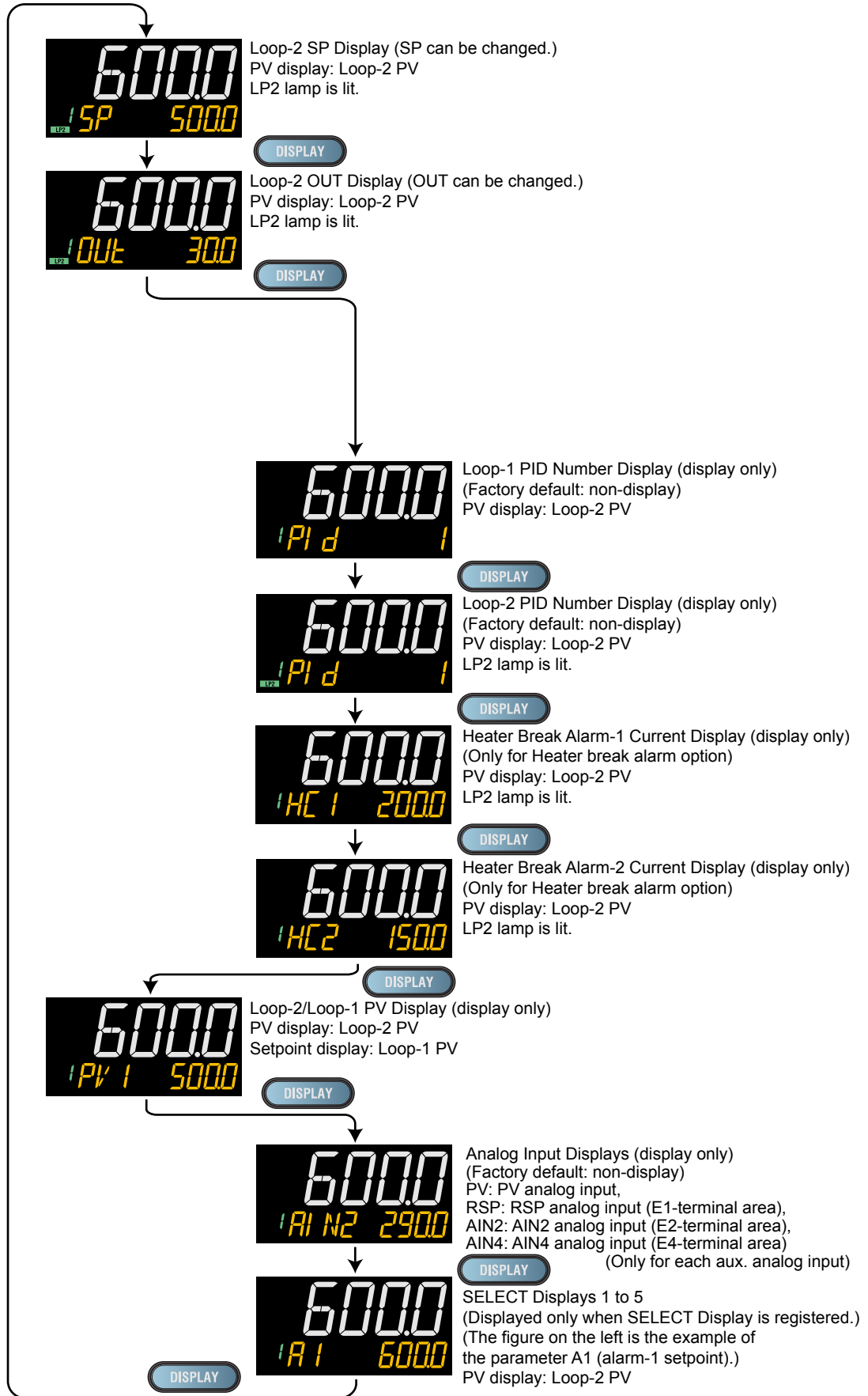
6.1.3 Operation Display Transitions in Cascade Control

- ▶ Display/non-display of Operation Display: 13.3.5 Setting Display/Non-Display of Operation Display
- ▶ Registration of SELECT Display: 13.1.3 Registering SELECT Display (Up to 5 Displays)

Standard Type



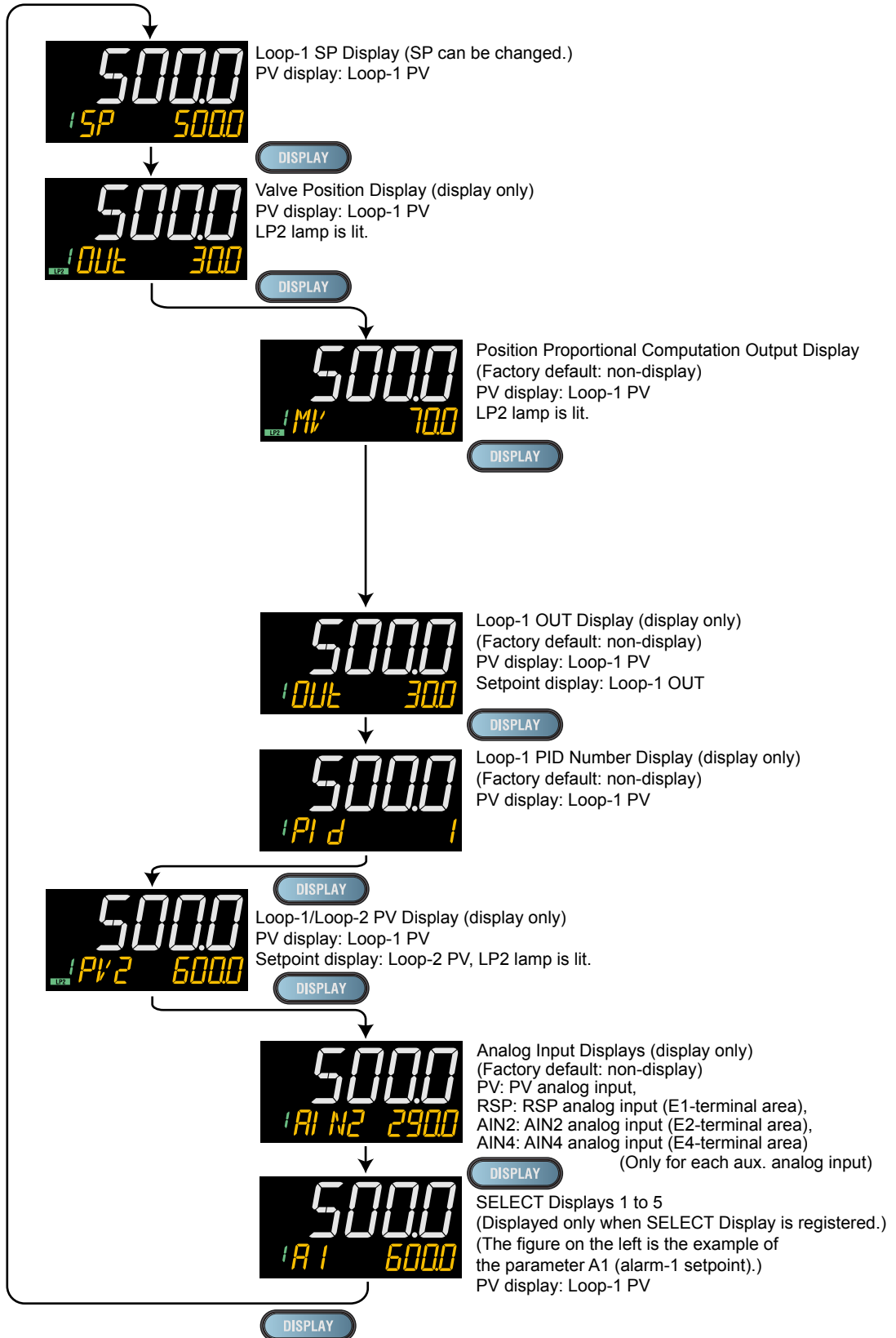
When the operation mode is AUTO or MAN:



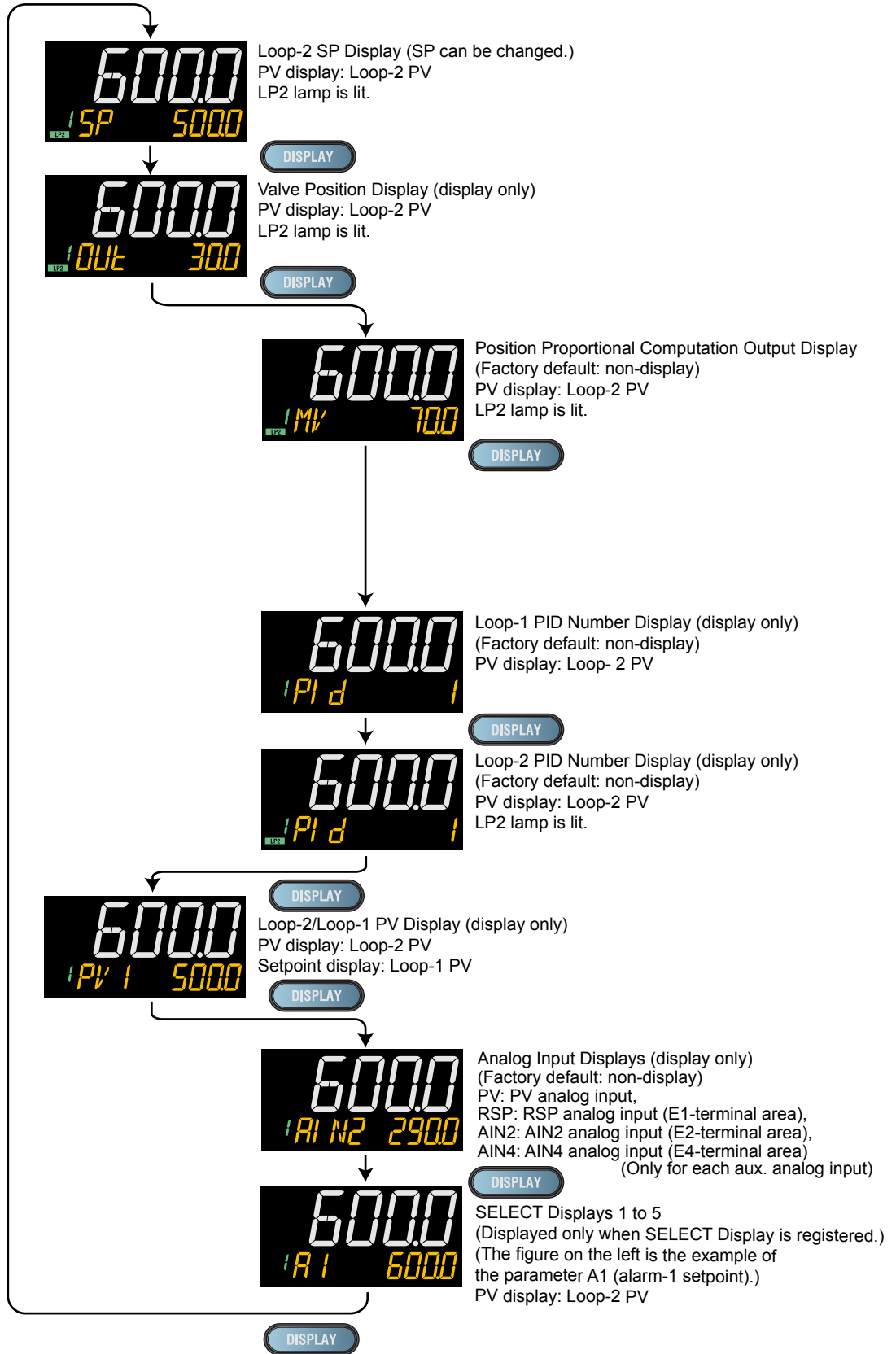
6.1 Monitoring and Control of Operation Displays

Position Proportional Type

When the operation mode is Cascade:



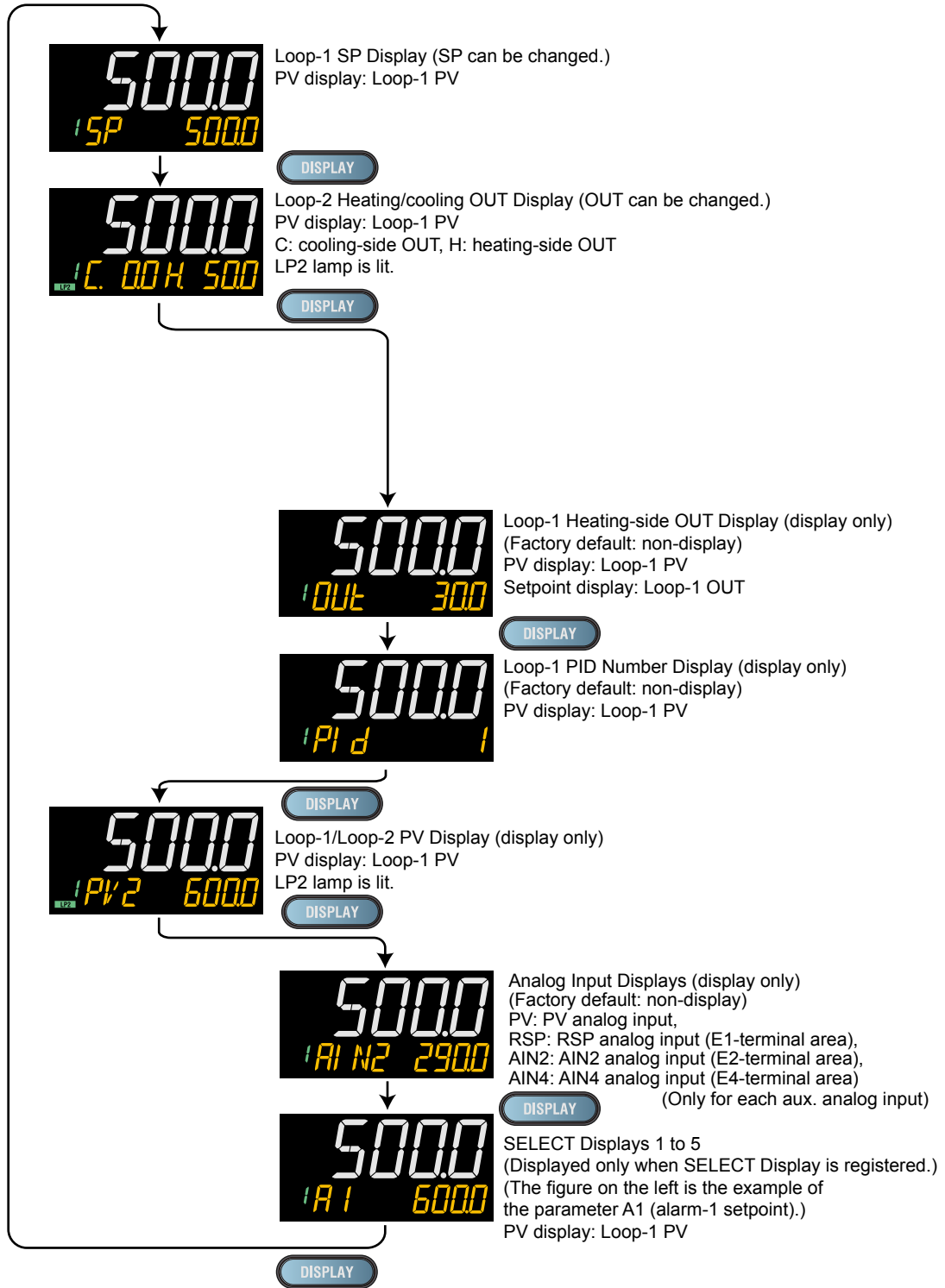
When the operation mode is AUTO or MAN:



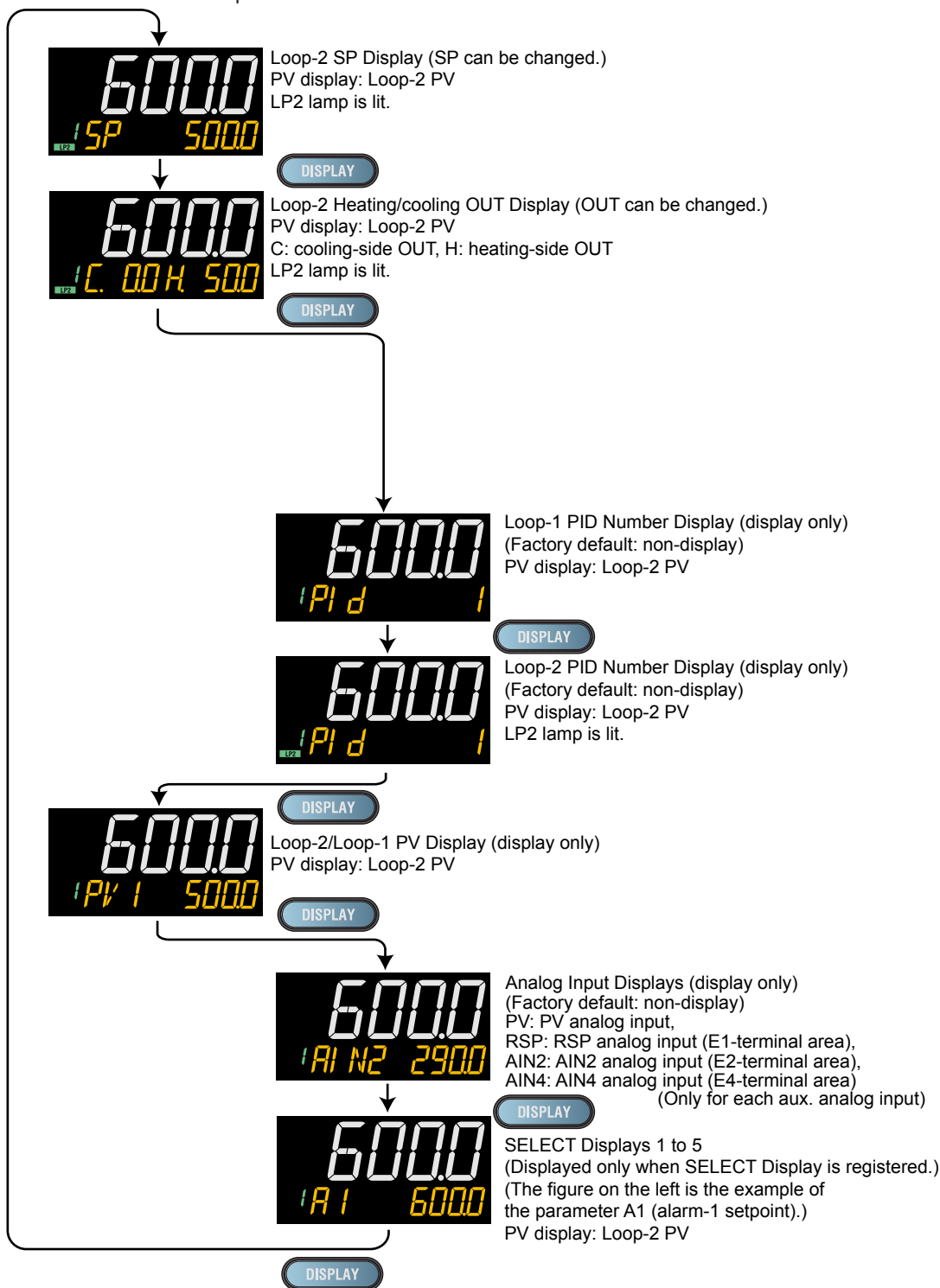
6.1 Monitoring and Control of Operation Displays

Heating/cooling Type

When the operation mode is Cascade:

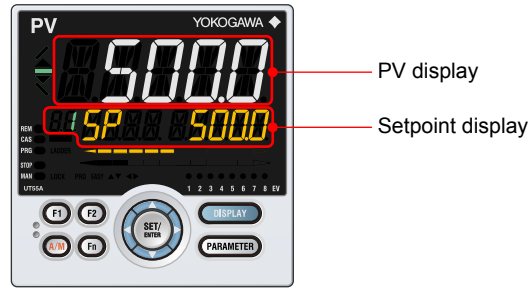





When the operation mode is AUTO or MAN:







Details of the Operation Display

The following is the Operation Display types and each display and operation description.





Operation Display	Display and operation description
<p>SP Display</p>	<p>PV display: Displays measured input value (PV). Setpoint display: Displays and changes target setpoint (SP).</p>  <p>The Display is switched to the SP Display if the operation mode is switched to AUTO, CAS, LCL, or REM when other Operation Display is shown.</p> <p>[SP Change Operation] (1) Press the SET/ENTER key to move to the setting mode (the setpoint blinks). (2) Use the Left or Right arrow key to move between digits (the setpoint blinks). (3) Use the UP or Down arrow key to change the value (the setpoint blinks). (4) Press the SET/ENTER key to register the setpoint. (the setpoint stops blinking). * Only Up or Down arrow key operation is also possible.</p> <p>When the operation mode is remote (REM lamp is lit):</p>  <p>When the control mode is Cascade secondary-loop control and the operation mode is cascade (CAS lamp is lit):</p>  <p>When the control mode is Cascade secondary-loop control and the operation mode is AUTO or MAN, the Loop-2 SP is displayed.</p>

(Continued)

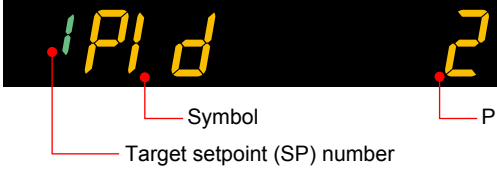
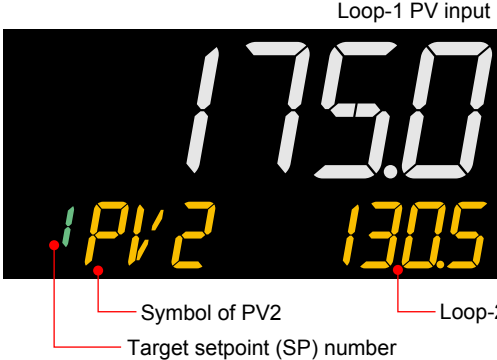
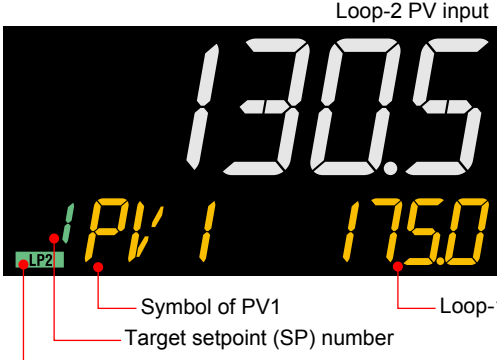
Operation Display	Display and operation description
<p>OUT Display (Valve Position Display)</p>	<p>PV display: Displays measured input value (PV). Setpoint display: Displays control output value and changes control output value in MAN mode.</p>  <p>Symbol Control output Target setpoint (SP) number</p>
	<p>Displays the valve's feedback input value (at 0 to 100% valve opening) in Position proportional control. The Display is switched to the OUT Display if the operation mode is switched to MAN when other Operation Display is shown. The Display is switched to the OUT Display while auto-tuning is performed.</p> <p>Sub-setting-side output in Two-position two-level control is displayed as below. Main setting-side output is displayed as above.</p>
	 <p>Symbol (sub-setting side) Control output Target setpoint (SP) number</p>
	<p>[OUT Change Operation] The control output value can be changed with the Up or Down arrow key in MAN mode (MAN lamp is lit). The control output value is changed by direct operation (without pressing the SET/ENTER key), and cannot be changed by moving between digits using the Left and Right arrow keys. In Position proportional control and in MAN mode, the valve opens as long as the Up arrow key is being pressed, and closes as long as the Down arrow key is being pressed. In Two-position two-level control, main setting-side output and sub-setting-side output can be manipulated individually.</p> <p>When in STOP mode (STOP lamp is lit):</p>  <p>Symbol Preset output Target setpoint (SP) number</p> <p>In Two-position two-level control (STOP lamp is lit):</p>  <p>Symbol Preset output Target setpoint (SP) number</p> <p>Preset output value is displayed in STOP mode. Preset output values cannot be changed by OUT change operation.</p>

6.1 Monitoring and Control of Operation Displays

(Continued)

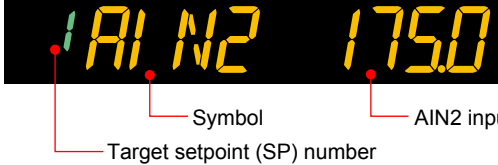
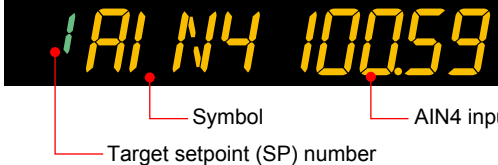
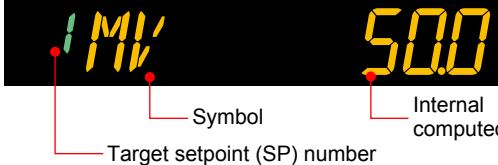
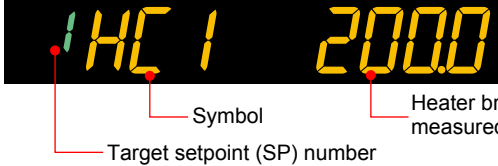
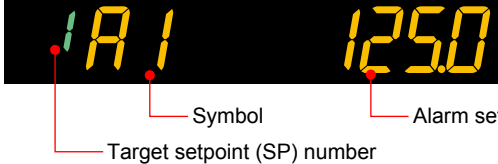
Operation Display	Display and operation description
<p>Heating/cooling OUT Display</p>	<p>PV display: Displays measured input value (PV). Setpoint display: Displays heating-side and cooling-side control output value and changes control output value in MAN mode.</p>  <p>Heating-side control output Symbol of heating side Cooling-side control output Symbol of cooling side Target setpoint (SP) number</p> <p>When the control output value is less than 100%, one digit is displayed to the right of the decimal point. When the control output value is equal to or more than 100%, no digits are displayed to the right of the decimal point. The display is switched to the Heating/cooling OUT Display if the operation mode is switched to MAN when other Operation Display is shown. An interruption is displayed while auto-tuning is performed.</p> <p>[OUT Change Operation] In MAN mode (MAN lamp is lit) pressing the Up arrow key causes the cooling-side output to decrease, and the heating-side output to increase. Pressing the Down arrow key causes the cooling-side output to increase, and the heating-side output to decrease. The control output value is changed by direct operation (without pressing the SET/ENTER key), and cannot be changed by moving between digits using the Left and Right arrow keys.</p> <p>When in STOP mode (STOP lamp is lit):</p>  <p>Heating-side preset output Symbol of STOP Cooling-side preset output Cooling-side symbol Target setpoint (SP) number</p> <p>Heating-side or cooling-side preset output value is displayed in STOP mode. Preset output values cannot be changed by OUT change operation. Loop-2 output value is always displayed in Cascade control.</p>

(Continued)

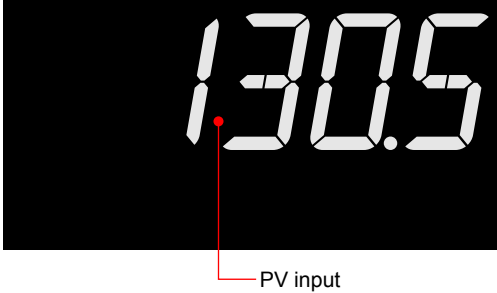
Operation Display	Display and operation description
<p>PID Number Display</p>	<p>PV display: Displays measured input value (PV). Setpoint display: Displays PID number currently being used.</p>  <p>Loop-1 PID number is displayed when the control mode is Cascade control and the operation mode is cascade. Loop-2 PID number is displayed when the control mode is Cascade control and the operation mode is AUTO or MAN.</p>
<p>PV1/PV2 Display</p>	<p>The following is the Display shown when the control mode is cascade. PV display and Setpoint display: Displays Loop-1 PV input and Loop-2 PV input.</p> <p>When the control mode is Cascade control and the operation mode is cascade (CAS lamp is lit):</p>  <p>When the control mode is Cascade control and the operation mode is AUTO or MAN:</p>  <p>LP2 lamp is lit (indicates the loop shown on PV display).</p>

6.1 Monitoring and Control of Operation Displays

(Continued)

Operation Display	Display and operation description
<p>Analog Input Display</p>	<p>PV display: Displays measured input value (PV). Setpoint display: Displays PV, RSP, AIN2, or AIN4 analog input value.</p> <p>AIN2 auxiliary analog input value</p>  <p>AIN4 auxiliary analog input value</p> 
<p>Position Proportional Computation Output Display</p>	<p>PV display: Displays measured input value (PV). Setpoint display: Displays position proportional computation output value (internal computed value).</p>  <p>Can be changed in MAN mode. The valve opens or closes so that the valve's feedback input value reaches the setpoint.</p>
<p>Heater Break Alarm Current Display</p>	<p>PV display: Displays measured input value (PV). Setpoint display: Displays measured heater current.</p> 
<p>SELECT Display</p>	<p>SELECT Display is for registering frequently-used parameters from Parameter Setting Display, and for displaying them on Operation Display so that the parameter settings can be easily changed in normal operation.</p> <p>PV display: Displays measured input value (PV). Setpoint display: Displays and changes the registered parameter.</p> <p>The following is the display example when the parameter A1 (alarm-1 setpoint) is registered.</p> 

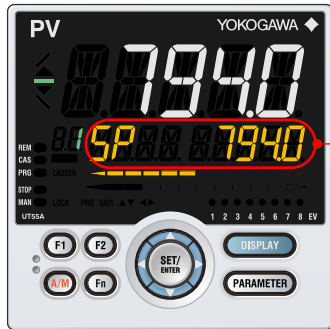
(Continued)

Operation Display	Display and operation description
PV only Display	<p data-bbox="746 286 1209 315">PV display: Displays measured input value (PV).</p>  <p data-bbox="1026 607 1114 636">PV input</p>

6.2 Setting Target Setpoint

Operation in the Operation Display

Operation



1. Bring the SP Display into view.



2. Press the SET/ENTER key to move to the setting mode (the setpoint blinks).



3. Press the Left arrow key to move one digit to the left. (Press the Right arrow key to move one digit to the right)



4. Press the Up or Down arrow key to change a setpoint. Press the Up arrow key when 9 is displayed to move one digit to the left. Press the Down arrow key when 0 is displayed to move one digit to the right.



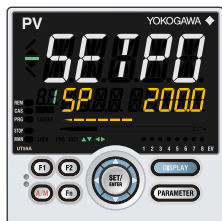
5. Press the SET/ENTER key to register the setpoint. Control with the new setpoint.

For models with the /MDL option, control using the LL50A Parameter Setting Software (sold separately) or through communication.

Operation in Parameter Setting Display

Setting Display

Parameter Setting Display Operation Display > **PARAMETER** or **PARA** key for **3 seconds** (to [MODE] Menu Display) > **Right arrow** key (to [SP] Menu Display) > **SET/ENTER** key (The setting parameter is displayed.)



Press the Right arrow key until the [SP] Menu Display appears.

In the Setting Display for the target setpoint parameter, pressing the Left or Right arrow keys changes the group. (The group number is displayed on Group display.)

For models with the /MDL option, control using the LL50A Parameter Setting Software (sold separately) or through communication.

Setting Details

Parameter symbol	Name	Display level	Setting range	Menu symbol
SP	Target setpoint	EASY	0.0 to 100.0% of PV input range (EU) (Setting range: SPL to SPH)	SP Ope
SPGR.	Number of SP groups	STD	1 to 8	CTL Set

Note1: In Cascade control, the LP2 lamp is lit while the Loop-2 parameter is displayed.

Note2: If the SP limiter is set, the setting can be made within the range of the SP limiter.

Description

The controller has eight target setpoints (SP).

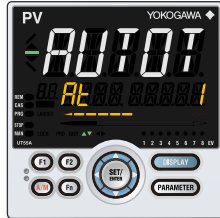
In Cascade control, both Loop1 and Loop 2 have eight target setpoints.

- ▶ [SP limiter: 9.1 Setting SP Limiter](#)
- ▶ [SELECT parameter: 13.1.5 Registering SELECT Parameter Display \(Up to 10 Displays\)](#)

6.3 Performing and Canceling Auto-tuning

Setting Display

Operation Mode Setting Display Operation Display > **PARAMETER** or **PARA** key for **3 seconds** (to [MODE] Menu Display) > **SET/ENTER** key (The operation mode is displayed.) > **Down arrow** key (The operation mode is displayed.)



The parameter AT is displayed when the operation mode is AUTO.

For models with the /MDL option, control using the LL50A Parameter Setting Software (sold separately) or through communication.

Setting Details

Parameter symbol	Name	Display level	Setting range	Menu symbol
AT	AUTO-tuning switch	EASY	OFF: Disable 1: Perform auto-tuning. Tuning result is stored in the PID of group 1. 2: Perform auto-tuning. Tuning result is stored in the PID of group 2. 3: Perform auto-tuning. Tuning result is stored in the PID of group 3. 4: Perform auto-tuning. Tuning result is stored in the PID of group 4. 5: Perform auto-tuning. Tuning result is stored in the PID of group 5. 6: Perform auto-tuning. Tuning result is stored in the PID of group 6. 7: Perform auto-tuning. Tuning result is stored in the PID of group 7. 8: Perform auto-tuning. Tuning result is stored in the PID of group 8. R: Tuning result is stored in the PID for reference deviation.	MODE Ope
AT.BS	SP bias in auto-tuning	PRO	-100.0 to 100.0% of PV input range span (EUS)	TUNE Ope

Note1: In Cascade control, the LP2 lamp is lit while the Loop-2 parameter is displayed.

CAUTION

Set the operation mode to AUTO and RUN to perform auto-tuning.

Lamp Status

Status	STOP lamp	CAS lamp	MAN lamp
During auto-tuning	Unlit	Unlit	Blinking

In Cascade control, perform Loop-2 auto-tuning in AUTO and RUN modes, then Loop-1 auto-tuning in Cascade and RUN modes.

Lamp Status

Status	STOP lamp	CAS lamp	MAN lamp
During auto-tuning of Loop-2	Unlit	Unlit	Blinking
During auto-tuning of Loop-1	Unlit	Lit	Blinking

Description

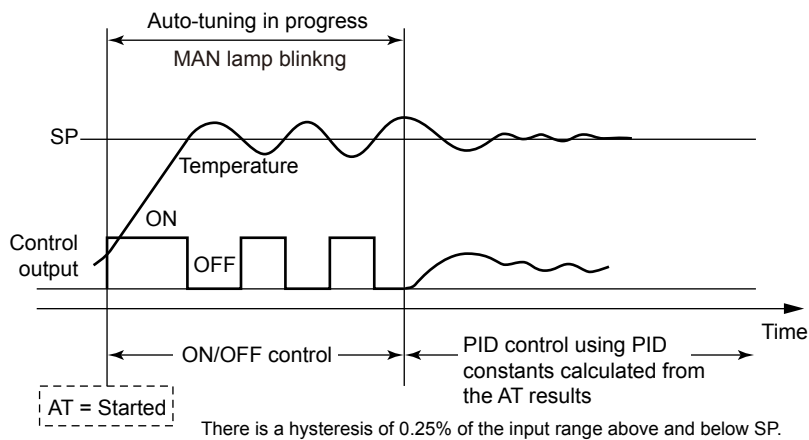
Auto-tuning is a function with which the controller automatically measures the process characteristics and sets PID constants, which are control-related parameters, to optimum values for the setpoint. Auto-tuning temporarily executes ON/OFF control, calculates appropriate PID constants from response data obtained, and sets these constants.

CAUTION

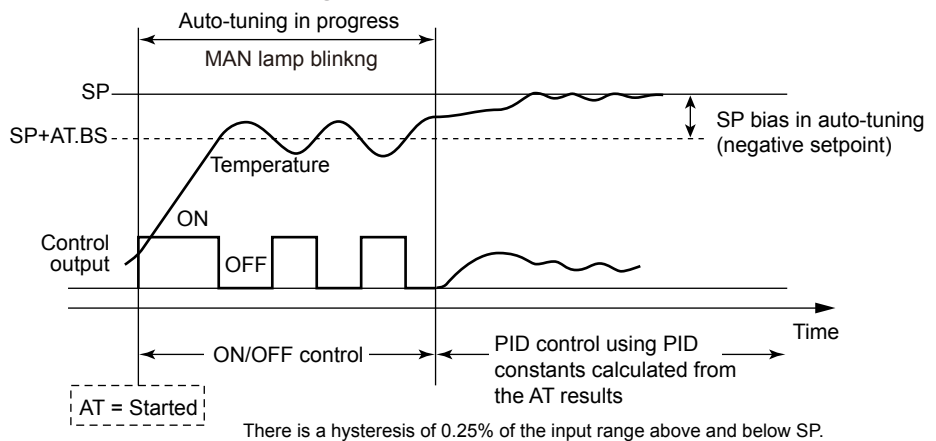
Do not perform auto-tuning for the following processes.

Tune PID manually.

- Processes with fast response such as flow rate control and pressure control.
- Processes which do not allow the output to be turned on and off even temporarily.
- Processes which prohibit output changes at control valves (or other actuators).
- Processes in which product quality can be adversely affected if PV values fluctuate beyond their allowable ranges.



When SP bias in auto-tuning is set



6.3 Performing and Canceling Auto-tuning

Tuning Point and Storage Location of Tuning Results

The tuning point when performing auto-tuning is the target setpoint that is currently used for control computation.

PID constants after the tuning are stored in the PID group that is specified when performing auto-tuning.

Operation mode	AT setpoint	Tuning point	Storage location
Local	1 to 8, R	Setpoint that is currently used	P, I, and D of the PID group specified in AT. In Heating/cooling control: P, I, D, Pc, Ic, and Dc
Remote	1 to 8, R	Remote setpoint	P, I, and D of the PID group specified in AT. In Heating/cooling control: P, I, D, Pc, Ic, and Dc

When the setpoint of AT is "R," the AT result is stored in the PID group for reference deviation.

When performing auto-tuning in AT setpoint "R", set the parameter ZON to other than 0 and 3, and set the parameter RDV to other than 0.

Auto-tuning cannot be performed when the control type (CNT) is as follows.

- ON/OFF control (1 point of hysteresis)
- ON/OFF control (2 points of hysteresis)
- Two-position two-level control
- Sample PI control

In addition, auto-tuning cannot be performed in the following cases (no error indication).

- Input error occurs. (Input burnout, ADC error, etc.)
- The operation mode is STOP.
- The operation mode is MAN.
- Output limiter setpoint at auto-tuning: $AT.OL \geq AT.OH$

Start and Stop of Auto-tuning

Start and stop of auto-tuning can be set by parameter setting, communication, or contact input.

Auto-tuning is stopped in the following cases.

- Switch to MAN
- Switch to STOP
- The parameter AT is set to OFF.
- Power failure
- Auto-tuning is not finished even after the time-out detection time is elapsed.

The time-out detection time is about 24 hours.

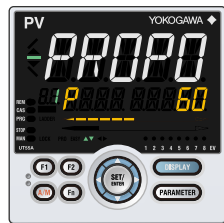
When the auto-tuning error occurs, the error code is shown in the Operation Display. Press any key to erase it.

- ▶ [Auto-tuning time output limiter: 8.9 Adjusting Auto-tuning Operation](#)

6.4 Adjusting PID Manually

Setting Display

Parameter Setting Display Operation Display > **PARAMETER** or **PARA** key for **3 seconds** (to [MODE] Menu Display) > **Right arrow** key (to [PID] Menu Display) > **SET/ENTER** key (The setting parameter is displayed.) > **Down arrow** key (The setting parameter is displayed.)



In the Setting Display for the PID parameters, Displays can be arbitrarily switched using the Up, Down, Left or Right arrow key. Pressing the Left or Right arrow key changes the group. (The group number is displayed on Group display.)

For models with the /MDL option, control using the LL50A Parameter Setting Software (sold separately) or through communication.

Setting Details

Parameter symbol	Name	Display level	Setting range	Menu symbol
P	Proportional band Heating-side proportional band (in Heating/cooling control)	EASY	0.0 to 999.9% When 0.0% is set, it operates as 0.1%. Heating-side ON/OFF control applies when 0.0% in Heating/ cooling control	PID Ope
I	Integral time Heating-side integral time (in Heating/cooling control)	EASY	OFF: Disable 1 to 6000 s	
D	Derivative time Heating-side derivative time (in Heating/cooling control)	EASY	OFF: Disable 1 to 6000 s	
Pc	Cooling-side proportional band	EASY	0.0 to 999.9% Cooling-side ON/OFF control applies when 0.0% in Heating/ cooling control	
Ic	Cooling-side integral time	EASY	OFF: Disable 1 to 6000 s	
Dc	Cooling-side derivative time	EASY	OFF: Disable 1 to 6000 s	
PIDN	PID number selection	EASY	1 to 8	SP Ope
PIDG.	Number of PID groups	STD	1 to 8	CTL Set

Note1: In Cascade control, the LP2 lamp is lit while the Loop-2 parameter is displayed.

Note

When changing the setpoint of the parameter PIDG., if the setpoint of the parameter PIDN which belongs to the SP menu is larger than that of the parameter PIDG., the PIDN setpoint is changed to the PIDG. setpoint.

6.4 Adjusting PID Manually

There are eight groups of PID parameters.
In Cascade control, both Loop 1 and Loop 2 have eight groups.

The PID parameters can be selected by using the following two methods:

(1) SP group number selection

The PID group which is set in the PID number selection (PIDN) of each SP group is used.

SP number (SPNO)	Target setpoint (SP)	Setting range of PID number selection (PIDN)
1	SP	1 to 8
2	SP	1 to 8
3	SP	1 to 8
4	SP	1 to 8
5	SP	1 to 8
6	SP	1 to 8
7	SP	1 to 8
8	SP	1 to 8

When the SP parameter is displayed, the SP number is shown on Group display.
When the PID parameters are displayed, the PID number is shown on Group display.

- ▶ Selection by keystroke: [6.6 Selecting Target Setpoint Number \(SPNO\)](#)
- ▶ Selection by contact input: [12.1 Setting Contact Input Function](#)

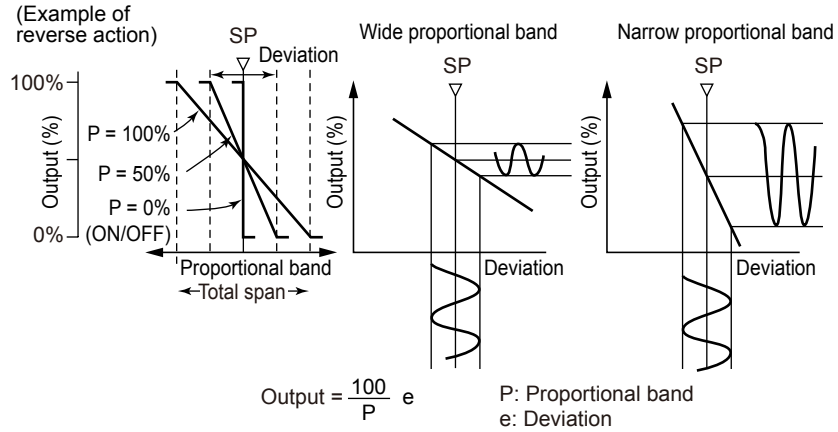
(2) Zone PID selection

- ▶ Selection by each Zone: [8.4 Switching PID](#)

Description

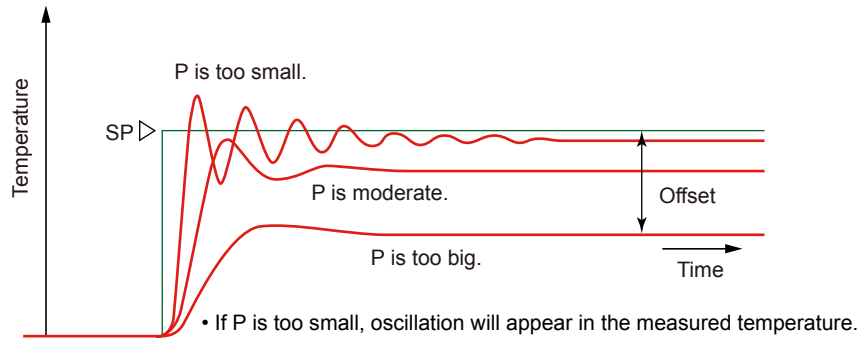
Description and Tuning of Proportional Band

The proportional band is defined as the amount of change in input (or deviation), as a percent of span, required to cause the control output to change from 0% to 100%. Because a narrower proportional band gives greater output change for any given deviation, it therefore also makes the control performance more susceptible to oscillation. At the same time, a narrower proportional band reduces the offset. Reducing the proportional band to its smallest limit (proportional band = 0%) results in ON/OFF control.



To fine-tune a proportional band obtained using auto-tuning, or to manually tune the proportional band:

- Work from larger to smaller numbers (wider to narrower).
- If cycling appears, that means that the proportional band is too narrow.
- Proportional band tuning cannot cancel an offset.



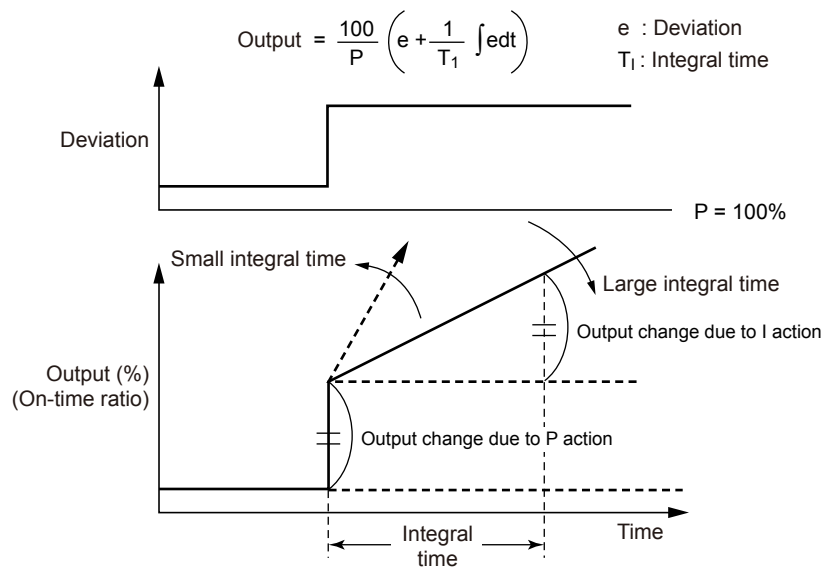
► [Offset: 10.8 Canceling Offset of PV and SP \(Manual Reset\)](#)

Description and Tuning of Integral Time

The integral action (I action) is a function that will automatically diminish the offset (steady-state deviation) that is inherently unavoidable with proportional action alone. The integral action continuously increases or decreases the output in proportion to the time integral of the deviation (the product of the deviation and the time that the deviation continues.)

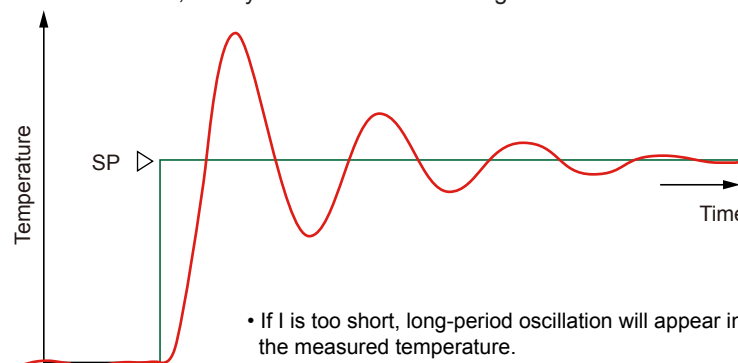
The integral action is normally used together with proportional action as proportional-plus-integral action (PI action).

The integral time (I) is defined as the time required to develop, when a stepwise change in deviation is imposed, an output change due to integral action that is exactly equal to the change due to proportional action. The longer the integral time set, the slower the change in output; the smaller the time, the faster the output changes.



To manually tune the integral time

- The main goal is to reduce the offset.
- Adjust from longer time to shorter time.
- If you see an oscillation at a longer period than that seen when the proportional band is too narrow, then you have made the integral time too short.



Use the manual reset (MR) to cancel an offset when the integral action is disabled.

- ▶ [Manual reset: 10.8 Canceling Offset of PV and SP \(Manual Reset\)](#)

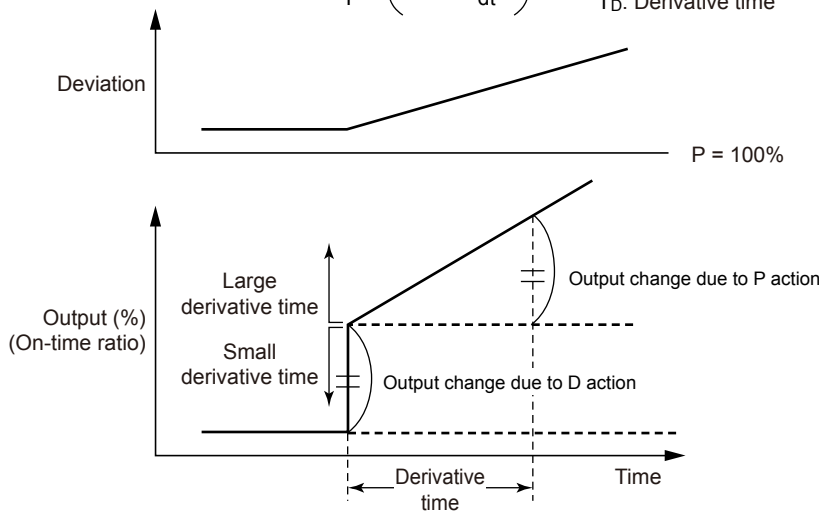
Description and Tuning of Derivative Time

If the control object has a large time constant or dead time, the corrective action will be too slow with proportional action or proportional-plus-integral action alone, causing overshoot. However, even just sensing whether the deviation is on an increasing or a decreasing trend and adding some early corrective action can improve the controllability. Thus the derivative action (D action) is action that changes the output in proportion to the deviation derivative value (rate-of-change).

The derivative time is defined as the time required with PD action to develop, when a constant-slope change in deviation is imposed, an output change due to derivative action that is exactly equal to the change due to proportional action.

$$\text{Output} = \frac{100}{P} \left(e + T_D \frac{d}{dt} e \right)$$

e : Deviation
T_D: Derivative time

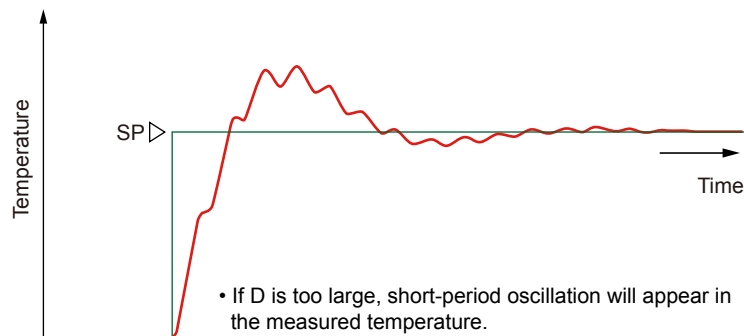


To manually tune the derivative time

- Adjust from shorter time to longer time.
- If you see a short-period oscillation, the time is too long.

The longer the derivative time set, the stronger the corrective action, and the more likely the output will become oscillatory. Oscillations due to derivative action are characterized by a short period.

D = OFF should always be used when controlling fast-responding inputs such as pressure and flow rate, or inputs characterized by rapid fluctuation, such as optical sensors.



Manual PID Tuning Procedure

- (1) In principle, auto-tuning must be used.
- (2) Tune PID parameters in the order of P, I, and D. Adjust a numeric slowly by observing the result, and keep notes of what the progress is.
- (3) Gradually reduce P from a larger value. When the PV value begins to oscillate, stop tuning and increase the value somewhat.
- (4) Also gradually reduce I from a larger value. When the PV value begins to oscillate (with long period), stop tuning and increase the value somewhat.
- (5) Gradually increase D from a smaller value. When the PV value begins to oscillate (with short period), stop tuning and lower the value slightly.

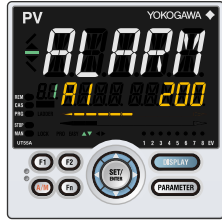
Reference Values for Manual Tuning of Temperature, Pressure, and Flow Rate

		Setting range (reference)	Initial value for tuning (reference)
Pressure	P	100 to 300%	200%
	I	5 to 30 s	15 s
	D	OFF	OFF
Flow rate	P	100 to 240%	150%
	I	8 to 30 s	20 s
	D	OFF	OFF
Temperature (electric furnace)	P	1 to 20%	5%
	I	180 to 600 s	240 s
	D	1/4 to 1/6 of I	60 s

6.5 Setting Alarm Setpoint

Setting Display

Parameter Setting Display Operation Display > **PARAMETER** or **PARA** key for **3 seconds** (to [MODE] Menu Display) > **Right arrow** key (to [SP] Menu Display) > **SET/ENTER** key (The setting parameter is displayed.) > **Down arrow** key (The setting parameter is displayed.)



In the setting Display for the alarm parameters, Displays can be arbitrarily switched using the Up, Down, Left or Right arrow key. Pressing the Left or Right arrow key changes the group. (The group number is displayed on Group display.)

For models with the /MDL option, control using the LL50A Parameter Setting Software (sold separately) or through communication.

Setting Details

Parameter symbol	Name	Display level	Setting range	Menu symbol
A1 to A8	Alarm-1 to -8 setpoint	EASY	Set a display value of setpoint of PV alarm, SP alarm, deviation alarm, output alarm, or velocity alarm. -19999 to 30000 (Set a value within the input range.) Decimal point position depends on the input type	SP Ope
ALNO.	Number of alarms	PRO	1 to 8	CTL Set

Note:1 When the alarm setpoint parameter is displayed, the group number is shown on Group display.

Note2: The initial value of the parameter ALNO. is "4." Four alarm setpoint parameters are displayed for each SP group.

Note3: In Cascade control, the LP2 lamp is lit while the Loop-2 parameter is displayed.

Description

Each alarm type has eight alarm setpoints.

In Cascade control, each alarm type has eight setpoints for Loop 1 and Loop 2, respectively.

Specifying the SP number (SPNO) determines the alarm setpoint to be used.

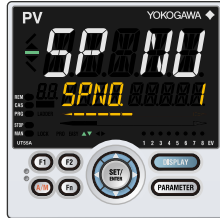
Alarm-related parameter	Number of settings
Alarm type	8 (number of settings) x 2 (number of loops)
PV velocity alarm time setpoint	8 (number of settings) x 2 (number of loops)
Alarm hysteresis	8 (number of settings) x 2 (number of loops)
Alarm delay timer	8 (number of settings) x 2 (number of loops)
Alarm setpoint	8 (number of settings) x 2 (number of loops) x 8 (number of groups)

▶ Alarm type: Chapter 11 Alarm Functions

6.6 Selecting Target Setpoint Number (SPNO)

Setting Display

Parameter Setting Display Operation Display > **PARAMETER** or **PARA** key for **3 seconds** (to [MODE] Menu Display) > **SET/ENTER** key (The setting parameter is displayed.) > **Down arrow** key (The setting parameter is displayed.)



For models with the /MDL option, control using the LL50A Parameter Setting Software (sold separately) or through communication.

Setting Details

Parameter symbol	Name	Display level	Setting range	Menu symbol
SPNO.	SP number selection	EASY	1 to 8 (Depends on the setup parameter SPGR. setting.)	MODE Ope
SPGR.	Number of SP groups	STD	1 to 8	CTL Set

Note1: In Cascade control, the LP2 lamp is lit while the Loop-2 parameter is displayed.

Description

The SP number (SPNO) selection can be used when the parameter ZON (zone PID selection) is set to “SP group number selection.”

SP Group Number Selection

The PID group which is set in the PID number selection (PIDN) of each SP group is used.

SP number (SPNO)	Target setpoint (SP)	Setting range of PID number selection (PIDN)
1	SP	1 to 8
2	SP	1 to 8
3	SP	1 to 8
4	SP	1 to 8
5	SP	1 to 8
6	SP	1 to 8
7	SP	1 to 8
8	SP	1 to 8

When the SP parameter is displayed, the SP number is shown on Group display.

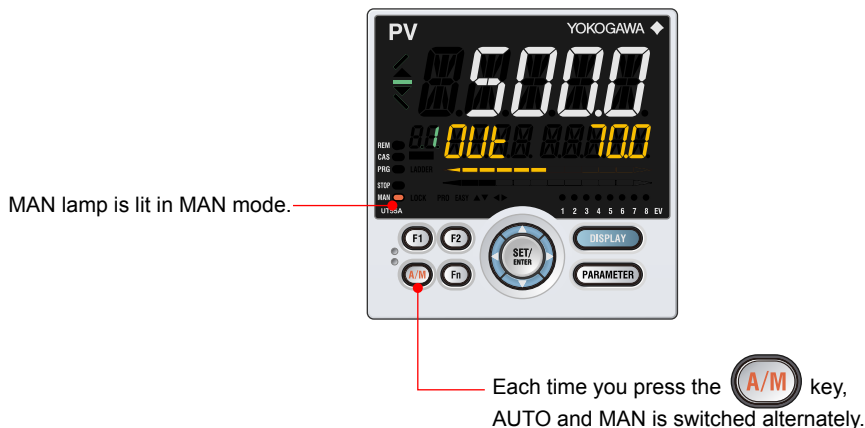
▶ Selection by contact input: [12.1 Setting Contact Input Function](#)

6.7 Switching Operation Modes

6.7.1 Switching between AUTO and MAN

Direct Operation by A/M Key

Operation

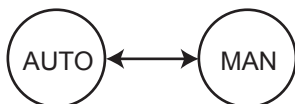


For models with the /MDL option, control using the LL50A Parameter Setting Software (sold separately) or through communication.

Description

AUTO/MAN switching can be performed by any of the following:

- (1) A/M key
- (2) Contact input (status or edge)
- (3) Communication
- (4) User function key



When the contact input (status) is ON, operation cannot be performed by keystroke or communication.

When the contact input is OFF, and the setting is switched by keystroke or communication, the last switching operation is performed.

- ▶ [Switch by contact input: 12.1 Setting Contact Input Function](#)
- ▶ [Switch by user function key: 13.2 Assigning Function to User Function Key and A/M key](#)

Switch	Output action
AUTO→MAN	Holds the control output value from AUTO mode. The control output value can be bump to the manual preset output value by the setting of parameter MPO. The output value can be changed in manual mode.
MAN→AUTO	The control output value does not bump (bumpless). Does not work when Integral time (I) = OFF.

- ▶ [Switch from AUTO to MAN, and MPON: 10.12.2 Setting Output Value When Switched to MAN Mode \(Manual Preset Output\)](#)

6.7 Switching Operation Modes

Operation Display in AUTO and MAN Modes

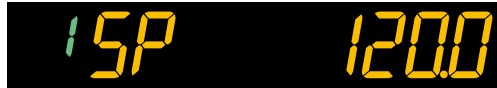
“OUT” is displayed on Symbol display and “Output value” is displayed on Data display in MAN mode. (The OUT Display is shown.)



Sub-setting-side OUT Display is shown in Two-position two-level control.



SP Display is shown in AUTO mode.



Operation Display in AUTO and MAN Modes in Heating/cooling Control

In MAN mode, the Display is as follows. Symbol “C” represents the cooling side and “H” represents the heating side. The value on the right of each symbol is the output value.



Lamp Status

Status	MAN lamp
Automatic operation (AUTO)	Unlit
Manual operation (MAN)	Lit

6.7.2 Switching between CAS (Cascade), AUTO, and MAN

Setting Display

Operation Mode Setting Display



Operation Display > **PARAMETER** or **PARA** key for **3 seconds** (to [MODE] Menu Display) > **SET/ENTER** key (The operation mode is displayed.) > **Down arrow** key (The operation mode is displayed.)

For models with the /MDL option, control using the LL50A Parameter Setting Software (sold separately) or through communication.

Setting Details

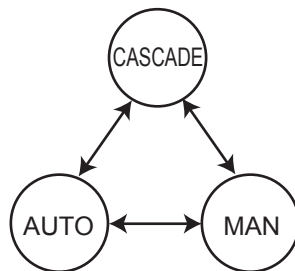
Parameter symbol	Name	Display level	Setting range	Menu symbol
C.A.M	CAS/AUTO/MAN switch	EASY	CAS: Cascade mode AUTO: Automatic mode MAN: Manual mode	MODE Ope

Description

CAS (Cascade), AUTO, and MAN can be switched when the control mode is Cascade secondary-loop control or Cascade control.

CAS/AUTO/MAN switching can be performed by any of the following.

- (1) A/M key (MAN → AUTO →CAS →MAN ...)
- (2) Parameter
- (3) Contact input
- (4) Communication
- (5) User function key



For the switching operation by using the above, the last switching operation is performed. Operation by user function key is different. See the descriptions in the following.

- ▶ A/M key function: [13.2 Assigning Function to User Function Key and A/M key](#)
- ▶ Switch by contact input: [12.1 Setting Contact Input Function](#)
- ▶ Switch by user function key: [13.2 Assigning Function to User Function Key and A/M key](#)

6.7 Switching Operation Modes

Output Action in CAS/AUTO/MAN Switch

Switch	Output action
CAS→AUTO	The control output value does not bump (bumpless).
CAS→MAN	The control output value bumps to the manual preset output value. Or holds the control output value from CAS mode.
AUTO→CAS	The control output value does not bump (bumpless).
AUTO→MAN	The control output value bumps to the manual preset output value. Or holds the control output from AUTO mode.
MAN→AUTO	The control output value does not bump (bumpless).
MAN→CAS	The control output value does not bump (bumpless).

- ▶ Switch from AUTO to MAN: [10.12.2 Setting Output Value When Switched to MAN Mode \(Manual Preset Output\)](#)

Secondary-side SP in CAS/AUTO/MAN Switch

Switch	Secondary SP after switching
CAS→AUTO	Sets the target setpoint specified in SP number selection (SPNO.).
CAS→MAN	
AUTO→CAS	Sets the primary-side control output value as target setpoint.
AUTO→MAN	Sets the target setpoint specified in SP number selection (SPNO.).
MAN→AUTO	
MAN→CAS	Sets the primary-side control output as target setpoint.

Output specification after switching from CAS or AUTO to MAN

The control output can be manipulated by keystroke or via communication in MAN mode.

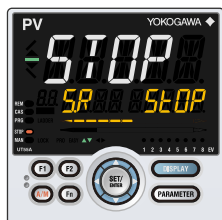
Lamp Status

Status	MAN lamp	CAS lamp
Cascade (CAS)	Unlit	Lit
Automatic operation (AUTO)	Unlit	Unlit
Manual operation (MAN)	Lit	Unlit

6.7.3 Switching between STOP and RUN

Setting Display

Operation Mode Setting Display



Operation Display > **PARAMETER** or **PARA** key for **3 seconds** (to [MODE] Menu Display) > **SET/ENTER** key (The operation mode is displayed.) > **Down arrow** key (The operation mode is displayed.)

Factory default: The parameter S.R is not displayed because STOP/RUN switch is assigned to the contact input. To display the parameter, disable the STOP/RUN switch assigned to the contact input.

▶ [Switch by contact input: 12.1 Setting Contact Input Function](#)

For models with the /MDL option, control using the LL50A Parameter Setting Software (sold separately) or through communication.

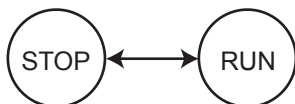
Setting Details

Parameter symbol	Name	Display level	Setting range	Menu symbol
S.R	STOP/RUN switch	EASY	STOP: Stop mode RUN: Run mode	MODE

Description

STOP/RUN switching can be performed by any of the following:

- (1) Contact input (status or edge)
- (2) Parameter
- (3) Communication
- (4) User function key



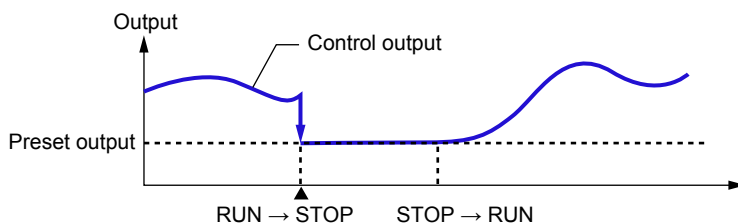
When the STOP/RUN switch is set to the contact input (S/R≠0), switch by keystroke or via communication is disabled. Disable the setting if the STOP/RUN switch parameter (S/R) is assigned to the contact input.

When the contact input is OFF, and the setting is switched by parameter, communication, or keystroke, the last switching operation is performed.

▶ [Switch by contact input: 12.1 Setting Contact Input Function](#)

▶ [Switch by user function key: 13.2 Assigning Function to User Function Key and A/M key](#)

Switch	Output action
RUN→STOP	The control output bumps.
STOP→RUN	The control output does not bump (bumpless).



▶ [Preset output value: 10.12.1 Setting Output Value in STOP Mode \(Preset Output\)](#)

6.7 Switching Operation Modes

Operation Display in STOP and RUN Modes

“STOP” is displayed on Symbol display and “Output value” is displayed on Data display in STOP mode. Preset output value is displayed.



In Two-position two-level control



The display at operation start differs depending on AUTO or MAN mode. SP Display is shown in AUTO mode and OUT Display is shown in MAN mode.

SP Display



OUT Display



Sub-setting-side OUT Display in Two-position two-level control.



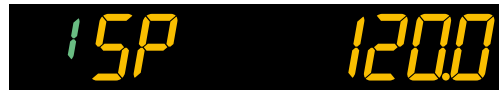
Operation Display in STOP and RUN Modes in Heating/cooling Control

In STOP mode in Heating/cooling control, the display is as follows. The cooling-side preset output is displayed on the left of the symbol “ST” and heating-side preset output is displayed on the right.



The display at operation start differs depending on AUTO or MAN mode. SP Display is shown in AUTO mode and Heat/cool OUT Display is shown in MAN mode.

SP Display



Heat/cool OUT Display

Symbol “C” represents the cooling side and “H” represents the heating side.



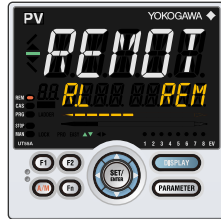
Lamp Status

Status	STOP lamp
Operation start (RUN)	Unlit
Operation Stop (STOP)	Lit

6.7.4 Switching between REM (Remote) and LCL (Local)

Setting Display

Operation Mode Setting Display Operation Display > **PARAMETER** or **PARA** key for **3 seconds** (to [MODE] Menu Display) > **SET/ENTER** key (The operation mode is displayed.) > **Down arrow** key (The operation mode is displayed.)



For models with the /MDL option, control using the LL50A Parameter Setting Software (sold separately) or through communication.

Setting Details

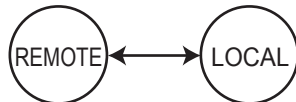
Parameter symbol	Name	Display level	Setting range	Menu symbol
R.L	REMOTE/LOCAL switch	EASY	LCL: Local mode REM: Remote mode	MODE Ope

Note1: In Cascade control, the LP2 lamp is lit while the Loop-2 parameter is displayed.

Description

REMOTE/LOCAL switching can be performed by any of the following:

- (1) Contact input (status or edge)
- (2) Parameter
- (3) Communication
- (4) User function key



When the contact input (status) is ON, operation cannot be performed by parameter, communication, or keystroke.

When the contact input is OFF, and the setting is switched by parameter, communication, or keystroke, the last switching operation is performed.

The last switching operation is performed for all methods, when the action of contact input is detected as rising edge.

- ▶ [Switch by contact input: 12.1 Setting Contact Input Function](#)
- ▶ [Switch by user function key: 13.2 Assigning Function to User Function Key and A/M key](#)

The PID group before switching from LOCAL to REMOTE is applied to the PID in remote operation.

6.7 Switching Operation Modes

SP Action in REM/LCL Switch

Switch	SP action
LCL→REM	The local target setpoint bumps to the remote target setpoint.
REM→LCL	The remote target setpoint bumps to the local target setpoint. Or forces the local target setpoint to track the remote target setpoint.

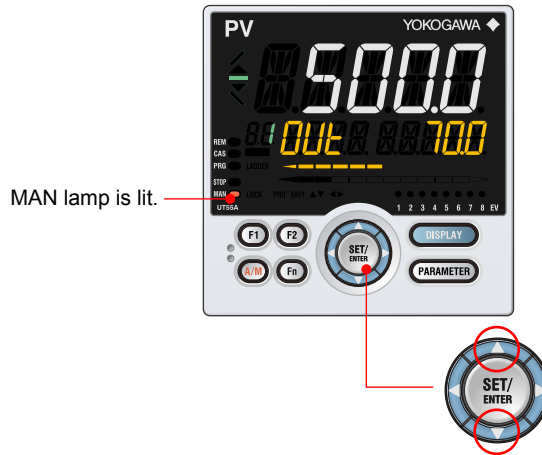
► [Tracking: 9.4 Forcing SP to Track Remote Input \(SP Tracking\)](#)

Lamp Status

Status	REM lamp
Local (LCL)	Unlit
Remote (REM)	Lit

6.8 Manipulating Control Output during Manual Operation

Operation



Direct key method

The value specified by the Up and Down arrow keys is output as is.

Press the Up arrow key to increase the control output.

Press the Down arrow key to decrease the control output.

SET/ENT key method

Set the control output on the setting display and press the SET/ENT key to confirm the value to output it.

In Heating/cooling control,

press the Up arrow key to decrease cooling-side control output and to increase heating-side control output; press the Down arrow key to increase cooling-side control output and to decrease heating-side control output.

For models with the /MDL option, control using the LL50A Parameter Setting Software (sold separately) or through communication.

Description

In manual operation mode, you can use the direct key method or the SET/ENT key method to control the output value.

Manipulation of the control output is not possible in STOP mode (the STOP lamp is lit). Output manipulation differs depending on the ON or OFF setting of the control output limiter (OH, OL).

▶ [10.4 Disabling Output Limiter in MAN mode](#)

OUT Display



Feedback input value is displayed in Position proportional control.

Sub-setting-side OUT Display in Two-position two-level control.

In Two-position two-level control, main setting-side output can be manipulated individually. Control output limiter is disabled as well as a case of ON/OFF control.



Heating/cooling OUT Display

The heating/cooling control output is manipulated simultaneously on both the heating and cooling sides.

In MAN mode, the display is as follows. The symbol "C" represents the cooling side, and "H" the heating side. The value on the right of each symbol is the output value.




When the control output low limit is set to "SD" while the control output type is 4 to 20 mA, the control output value can be lowered down to 0 mA.

▶ [10.6 Reducing 4-20 mA Current Output to 0 mA \(Tight Shut Function\)](#)

6.8 Manipulating Control Output during Manual Operation

Setting Details

Parameter symbol	Name	Display level	Setting range	Menu symbol
MAN.T	Manual output operation type	PRO	<p>In manual operation mode, you can use the direct key method or the SET/ENT key method to control the output value. (Note)</p> <p>DT.ET: Direct key method The value specified by the Up and Down arrow keys is output as is.</p> <p>ST.ET: SET/ENT key method Set the control output on the setting display and press the SET/ENT key to confirm the value to output it.</p>	OUT 

Note: When the control type (CNT) is set to ON/OFF control, two-position two-level control or heating/cooling control, only the DT.ET setting can be used. On the position proportional type, parameter MAN.T does not appear.

6.9 Releasing On-State (Latch) of Alarm Output

Description

Alarm latch can be released by any of the following.

- (1) User function key
- (2) Communication
- (3) Contact input

For the switching operation by using the above, the last switching operation is performed.

Releasing the alarm latch function releases all of the latched alarm outputs.

By factory default, the function is not assigned to the user function key and contact input.

Assign and use the function in accordance with the reference sections below.

- ▶ [Release by user function key: 13.2 Assigning Function to User Function Key and A/M key](#)
- ▶ [Release by contact input: 12.1 Setting Contact Input Function](#)
- ▶ [Release via communication: UTAdvanced Series Communication Interface User's Manual](#)

7.1 Setting Functions of PV Input, Remote Input, and Auxiliary Analog Input

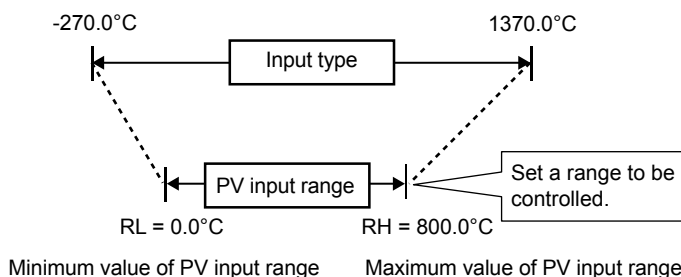
7.1.1 Setting Input Type, Unit, Range, Scale, and Decimal Point Position

Description

The figure below describes the case of PV input. The remote input and auxiliary analog input can be set in the same way.

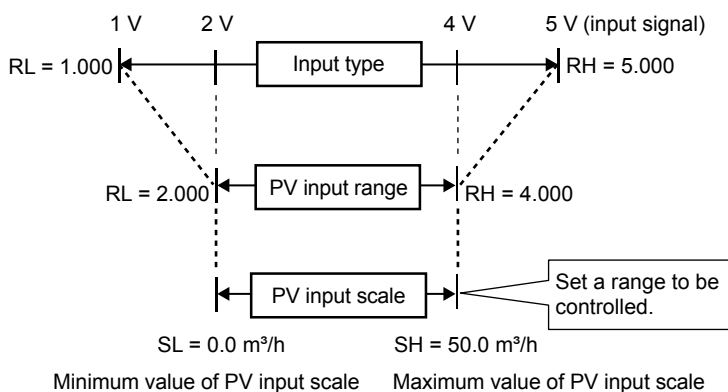
Example of Temperature Input

The figure below is an example of setting Type K thermocouple and a measurement range of 0.0 to 800.0 °C.



Example of Voltage and Current Inputs

The figure below is an example of setting 2-4 V DC and a scale of 0.0 to 50.0 m³/h.



When using 1-5 V DC signal as is, set RH = 5.000 V, RL = 1.000 V, SDP=1, and SH = 50.0, and SL=0.0.

7.1 Setting Functions of PV Input, Remote Input, and Auxiliary Analog Input

Setting Details

Parameter symbol	Name	Display level	Setting range	Menu symbol
IN	PV input type	EASY	OFF: Disable K1: -270.0 to 1370.0 °C / -450.0 to 2500.0 °F K2: -270.0 to 1000.0 °C / -450.0 to 2300.0 °F K3: -200.0 to 500.0 °C / -200.0 to 1000.0 °F J: -200.0 to 1200.0 °C / -300.0 to 2300.0 °F T1: -270.0 to 400.0 °C / -450.0 to 750.0 °F T2: 0.0 to 400.0 °C / -200.0 to 750.0 °F B: 0.0 to 1800.0 °C / 32 to 3300 °F S: 0.0 to 1700.0 °C / 32 to 3100 °F R: 0.0 to 1700.0 °C / 32 to 3100 °F N: -200.0 to 1300.0 °C / -300.0 to 2400.0 °F E: -270.0 to 1000.0 °C / -450.0 to 1800.0 °F L: -200.0 to 900.0 °C / -300.0 to 1600.0 °F U1: -200.0 to 400.0 °C / -300.0 to 750.0 °F U2: 0.0 to 400.0 °C / -200.0 to 1000.0 °F W: 0.0 to 2300.0 °C / 32 to 4200 °F (Note1) PL2: 0.0 to 1390.0 °C / 32.0 to 2500.0 °F P2040: 0.0 to 1900.0 °C / 32 to 3400 °F WRE: 0.0 to 2000.0 °C / 32 to 3600 °F JPT1: -200.0 to 500.0 °C / -300.0 to 1000.0 °F JPT2: -150.0 to 150.0 °C / -200.0 to 300.0 °F PT1: -200.0 to 850.0 °C / -300.0 to 1560.0 °F PT2: -200.0 to 500.0 °C / -300.0 to 1000.0 °F PT3: -150.0 to 150.0 °C / -200.0 to 300.0 °F 0.4-2V: 0.400 to 2.000 V 1-5V: 1.000 to 5.000 V 4-20: 4.00 to 20.00 mA 0-2V: 0.000 to 2.000 V 0-10V: 0.00 to 10.00 V 0-20 : 0.00 to 20.00 mA -1020: -10.00 to 20.00 mV 0-100: 0.0 to 100.0 mV	PV Set
	RSP remote input type (Note2)	EASY	0.4-2V: 0.400 to 2.000 V	RSP Set
	AIN2 aux. analog input type	EASY	1-5V: 1.000 to 5.000 V 0-2V: 0.000 to 2.000 V	AIN2 Set
	AIN4 aux. analog input type	EASY	0-10V: 0.00 to 10.00 V 0-125: 0.000 to 1.250 V	AIN4 Set
UNIT	PV input unit	EASY	-: No unit	PV Set
	RSP remote input unit	EASY	C: Degree Celsius	RSP Set
	AIN2 aux. analog input unit	EASY	-: No unit --: No unit	AIN2 Set
	AIN4 aux. analog input unit	EASY	---: No unit F: Degree Fahrenheit	AIN4 Set

Note1: W: W-5% Re/W-26% Re(Hoskins Mfg. Co.). ASTM E988
WRE: W97Re3-W75Re25

Note2: For remote input with the optional suffix code /DR, RSP remote input type is same as PV input type.

7.1 Setting Functions of PV Input, Remote Input, and Auxiliary Analog Input

(Continued)

Parameter symbol	Name	Display level	Setting range	Menu symbol
RH (Physical quantity)	Maximum value of PV input range	EASY	Depends on the input type. - For temperature input - Set the temperature range that is actually controlled. (RL<RH) - For voltage / current input - Set the range of a voltage / current signal that is applied. The scale across which the voltage / current signal is actually controlled should be set using the maximum value of input scale (SH) and minimum value of input scale (SL). (Input is always 0% when RL = RH.)	PV Set
	Maximum value of RSP remote input range	EASY		RSP Set
	Maximum value of AIN2 aux. analog input range	EASY		AIN2 Set
	Maximum value of AIN4 aux. analog input range	EASY		AIN4 Set
RL (Physical quantity)	Minimum value of PV input range	EASY	Same as RH	PV Set
	Minimum value of RSP remote input range	EASY		RSP Set
	Minimum value of AIN2 aux. analog input range	EASY		AIN2 Set
	Minimum value of AIN4 aux. analog input range	EASY		AIN4 Set
SDP (Scaling)	PV input scale decimal point position	EASY	0: No decimal place 1: One decimal place 2: Two decimal places 3: Three decimal places 4: Four decimal places	PV Set
	RSP remote input scale decimal point position	EASY		RSP Set
	AIN2 aux. analog input scale decimal point position	EASY		AIN2 Set
	AIN4 aux. analog input scale decimal point position	EASY		AIN4 Set
SH (Scaling)	Maximum value of PV input scale	EASY	-19999 to 30000, (SL<SH), SH - SL ≤ 30000	PV Set
	Maximum value of RSP remote input scale	EASY		RSP Set
	Maximum value of AIN2 aux. analog input scale	EASY		AIN2 Set
	Maximum value of AIN4 aux. analog input scale	EASY		AIN4 Set

7.1 Setting Functions of PV Input, Remote Input, and Auxiliary Analog Input

Parameter symbol	Name	Display level	Setting range	Menu symbol
SL (Scaling)	Minimum value of PV input scale	EASY	-19999 to 30000, (SL<SH), SH - SL ≤ 30000	PV Set
	Minimum value of RSP remote input range	EASY		RSP Set
	Minimum value of AIN2 aux. analog input scale	EASY		AIN2 Set
	Minimum value of AIN4 aux. analog input scale	EASY		AIN4 Set

Note 1: For remote input with the optional suffix code /DR, setting range for RSP remote input type is same as that for PV input type.

Note 2: When each parameter is displayed, the terminal area (E1 to E4) is displayed on Group display according to the suffix code and optional suffix code.

IN, UNIT, RH, and RL described above are the parameters to be used for processing before the input ladder calculation program.

The following parameters are used for processing after the input ladder calculation program.

Parameter symbol	Name	Display level	Setting range	Menu symbol
P.UNI	Control PV input unit	STD	-: No unit C: Degree Celsius - -: No unit - - -: No unit F: Degree Fahrenheit	MPV Set
P.DP	Control PV input decimal point position		0: No decimal place 1: One decimal place 2: Two decimal places 3: Three decimal places 4: Four decimal places	
P.RH	Maximum value of control PV input range		-19999 to 30000, (P.RL<P.RH), P.RH - P.RL ≤ 30000	
P.RL	Minimum value of control PV input range			

Note1: In Cascade control, the LP2 lamp is lit while the Loop-2 parameter is displayed.

For models with the /MDL option, configure using the LL50A Parameter Setting Software (sold separately) or through communication.

7.1.2 Setting Burnout Detection for Input

Description

The input value when input burnout occurs can be determined.

The input value is 105.0% of the input range when the upscale is set, and -5.0% of the input range when the downscale is set.

Burnout detection is activated for TC, RTD, and standard signal (0.4–2 V or 1–5 V).

For standard signal, burnout is determined to have occurred if it is 0.1 V or less for the range of 0.4–2 V and 1–5V, or if it is 0.4 mA or less for the range of 4–20 mA.

When input burnout occurs, the error preset output (EPO) is output as control output.

- ▶ [Input error preset output: 10.12.3 Setting Output Value When Error Occurs \(Input Error Preset Output\)](#)

Setting Details

Parameter symbol	Name	Display level	Setting range	Menu symbol
BSL	PV input burnout action	STD	OFF: Disable UP: Upscale DOWN: Downscale	PV Set
	RSP remote input burnout action	STD		RSP Set
	AIN2 aux. analog input burnout action	STD		AIN2 Set
	AIN4 aux. analog input burnout action	STD		AIN4 Set

Note 1: When each parameter is displayed, the terminal area (E1 to E4) is displayed on Group display according to the suffix code and optional suffix code.

For models with the /MDL option, configure using the LL50A Parameter Setting Software (sold separately) or through communication.

7.1.3 Setting Reference Junction Compensation (RJC) or External Reference Junction Compensation (ERJC)

Description

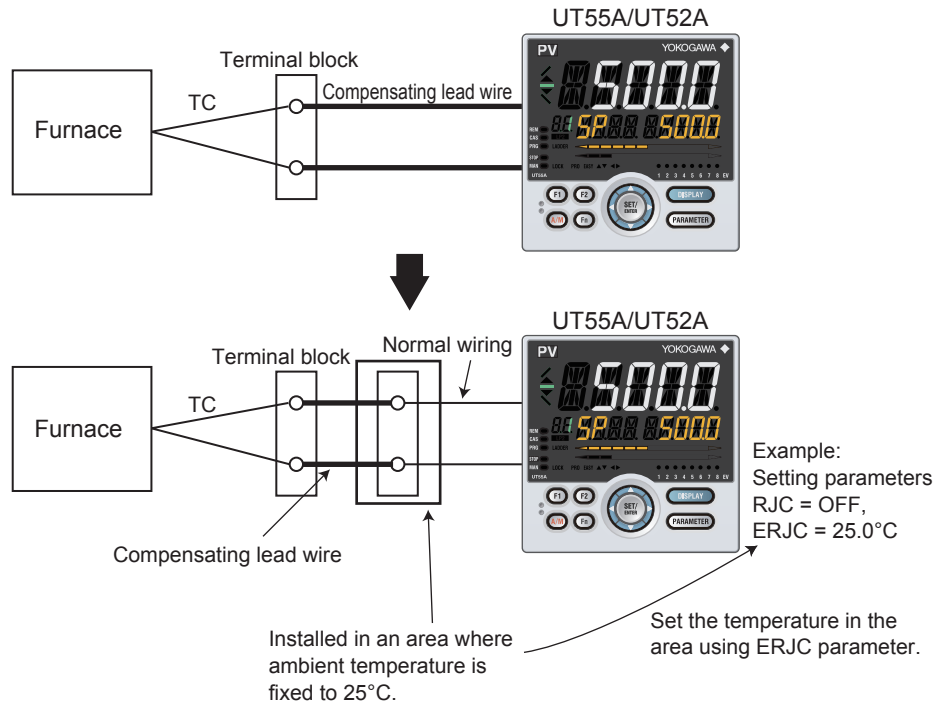
Reference Junction Compensation (RJC)

When TC input is selected, presence/absence of input reference junction compensation can be set.

Usually input values are compensated with the RJC function provided for the controller. However, if it is necessary to rigorously compensate the values with a device other than the function of the controller, for example with a zero-compensator, the RJC function of the controller can be turned off.

External Reference Junction Compensation (ERJC)

For TC input, a temperature compensation value for external device can be set. The external RJC can be used only when RJC = OFF.



On models with the /MDL option, there are no display areas or key operation areas.

Setting Details

Parameter symbol	Name	Display level	Setting range	Menu symbol
RJC	PV input reference junction compensation	PRO	OFF: RJC OFF ON: RJC ON	PV Set
	RSP remote input reference junction compensation	PRO		RSP Set
ERJC	PV input external RJC setpoint	PRO	-10.0 to 60.0°C	PV Set
	RSP remote input external RJC setpoint	PRO		RSP Set

Note 1: When each parameter is displayed, the terminal area (E1 to E4) is displayed on Group display according to the suffix code and optional suffix code.

For models with the /MDL option, configure using the LL50A Parameter Setting Software (sold separately) or through communication.

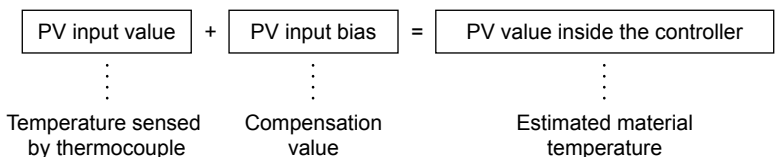
7.1.4 Correcting Input Value

(1) Setting Bias and Filter

Description

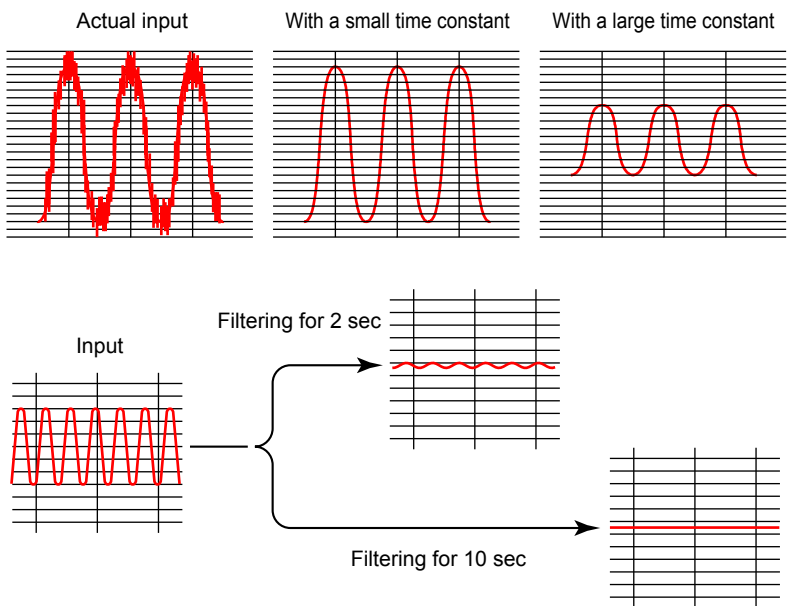
PV Input Bias

The PV input bias allows bias to be summed with input to develop a measured value for display and control use inside the controller. This function can also be used for fine adjustment to compensate for small inter-instrument differences in measurement reading that can occur even if all are within the specified instrument accuracies. PV input bias is used for normal operation.



PV Input Filter

If input noise or variations cause the low-order display digits to fluctuate so that the displayed value is difficult to read, a digital filter can be inserted to smooth operation. This filter provides a first-order lag calculation, which can remove more noise the larger the time constant becomes. However, an excessively large time constant will distort the waveform. PV input filter is used for normal operation.



Analog Input Bias


Analog input bias is used to correct sensor-input characteristics, compensating lead wire errors, and so on.









Analog Input Filter

The analog input filter is used to remove noise from an input signal. This filter provides a first-order lag calculation, which can remove more noise the larger the time constant becomes. However, an excessively large time constant will distort the waveform.

7.1 Setting Functions of PV Input, Remote Input, and Auxiliary Analog Input

Setting Details

Parameter symbol	Name	Display level	Setting range	Menu symbol
BS	PV input bias	EASY	-100.0 to 100.0% of PV input range span (EUS)	PVS 
FL	PV input filter	EASY	OFF, 1 to 120 s	

Parameter symbol	Name	Display level	Setting range	Menu symbol
A.BS	PV analog input bias	STD	-100.0 to 100.0% of each input range span (EUS)	PV 
	RSP analog input bias	PRO		RSP 
	AIN2 aux. analog input bias	PRO		AIN2 
	AIN4 aux. analog input bias	PRO		AIN4 
A.FL	PV analog input filter	STD	OFF, 1 to 120 s	PV 
	RSP analog input filter	PRO		RSP 
	AIN2 aux. analog input filter	PRO		AIN2 
	AIN4 aux. analog input filter	PRO		AIN4 

Note 1: BS, FL; In Cascade control, PV input terminal is for Loop 1 and RSP remote input terminal is for Loop 2. The LP2 lamp is lit while the Loop-2 parameter is displayed.

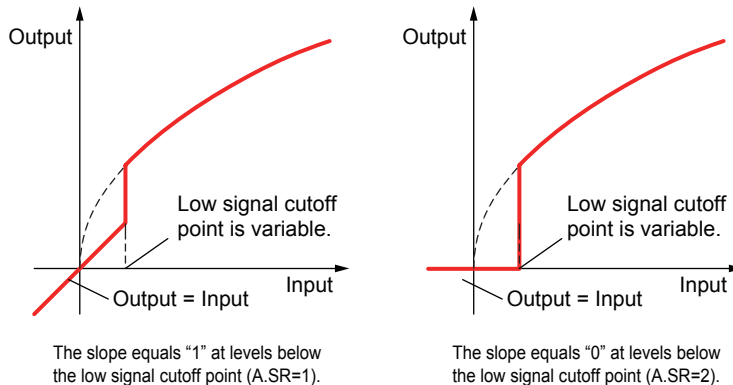
Note 2: When each parameter is displayed, the terminal area (E1 to E4) is displayed on Group display according to the suffix code and optional suffix code.

For models with the /MDL option, configure using the LL50A Parameter Setting Software (sold separately) or through communication.

(2) Setting Square Root Extraction and Low Signal Cutoff Point

Description

This calculation is used to convert, for example, a differential pressure signal from a throttling flow meter such as an orifice and nozzle into a flow-rate signal. There is no hysteresis for low signal cutoff point.



Setting Details

Parameter symbol	Name	Display level	Setting range	Menu symbol
A.SR	PV analog input square root extraction	PRO	OFF: No square root extraction. 1: Compute the square root. (The slope equals "1.") 2: Compute the square root. (The slope equals "0.")	PV Set
	RSP analog input square root extraction	PRO		RSP Set
	AIN2 aux. analog input square root extraction	PRO		AIN2 Set
	AIN4 aux. analog input square root extraction	PRO		AIN4 Set
A.LC	PV analog input low signal cutoff	PRO	0.0 to 5.0%	PV Set
	RSP analog input low signal cutoff	PRO		RSP Set
	AIN2 aux. analog input low signal cutoff	PRO		AIN2 Set
	AIN4 aux. analog input low signal cutoff	PRO		AIN4 Set

Note 1: When each parameter is displayed, the terminal area (E1 to E4) is displayed on Group display according to the suffix code and optional suffix code.
 Note 2: Each parameter is displayed when the input type is voltage or current.

For models with the /MDL option, configure using the LL50A Parameter Setting Software (sold separately) or through communication.

(3) Setting 10-segment Linearizer

Description

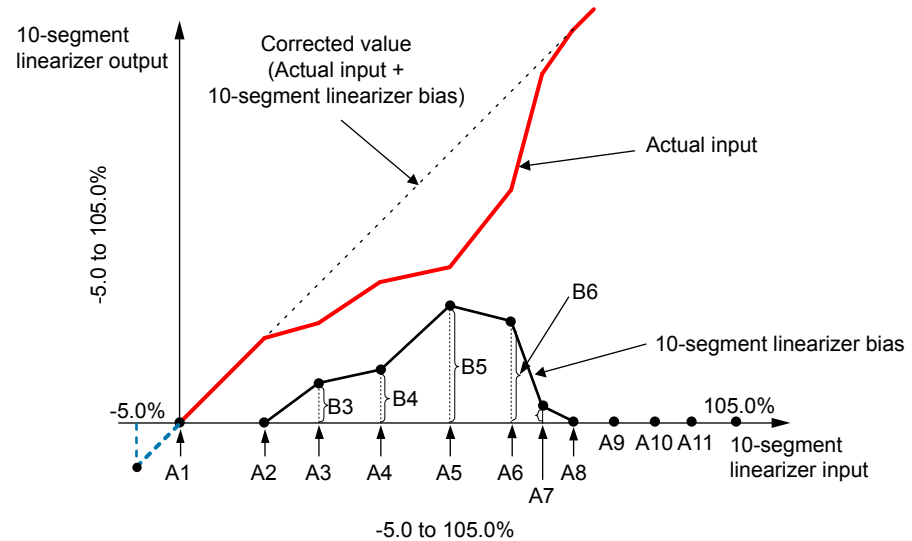
A total of up to four 10-segment linearizers can be used for the input unit and output unit. For the position used by a ten-segment linearizer, see the function block diagram.

- ▶ Function block diagram: 8.1 Setting Control Mode (CTLM)
- ▶ Output Linearizer: 10.13 Setting 10-segment Linearizer for Output

10-segment Linearizer Bias

This function is used to correct an input signal affected by sensor deterioration. The corrected values are obtained by adding the corresponding bias values to each of the 11 points of optionally set input values.

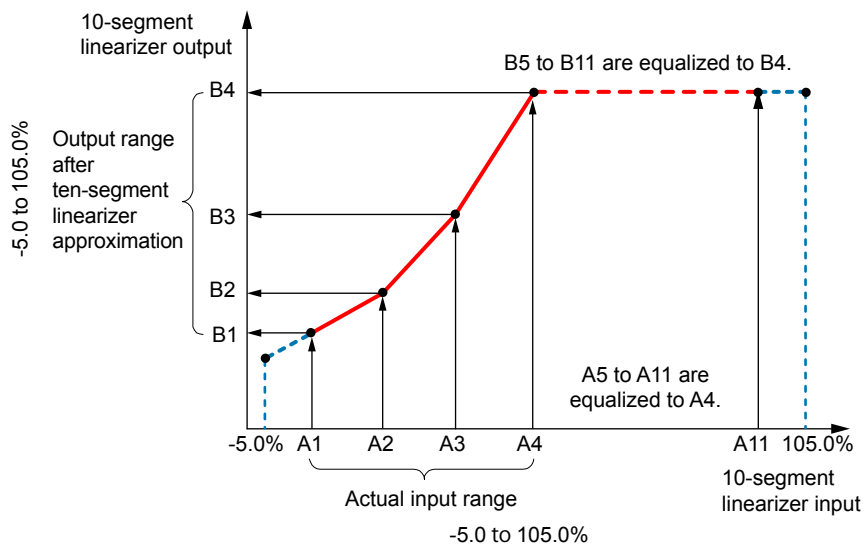
When 10-segment linearizer input is A1 or less, B1 is to be added. When 10-segment linearizer input is A11 or more, B11 is to be added.



10-segment Linearizer Approximation

This function is used when the input signal and the required measurement signal have a non-linear relationship, for example, when trying to obtain the volume from a sphere tank level. As shown in the figure below, the output values can be optionally set to 11 points of the optionally set input values.

When the 10-segment linearizer input is A1 or less, the value of extended line between B1 and B2 is output. Moreover, when the input is A11 or more, the value of extended line between B10 and B11 is output.



Setting Details

Parameter symbol	Name	Display level	Setting range	Menu symbol
PYS	10-segment linearizer selection	Group 1, 2: STD Group 3, 4: PRO	OFF: Disable PV: PV analog input RSP: RSP analog input AIN2: AIN2 analog input AIN4: AIN4 analog input PVIN: PV input OUT: OUT analog output OUT2: OUT2 analog output RET: RET analog output	PYS1 PYS2 PYS3 PYS4 Ope
A1 to A11	10-segment linearizer input	Group 1, 2: STD Group 3, 4: PRO	-66.7 to 105.0% of input range (EU) Output linearizer: -5.0 to 105.0%	
B1 to B11	10-segment linearizer output	Group 1, 2: STD Group 3, 4: PRO	10-segment linearizer bias: -66.7 to 105.0% of input range span (EUS) 10-segment linearizer approximation: -66.7 to 105.0% of input range (EU) Output linearizer: -5.0 to 105.0%	
PMD	10-segment linearizer mode	Group 1, 2: STD Group 3, 4: PRO	0: 10-segment linearizer bias 1: 10-segment linearizer approximation	

Note1: When each parameter is displayed, the group number (1 to 4) is displayed on Group display.

Parameters are set in the following order.

- (1) PYS: Specifies where the 10-segment linearizer function is used.
 - Setpoints PV, RSP, AIN2, and AIN4 function before the input ladder calculation section.
 - Setpoint PVIN functions after the input ladder calculation section.
 - ▶ Where the 10-segment linearizer function is used; Function block diagrams in 8.1 Setting Control Mode (CTLM)
- (2) PMD: Specifies whether to use it as a 10-segment linearizer bias or a 10-segment linearizer approximation.
- (3) A1 to A11, B1 to B11: Sets the 10-segment linearizer input and 10-segment linearizer output.
 - For the input range and input range span, the range varies depending on where the 10-segment linearizer is used.
 - PV input and PV analog input: PV input range or PV input range span
 - RSP analog input: RSP remote input range or RSP remote input range span
 - AIN2 auxiliary analog input: AIN2 auxiliary analog input range or AIN2 auxiliary analog input range span
 - AIN4 auxiliary analog input: AIN4 auxiliary analog input range or AIN4 auxiliary analog input range span

Note

- Set the 10-segment linearizer so that it increases monotonically.
- If the same setpoint is set for the two or more parameters of 10-segment linearizer selection (PYS), a smaller group number is used.

For models with the /MDL option, configure using the LL50A Parameter Setting Software (sold separately) or through communication.

7.1 Setting Functions of PV Input, Remote Input, and Auxiliary Analog Input

Initial value of each control mode

Control mode	Group-1 PYS	Group-2 PYS	Group-3 and -4 PYS
Single-loop control	PV	OFF	OFF
Cascade primary-loop control	PV	OFF	OFF
Cascade secondary-loop control	PV	OFF	OFF
Cascade control	PV	RSP	OFF
Loop control for backup	PV	OFF	OFF
Loop control with PV switching	PV	OFF	OFF
Loop control with PV auto-selector	PVIN	OFF	OFF
Loop control with PV-hold function	PV	OFF	OFF


7.1.5 Setting Ratio bias/filter

Description

Ratio bias computing performs ratio computation and bias addition for remote setpoints.

$$SP = \text{Remote input} \times \text{Remote input ratio (RT)} + \text{Remote input bias (RBS)}$$

Setting Details

Parameter symbol	Name	Display level	Setting range	Menu symbol
RT	Remote input ratio	STD	0.001 to 9.999	SPS 
RBS	Remote input bias	STD	100.0 to 100.0% of PV input range span (EUS)	
RFL	Remote input filter	STD	OFF, 1 to 120 s	

Note 1: In Cascade control, PV input terminal is for Loop 1 and RSP remote input terminal is for Loop 2. The LP2 lamp is lit while the Loop-2 parameter is displayed.

For models with the /MDL option, configure using the LL50A Parameter Setting Software (sold separately) or through communication.

7.2 Setting Input Sampling Period (Control Period)

Setting Details

Parameter symbol	Name	Display level	Setting range	Menu symbol
SMP	Input sampling period (control period)	STD	50: 50 ms 100: 100 ms 200: 200 ms	CTL Set

Note: 50 ms; Available when the control mode is not Cascade control (CTLM≠CAS) and the following functions are not used: "SUPER" function, "SUPER 2" function.

For models with the /MDL option, configure using the LL50A Parameter Setting Software (sold separately) or through communication.

7.3 Using 4-wire RTD as PV Input

Description

To use the 4-wire RTD, the optional suffix code /DR is required for remote input (UT55A suffix code: Type 2 = 1, 2, 4, 5, or 7; UT52A suffix code: Type 2 = 1 or 2), or the optional suffix code /U1 is required.

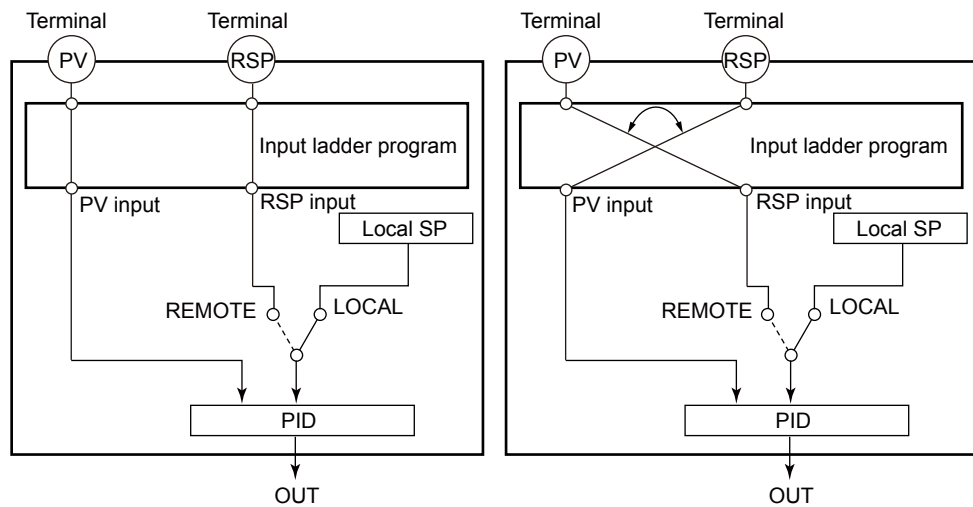
Normally, PV terminal input is used as PV.

When RSP terminal is used as PV, use the ladder program of LL50A Parameter Setting Software (sold separately) to switch the functions of the PV terminal and RSP terminal.

▶ [LL50A Parameter Setting Software: LL50A Parameter Setting Software User's Manual](#)

When PV terminal is used as PV, and RSP terminal is used as RSP.

When RSP terminal is used as PV, and PV terminal is used as RSP.



Setting Details

Parameter symbol	Name	Display level	Setting range	Menu symbol
RTD.S	RTD wiring system	STD	3-W: 3-wire system 4-W: 4-wire system	RSP Set

For models with the /MDL option, configure using the LL50A Parameter Setting Software (sold separately) or through communication.

7.4 Using Larger, Smaller, Average, or Difference of Two to Four Inputs as PV

Description

Loop control with PV auto-selector function automatically selects or calculates the larger, smaller, average, or difference of multiple (two to four) inputs and uses the result as PV.

The larger, smaller, and average are automatically computed based on the specified number of inputs.

For the input difference, the difference between input 1 and input 2 is computed.

Input 1: PV terminal input

Input 2: RSP terminal input

Input 3: AIN2 auxiliary analog input (for UT55A only)

Input 4: AIN4 auxiliary analog input (for UT55A only)

- ▶ [Function block diagram for Loop control with PV auto-selector](#); [8.1.7 Loop Control with PV Auto-selector](#), [Heating/cooling Loop Control with PV Auto-selector](#), and [Position Proportional Loop Control with PV Auto-selector](#)

Setting Details

Parameter symbol	Name	Display level	Setting range	Menu symbol
PV.AS	Input computation selection	STD	0: Max. value 1: Min. value 2: Ave. value 3: Input 1 - Input 2 4: Input 2 - Input 1	MPV Set
PV.NU	Number of inputs	STD	2: Use Input 1 and Input 2 3: Use Input 1, Input 2, and Input 3 4: Use 4 inputs	

For models with the /MDL option, configure using the LL50A Parameter Setting Software (sold separately) or through communication.

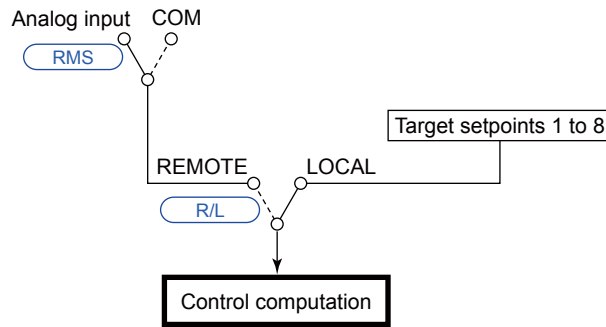
7.5 Setting Remote Input Method

Description

There are two methods for remote input: analog input and communication. Decide which to use among two methods in advance.

Analog input: Remote setting using external analog signal (RSP terminal)

Communication: Remote setting via external communication.



Setting Details

Parameter symbol	Name	Display level	Setting range	Menu symbol
RMS	Remote input method	STD	RSP: Via remote (auxiliary analog) input COM: Via communication	SPS Ope

Note1: In Cascade control, the LP2 lamp is lit while the Loop-2 parameter is displayed.

For models with the /MDL option, configure using the LL50A Parameter Setting Software (sold separately) or through communication.

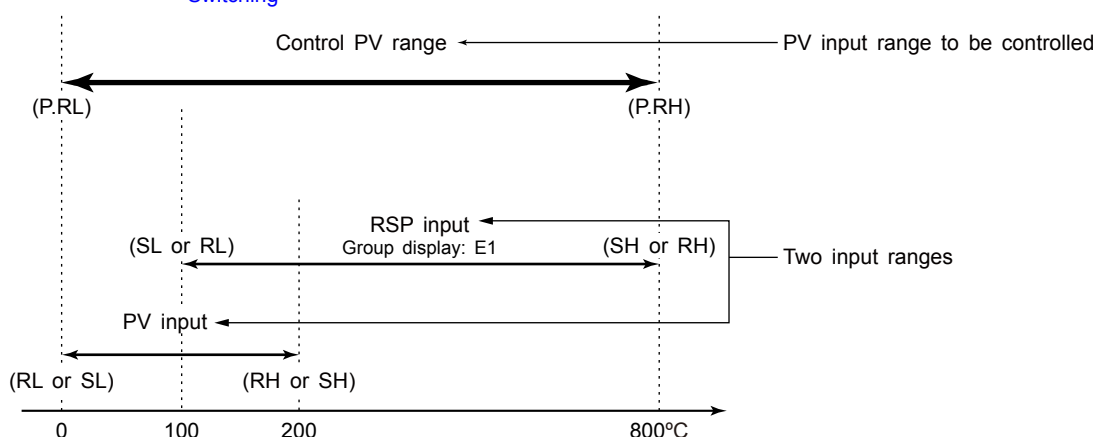
7.6 Adjusting PV Range for Loop Control with PV Switching or Loop Control with PV Auto-selector

Description

Loop control with PV switching and Loop control with PV auto-selector need to determine the PV range for control if the measurement ranges of two input signals are different.

The figure below is an example of setting PV input range of 0 to 200°C, RSP terminal input of 100 to 800°C, and control PV range of 0 to 800°C.

- ▶ Block diagram of Loop control with PV switching: 8.1.6 Loop Control with PV Switching, Heating/cooling Loop Control with PV Switching, and Position Proportional Loop Control with PV Switching



Setting Details

Parameter symbol	Name	Display level	Setting range	Menu symbol
P.UNI	Control PV input unit	STD	-: No unit C: Degree Celsius - -: No unit - - -: No unit F: Degree Fahrenheit	MPV Set
P.DP	Control PV input decimal point position	STD	0: No decimal place 1: One decimal place 2: Two decimal places 3: Three decimal places 4: Four decimal places	
P.RH	Maximum value of control PV input range	STD	-19999 to 30000, (P.RL < P.RH),	
P.RL	Minimum value of control PV input range	STD	P.RH - P.RL ≤ 30000	

Note1: Set the input ranges for two inputs consecutively. Set the control PV ranges (P.RL, P.RH) within the actual input range.

For models with the /MDL option, configure using the LL50A Parameter Setting Software (sold separately) or through communication.

7.7 Setting PV Switching Methods of Loop Control with PV Switching

Description

PV switching method of Loop control with PV switching can be set when the control mode is Loop control with PV switching.

- ▶ Block diagram of Loop control with PV switching: 8.1.6 Loop Control with PV Switching, Heating/cooling Loop Control with PV Switching, and Position Proportional Loop Control with PV Switching

Input 1: PV terminal input

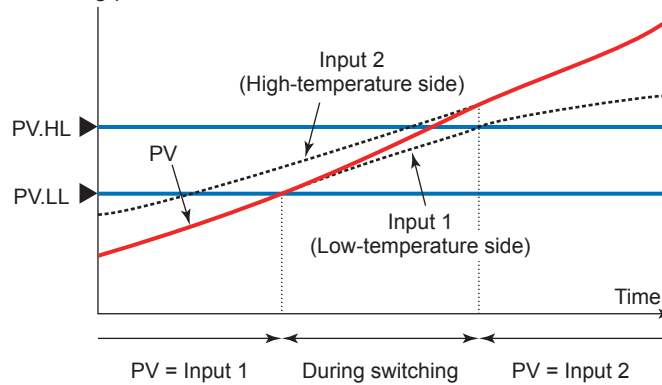
Input 2: RSP terminal input

Switching within the Temperature Range (Low-temperature side) (Parameter PV.2C=0)

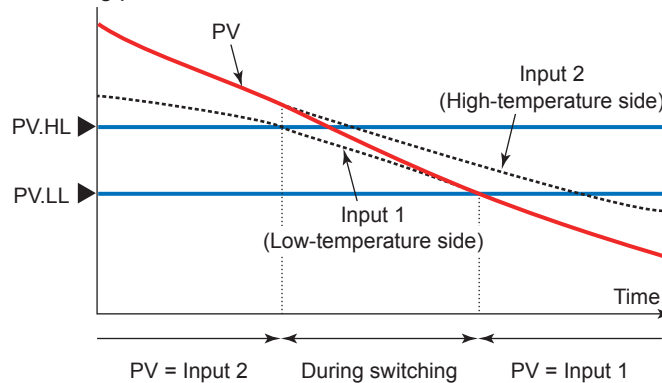
This method automatically switches PV within the range of input switching PV high limit and low limit.

It should be selected in case where a sudden change in PV must be avoided.

PV rising process



PV falling process



When $\text{input 1} \leq \text{PV.LL}$, **PV=Input 1**.

When $\text{PV.LL} < \text{Input 1} < \text{PV.HL}$

$$\text{PV} = \left(1 - \frac{\text{Input 1} - \text{PV.LL}}{\text{PV.HL} - \text{PV.LL}} \right) \cdot \text{Input 1} + \left(\frac{\text{Input 1} - \text{PV.LL}}{\text{PV.HL} - \text{PV.LL}} \right) \cdot \text{Input 2}$$

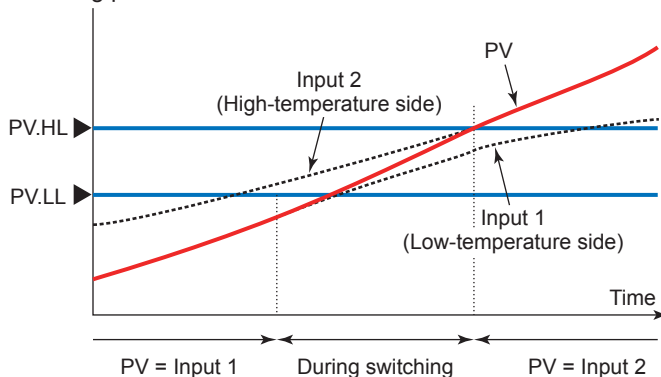
When $\text{PV.HL} \leq \text{Input 1}$, **PV=Input 2**.

Switching within the Temperature Range (High-temperature side) (Parameter PV.2C=3)

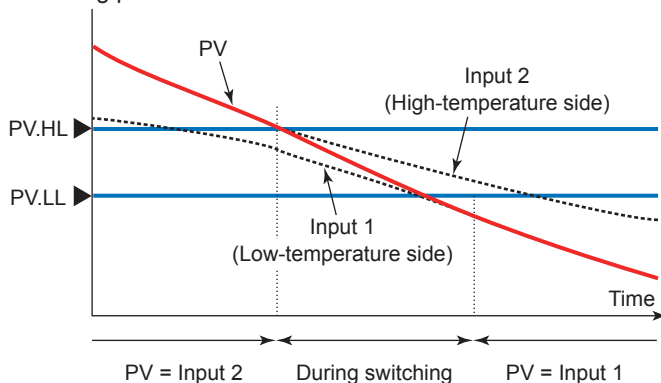
This method automatically switches PV within the range of input switching PV high limit and low limit.

It should be selected in case where a sudden change in PV must be avoided.

PV rising process



PV falling process



When $\text{input 2} \leq \text{PV.LL}$, **PV=Input 1**.

When $\text{PV.LL} < \text{Input 2} < \text{PV.HL}$

$$\text{PV} = \left(1 - \frac{\text{Input 2} - \text{PV.LL}}{\text{PV.HL} - \text{PV.LL}} \right) \cdot \text{Input 1} + \left(\frac{\text{Input 2} - \text{PV.LL}}{\text{PV.HL} - \text{PV.LL}} \right) \cdot \text{Input 2}$$

When $\text{PV.HL} \leq \text{Input 2}$, **PV=Input 2**.

7.7 Setting PV Switching Methods of Loop Control with PV Switching

Switching at the Input Switching PV High Limit (Parameter PV.2C=1)

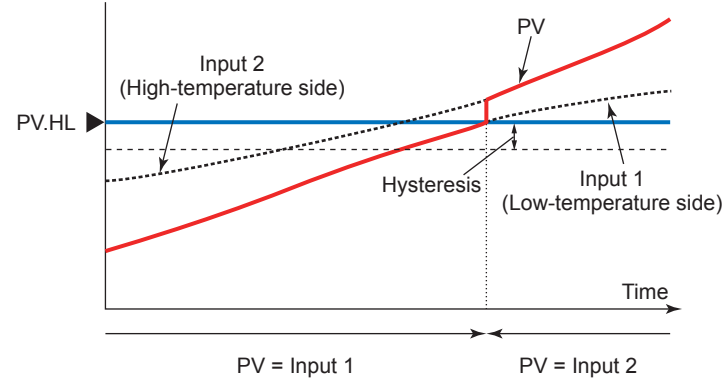
This method automatically switches two inputs at switching point (input switching PV high limit)

It should be selected in case where a sudden change in PV is allowed.

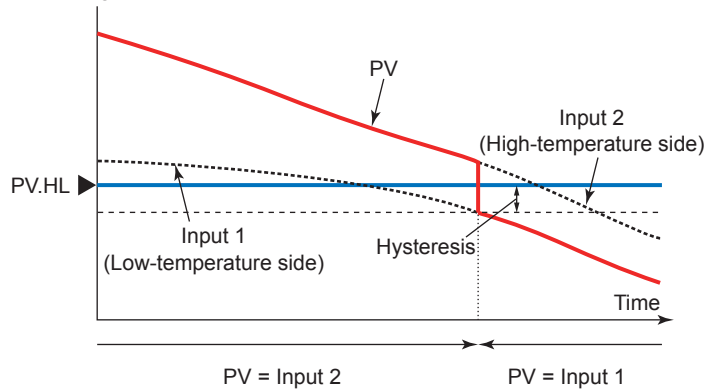
Control output will change smoothly (i.e., without any bumps) when PV switches.

Hysteresis (0.5% of PV range span) is provided around the switching point.

PV rising process



PV falling process



When $\text{input 1} < \text{PV.HL} - 0.5\% \text{ of PV input range span}$, **PV=Input 1**.

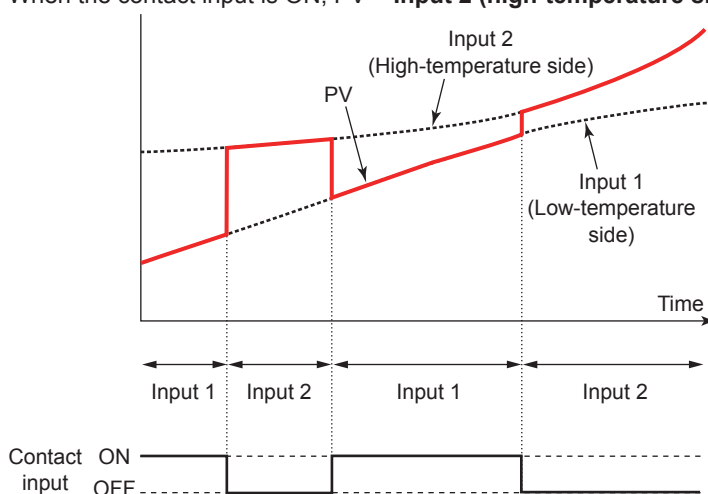
When $\text{PV.HL} \leq \text{Input 1}$, **PV=Input 2**.

Switching by Contact Input (Parameter PV.2C=2)

This method switches two inputs by contact input ON/OFF.

When the contact input is OFF, PV = **Input 1 (low-temperature side)**.

When the contact input is ON, PV = **Input 2 (high-temperature side)**.



The function is assigned to DI16 for the factory default when switched by DI. Control output will change smoothly (i.e., without any bumps) when PV switches.

Setting Details

Parameter symbol	Name	Display level	Setting range	Menu symbol
PV.2C	Input switching action (in Loop control with PV switching)	STD	0: Switch based on low limit of temperature range 1: Switch using the parameter PV.HL 2: Switch using DI 3: Switch based on high limit of temperature range	MPV Set
PV.HL	Input switching PV high limit (in Loop control with PV switching)	STD	0.0 to 100.0% of control PV input range (EU), (PV.HL>PV.LL)	
PV.LL	Input switching PV low limit (in Loop control with PV switching)	STD		

For models with the /MDL option, configure using the LL50A Parameter Setting Software (sold separately) or through communication.

8.1 Setting Control Mode (CTLM)

8.1.1 Single-loop Control, Single-loop Heating/cooling Control, Single-loop Position Proportional Control, and Single-loop Two-position Two-level Control

Setting Details

Parameter symbol	Name	Display level	Setting range	Menu symbol
CTLM	Control mode	STD	SGL: Single-loop control CAS1: Cascade primary-loop control CAS2: Cascade secondary-loop control CAS: Cascade control BUM: Loop control for backup PVSU: Loop control with PV switching PVSEL: Loop control with PV auto-selector PVHD: Loop control with PV-hold function	CTL Set

CAUTION

- Some parameters will be initialized if the control mode (CTLM) is changed.
- When using the ladder program, the control mode cannot be changed.

For models with the /MDL option, configure using the LL50A Parameter Setting Software (sold separately) or through communication.

Description

These control modes provide the basic control function having one control computation unit.

Single-loop control can be used for Standard type or Heating/cooling type controller. Single-loop heating/cooling control can be used for Heating/cooling type controller. Single-loop position proportional control can be used for Position proportional type controller.

Single-loop two-position two-level control can be used for Heating/cooling type controller.

- ▶ [PID control, Heating/cooling control, and Two-position two-level control: 8.2 Setting Control Type \(CNT\)](#)

Up to four 10-segment linearizer approximation/10-segment linearizer biases can be used for the input unit or output unit.

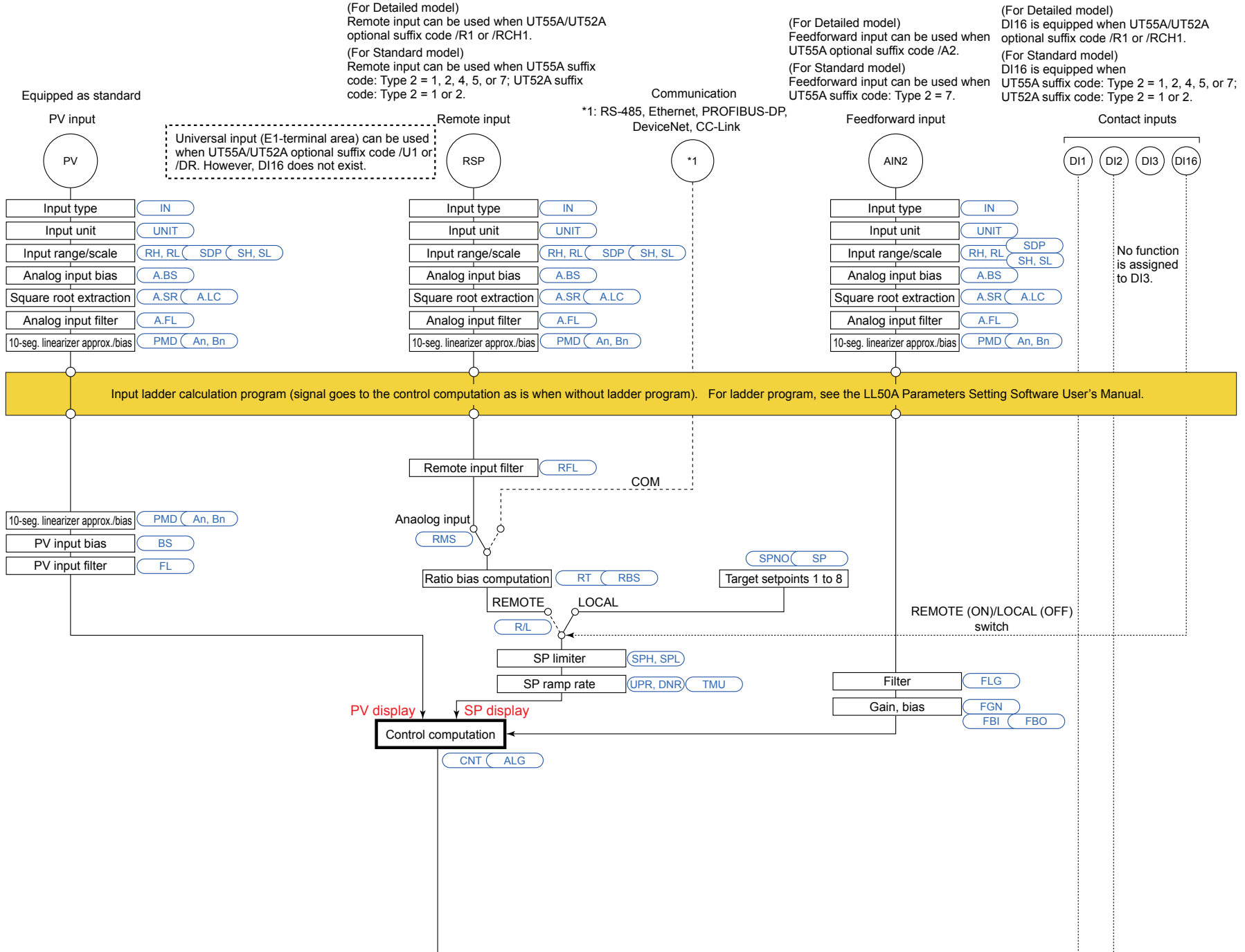
The Function block diagram describes only the basic functions.

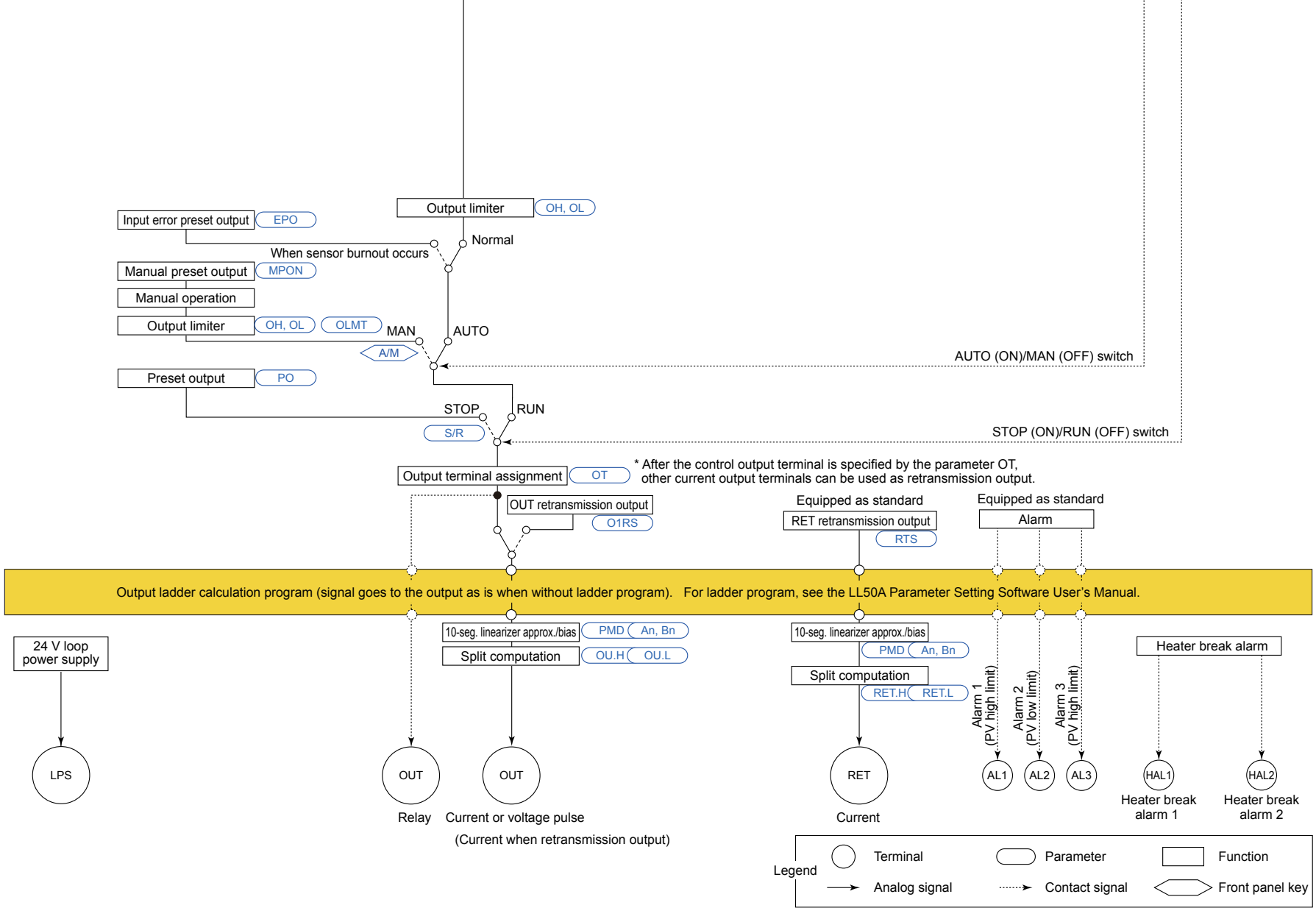
Parameter symbols in the Function block diagram describe representative parameters.

For the functions and parameters which are not described in Function block diagram, see the following.

- ▶ [Contact input assignment: 12.1 Setting Contact Input Function](#)
- ▶ [Contact output assignment: 12.2 Setting Contact Output Function](#)
- ▶ [Contact output assignment to retransmission output terminal: 10.1 Setting Control Output Type](#)
- ▶ [Analog output range change: 10.14 Changing Current Output Range](#)

■ Single-loop Control Function Block Diagram





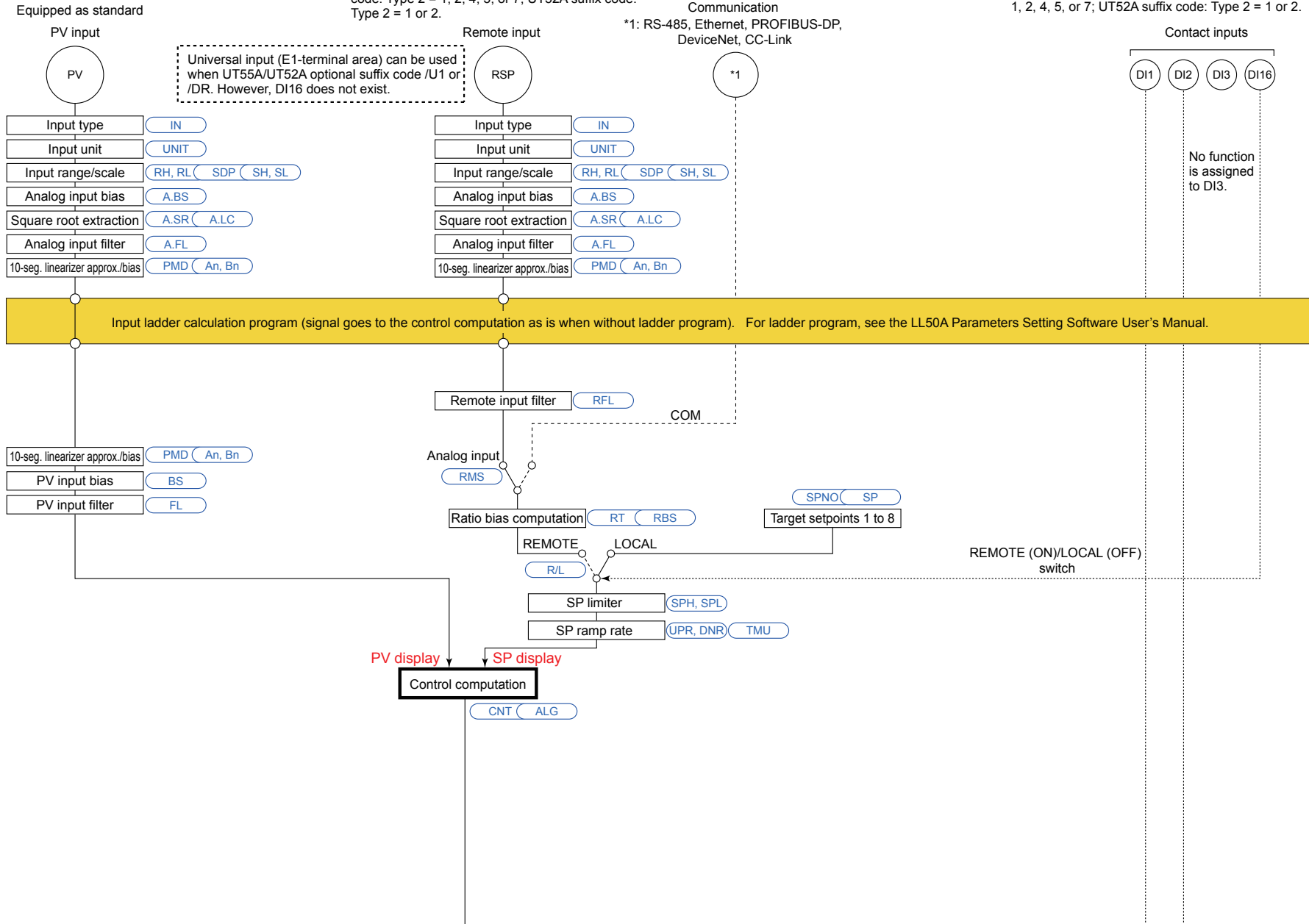
Single-loop Heating/cooling Control Function Block Diagram

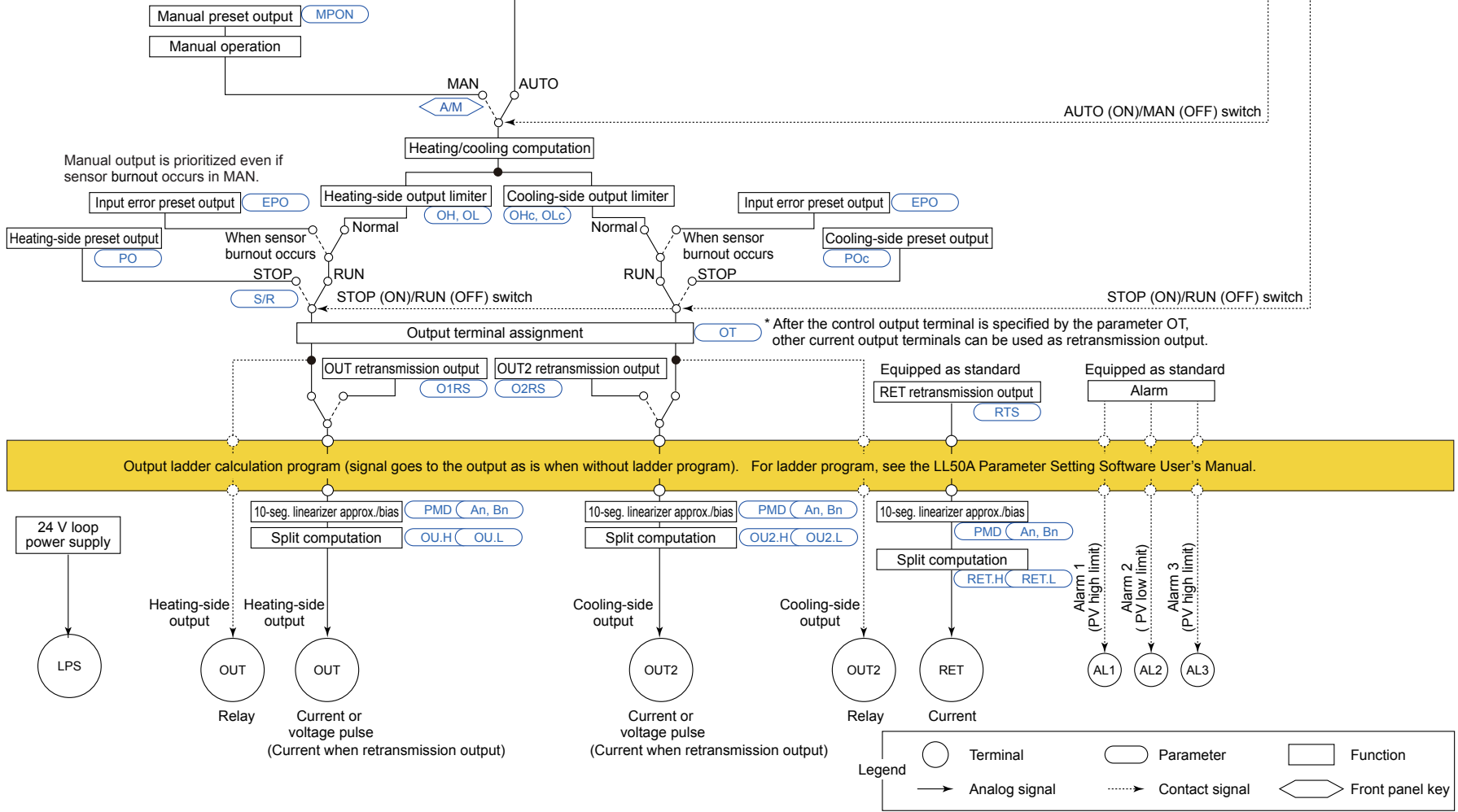
(For Detailed model)
 Remote input can be used when UT55A/UT52A optional suffix code /R1 or /RCH1.

(For Standard model)
 Remote input can be used when UT55A suffix code: Type 2 = 1, 2, 4, 5, or 7; UT52A suffix code: Type 2 = 1 or 2.

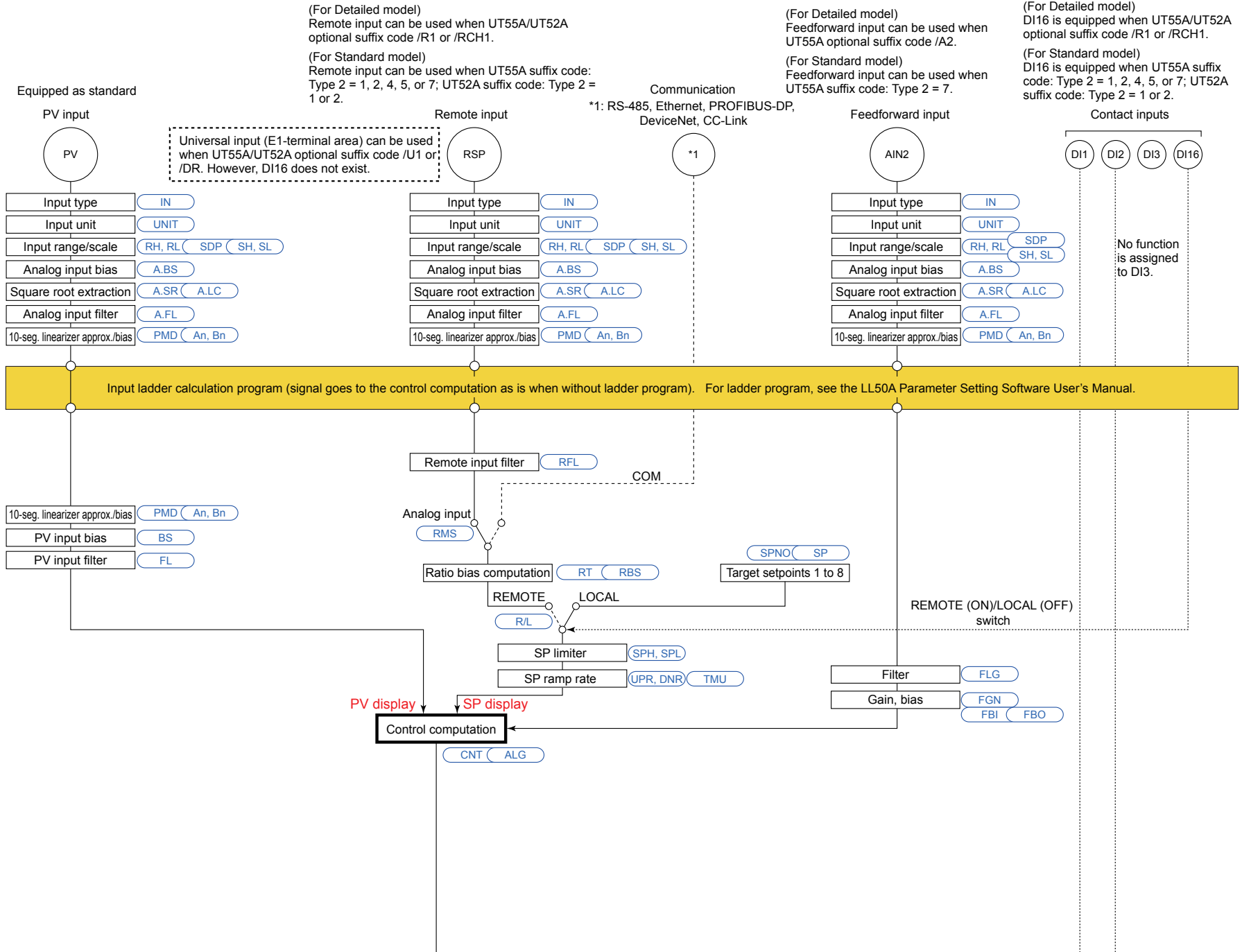
(For Detailed model)
 DI16 is equipped when UT55A/UT52A optional suffix code /R1 or /RCH1.

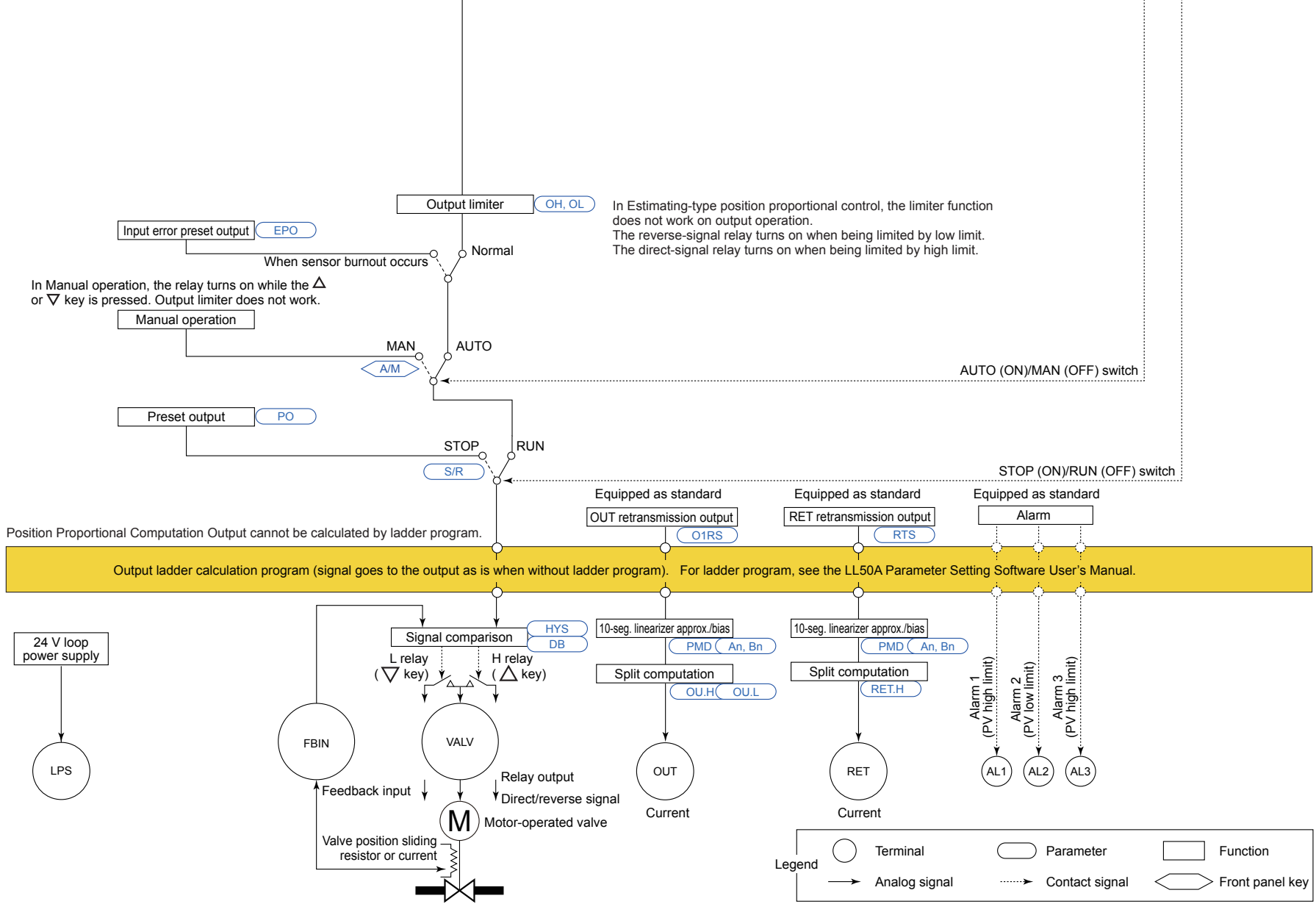
(For Standard model)
 DI16 is equipped when UT55A suffix code: Type 2 = 1, 2, 4, 5, or 7; UT52A suffix code: Type 2 = 1 or 2.



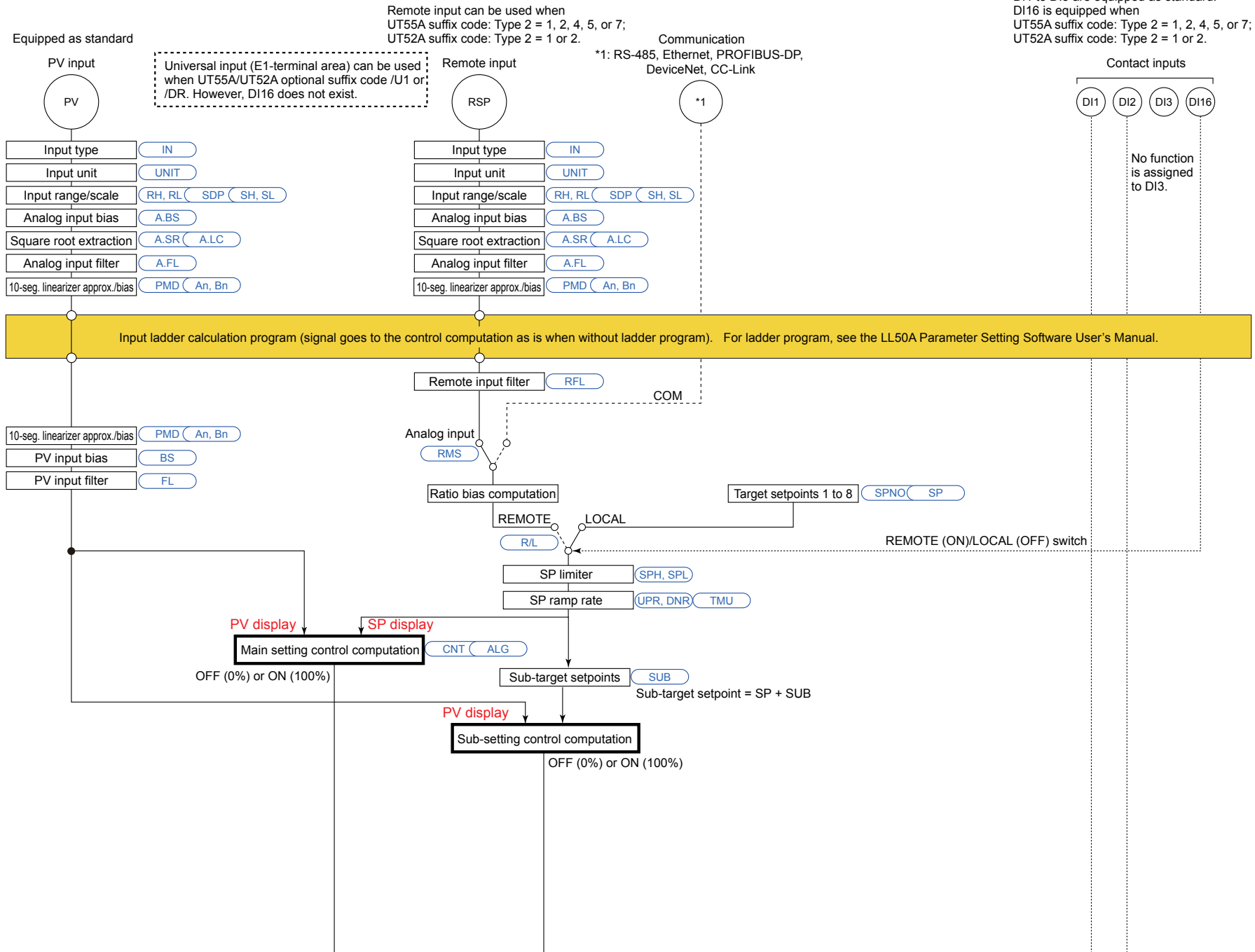


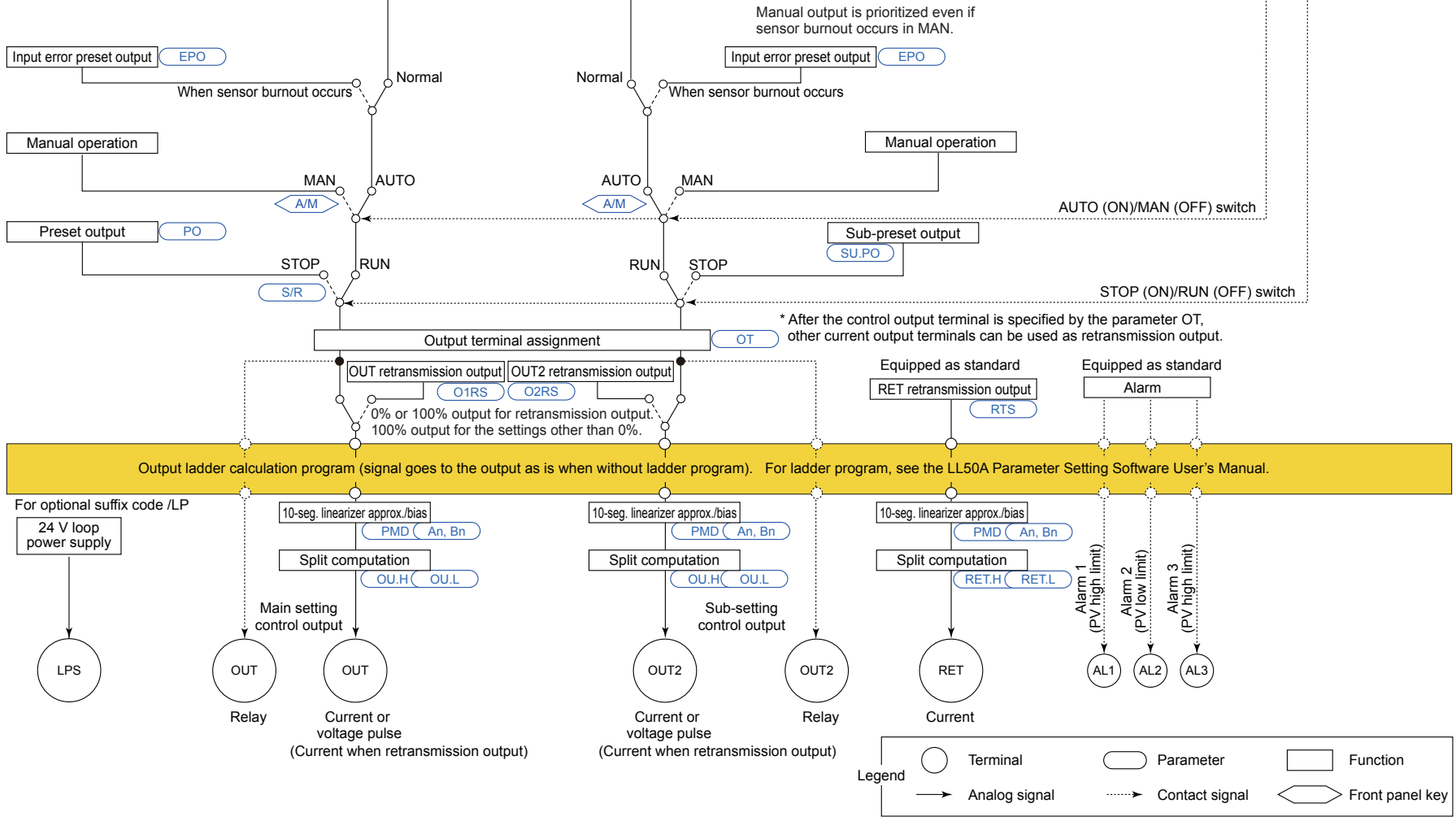
Single-loop Position Proportional Control Function Block Diagram





Single-loop Two-position Two-level Control Function Block Diagram





8.1 Setting Control Mode (CTLM)

Intentionally blank

8.1.2 Cascade Primary-loop Control

Setting Details

Parameter symbol	Name	Display level	Setting range	Menu symbol
CTLM	Control mode	STD	SGL: Single-loop control CAS1: Cascade primary-loop control CAS2: Cascade secondary-loop control CAS: Cascade control BUM: Loop control for backup PVSW: Loop control with PV switching PVSEL: Loop control with PV auto-selector PVHD: Loop control with PV-hold function	CTL Set

CAUTION

- Some parameters will be initialized if the control mode (CTLM) is changed.
- When using the ladder program, the control mode cannot be changed.

For models with the /MDL option, configure using the LL50A Parameter Setting Software (sold separately) or through communication.

Description

Cascade primary-loop control sets up a controller as the primary-loop controller when two controllers are used for Cascade control. It provides the output tracking function and FAIL output to the secondary-loop controller.

Cascade primary-loop control can be used for Standard type or Heating/cooling type controller.

▶ [PID control: 8.2 Setting Control Type \(CNT\)](#)

Up to four 10-segment linearizer approximation/10-segment linearizer biases can be used for the input unit or output unit.

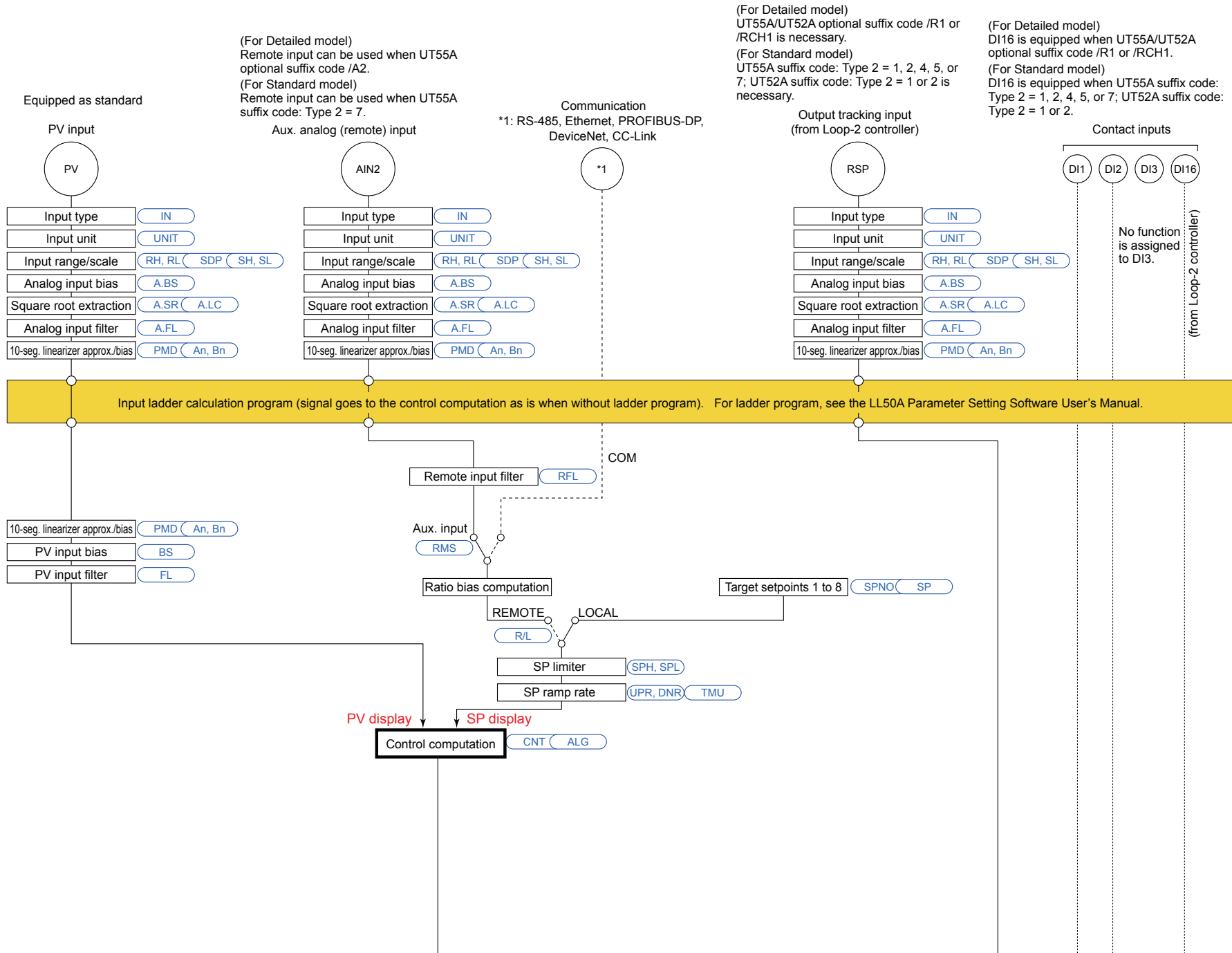
The Function block diagram describes only the basic functions.

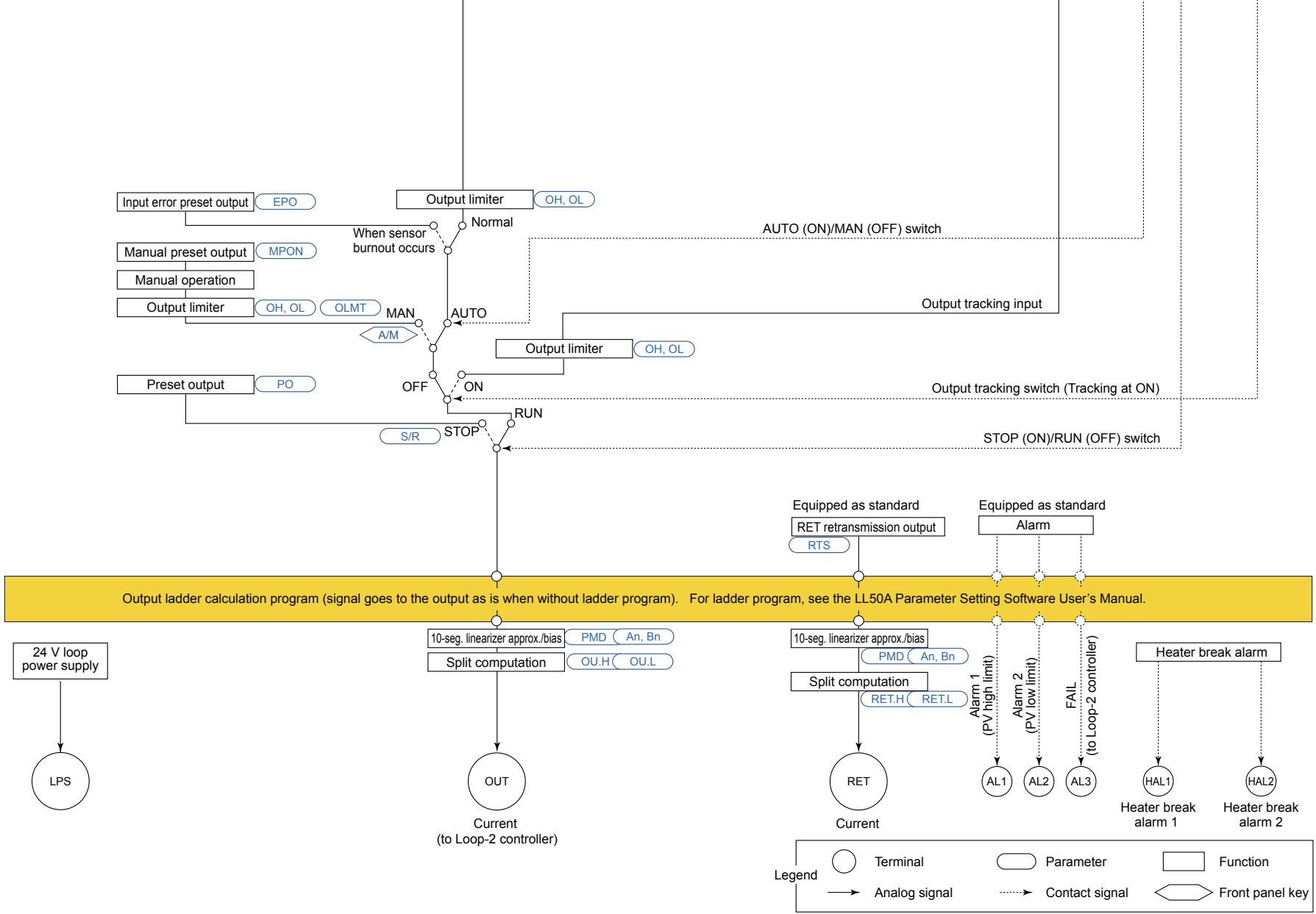
Parameter symbols in the Function block diagram describe representative parameters.

For the functions and parameters which are not described in Function block diagram, see the following.

- ▶ [Contact input assignment: 12.1 Setting Contact Input Function](#)
- ▶ [Contact output assignment: 12.2 Setting Contact Output Function](#)
- ▶ [Contact output assignment to retransmission output terminal: 10.1 Setting Control Output Type](#)
- ▶ [Analog output range change: 10.14 Changing Current Output Range](#)

■ Cascade Primary-loop Control Function Block Diagram





8.1 Setting Control Mode (CTLM)

Intentionally blank

8.1.3 Cascade Secondary-loop Control, Cascade Secondary-loop Heating/cooling Control, and Cascade Secondary-loop Position Proportional Control

Setting Details

Parameter symbol	Name	Display level	Setting range	Menu symbol
CTLM	Control mode	STD	SGL: Single-loop control CAS1: Cascade primary-loop control CAS2: Cascade secondary-loop control CAS: Cascade control BUM: Loop control for backup PVSW: Loop control with PV switching PVSEL: Loop control with PV auto-selector PVHD: Loop control with PV-hold function	CTL Set

CAUTION

- Some parameters will be initialized if the control mode (CTLM) is changed.
- When using the ladder program, the control mode cannot be changed.

For models with the /MDL option, configure using the LL50A Parameter Setting Software (sold separately) or through communication.

Description

These control modes set up a controller as the secondary-loop controller when two controllers are used for Cascade control. They provide the target setpoint output function and tracking signal output function to the primary-loop controller.

Cascade secondary-loop control can be used for Standard type or Heating/cooling type controller.

Cascade secondary-loop heating/cooling control can be used for Heating/cooling type controller.

Cascade secondary-loop position proportional control can be used for Position proportional type controller.

▶ [PID control and Heating/cooling control: 8.2 Setting Control Type \(CNT\)](#)

Up to four 10-segment linearizer approximation/10-segment linearizer biases can be used for the input unit or output unit.

The Function block diagram describes only the basic functions.

Parameter symbols in the Function block diagram describe representative parameters.

For the functions and parameters which are not described in Function block diagram, see the following.

- ▶ [Contact input assignment: 12.1 Setting Contact Input Function](#)
- ▶ [Contact output assignment: 12.2 Setting Contact Output Function](#)
- ▶ [Contact output assignment to retransmission output terminal: 10.1 Setting Control Output Type](#)
- ▶ [Analog output range change: 10.14 Changing Current Output Range](#)

■ Cascade Secondary-loop Control Function Block Diagram

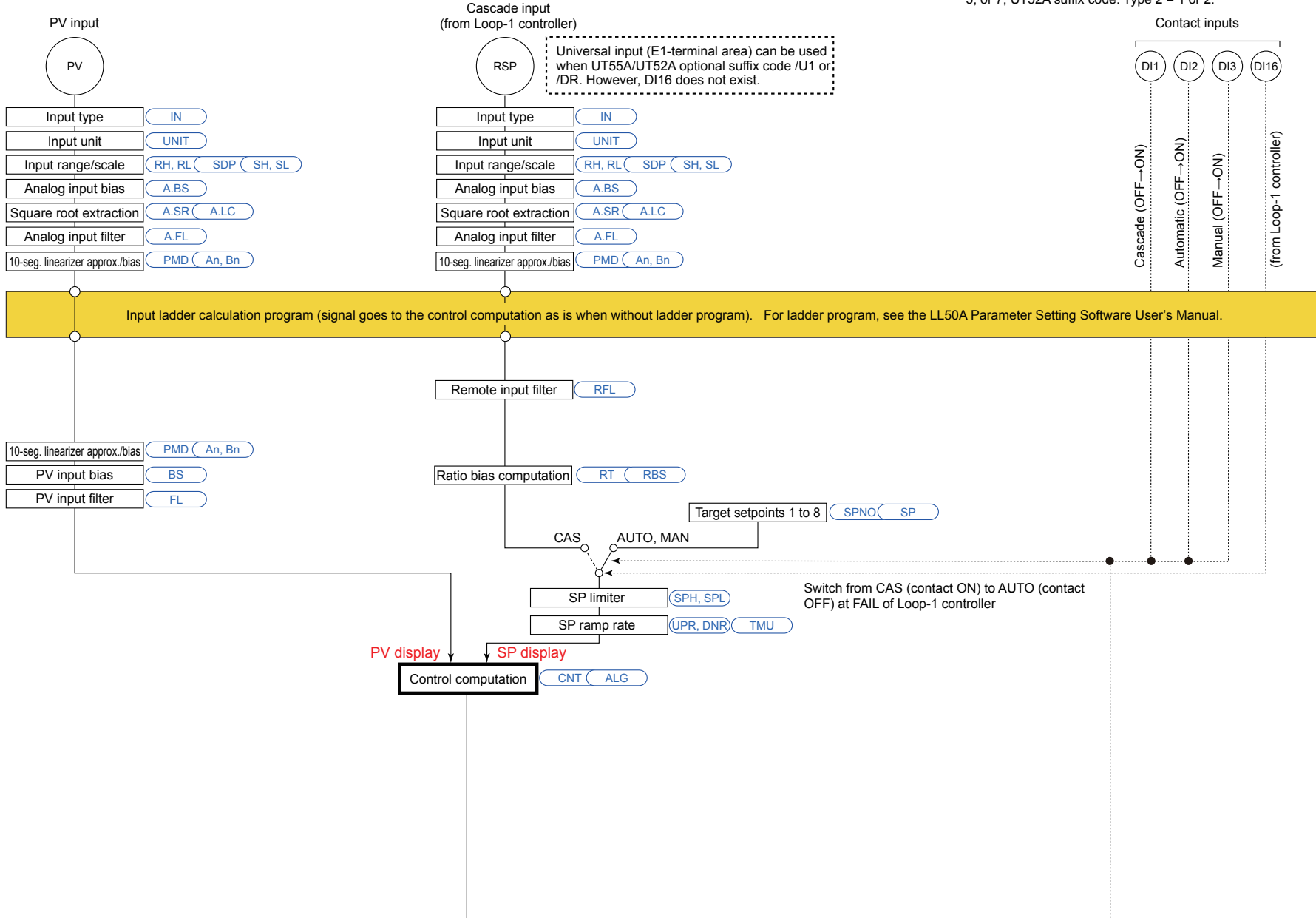
Equipped as standard

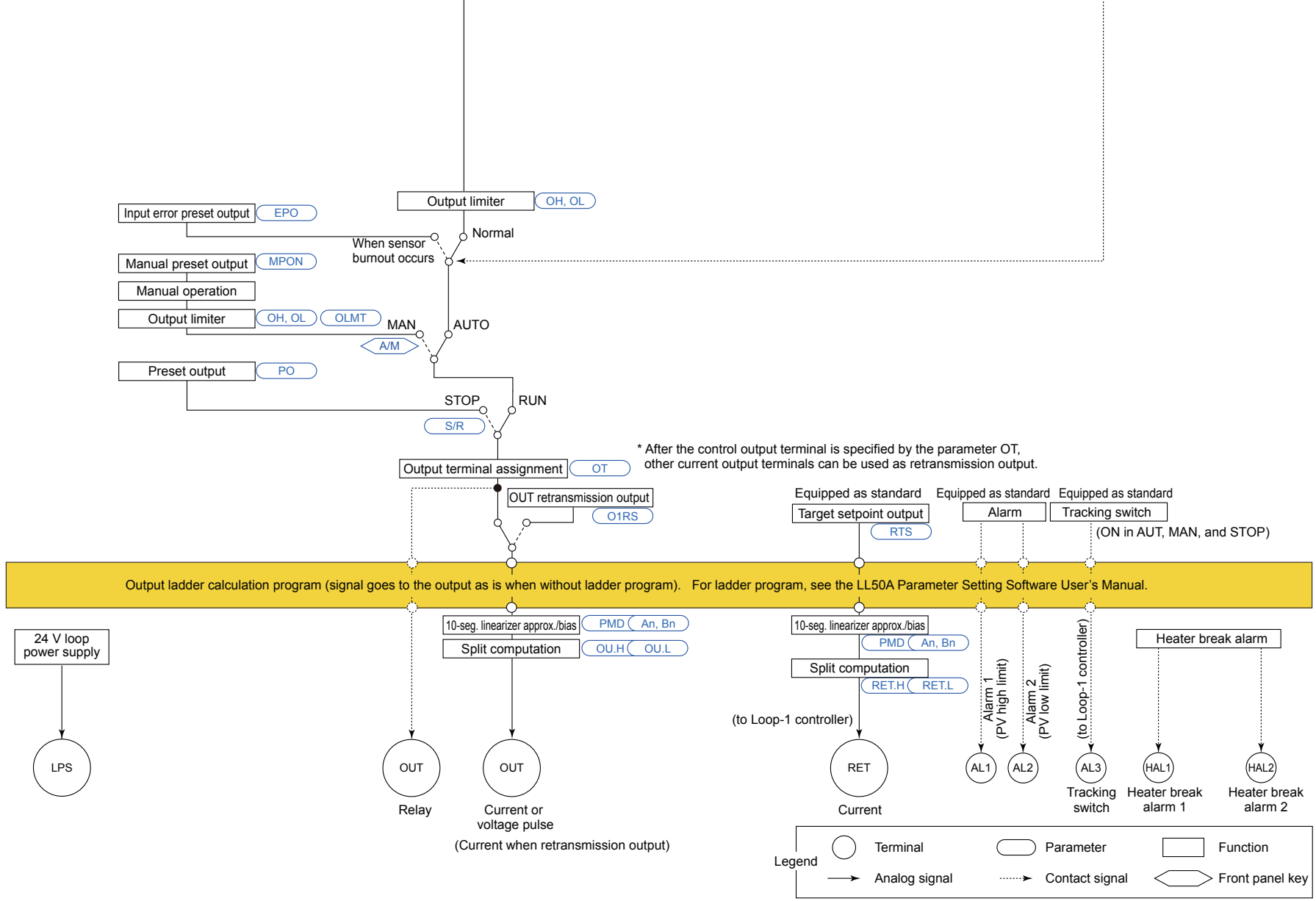
(For Detailed model)
Cascade input can be used when UT55A/UT52A optional suffix code /R1 or /RCH1.

(For Standard model)
Cascade input can be used when UT55A suffix code: Type 2 = 1, 2, 4, 5, or 7; UT52A suffix code: Type 2 = 1 or 2.

(For Detailed model)
DI16 is equipped when UT55A/UT52A optional suffix code /R1 or /RCH1.

(For Standard model)
DI16 is equipped when UT55A suffix code: Type 2 = 1, 2, 4, 5, or 7; UT52A suffix code: Type 2 = 1 or 2.





■ Cascade Secondary-loop Heating/cooling Control Function Block Diagram

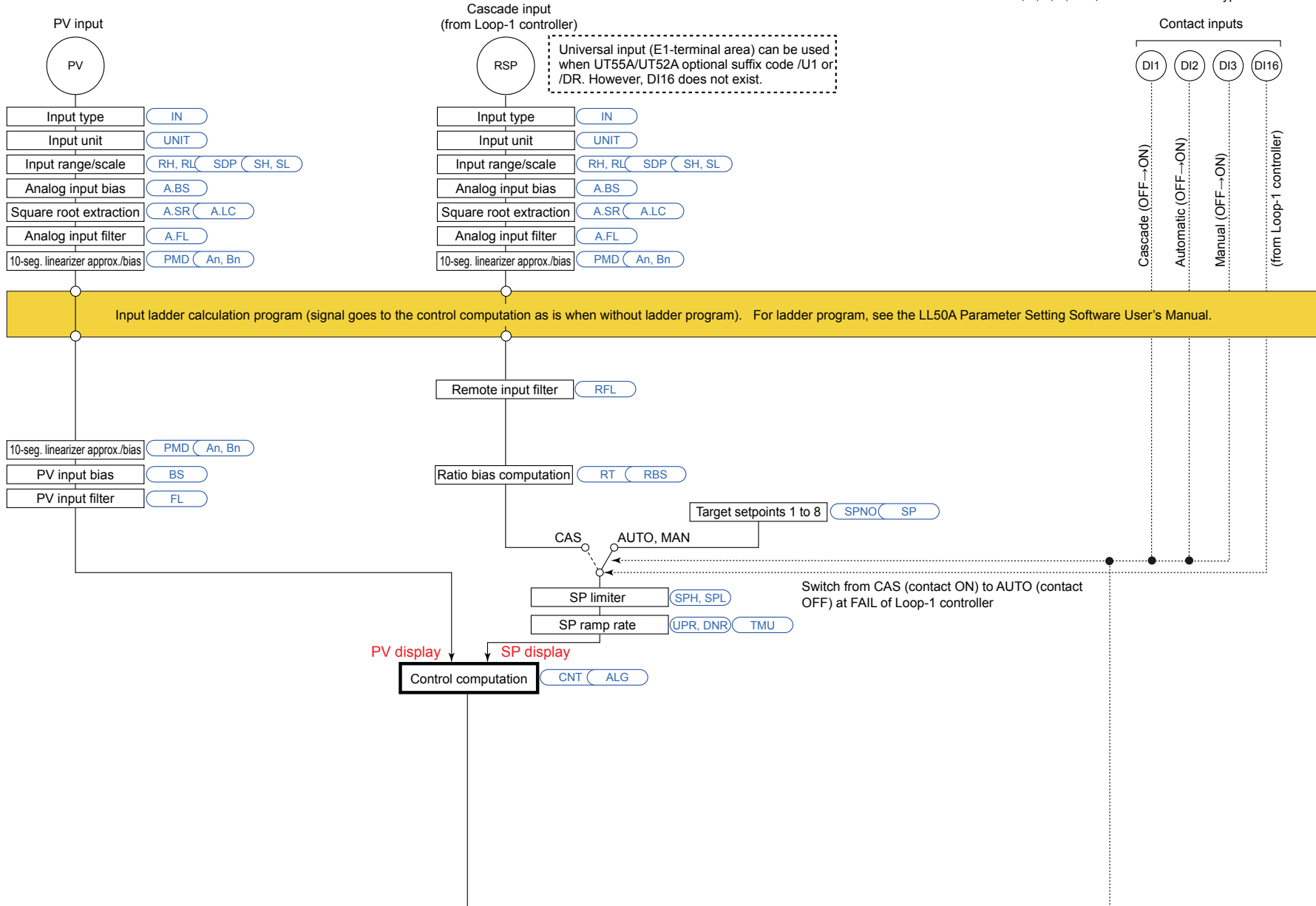
(For Detailed model)
 Cascade input can be used when UT55A/UT52A optional suffix code /R1 or /RCH1.

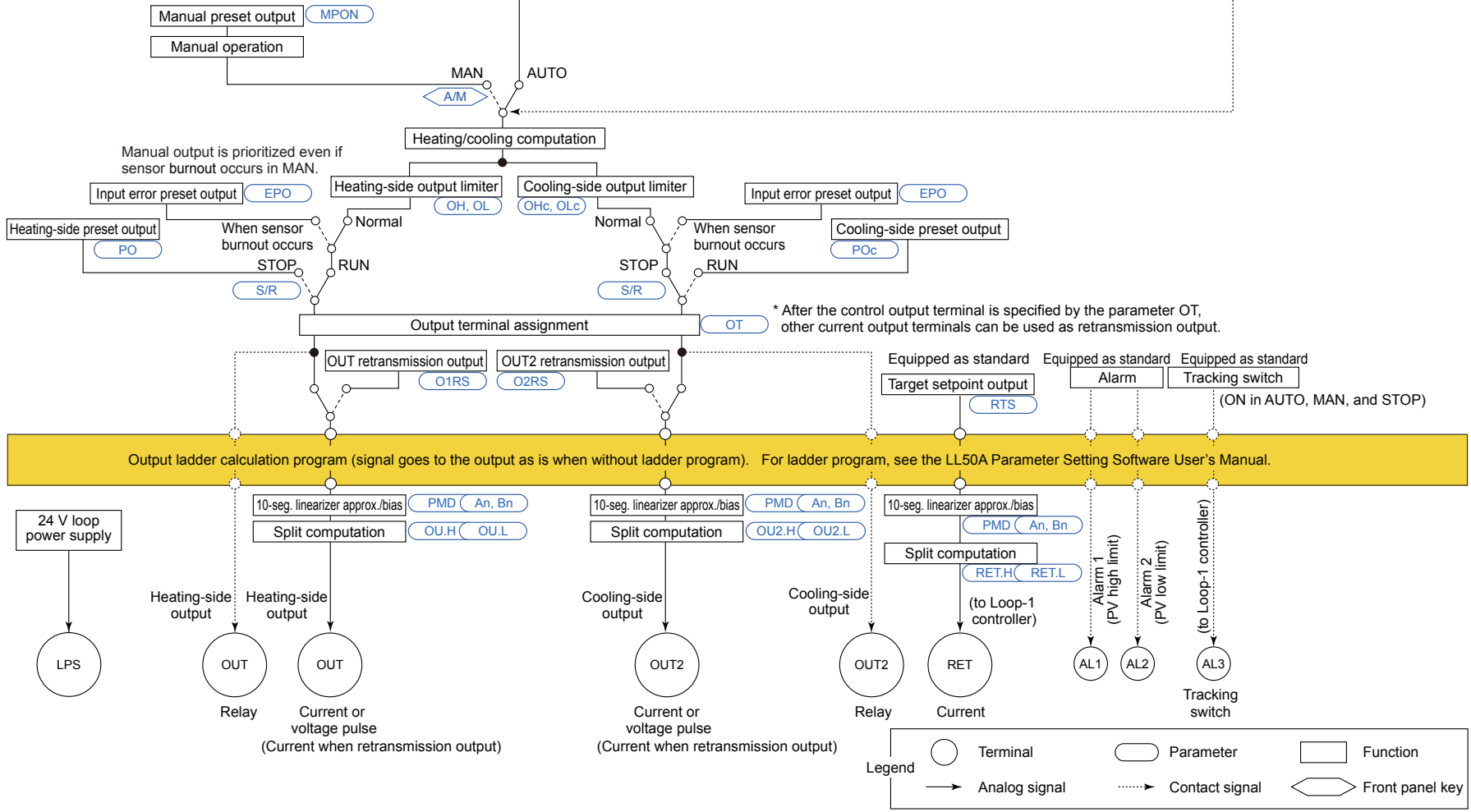
(For Standard model)
 Cascade input can be used when UT55A suffix code: Type 2 = 1, 2, 4, 5, or 7; UT52A suffix code: Type 2 = 1 or 2.

(For Detailed model)
 DI16 is equipped when UT55A/UT52A optional suffix code /R1 or /RCH1.

(For Standard model)
 DI16 is equipped when UT55A suffix code: Type 2 = 1, 2, 4, 5, or 7; UT52A suffix code: Type 2 = 1 or 2.

Equipped as standard





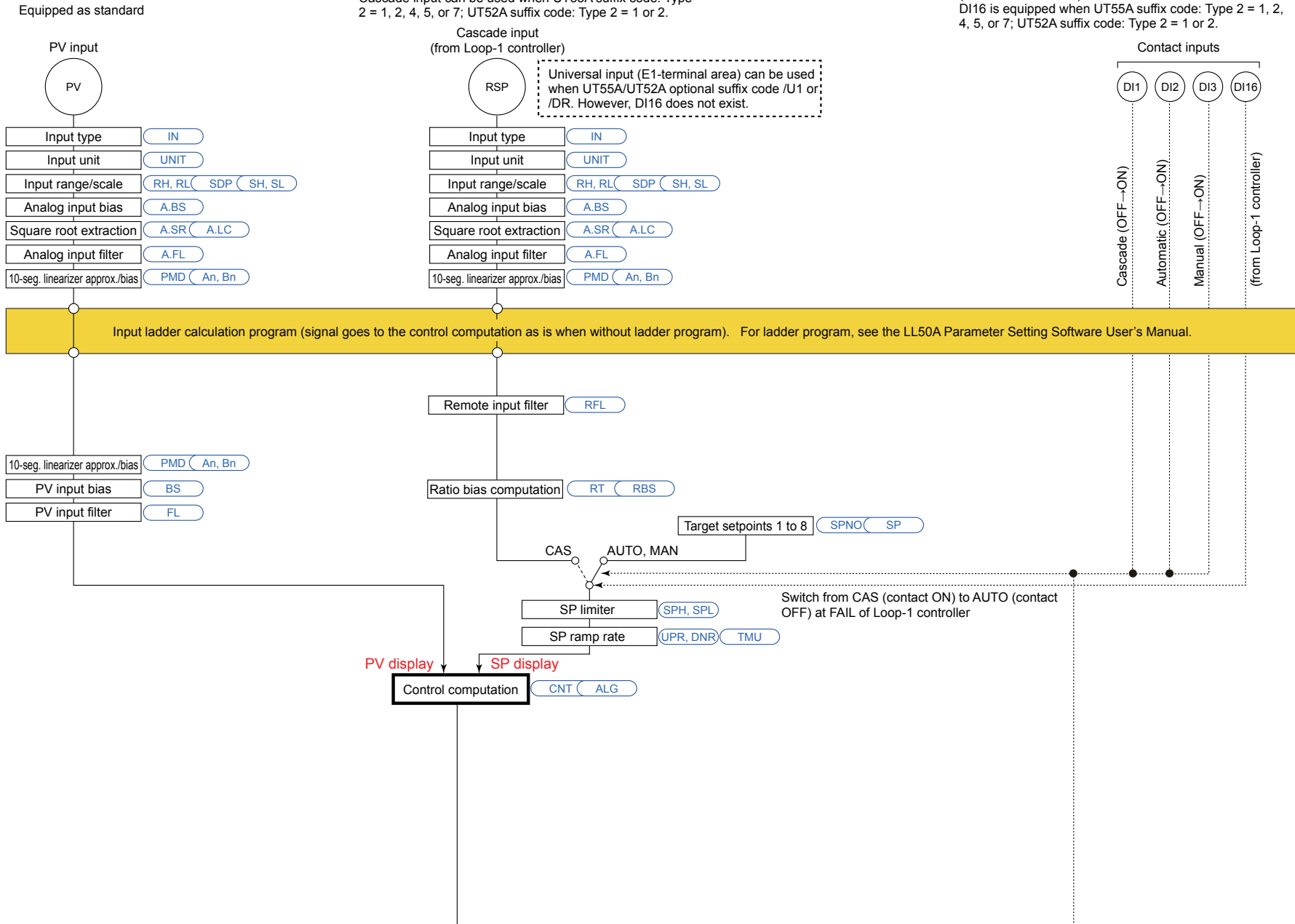
■ Cascade Secondary-loop Position Proportional Control Function Block Diagram

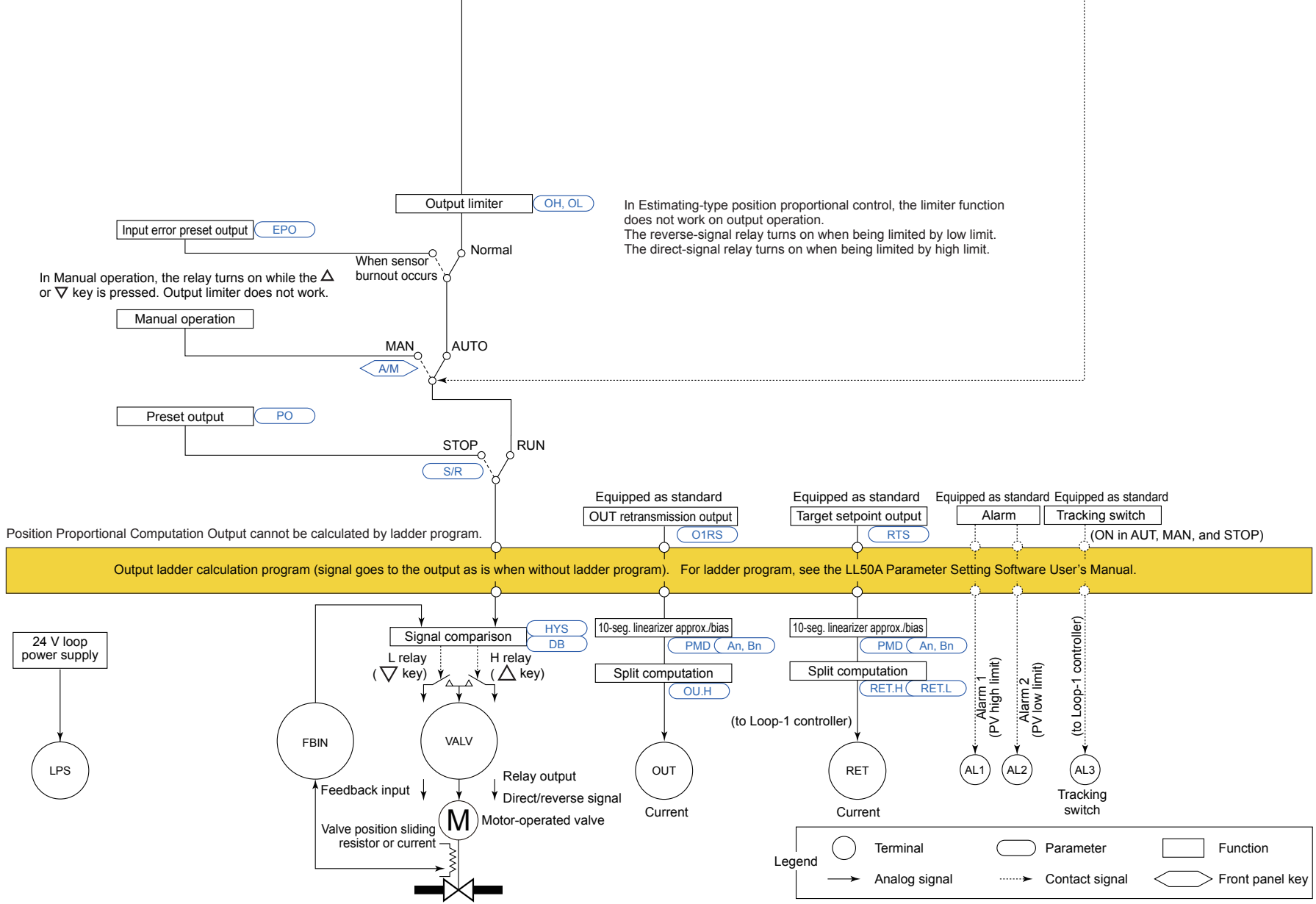
(For Detailed model)
 Cascade input can be used when UT55A/UT52A optional suffix code /R1 or /RCH1.

(For Standard model)
 Cascade input can be used when UT55A suffix code: Type 2 = 1, 2, 4, 5, or 7; UT52A suffix code: Type 2 = 1 or 2.

(For Detailed model)
 DI16 is equipped when UT55A/UT52A optional suffix code /R1 or /RCH1.

(For Standard model)
 DI16 is equipped when UT55A suffix code: Type 2 = 1, 2, 4, 5, or 7; UT52A suffix code: Type 2 = 1 or 2.





8.1 Setting Control Mode (CTLM)

Intentionally blank

8.1.4 Cascade Control, Cascade Heating/cooling Control, and Cascade Position Proportional Control

Setting Details

Parameter symbol	Name	Display level	Setting range	Menu symbol
CTLM	Control mode	STD	SGL: Single-loop control CAS1: Cascade primary-loop control CAS2: Cascade secondary-loop control CAS: Cascade control BUM: Loop control for backup PVSW: Loop control with PV switching PVSEL: Loop control with PV auto-selector PVHD: Loop control with PV-hold function	CTL Set

CAUTION

- Some parameters will be initialized if the control mode (CTLM) is changed.
- When using the ladder program, the control mode cannot be changed.

For models with the /MDL option, configure using the LL50A Parameter Setting Software (sold separately) or through communication.

Description

These control modes use two control computation units and permits Cascade control using just a single controller.

Cascade control can be used for Standard type or Heating/cooling type controller. Cascade heating/cooling control can be used for Heating/cooling type controller. Cascade position proportional control can be used for Position proportional type controller.

▶ [PID control and Heating/cooling control: 8.2 Setting Control Type \(CNT\)](#)

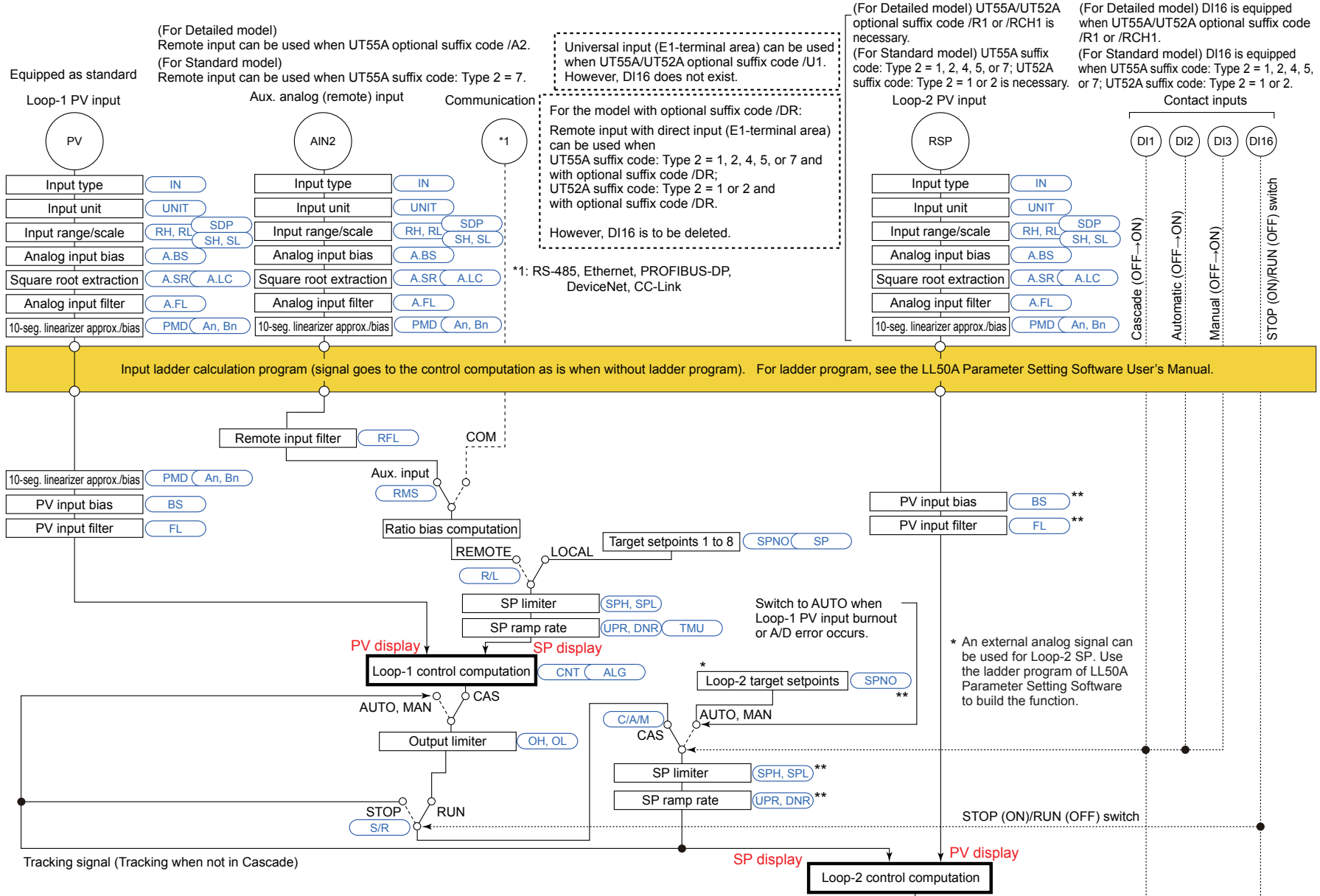
Up to four 10-segment linearizer approximation/10-segment linearizer biases can be used for the input unit or output unit.

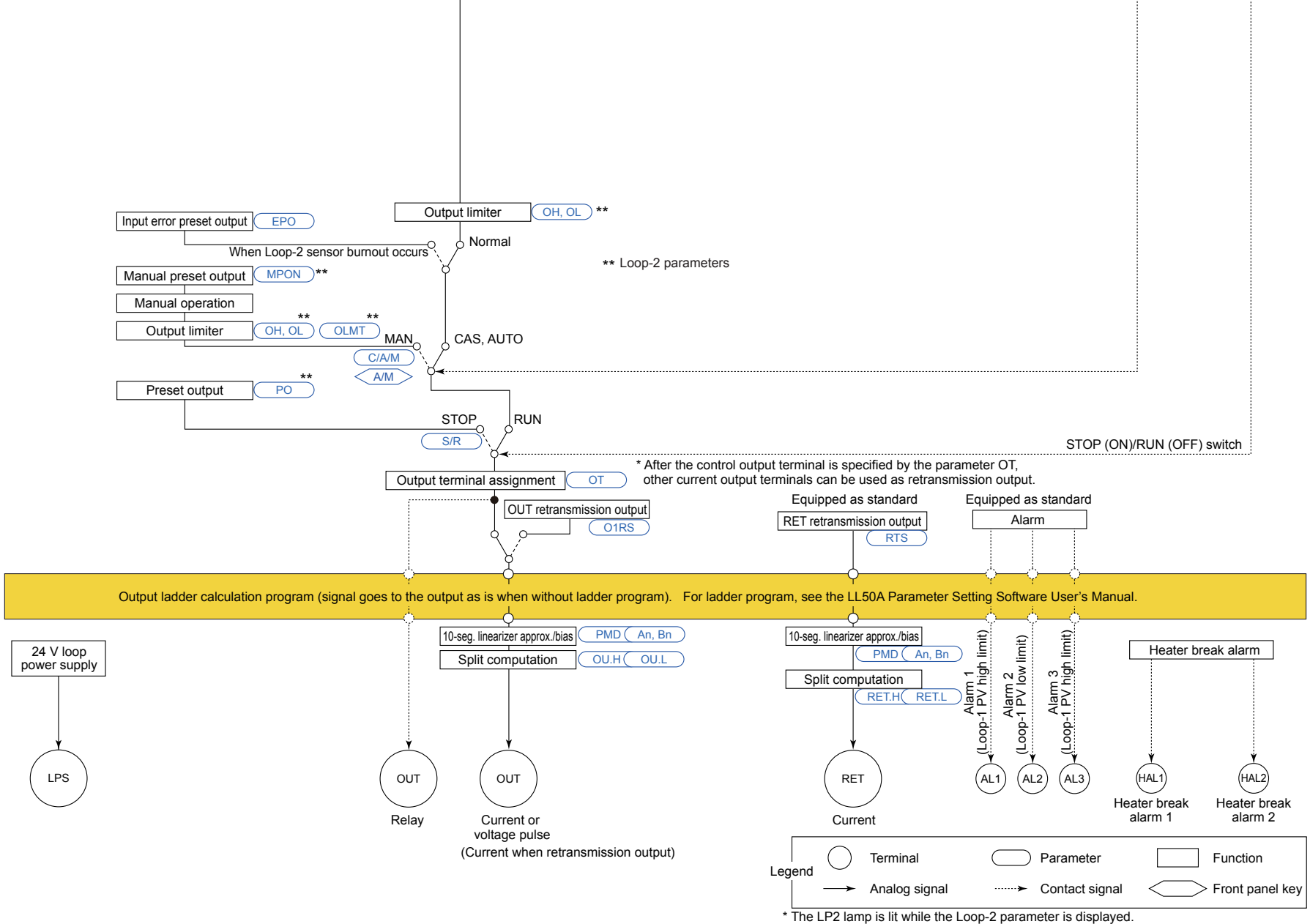
The Function block diagram describes only the basic functions. Parameter symbols in the Function block diagram describe representative parameters.

For the functions and parameters which are not described in Function block diagram, see the following.

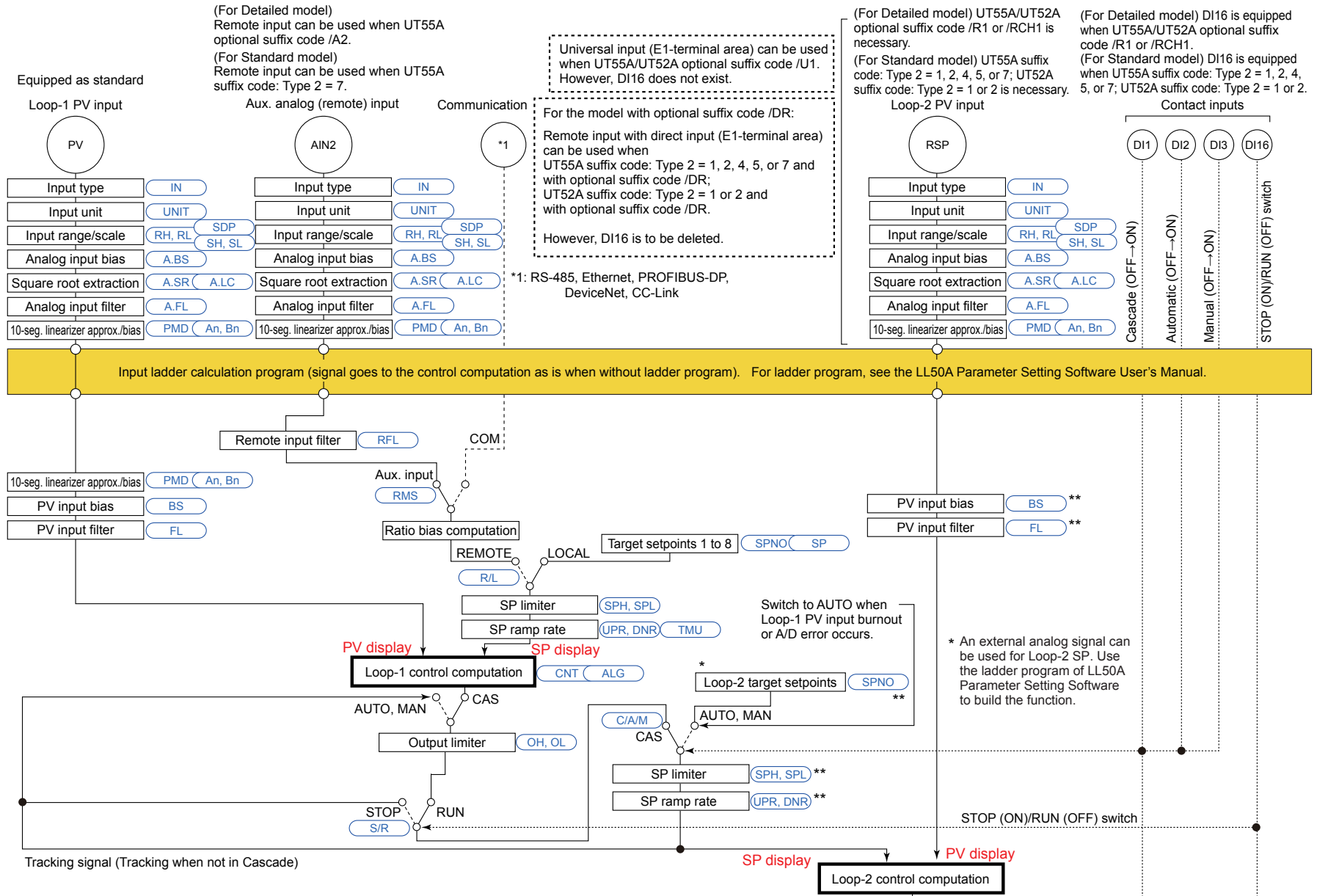
- ▶ [Contact input assignment: 12.1 Setting Contact Input Function](#)
- ▶ [Contact output assignment: 12.2 Setting Contact Output Function](#)
- ▶ [Contact output assignment to retransmission output terminal: 10.1 Setting Control Output Type](#)
- ▶ [Analog output range change: 10.14 Changing Current Output Range](#)

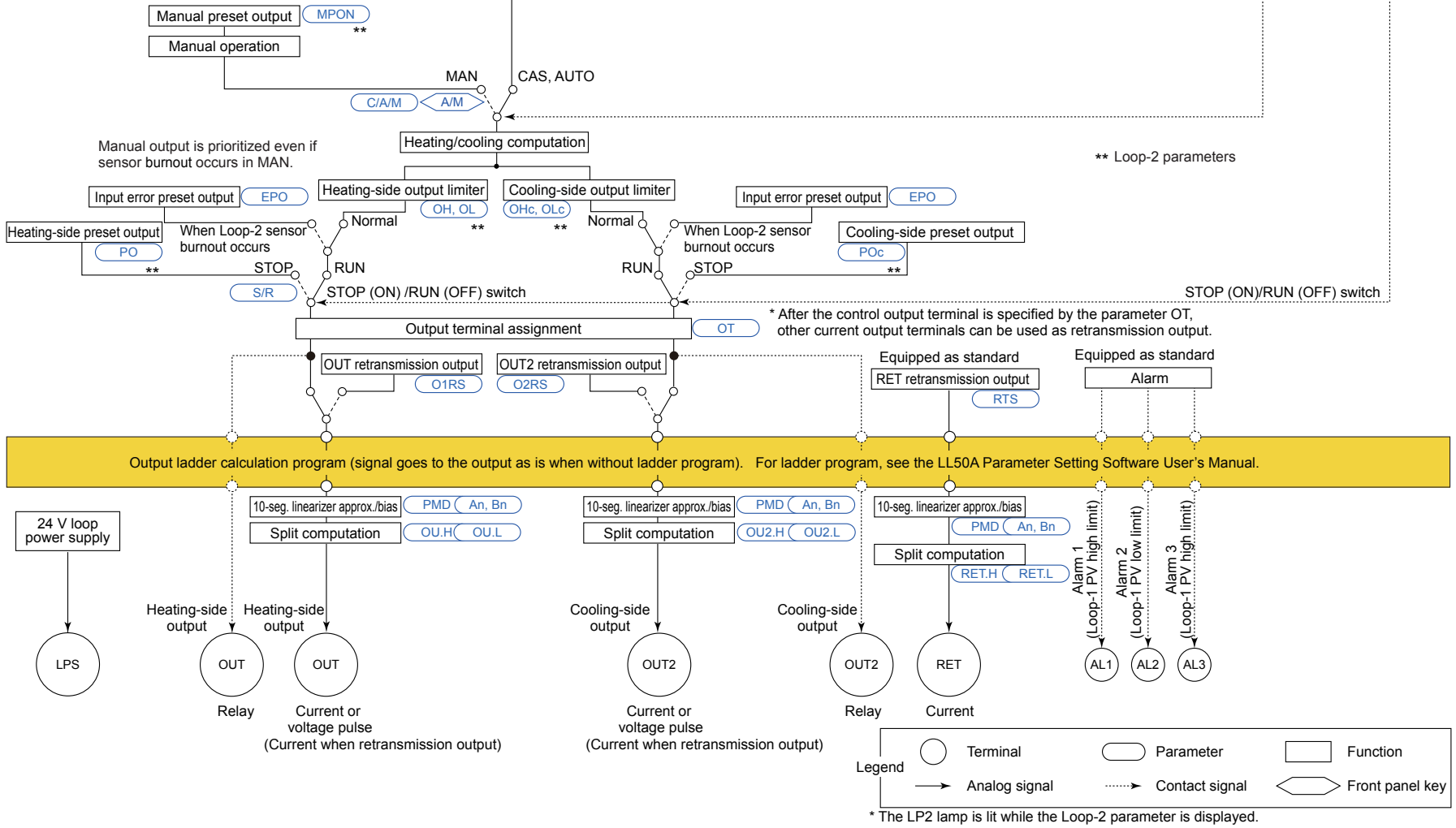
■ Cascade Control Function Block Diagram





■ Cascade Heating/cooling Control Function Block Diagram

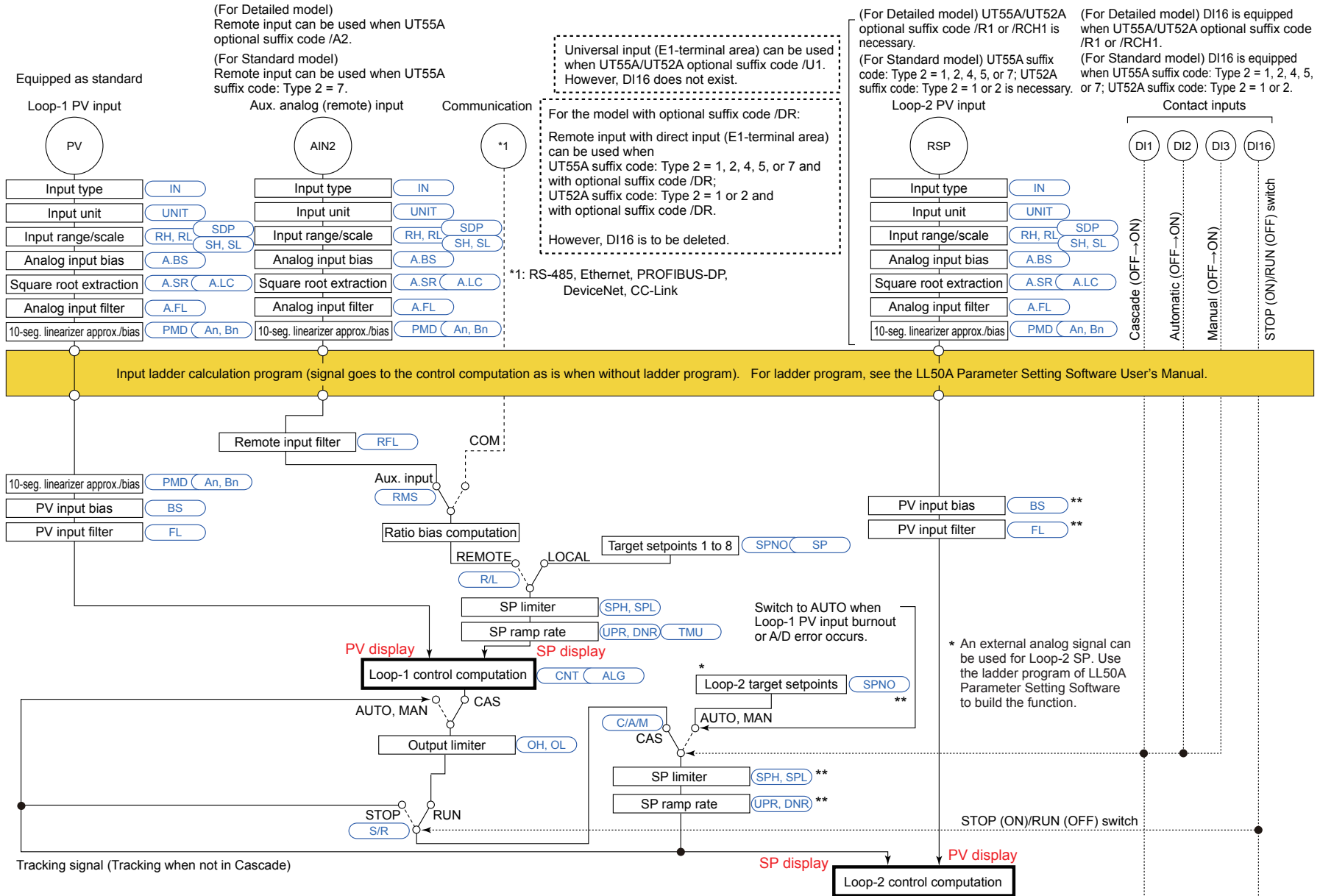


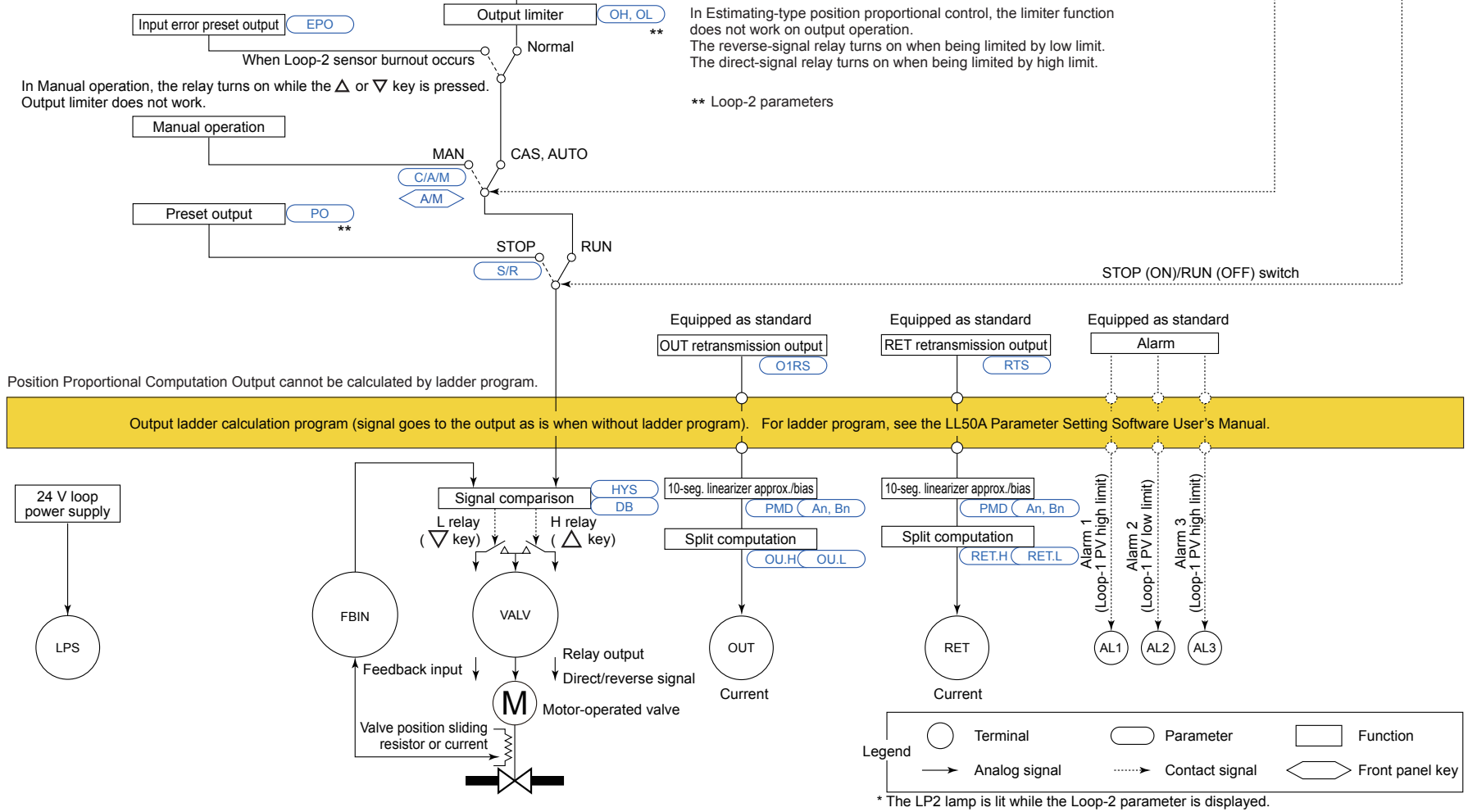


** Loop-2 parameters

* After the control output terminal is specified by the parameter OT, other current output terminals can be used as retransmission output.

■ Cascade Position Proportional Control Function Block Diagram





8.1 Setting Control Mode (CTLM)

Intentionally blank

8.1.5 Loop Control for Backup, Heating/cooling Loop Control for Backup, and Position Proportional Loop Control for Backup

Setting Details

Parameter symbol	Name	Display level	Setting range	Menu symbol
CTLM	Control mode	STD	SGL: Single-loop control CAS1: Cascade primary-loop control CAS2: Cascade secondary-loop control CAS: Cascade control BUM: Loop control for backup PVSW: Loop control with PV switching PVSEL: Loop control with PV auto-selector PVHD: Loop control with PV-hold function	CTL Set

CAUTION

- Some parameters will be initialized if the control mode (CTLM) is changed.
- When using the ladder program, the control mode cannot be changed.

For models with the /MDL option, configure using the LL50A Parameter Setting Software (sold separately) or through communication.

Description

These control modes allow control in connection with host control equipment (such as another controller or programmable controller (PLC)).

Normally, the value received from the host control equipment is output as-is.

If a FAIL signal is received from the host control equipment, the computation result of the UTAdvanced controller is output.

Loop control for backup can be used for Standard type or Heating/cooling type controller. Heating/cooling loop control for backup can be used for Heating/cooling type controller. Position proportional loop control for backup can be used for Position proportional type controller.

▶ [PID control and Heating/cooling control: 8.2 Setting Control Type \(CNT\)](#)

Up to four 10-segment linearizer approximation/10-segment linearizer biases can be used for the input unit or output unit.

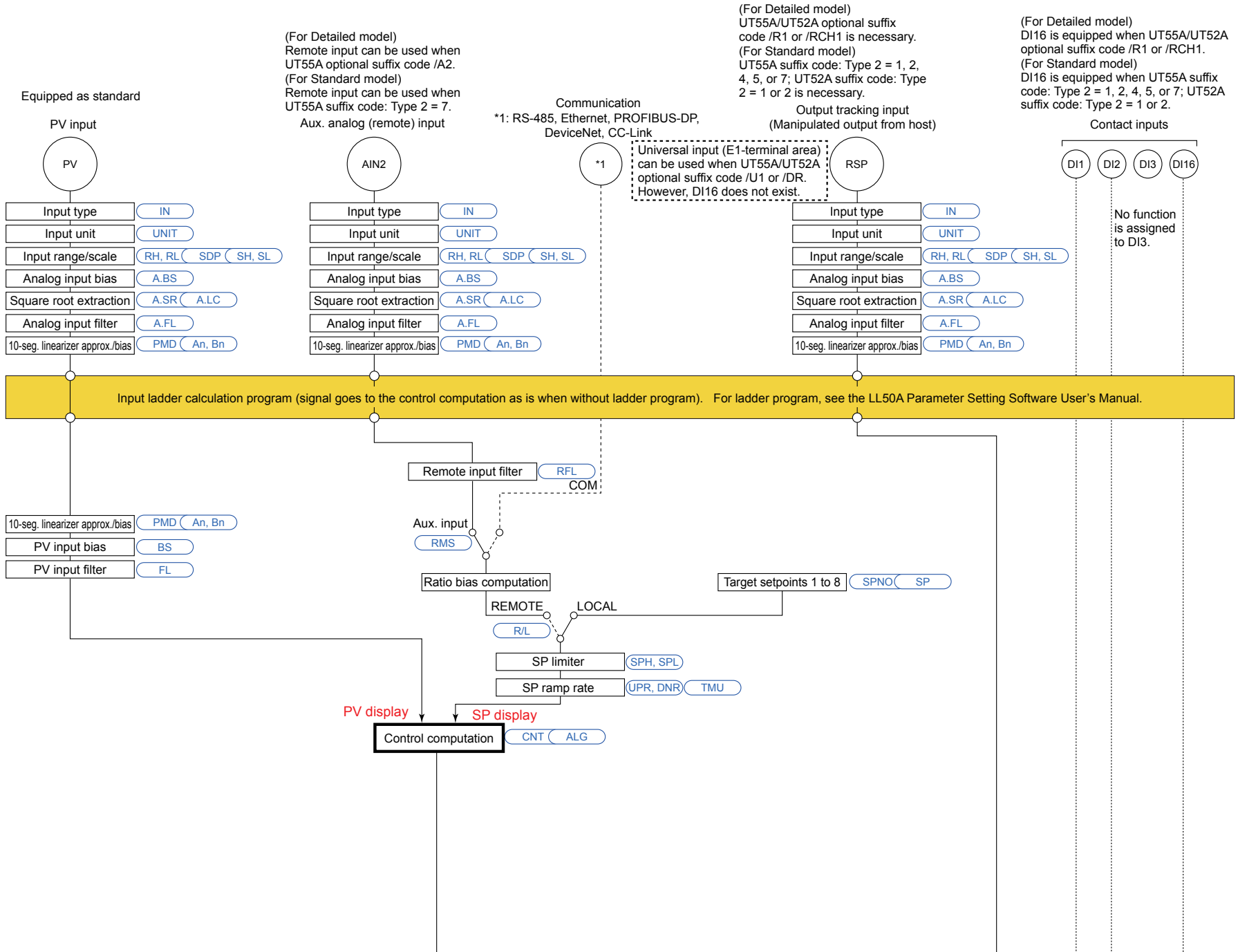
The Function block diagram describes only the basic functions.

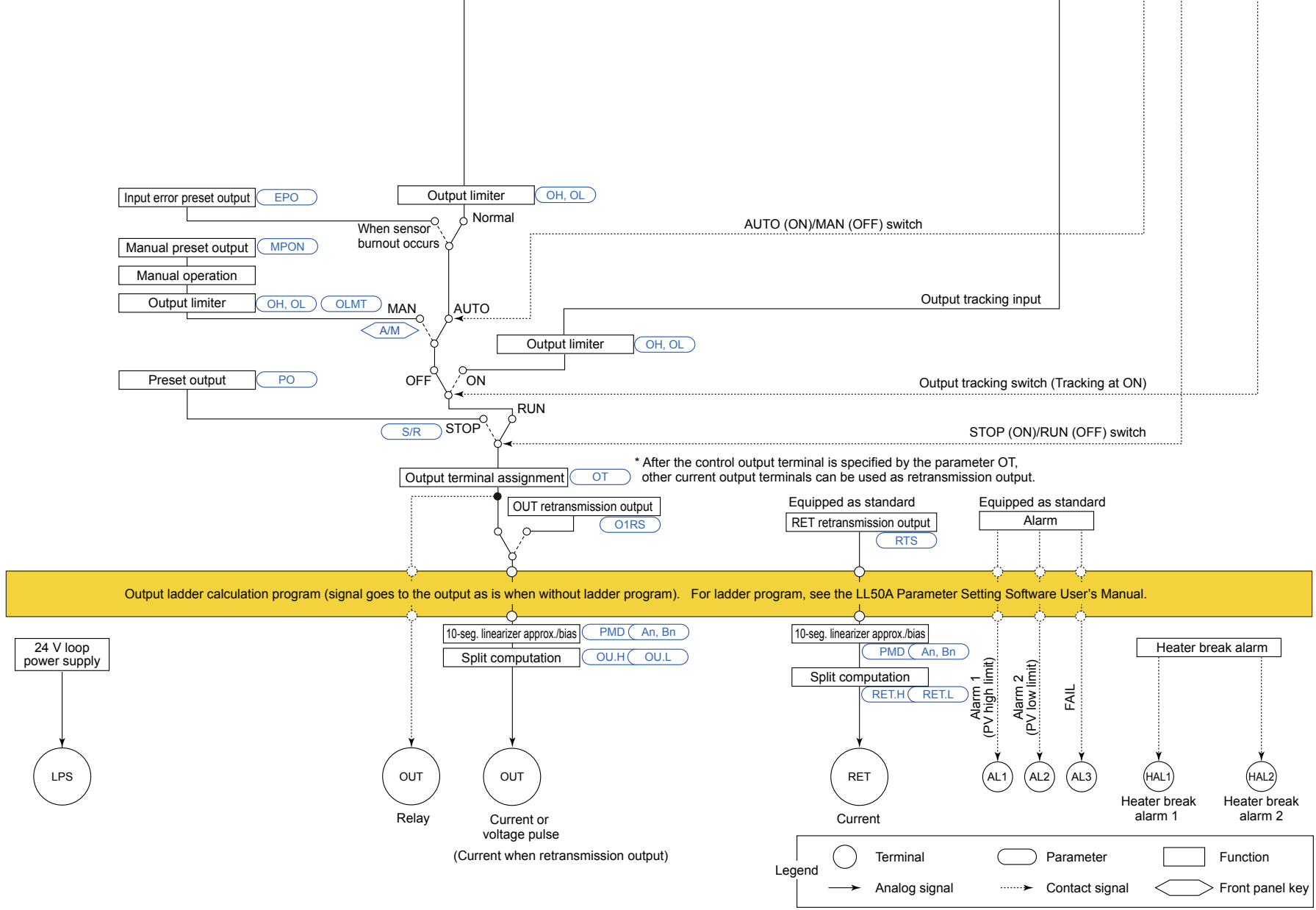
Parameter symbols in the Function block diagram describe representative parameters.

For the functions and parameters which are not described in Function block diagram, see the following.

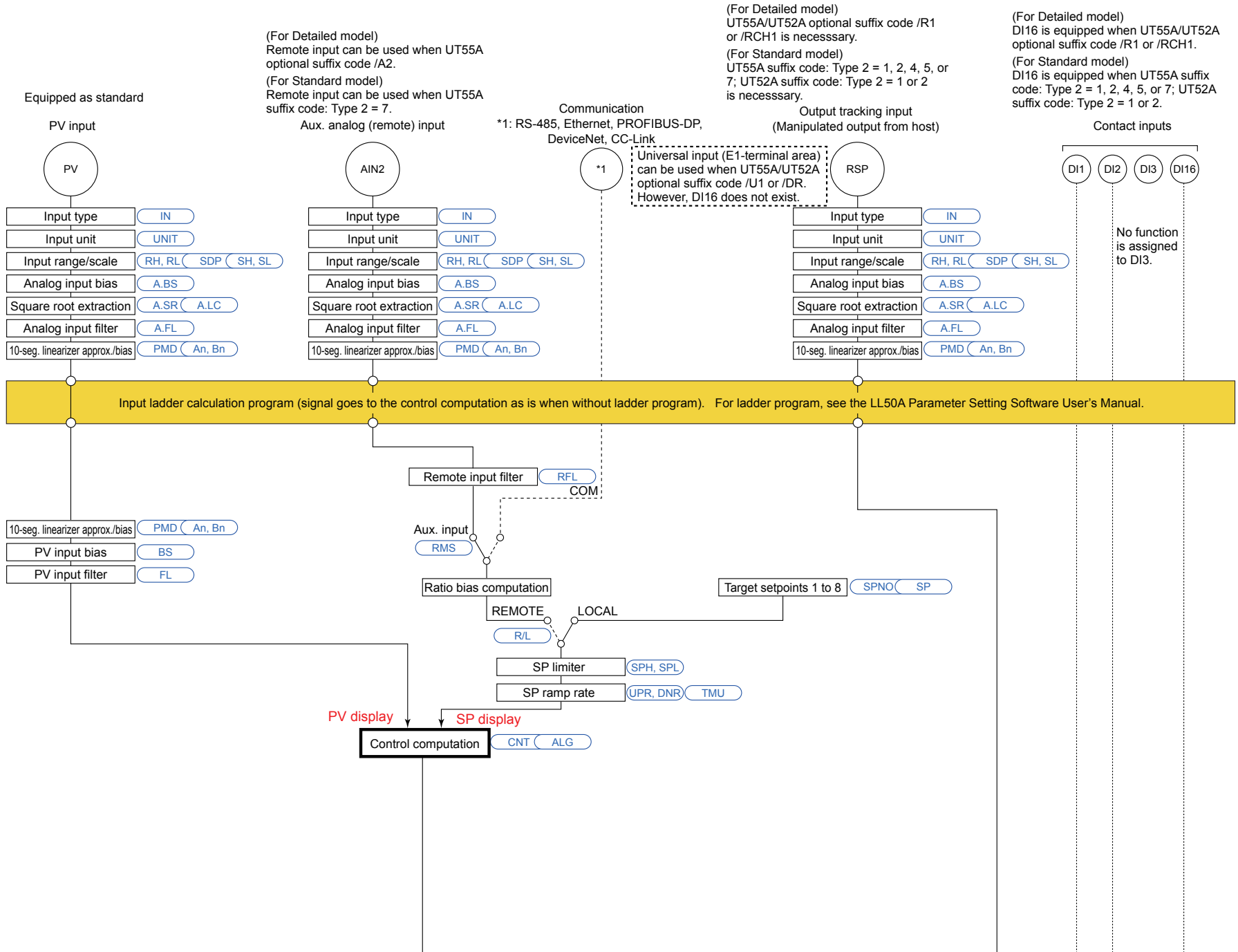
- ▶ [Contact input assignment: 12.1 Setting Contact Input Function](#)
- ▶ [Contact output assignment: 12.2 Setting Contact Output Function](#)
- ▶ [Contact output assignment to retransmission output terminal: 10.1 Setting Control Output Type](#)
- ▶ [Analog output range change: 10.14 Changing Current Output Range](#)

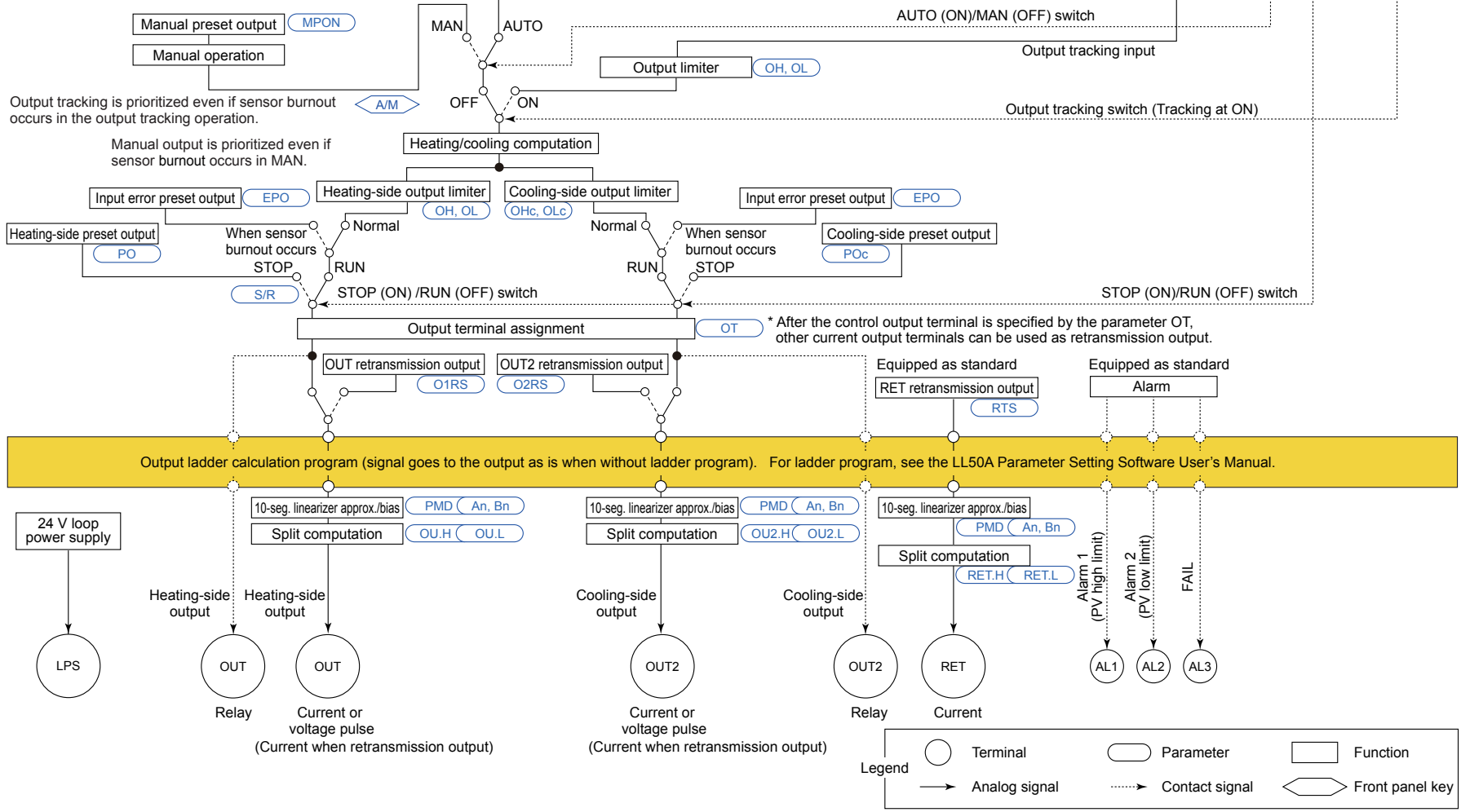
Loop Control for Backup Function Block Diagram



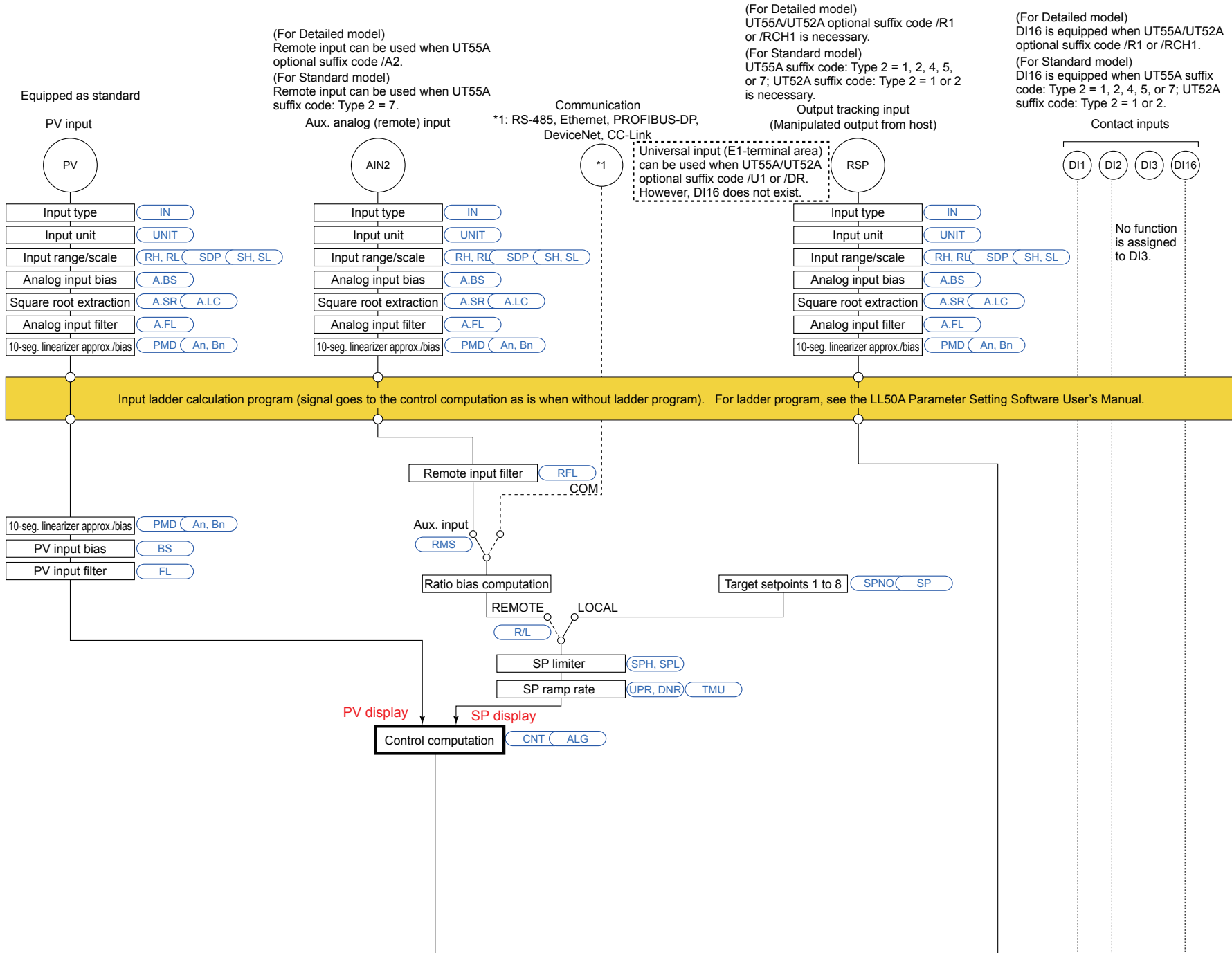


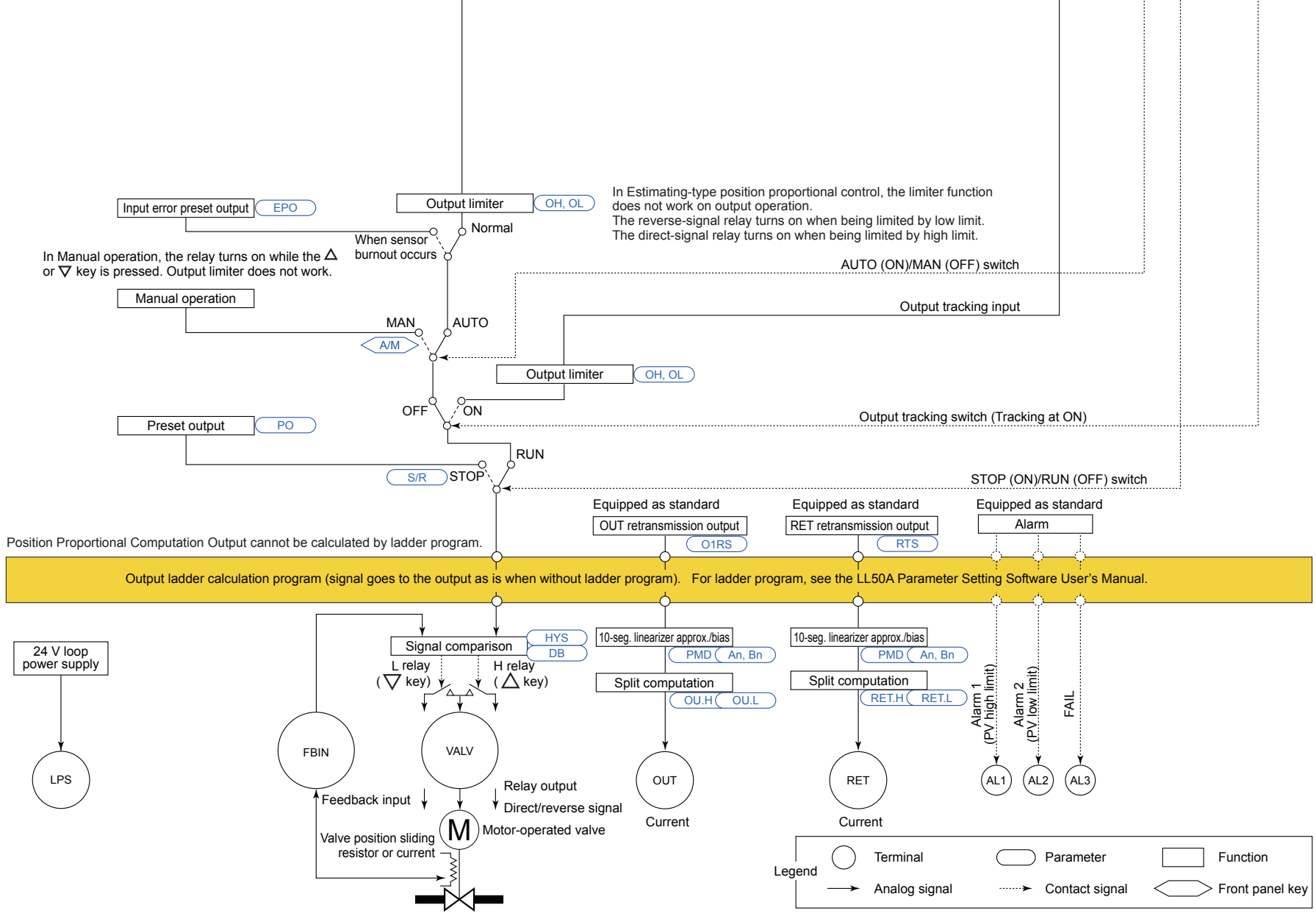
■ Heating/cooling Loop Control for Backup Function Block Diagram





■ Position Proportional Loop Control for Backup Function Block Diagram





8.1 Setting Control Mode (CTLM)

Intentionally blank

8.1.6 Loop Control with PV Switching, Heating/cooling Loop Control with PV Switching, and Position Proportional Loop Control with PV Switching

Setting Details

Parameter symbol	Name	Display level	Setting range	Menu symbol
CTLM	Control mode	STD	SGL: Single-loop control CAS1: Cascade primary-loop control CAS2: Cascade secondary-loop control CAS: Cascade control BUM: Loop control for backup PVSW: Loop control with PV switching PVSEL: Loop control with PV auto-selector PVHD: Loop control with PV-hold function	CTL Set

CAUTION

- Some parameters will be initialized if the control mode (CTLM) is changed.
- When using the ladder program, the control mode cannot be changed.

For models with the /MDL option, configure using the LL50A Parameter Setting Software (sold separately) or through communication.

Description

These control modes use two PV inputs, which are switched according to input contact signals or measurement ranges.

Loop control with PV switching can be used for Standard type or Heating/cooling type controller.

Heating/cooling loop control with PV switching can be used for Heating/cooling type controller.

Position proportional loop control with PV switching can be used for Position proportional type controller.

▶ [PID control and Heating/cooling control: 8.2 Setting Control Type \(CNT\)](#)

Description about Loop control with PV switching

▶ [PV range: 7.6 Adjusting PV Range for Loop Control with PV Switching](#)

▶ [Switching action: 7.7 Setting PV Switching Methods of Loop Control with PV Switching](#)

Up to four 10-segment linearizer approximation/10-segment linearizer biases can be used for the input unit or output unit.

The Function block diagram describes only the basic functions.

Parameter symbols in the Function block diagram describe representative parameters.

For the functions and parameters which are not described in Function block diagram, see the following.

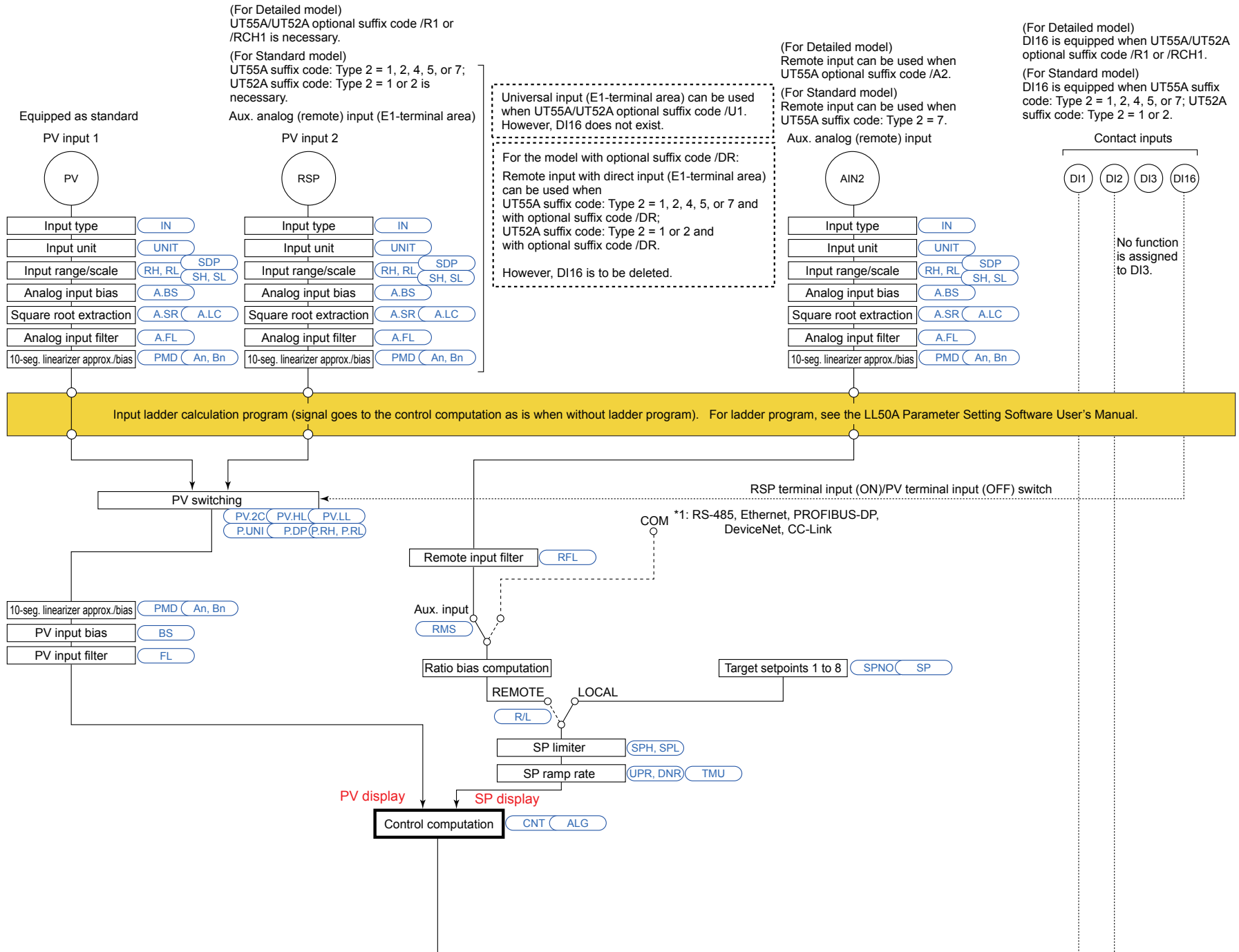
▶ [Contact input assignment: 12.1 Setting Contact Input Function](#)

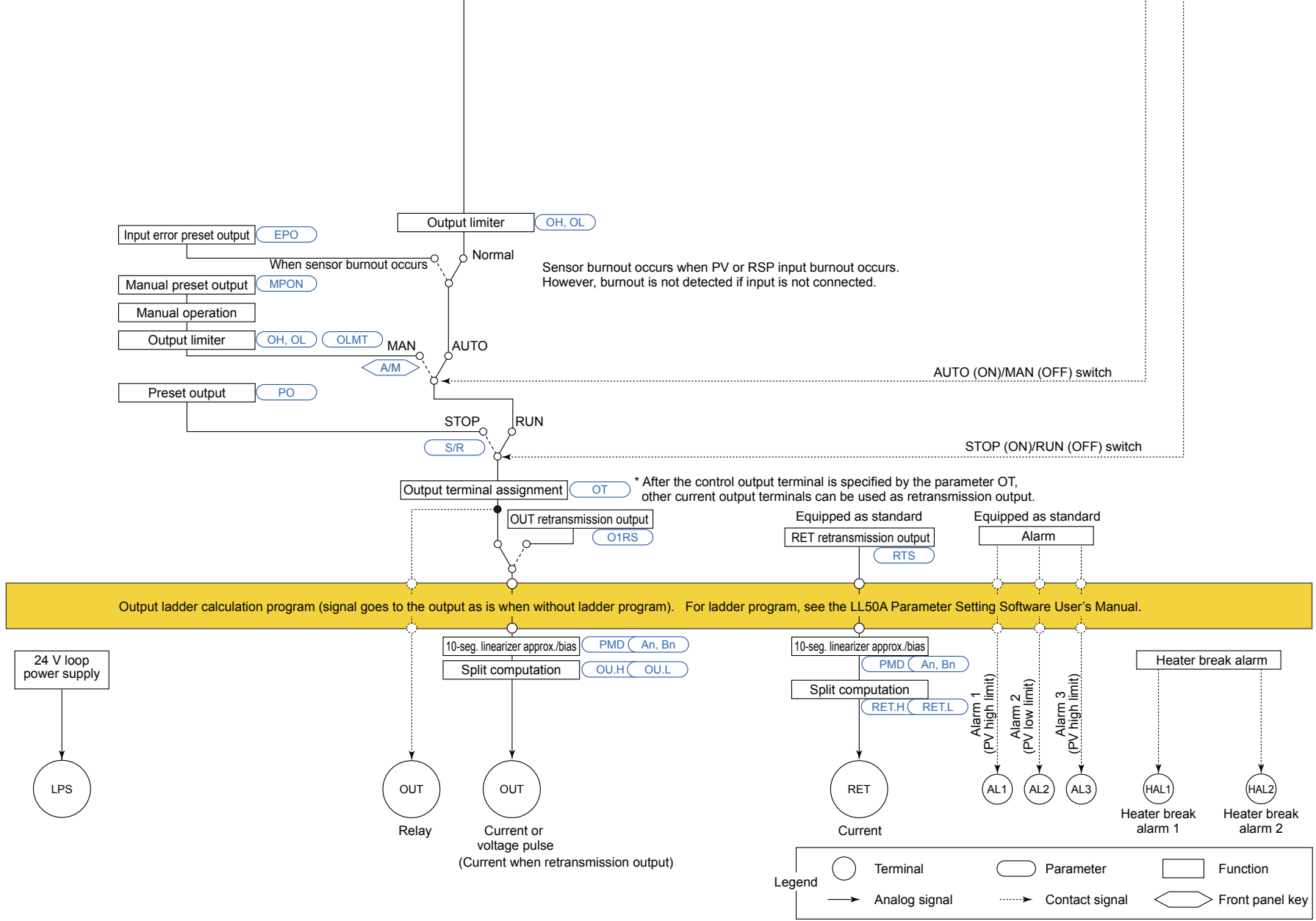
▶ [Contact output assignment: 12.2 Setting Contact Output Function](#)

▶ [Contact output assignment to retransmission output terminal: 10.1 Setting Control Output Type](#)

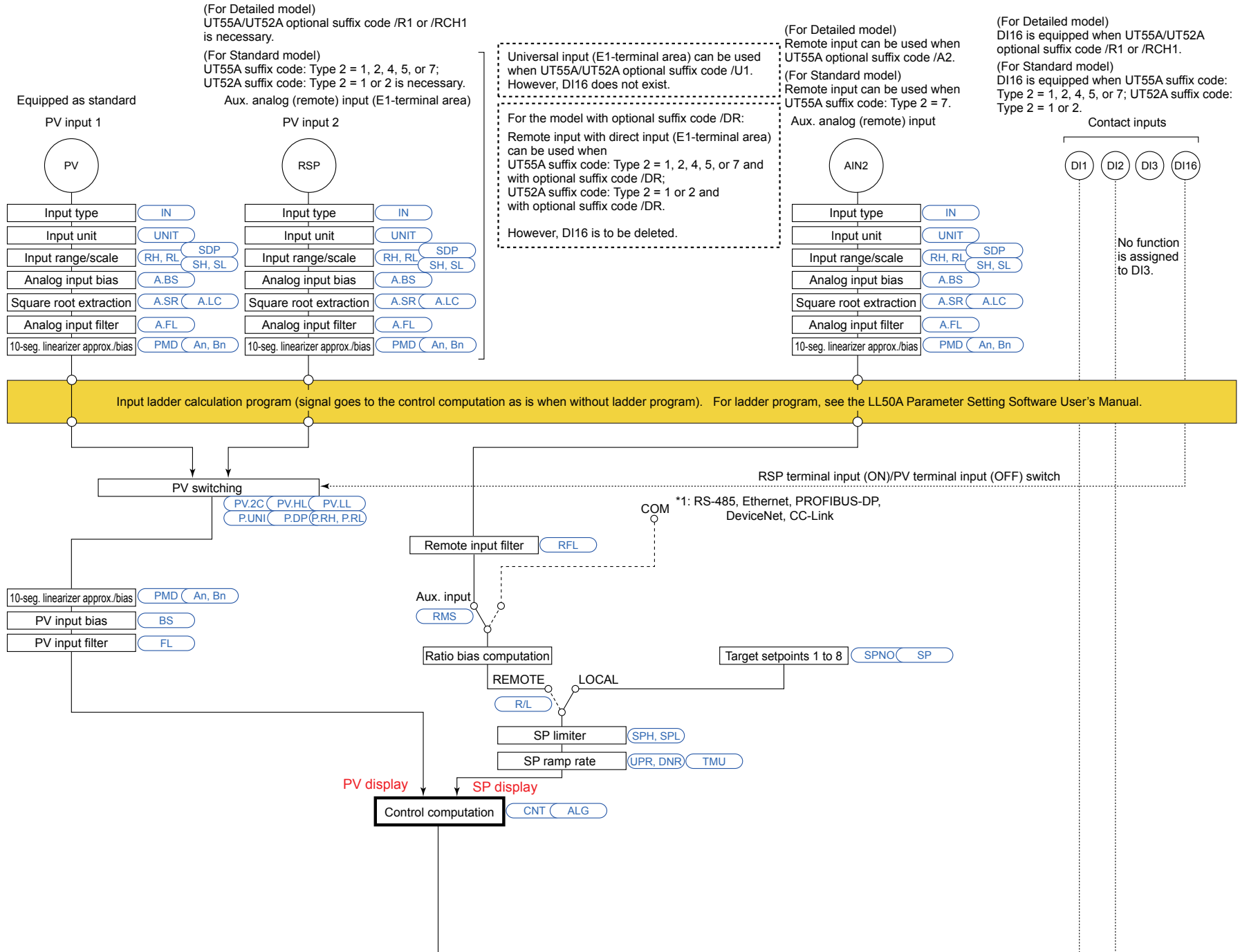
▶ [Analog output range change: 10.14 Changing Current Output Range](#)

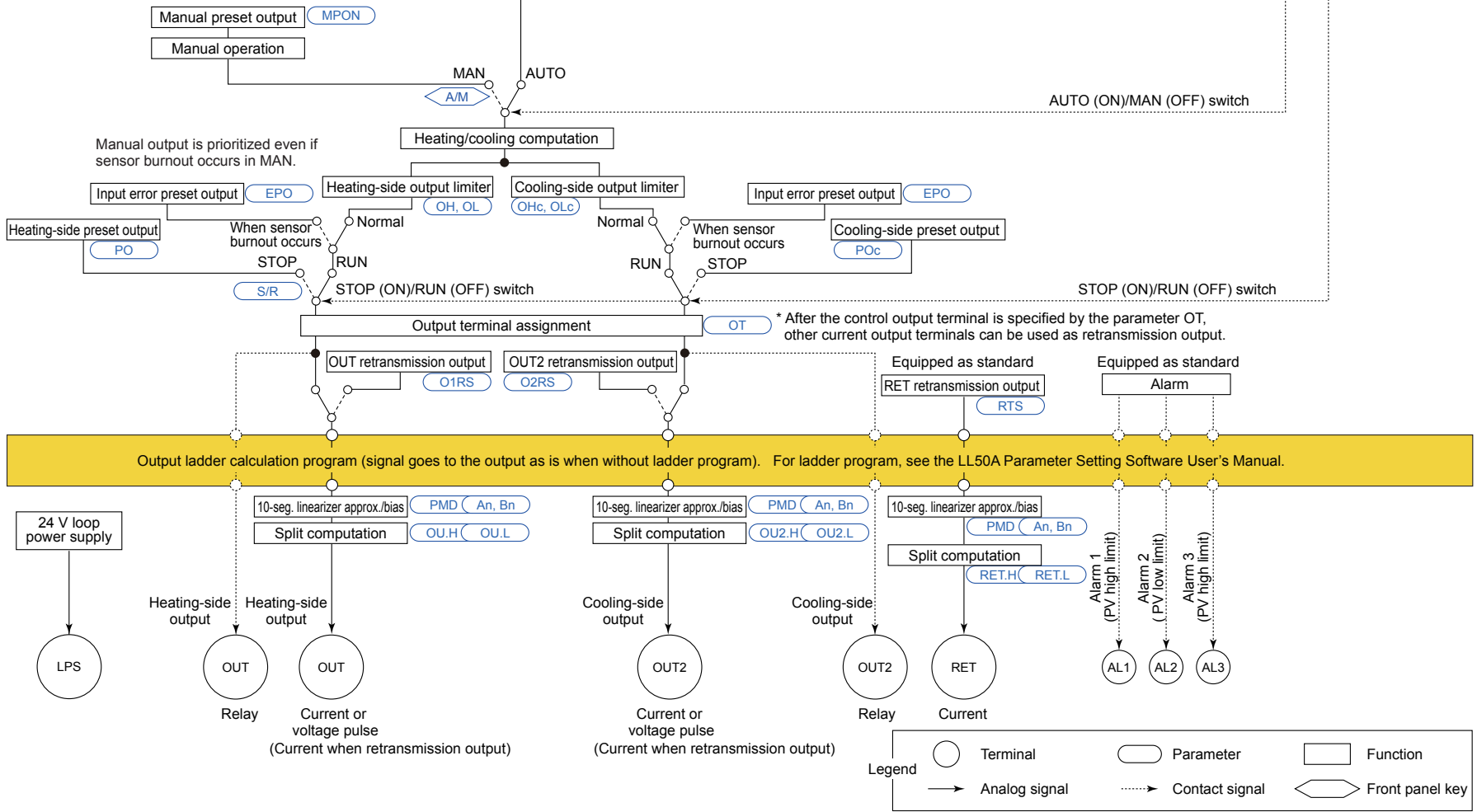
Loop Control with PV Switching Function Block Diagram



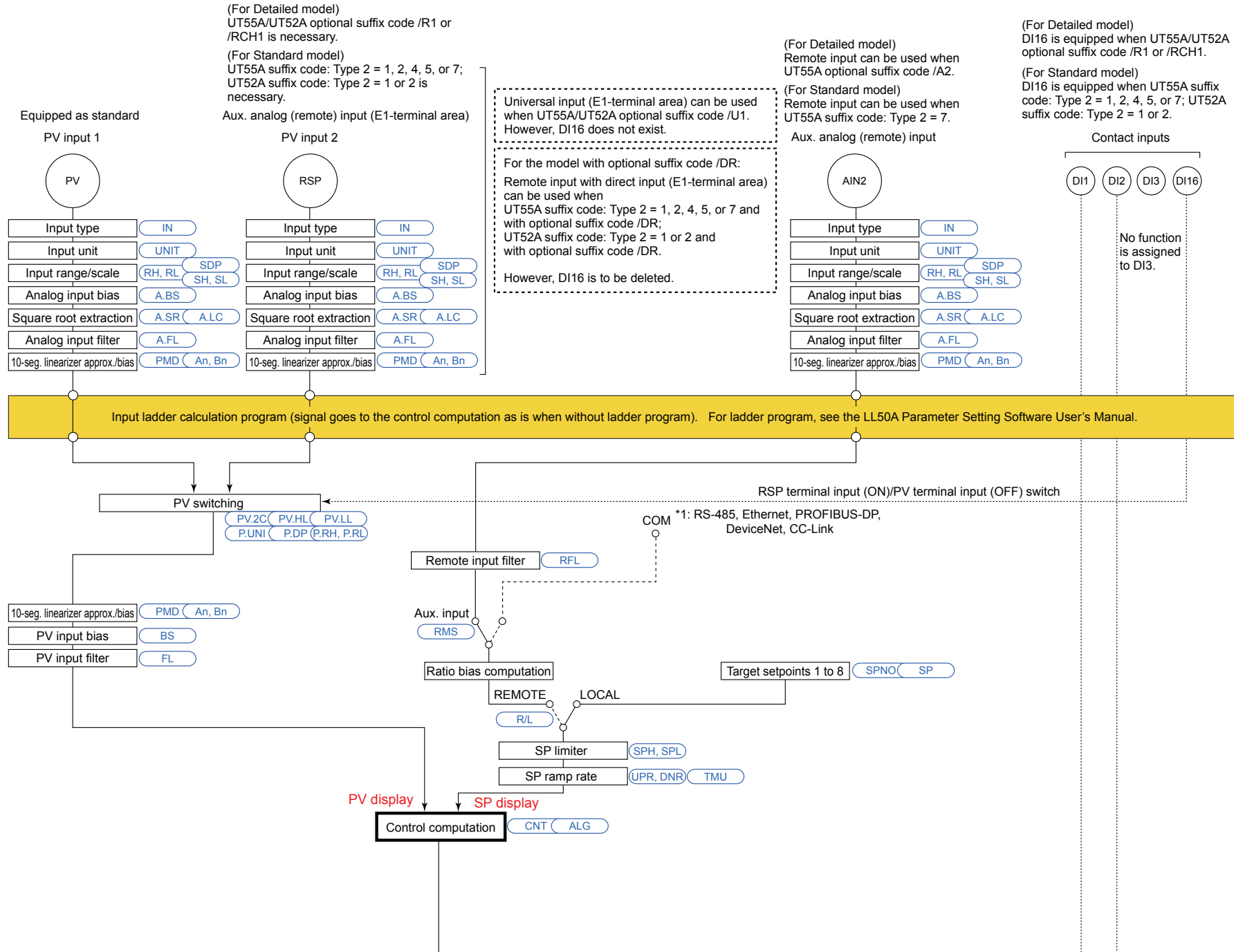


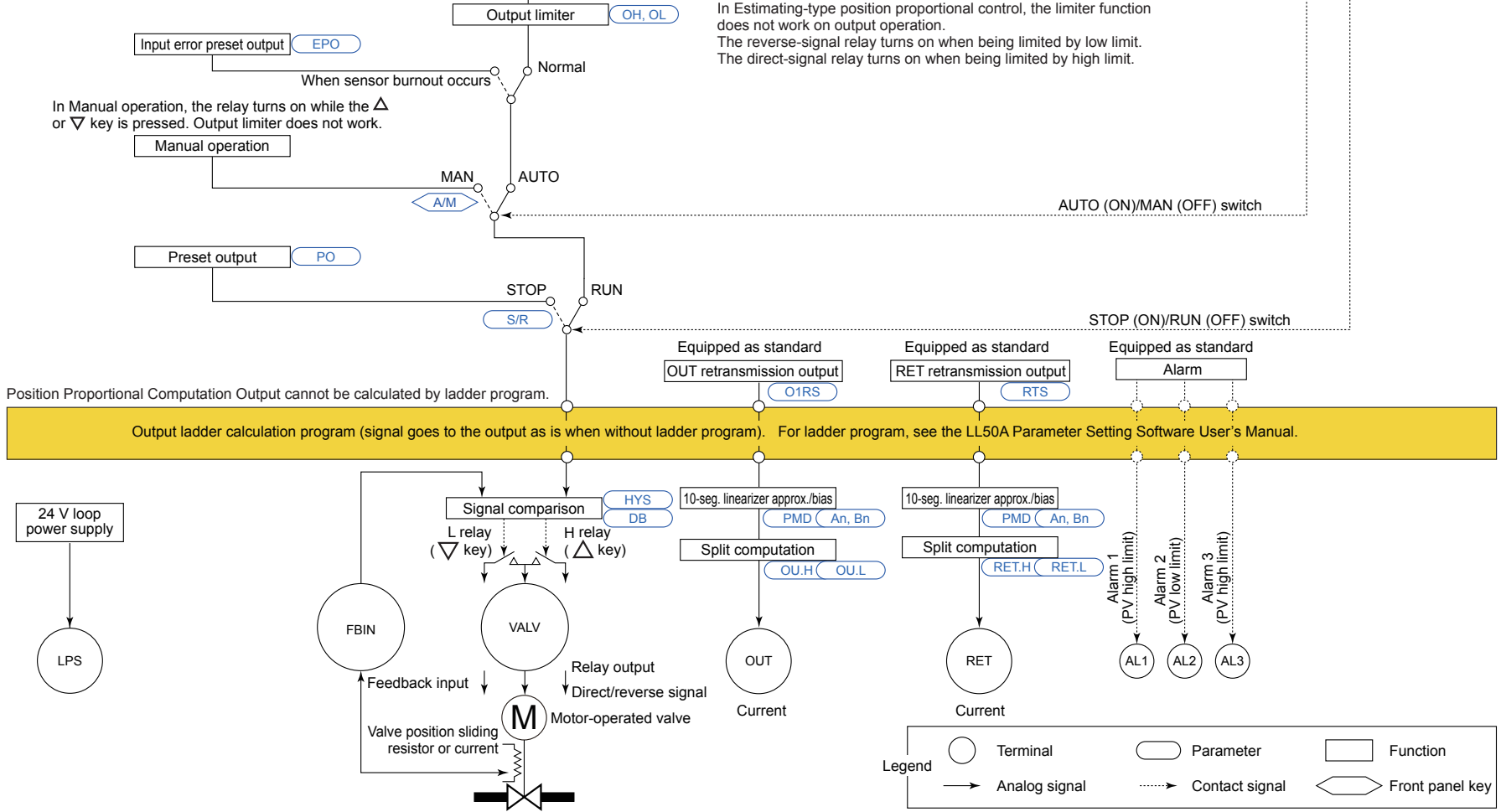
■ Heating/cooling Loop Control with PV Switching Function Block Diagram





■ Position Proportional Loop Control with PV Switching Function Block Diagram





8.1 Setting Control Mode (CTLM)

Intentionally blank

8.1.7 Loop Control with PV Auto-selector, Heating/cooling Loop Control with PV Auto-selector, and Position Proportional Loop Control with PV Auto-selector

Setting Details

Parameter symbol	Name	Display level	Setting range	Menu symbol
CTLM	Control mode	STD	SGL: Single-loop control CAS1: Cascade primary-loop control CAS2: Cascade secondary-loop control CAS: Cascade control BUM: Loop control for backup PVSW: Loop control with PV switching PVSEL: Loop control with PV auto-selector PVHD: Loop control with PV-hold function	CTL Set

CAUTION

- Some parameters will be initialized if the control mode (CTLM) is changed.
- When using the ladder program, the control mode cannot be changed.

For models with the /MDL option, configure using the LL50A Parameter Setting Software (sold separately) or through communication.

Description

These control modes automatically select or calculate the larger, the smaller, the average, or difference of multiple (two to four) PV inputs for control.

Loop control with PV auto-selector can be used for Standard type or Heating/cooling type controller.

Heating/cooling loop control with auto-selector can be used for Heating/cooling type controller.

Position proportional loop control with auto-selector can be used for Position proportional type controller.

▶ [PID control and Heating/cooling control: 8.2 Setting Control Type \(CNT\)](#)

Description about Loop control with PV auto-selector

▶ [Input selection: 7.4 Using Larger, Smaller, Average, or Difference of Two to Four Inputs as PV](#)

Up to four 10-segment linearizer approximation/10-segment linearizer biases can be used for the input unit or output unit.

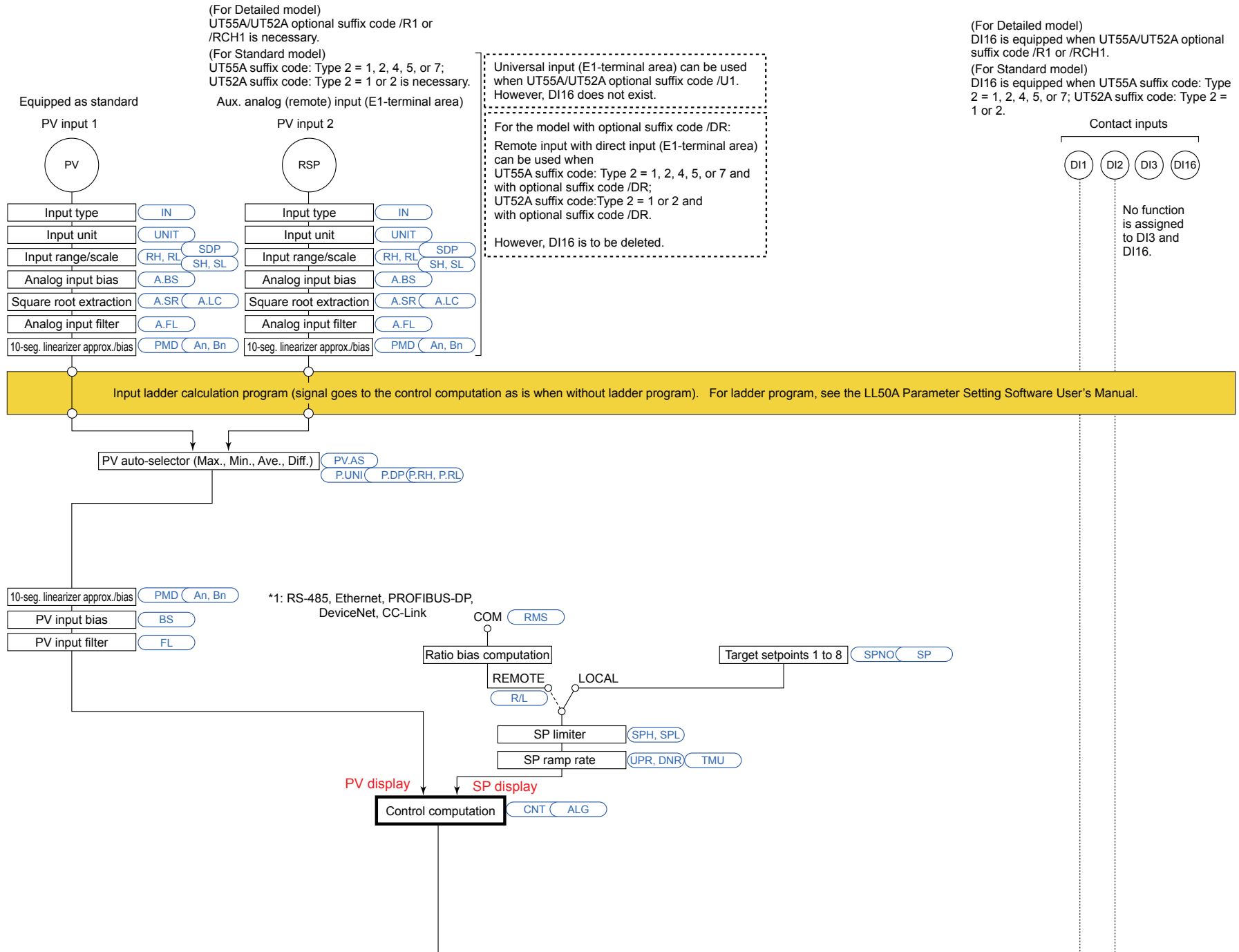
The Function block diagram describes only the basic functions.

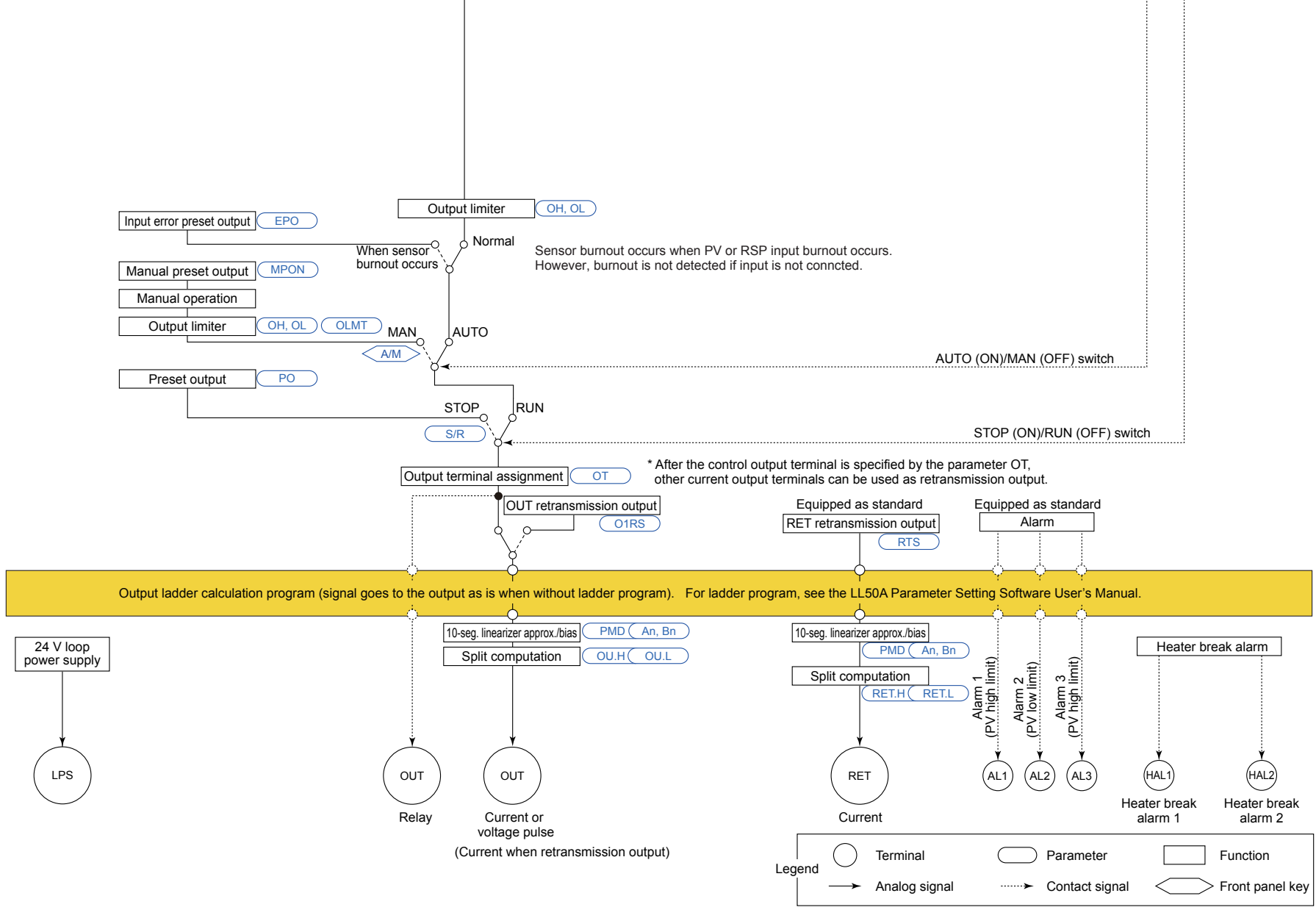
Parameter symbols in the Function block diagram describe representative parameters.

For the functions and parameters which are not described in Function block diagram, see the following.

- ▶ [Contact input assignment: 12.1 Setting Contact Input Function](#)
- ▶ [Contact output assignment: 12.2 Setting Contact Output Function](#)
- ▶ [Contact output assignment to retransmission output terminal: 10.1 Setting Control Output Type](#)
- ▶ [Analog output range change: 10.14 Changing Current Output Range](#)

Loop Control with PV Auto-selector (2 inputs) Function Block Diagram



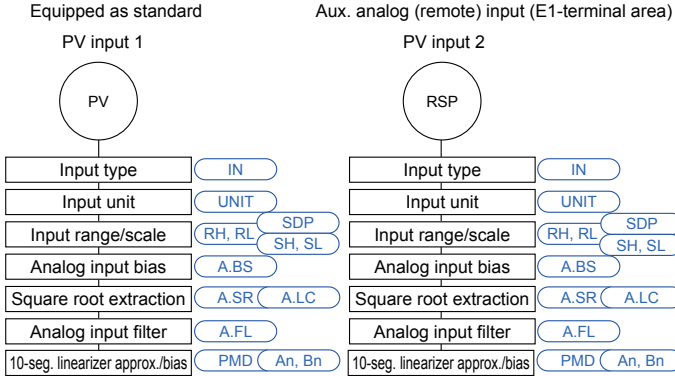


■ Heating/cooling Loop Control with PV Auto-selector (2 inputs) Function Block Diagram

(For Detailed model)
 UT55A/UT52A optional suffix code /R1 or /RCH1 is necessary.

(For Standard model)
 UT55A suffix code: Type 2 = 1, 2, 4, 5, or 7;
 UT52A suffix code: Type 2 = 1 or 2 is necessary.

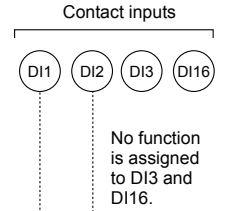
Aux. analog (remote) input (E1-terminal area)



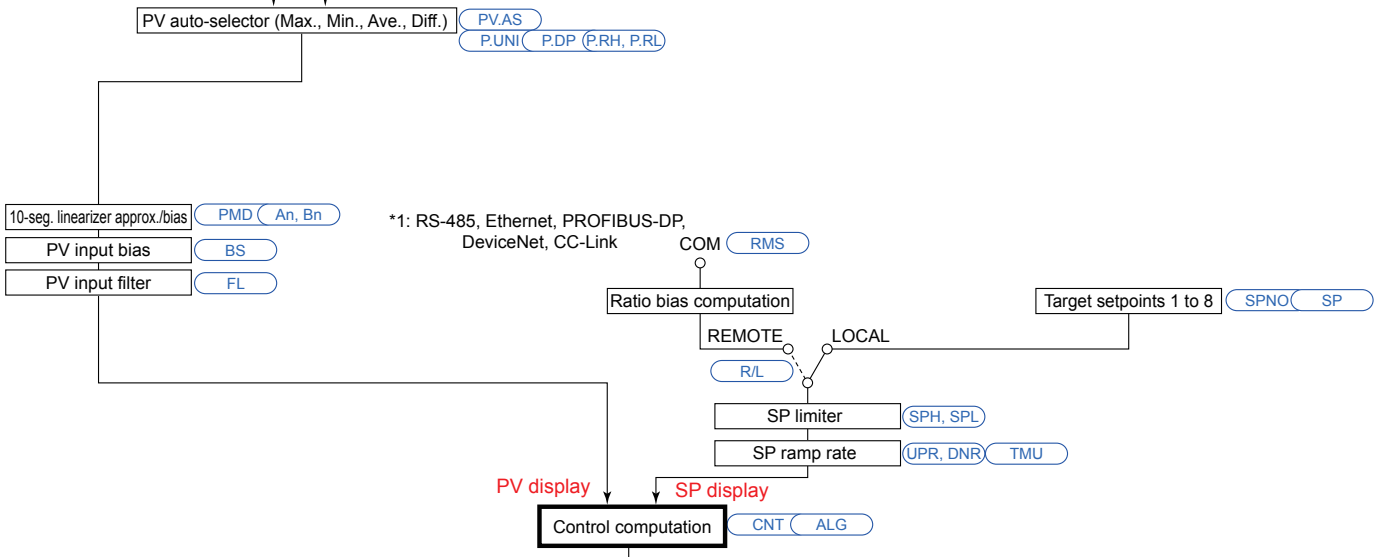
Universal input (E1-terminal area) can be used when UT55A/UT52A optional suffix code /U1. However, DI16 does not exist.

For the model with optional suffix code /DR: Remote input with direct input (E1-terminal area) can be used when UT55A suffix code: Type 2 = 1, 2, 4, 5, or 7 and with optional suffix code /DR; UT52A suffix code: Type 2 = 1 or 2 and with optional suffix code /DR. However, DI16 is to be deleted.

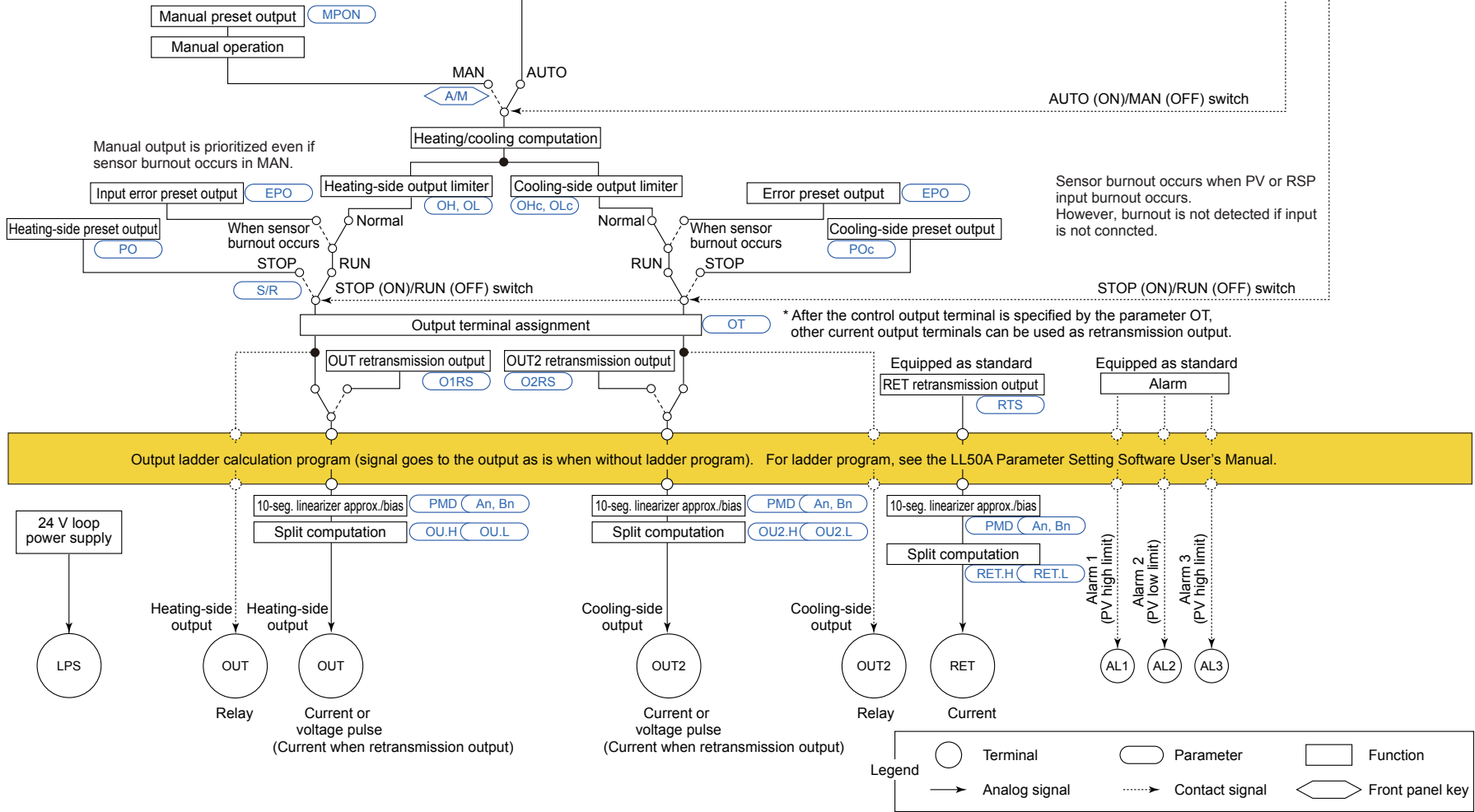
(For Detailed model)
 DI16 is equipped when UT55A/UT52A optional suffix code /R1 or /RCH1.
 (For Standard model)
 DI16 is equipped when UT55A suffix code: Type 2 = 1, 2, 4, 5, or 7; UT52A suffix code: Type 2 = 1 or 2.



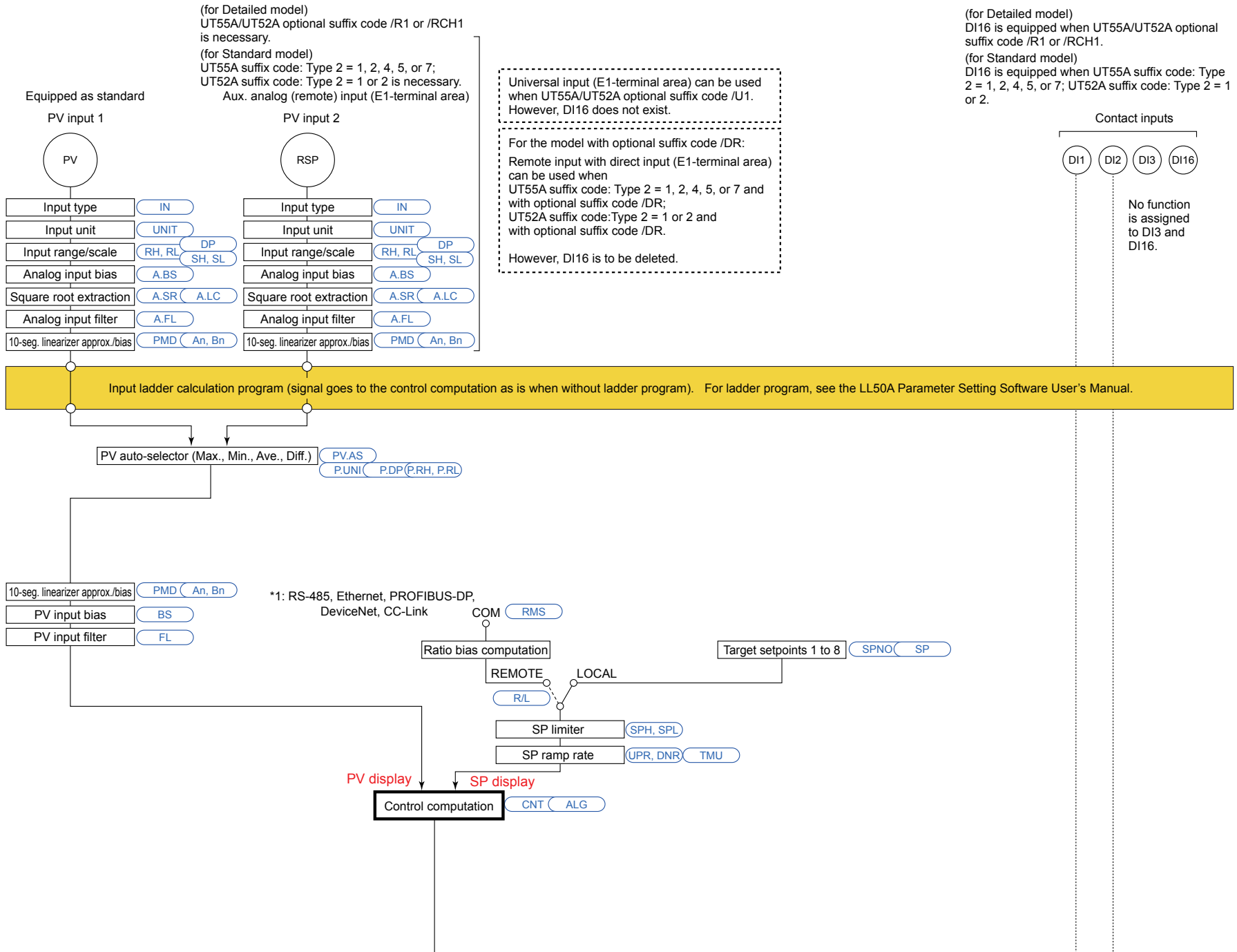
Input ladder calculation program (signal goes to the control computation as is when without ladder program). For ladder program, see the LL50A Parameter Setting Software User's Manual.

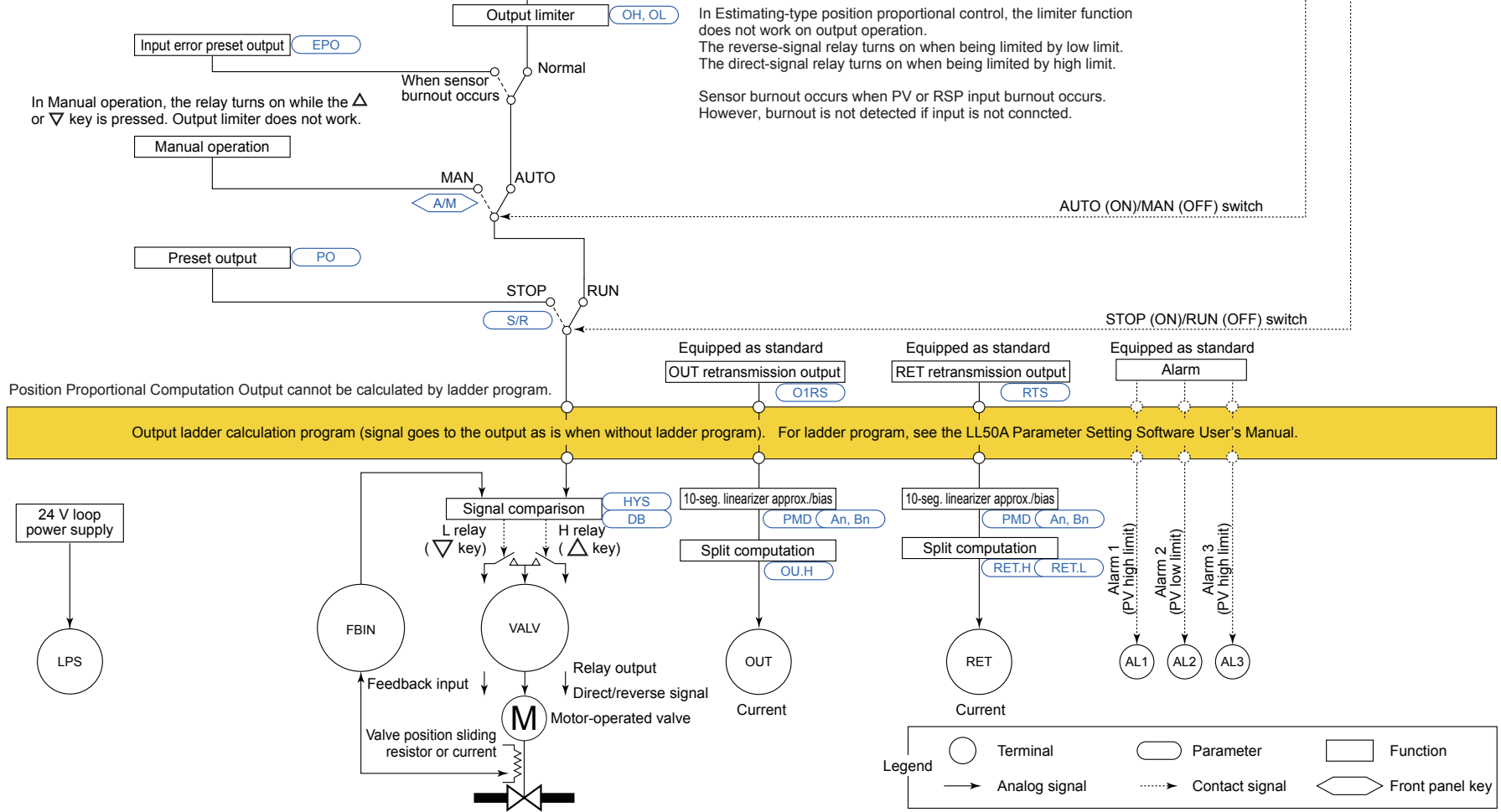


*1: RS-485, Ethernet, PROFIBUS-DP, DeviceNet, CC-Link



Position Proportional Loop Control with PV Auto-selector (2 inputs) Function Block Diagram





Loop Control with PV Auto-selector (4 inputs) Function Block Diagram (only for UT55A)

(For Detailed model) UT55A optional suffix code /R1 is necessary.

Universal input (E1-terminal area) can be used when UT55A optional suffix code /U1. However, DI16 does not exist.

(For Standard model) UT55A suffix code: Type 2 = 1, 2, 4, 5, or 7 is necessary.

For the model with optional suffix code /DR: Refer to the function block diagram of Loop control with PV auto-selector (2 inputs).

Necessary for Loop control with PV auto-selector for 3 inputs or 4 inputs

(For Detailed model) When UT55A optional suffix code /A2.

(For Standard model) When UT55A suffix code: Type 2 = 7.

(For Detailed model) When UT55A optional suffix code /A4 or /AC4.

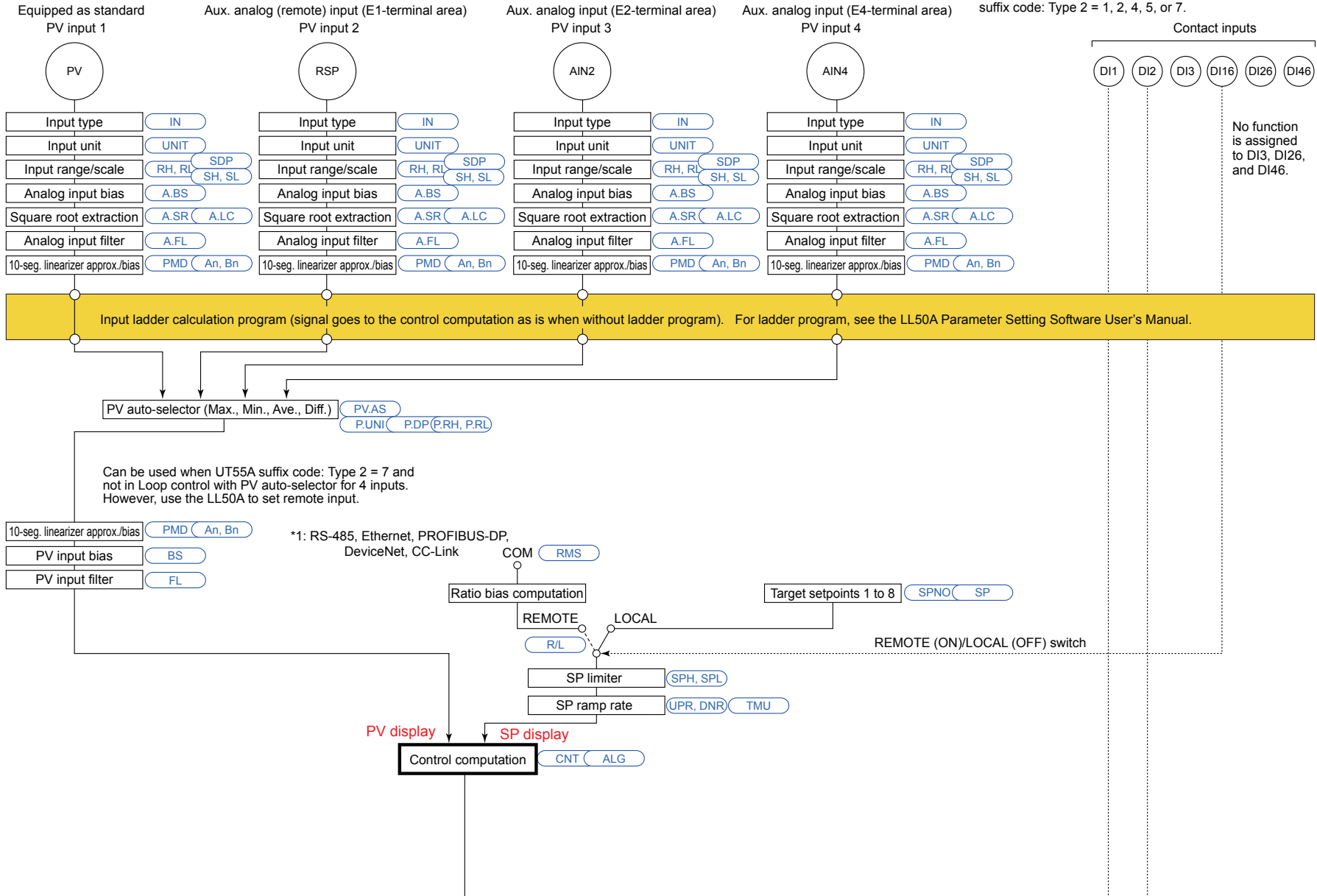
(For Standard model) When UT55A suffix code: Type 2 = 7.

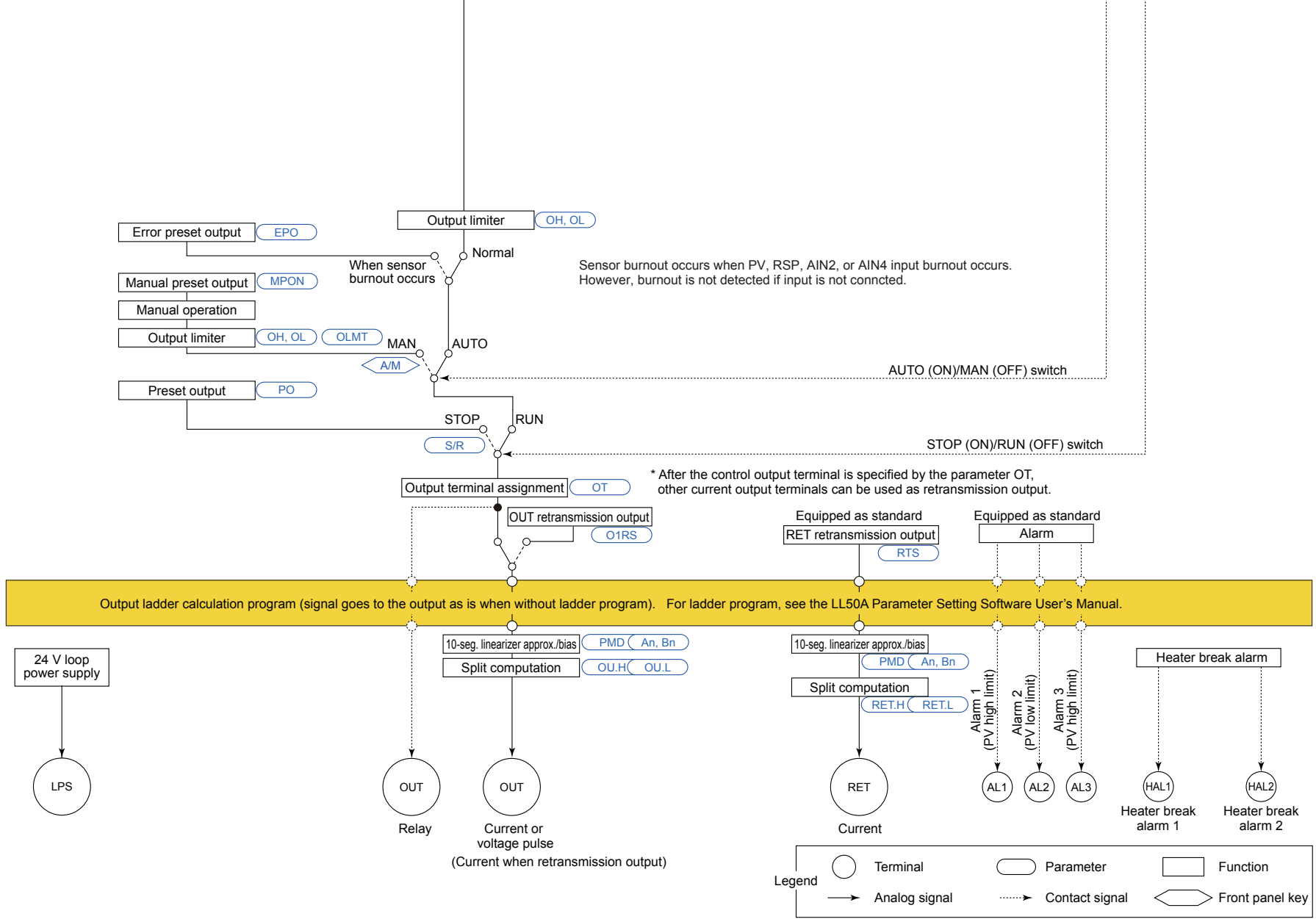
(For Detailed model)

DI16 is equipped when UT55A optional suffix code /R1. DI26 is equipped when UT55A optional suffix code /A2. DI46 is equipped when UT55A optional suffix code /A4 or /AC4.

(For Standard model)

DI16 is equipped when UT55A suffix code: Type 2 = 1, 2, 4, 5, or 7.





■ Heating/cooling Loop Control with PV Auto-selector (4 inputs) Function Block Diagram (only for UT55A)

(For Detailed model) UT55A optional suffix code /R1 is necessary.
 Universal input (E1-terminal area) can be used when UT55A optional suffix code /U1. However, DI16 does not exist.

(For Standard model) UT55A suffix code: Type 2 = 1, 2, 4, 5, or 7 is necessary.

For the model with optional suffix code /DR: Refer to the function block diagram of Loop control with PV auto-selector (2 inputs).

Necessary for Loop control with PV auto-selector for 3 inputs or 4 inputs

(For Detailed model) When UT55A optional suffix code /A2.
 (For Standard model) When UT55A suffix code: Type 2 = 7.

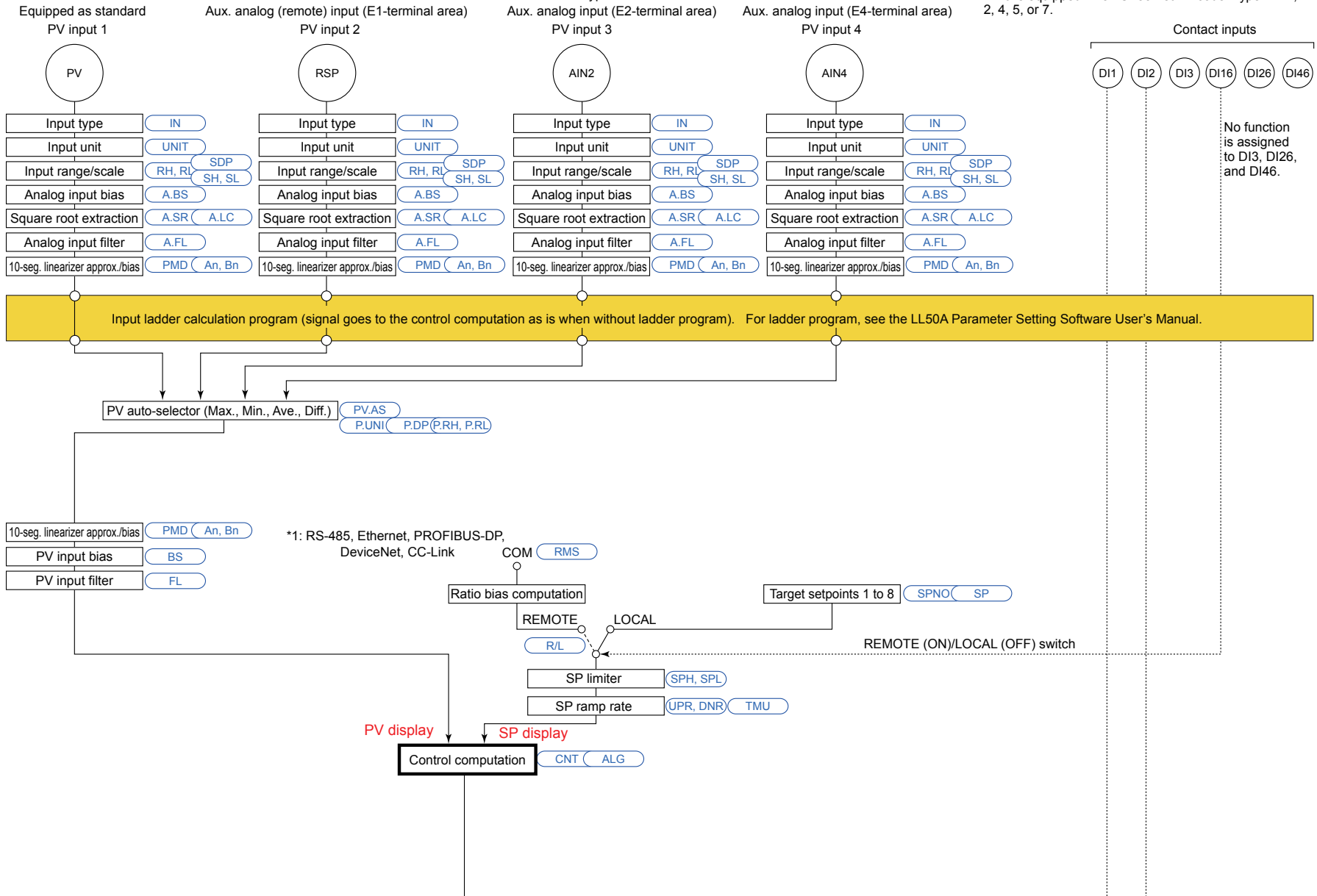
(For Detailed model) When UT55A optional suffix code /A4 or /AC4.
 (For Standard model) When UT55A suffix code: Type 2 = 7.

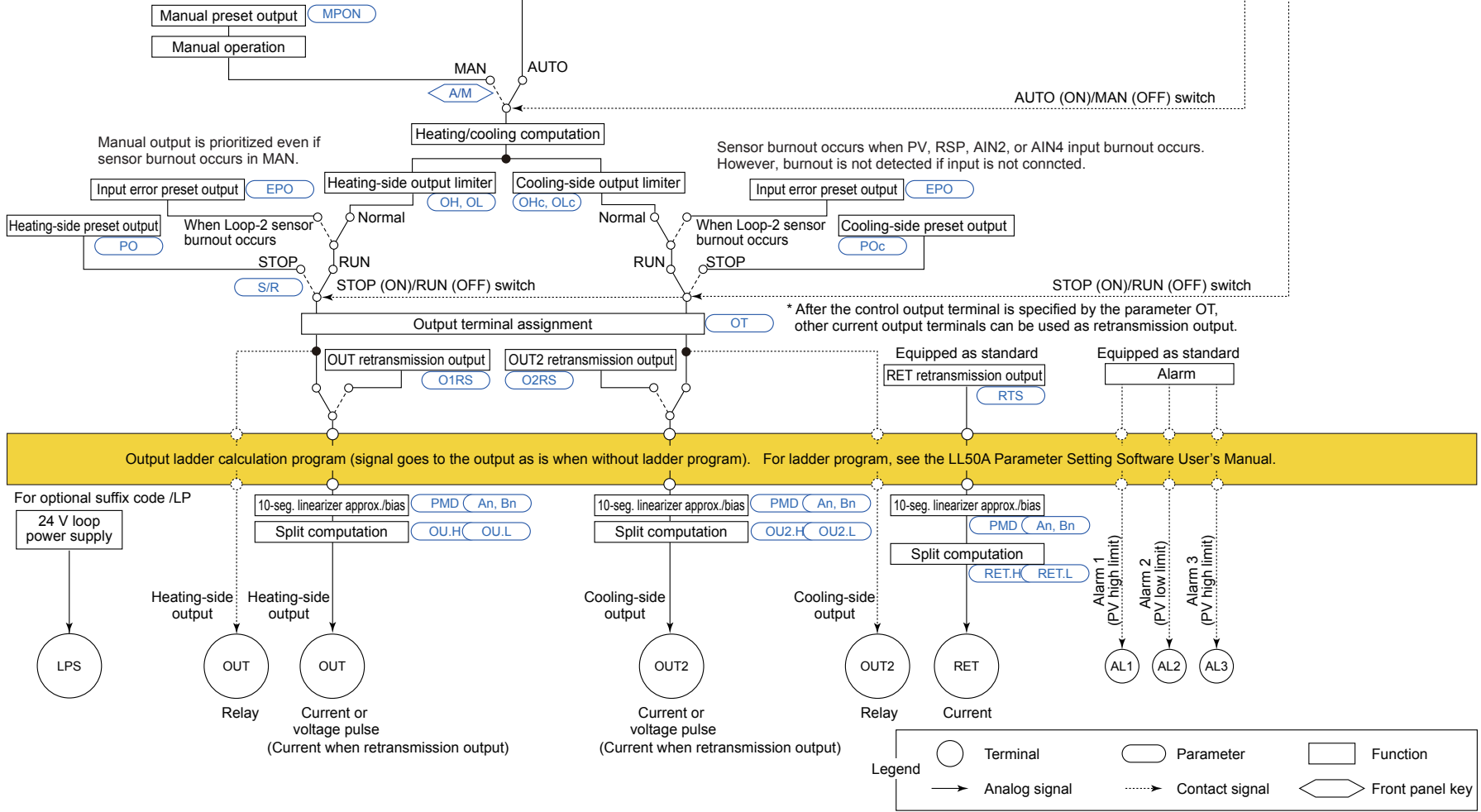
(For Detailed model)

DI16 is equipped when UT55A optional suffix code /R1. DI26 is equipped when UT55A optional suffix code /A2. DI46 is equipped when UT55A optional suffix code /A4 or /AC4.

(For Standard model)

DI16 is equipped when UT55A suffix code: Type 2 = 1, 2, 4, 5, or 7.





■ Position Proportional Loop Control with PV Auto-selector (4 inputs) Function Block Diagram (only for UT55A)

(For Detailed model) UT55A optional suffix code /R1 is necessary.

Universal input (E1-terminal area) can be used when UT55A optional suffix code /U1. However, DI16 does not exist.

(For Standard model) UT55A suffix code: Type 2 = 1, 2, 4, 5, or 7 is necessary.

For the model with optional suffix code /DR: Refer to the function block diagram of Loop control with PV auto-selector (2 inputs).

Necessary for Loop control with PV auto-selector for 3 inputs or 4 inputs

(For Detailed model) When UT55A optional suffix code /A2.

(For Standard model) When UT55A suffix code: Type 2 = 7.

(For Detailed model) When UT55A optional suffix code /A4 or /AC4.

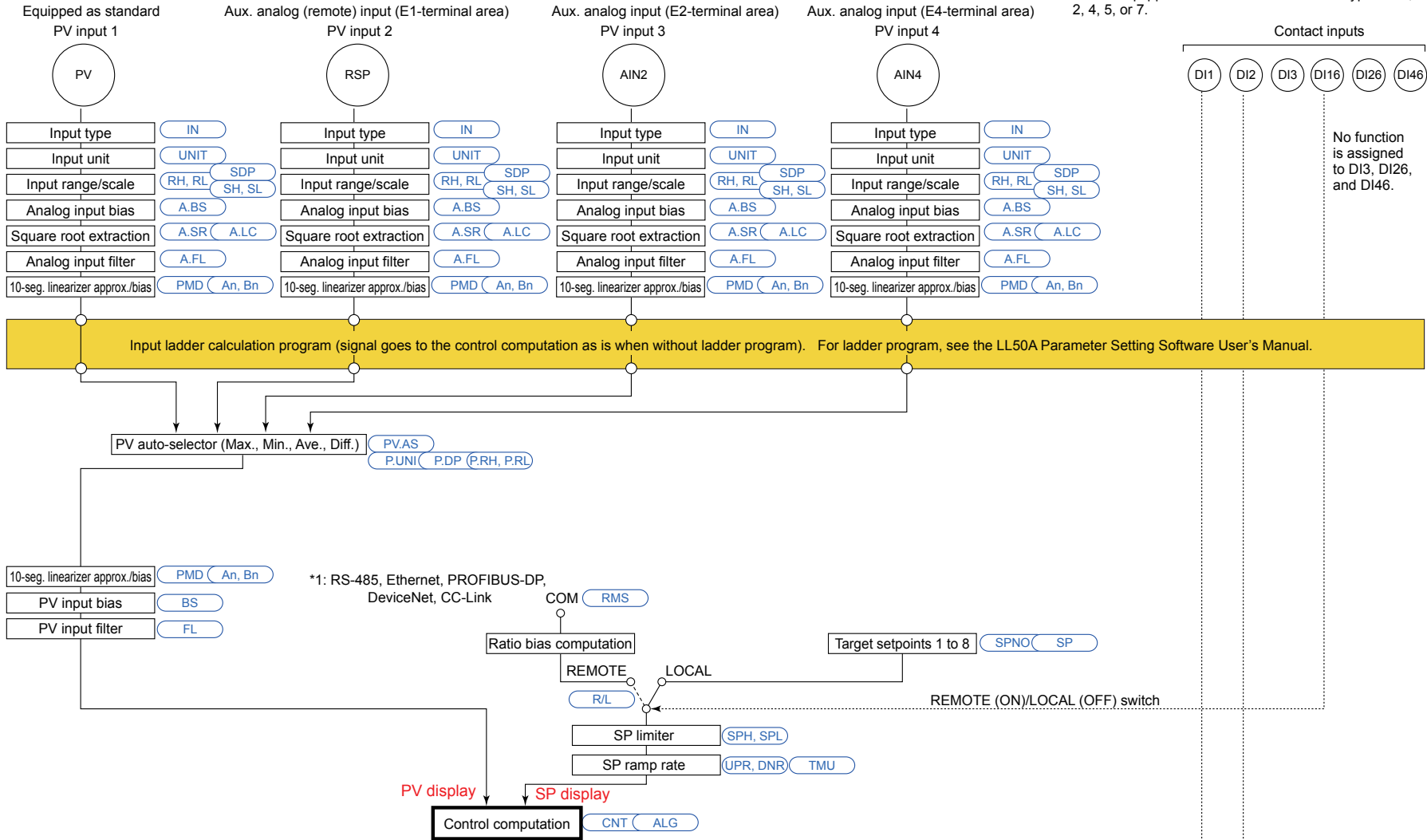
(For Standard model) When UT55A suffix code: Type 2 = 7.

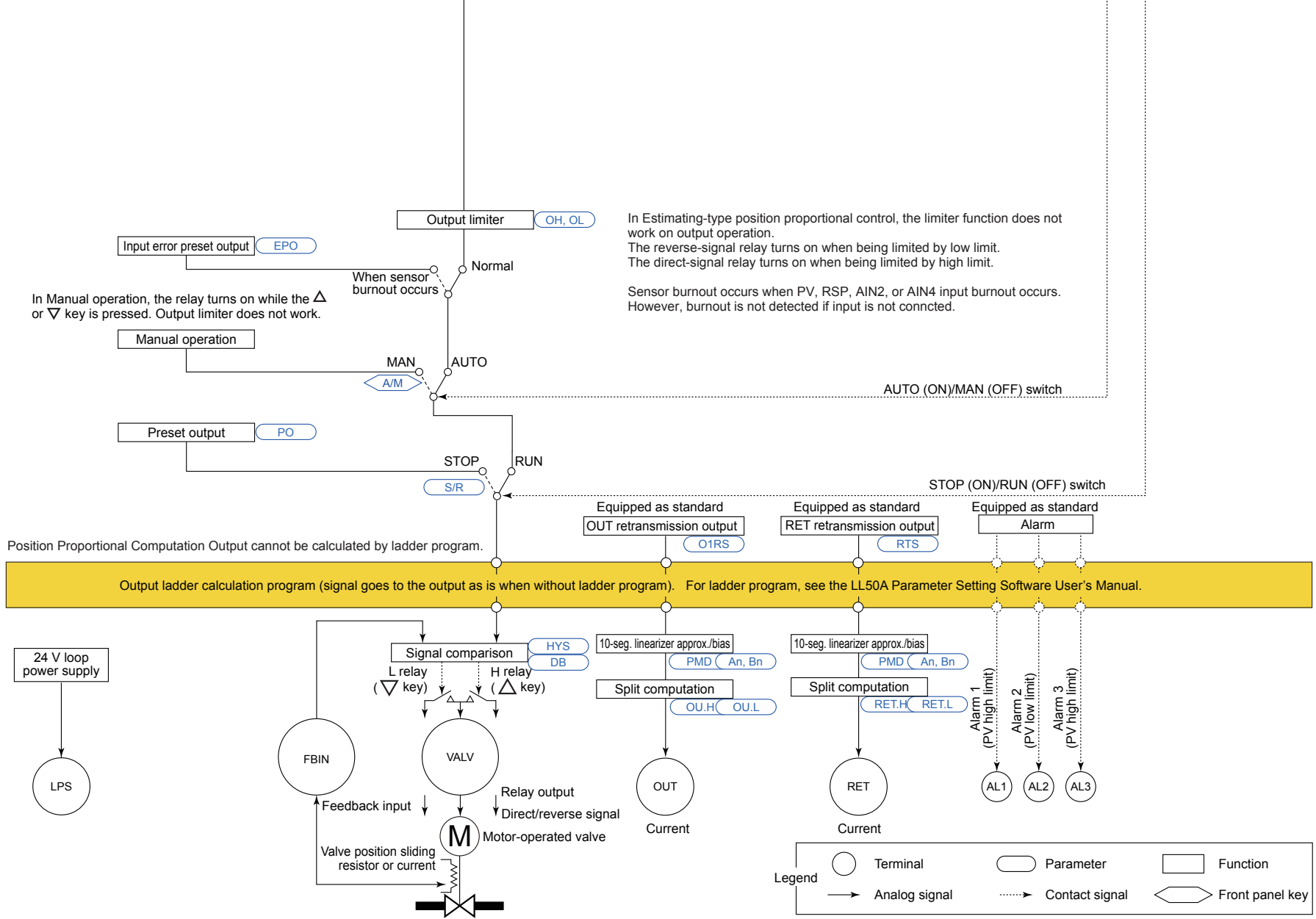
(For Detailed model)

DI16 is equipped when UT55A optional suffix code /R1. DI26 is equipped when UT55A optional suffix code /A2. DI46 is equipped when UT55A optional suffix code /A4 or /AC4.

(For Standard model)

DI16 is equipped when UT55A suffix code: Type 2 = 1, 2, 4, 5, or 7.





8.1 Setting Control Mode (CTLM)

Intentionally blank

8.1.8 Loop Control with PV-hold Function, Heating/cooling Loop Control with PV-hold Function, and Position Proportional Loop Control with PV-hold Function

Setting Details

Parameter symbol	Name	Display level	Setting range	Menu symbol
CTLM	Control mode	STD	SGL: Single-loop control CAS1: Cascade primary-loop control CAS2: Cascade secondary-loop control CAS: Cascade control BUM: Loop control for backup PVSW: Loop control with PV switching PVSEL: Loop control with PV auto-selector PVHD: Loop control with PV-hold function	CTL Set

CAUTION

- Some parameters will be initialized if the control mode (CTLM) is changed.
- When using the ladder program, the control mode cannot be changed.

For models with the /MDL option, configure using the LL50A Parameter Setting Software (sold separately) or through communication.

Description

These control modes hold the PV input value and control output value by switching the external sensor using contact input.

Loop control with PV-hold function can be used for Standard type or Heating/cooling type controller.

Heating/cooling loop control with PV-hold function can be used for Heating/cooling type controller.

Position proportional loop control with PV-hold function can be used for Position proportional type controller.

▶ [PID control and Heating/cooling control: 8.2 Setting Control Type \(CNT\)](#)

Up to four 10-segment linearizer approximation/10-segment linearizer biases can be used for the input unit or output unit.

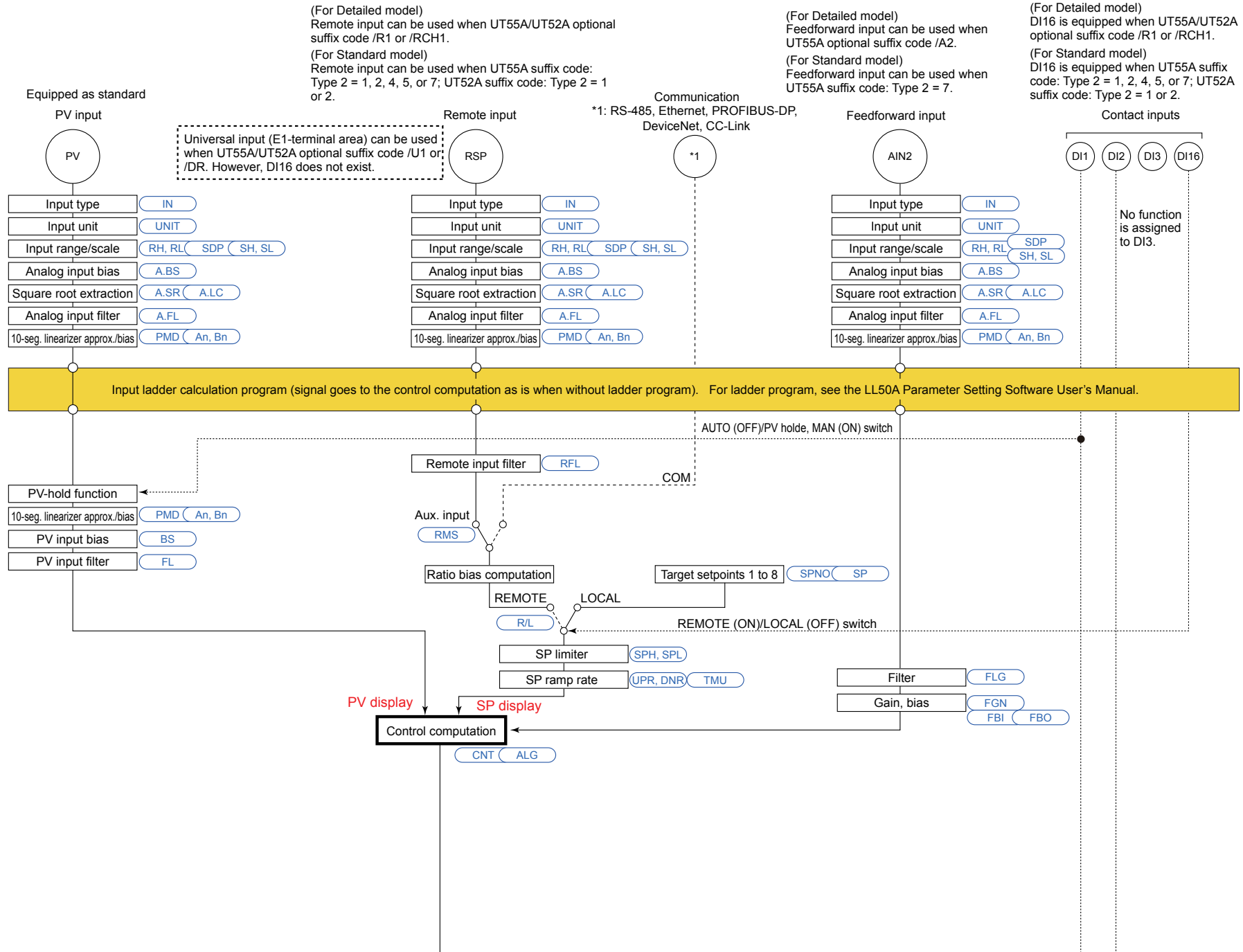
The Function block diagram describes only the basic functions.

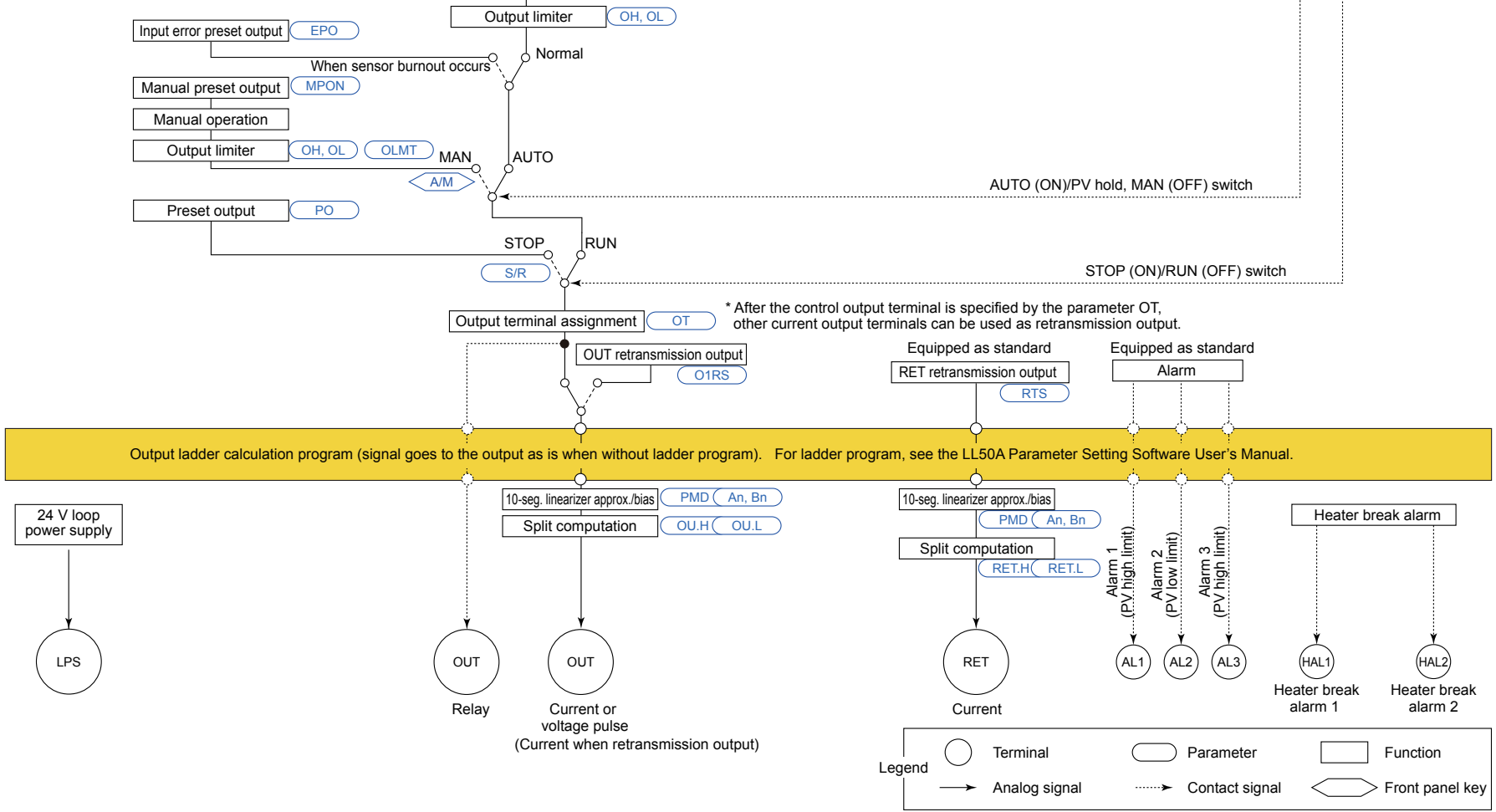
Parameter symbols in the Function block diagram describe representative parameters.

For the functions and parameters which are not described in Function block diagram, see the following.

- ▶ [Contact input assignment: 12.1 Setting Contact Input Function](#)
- ▶ [Contact output assignment: 12.2 Setting Contact Output Function](#)
- ▶ [Contact output assignment to retransmission output terminal: 10.1 Setting Control Output Type](#)
- ▶ [Analog output range change: 10.14 Changing Current Output Range](#)

Loop Control with PV-hold Function Function Block Diagram

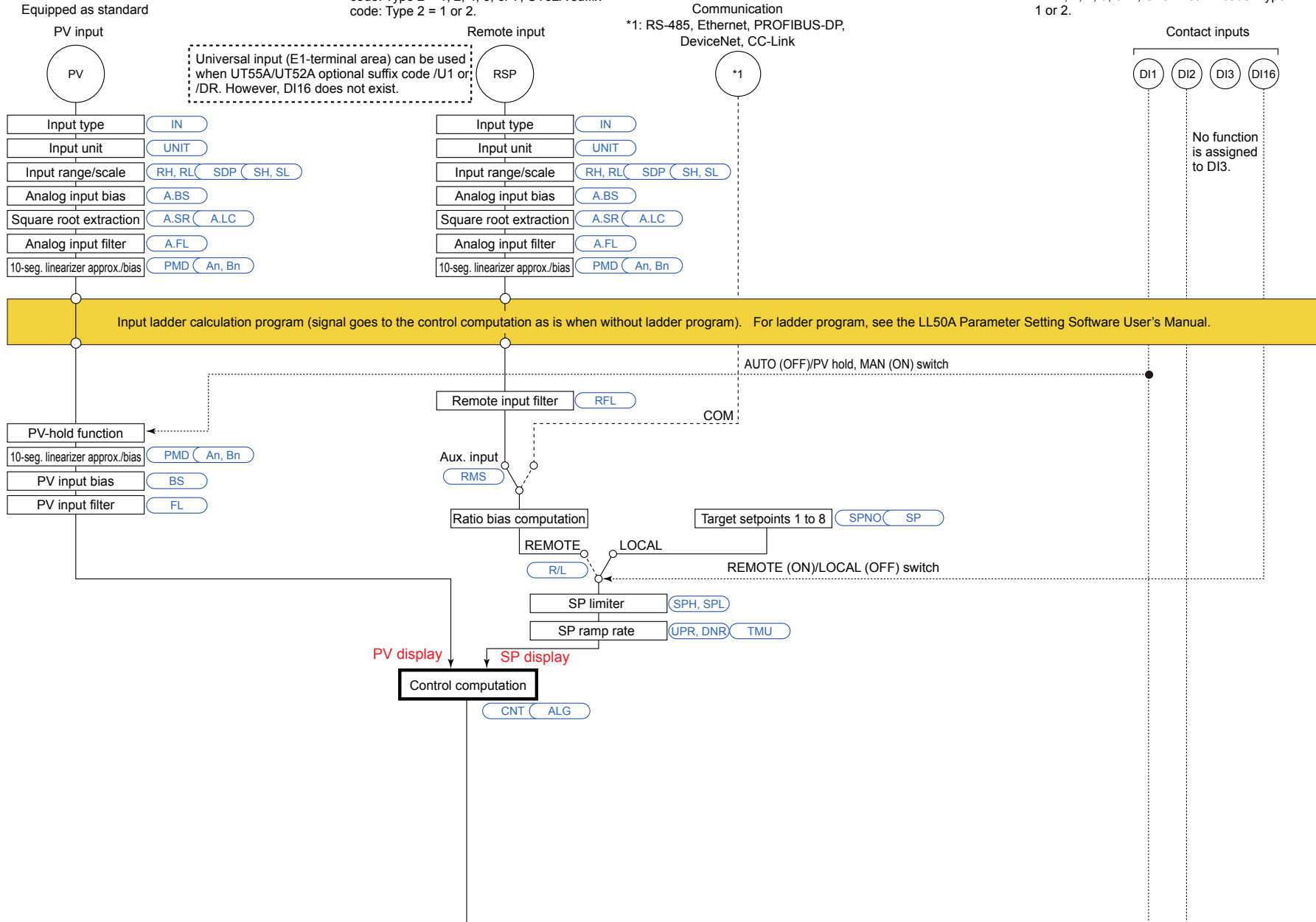


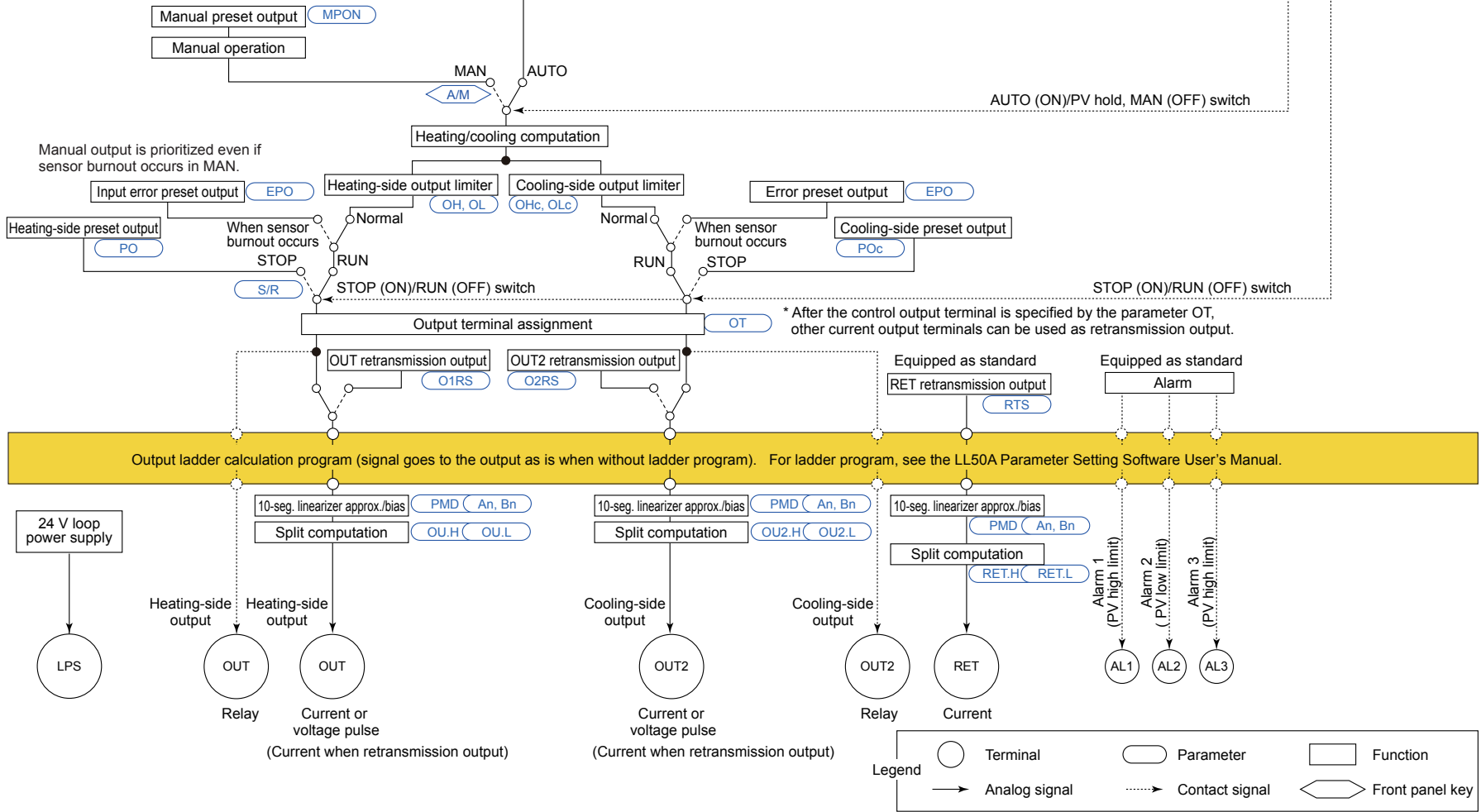


■ Heating/cooling Loop Control with PV-hold Function Function Block Diagram

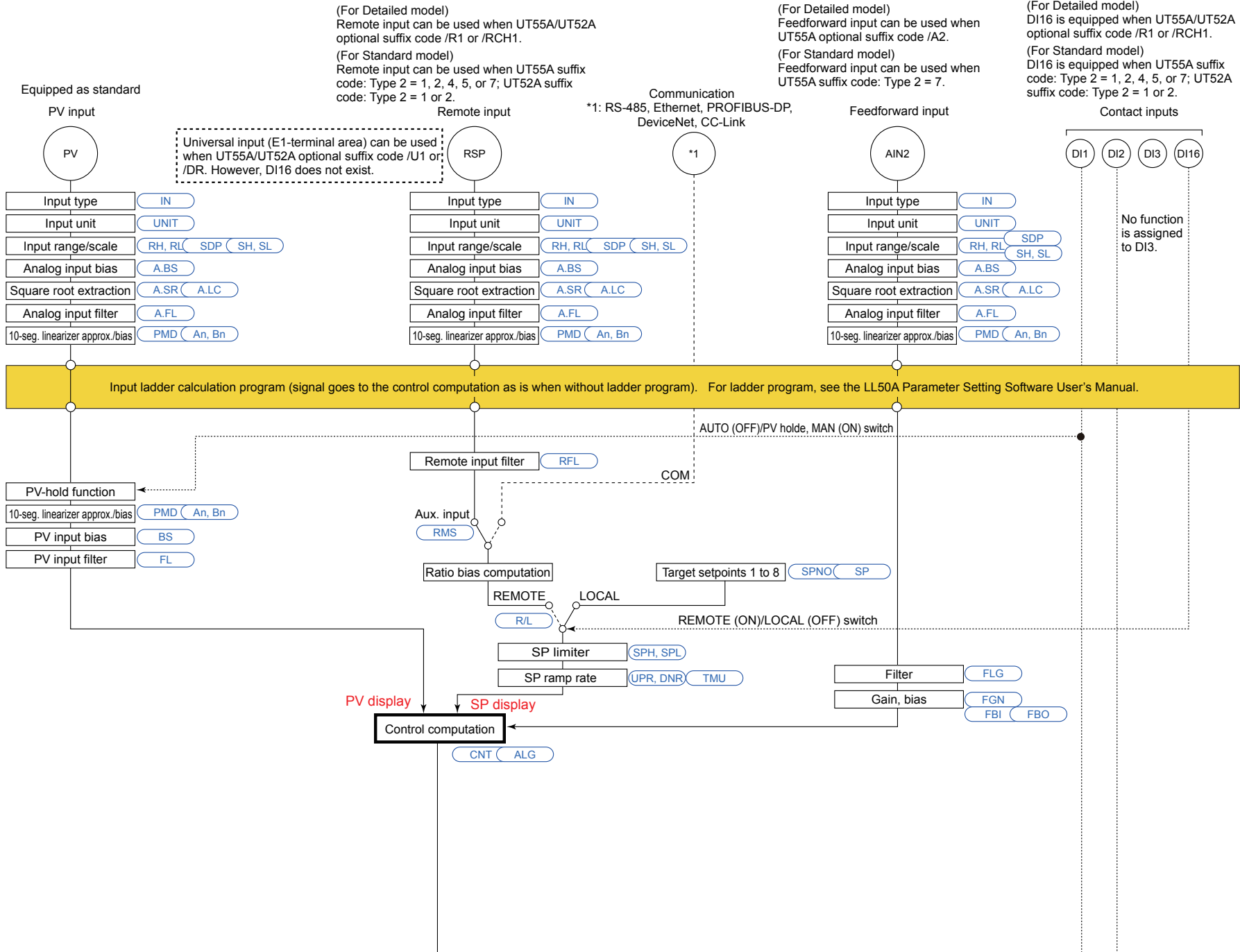
(For Detailed model)
Remote input can be used when UT55A/UT52A optional suffix code /R1 or /RCH1.
(For Standard model)
Remote input can be used when UT55A suffix code: Type 2 = 1, 2, 4, 5, or 7; UT52A suffix code: Type 2 = 1 or 2.

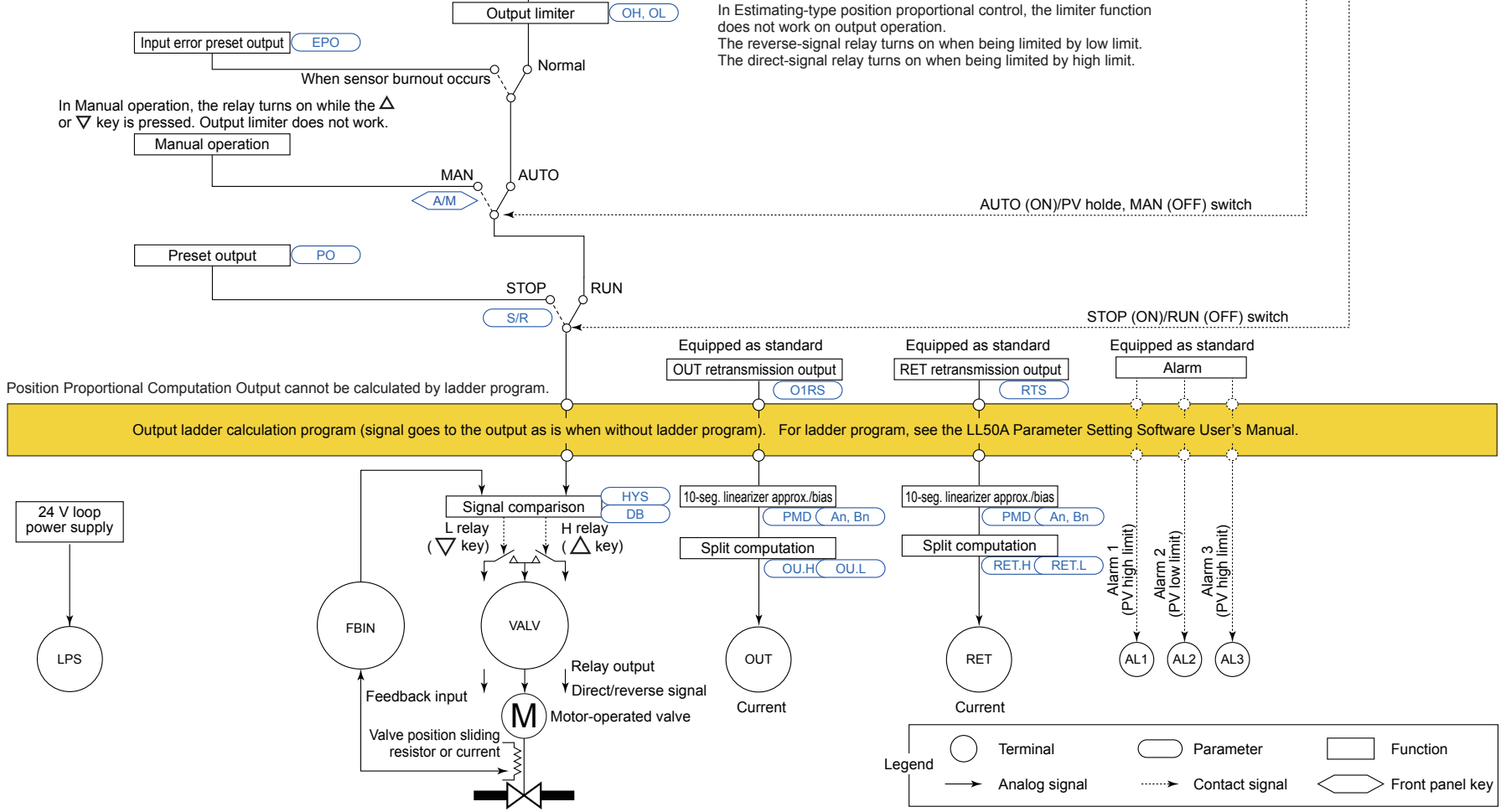
(For Detailed model)
DI16 is equipped when UT55A/UT52A optional suffix code /R1 or /RCH1.
(For Standard model)
DI16 is equipped when UT55A suffix code: Type 2 = 1, 2, 4, 5, or 7; UT52A suffix code: Type 2 = 1 or 2.





Position Proportional Loop Control with PV-hold Function Function Block Diagram





8.2 Setting Control Type (CNT)

The following table shows combination of Standard type, Heating/cooling type, Position proportional type and control type (CNT).

Control type	Suffix code: Type 1		
	Standard type	Heating/cooling type	Position proportional type
PID control	√	√	√
ON/OFF control (1 point of hysteresis)	√	√	N/A
ON/OFF control (2 points of hysteresis)	√	√	N/A
Two-position two-level control	N/A	√	N/A
Heating/cooling control	N/A	√	N/A
Sample PI control	√	√	√
Batch PID control	√	√	√
Feedforward control	√	√	√

√: Available, N/A: Not available

The following table shows combination of control type (CNT) and control mode (CTLM).

Control type	Control mode (CTLM)							
	SGL	CAS1	CAS2	CAS	BUA	PVSW	PVSEL	PVHD
PID control	√	√*1	√	√	√	√	√	√
ON/OFF control (1 point of hysteresis)	√*1	N/A	N/A	N/A	N/A	√	√	N/A
ON/OFF control (2 points of hysteresis)	√*1	N/A	N/A	N/A	N/A	√	√	N/A
Two-position two-level control	√*2	N/A	N/A	N/A	N/A	N/A	N/A	N/A
Heating/cooling control	√*2	N/A	√*2	√*2	√*2	√*2	√*2	√*2
Sample PI control	√	N/A	N/A	N/A	N/A	√	√	√
Batch PID control	√	N/A	N/A	N/A	N/A	√	√	√
Feedforward control	√	N/A	N/A	N/A	N/A	N/A	N/A	√

√: Available, N/A: Not available

*1: Cannot be selected for Position proportional type.

*2: Can be selected only for Heating/cooling type.

The following table shows combination of control type (CNT) and output type.

Control type	Output type			
	Current output	Time proportional output	ON/OFF output	Position proportional output
PID control	√	√	N/A	√
ON/OFF control (1 point of hysteresis)	√	N/A	√	N/A
ON/OFF control (2 points of hysteresis)	√	N/A	√	N/A
Two-position two-level control	√	N/A	√	N/A
Heating/cooling control	√	√	√	N/A
Sample PI control	√	√	N/A	√
Batch PID control	√	√	N/A	√
Feedforward control	√	√	N/A	√

√: Available, N/A: Not available

► [Output type: 10.1 Setting Control Output Type](#)

8.2.1 PID Control

Description

PID control is a general control using control-related parameters PID.
When PID control is selected, PID should be obtained by auto-tuning after setting SP or PID should be set manually.

Setting Details

Parameter symbol	Name	Display level	Setting range	Menu symbol
CNT	Control type	EASY	PID: PID control ONOF: ON/OFF control (1 point of hysteresis) ONOF2: ON/OFF control (2 points of hysteresis) 2P2L: Two-position two-level control H/C: Heating/cooling control S-PI: Sample PI control BATCH: Batch PID control FFPID: Feedforward control	CTL Set
P	Proportional band Heating-side proportional band (in Heating/cooling control)	EASY	0.0 to 999.9% When 0.0% is set, it operates as 0.1%. Heating-side ON/OFF control applies when 0.0% in Heating/cooling control.	PID Ope
I	Integral time Heating-side integral time (in Heating/cooling control)	EASY	OFF: Disable 1 to 6000 s	
D	Derivative time Heating-side derivative time (in Heating/cooling control)	EASY	OFF: Disable 1 to 6000 s	
Pc	Cooling-side proportional band	EASY	0.0 to 999.9% Cooling-side ON/OFF control applies when 0.0% in Heating/cooling control.	
Ic	Cooling-side integral time	EASY	OFF: Disable 1 to 6000 s	
Dc	Cooling-side derivative time	EASY	OFF: Disable 1 to 6000 s	
MR	Manual reset	EASY	-5.0 to 105.0%	
PIDN	PID number selection	EASY	1 to 8	SP Ope
PIDG.	Number of PID groups	STD	1 to 8	CTL Set

Note 1: The PID number (1 to 8, or R) is displayed on Group display while the parameter P, I, D, Pc, Ic, Dc, or MR is displayed.

Note 2: In Cascade control, the LP2 lamp is lit while the Loop-2 parameter is displayed.

Note 3: The parameter CNT of Loop 2 displays PID and H/C.

Note

When changing the setpoint of the parameter PIDG., if the setpoint of the parameter PIDN which belongs to the SP menu is larger than that of the parameter PIDG., the PIDN setpoint is changed to the PIDG. setpoint.

For models with the /MDL option, configure using the LL50A Parameter Setting Software (sold separately) or through communication.

8.2.2 ON/OFF Control (1 point of hysteresis / 2 points of hysteresis)

Description

ON/OFF control compares the SP and PV and outputs an on or off signal according to the positive or negative deviation (PV – SP). Hysteresis can be set in the vicinity of the on/off output operating point.

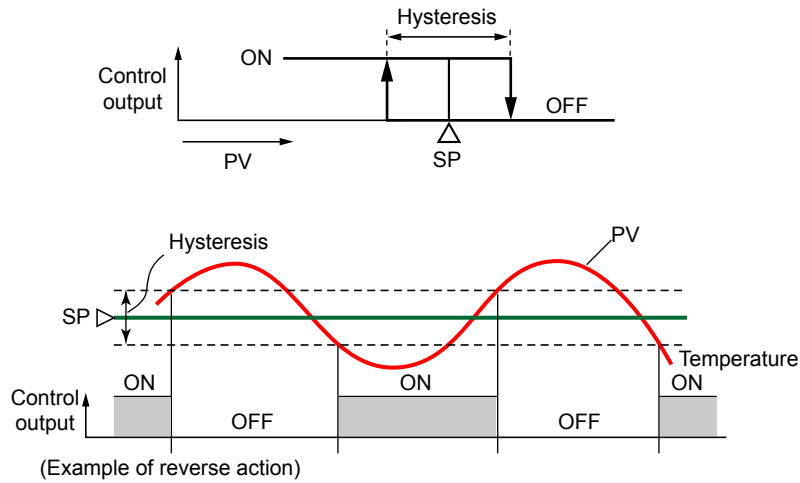
If the SP and PV become close and the polarity of the deviation reverses frequently, the on/off output will cycle repeatedly. The life of the output relay will therefore be dramatically shortened.

In such a case, set a wider hysteresis so that the relay’s frequent on/off output (chattering) will not occur.

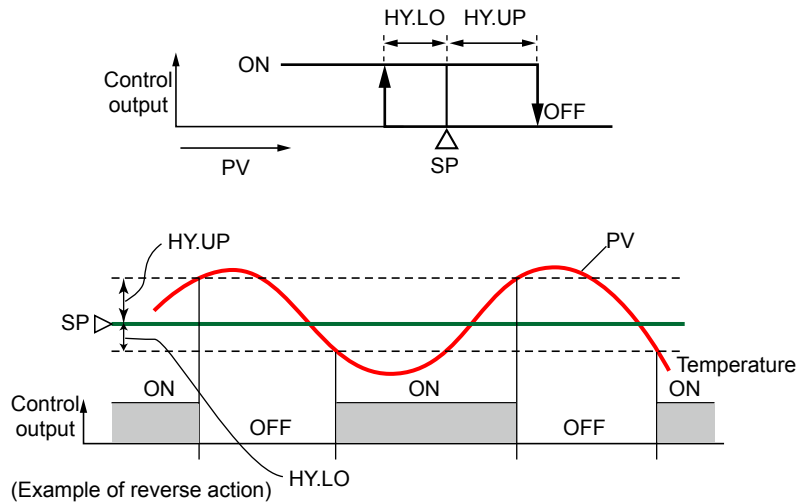
When the control type (CNT) is set to “ONOF,” one point of hysteresis can be set to the operating point.

When the control type (CNT) is set to “ONOF2,” two points of hysteresis (deviation positive hysteresis and deviation negative hysteresis) can be set to the operating point.

1 point of hysteresis



2 points of hysteresis



Setting Details

Parameter symbol	Name	Display level	Setting range	Menu symbol
CNT	Control type	EASY	PID: PID control ONOF: ON/OFF control (1 point of hysteresis) ONOF2: ON/OFF control (2 points of hysteresis) 2P2L: Two-position two-level control H/C: Heating/cooling control S-PI: Sample PI control BATCH: Batch PID control FFPID: Feedforward control	CTL Set
HYS	Hysteresis (in ON/OFF control, Position proportional control, or Two-position two-level control) Heating-side ON/OFF control hysteresis (in Heating/cooling control)	EASY	In ON/OFF control or Two-position two-level control: 0.0 to 100.0% of PV input range span (EUS) In Heating/cooling control or Position proportional control: 0.0 to 100.0%	PID Ope
HY.UP	Upper-side hysteresis (in ON/OFF control)	EASY	0.0 to 100.0% of PV input range span (EUS)	
HY.LO	Lower-side hysteresis (in ON/OFF control)	EASY		
PIDN	PID number selection	EASY	1 to 8	SP Ope
PIDG.	Number of PID groups	STD	Set a number of PID groups to use. 1 to 8	CTL Set

Note1: The PID number (1 to 8, or R) is displayed on Group display while the parameter HYS, HY.UP or HY.LO is displayed.

Note2: In Cascade control, the LP2 lamp is lit while the Loop-2 parameter is displayed.

Note

When changing the setpoint of the parameter PIDG., if the setpoint of the parameter PIDN which belongs to the SP menu is larger than that of the parameter PIDG., the PIDN setpoint is changed to the PIDG. setpoint.

For models with the /MDL option, configure using the LL50A Parameter Setting Software (sold separately) or through communication.

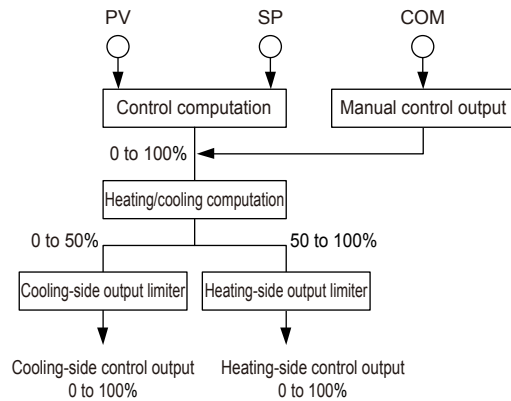
8.2.3 Heating/cooling Control

Description

Heating/cooling control can be used only for Heating/cooling type.

In Heating/cooling control, the controller outputs the result of computation after splitting it into heating-purpose and cooling-purpose signals. PID control or ON/OFF control can be selected for each of the heating side and the cooling side.

Set the heating-side proportional band to "0" to perform ON/OFF control on the heating side. Set the cooling-side proportional band to "0" to perform ON/OFF control on the cooling side.



Details of Heating/cooling Control

In Heating/cooling control, PID control or ON/OFF control can be selected for each of the heating side and the cooling side.

Set the proportional band to "0" to perform ON/OFF control.

The following describes the combination of heating side and cooling side.

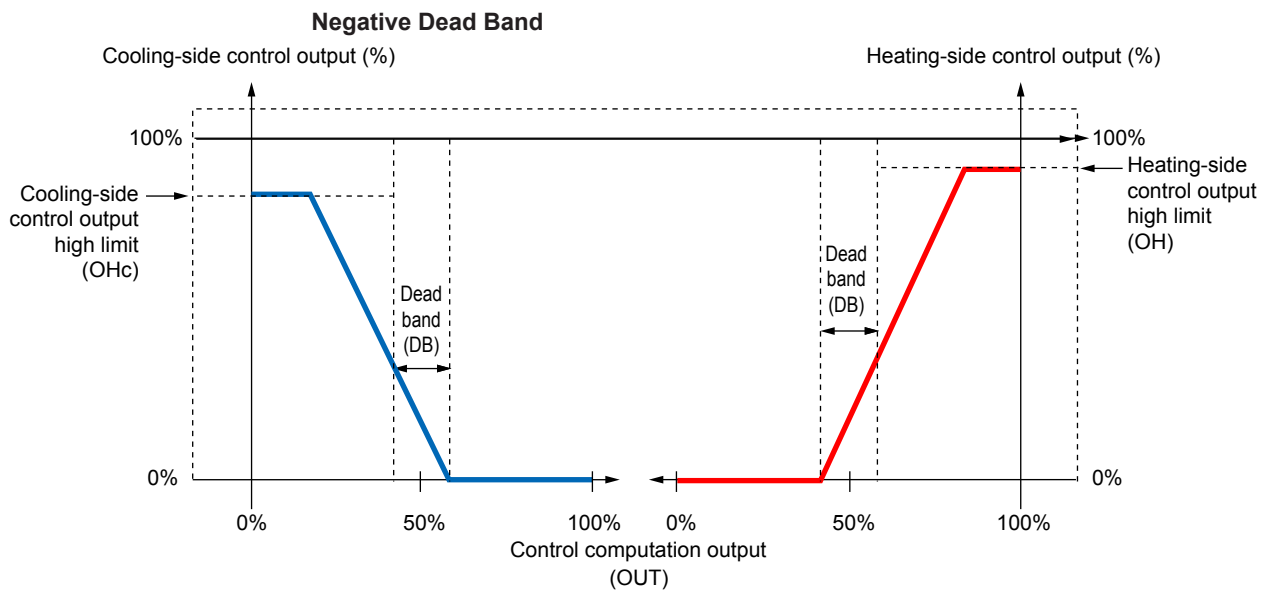
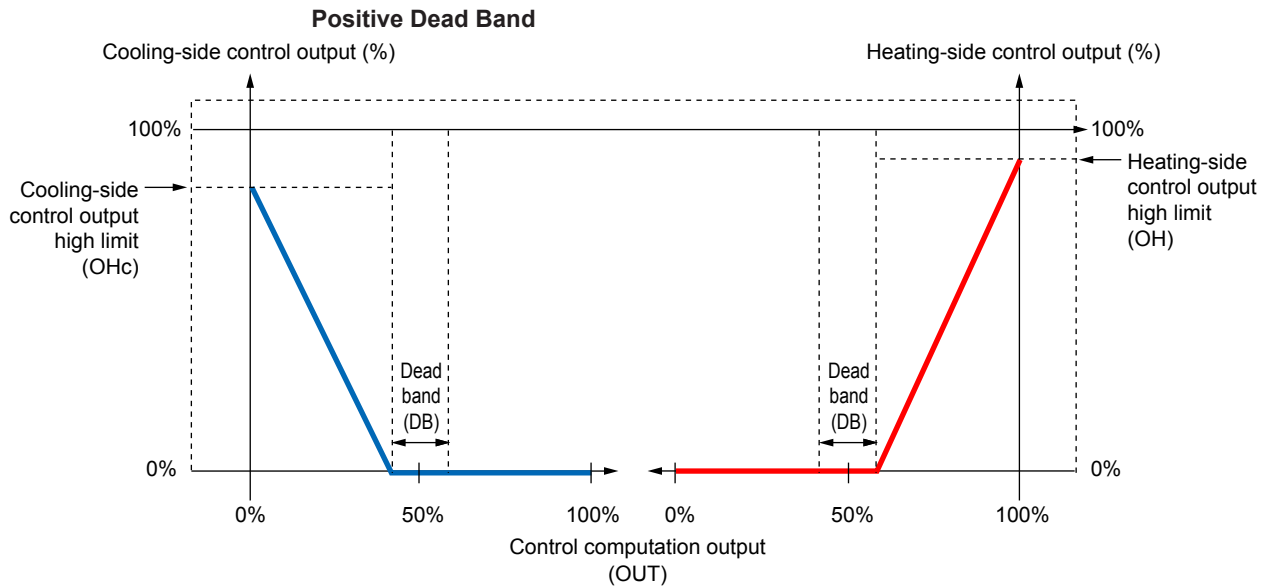
When Both the Heating Side and Cooling Side are in PID Control

The following shows the formula and operation example.

$$HOUT = \left(OUT - \frac{DB}{2} - 50\% \right) \times 2$$

$$COUT = \left(50\% - OUT - \frac{DB}{2} \right) \times 2 \times \frac{P}{Pc}$$

*: OUT: control output, HOUT: heating-side control output,
COUT: cooling-side control output, P: heating-side proportional band,
Pc: cooling-side proportional band, and DB: dead band



CAUTION

- Set the ratio of the heating-side proportional band (P) to the cooling-side proportional band (P_c) to within 1 to 5.
- Setting the heating-side or cooling-side integral time (I or I_c) to "OFF" results in the integral time of both sides being set to "OFF."

8.2 Setting Control Type (CNT)

When the Heating Side is in ON/OFF Control and the Cooling Side is in PID Control:

The following shows the formula and operation example.

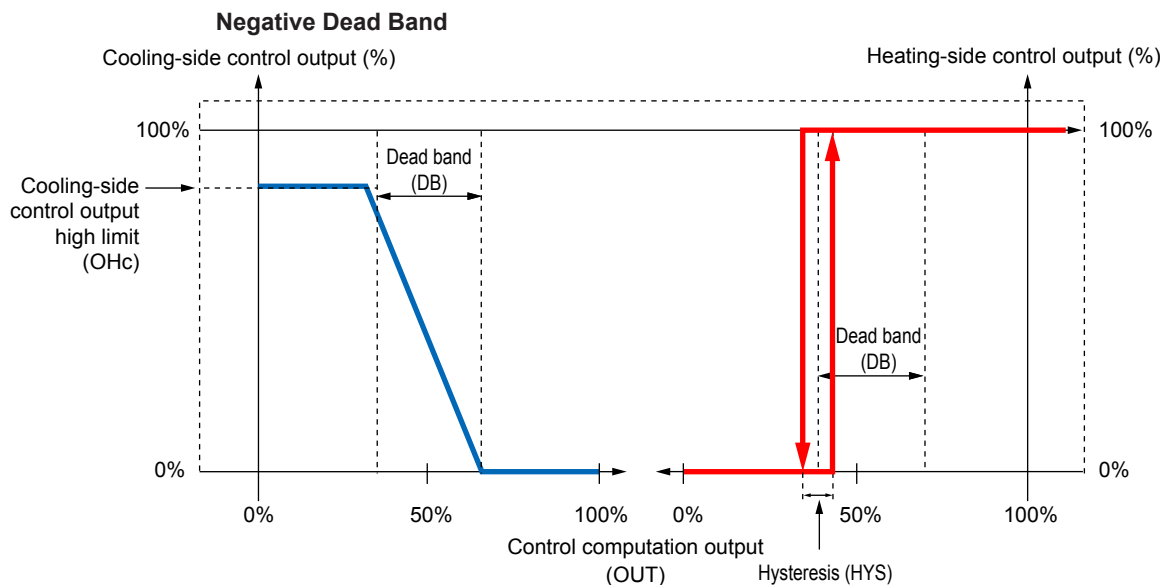
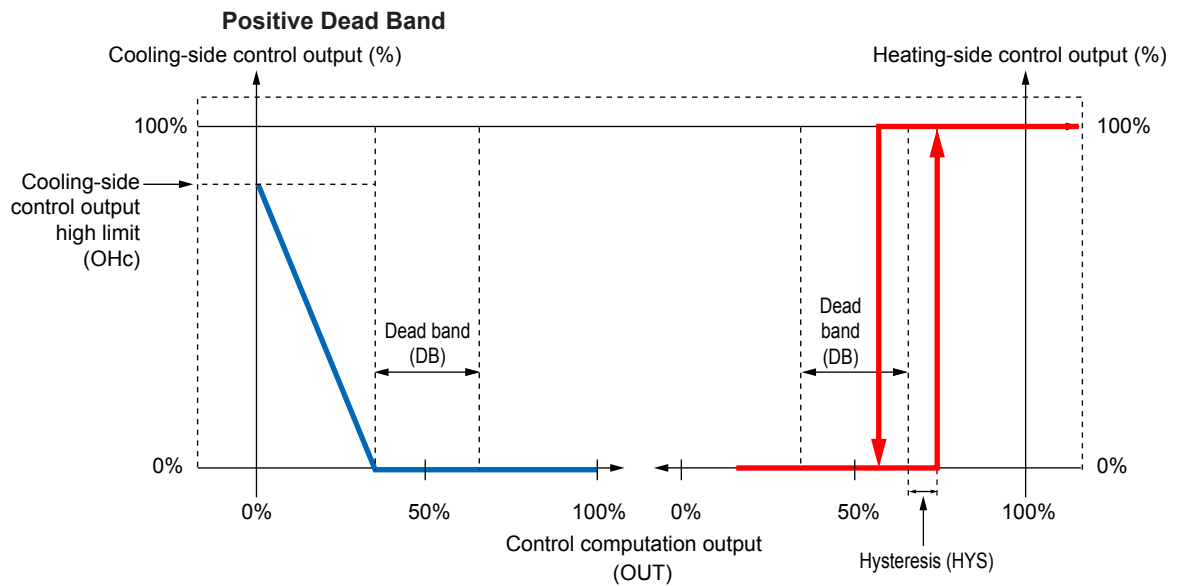
Output turns on when

$$HOUT = OUT > \left(50\% + \frac{DB}{2} + \frac{HYS}{2} \right)$$

Other than this case, maintain current state.

$$COUT = \left(50\% - OUT - \frac{DB}{2} \right) \times 2$$

*: OUT: control output, HOUT: heating-side control output, COUT: cooling-side control output, DB: dead band, and HYS: heating-side hysteresis



When the Heating Side is in PID Control and the Cooling Side is in ON/OFF Control:

The following shows the formula and operation example.

$$HOUT = (OUT - \frac{DB}{2} - 50\%) \times 2$$

Output turns on when

$$COUT = OUT < (50\% - \frac{DB}{2} - \frac{HYSc}{2})$$

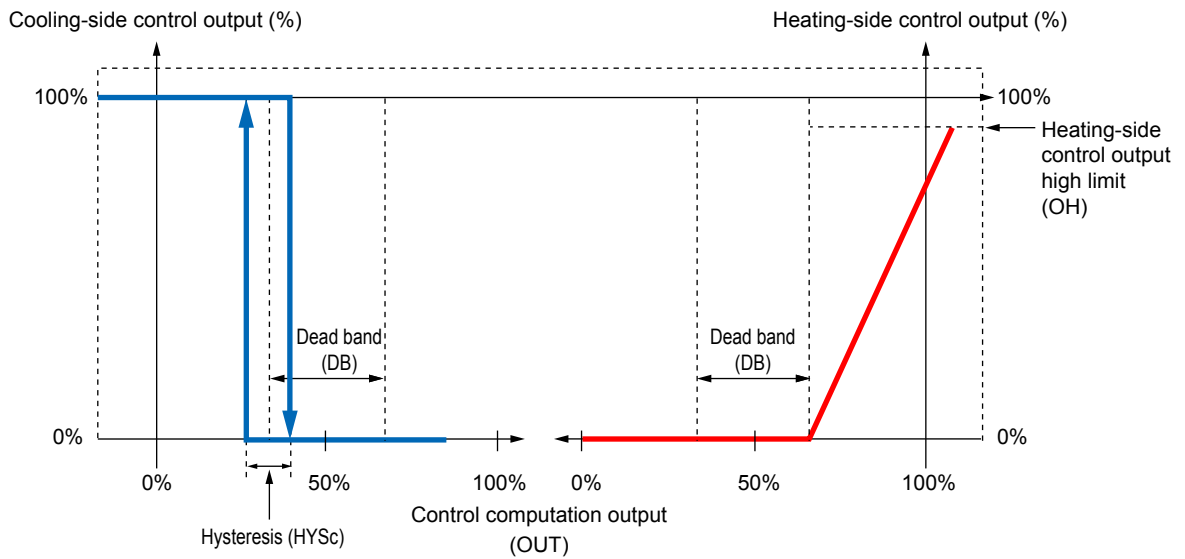
Output turns off when

$$OUT > (50\% + \frac{DB}{2} + \frac{HYSc}{2})$$

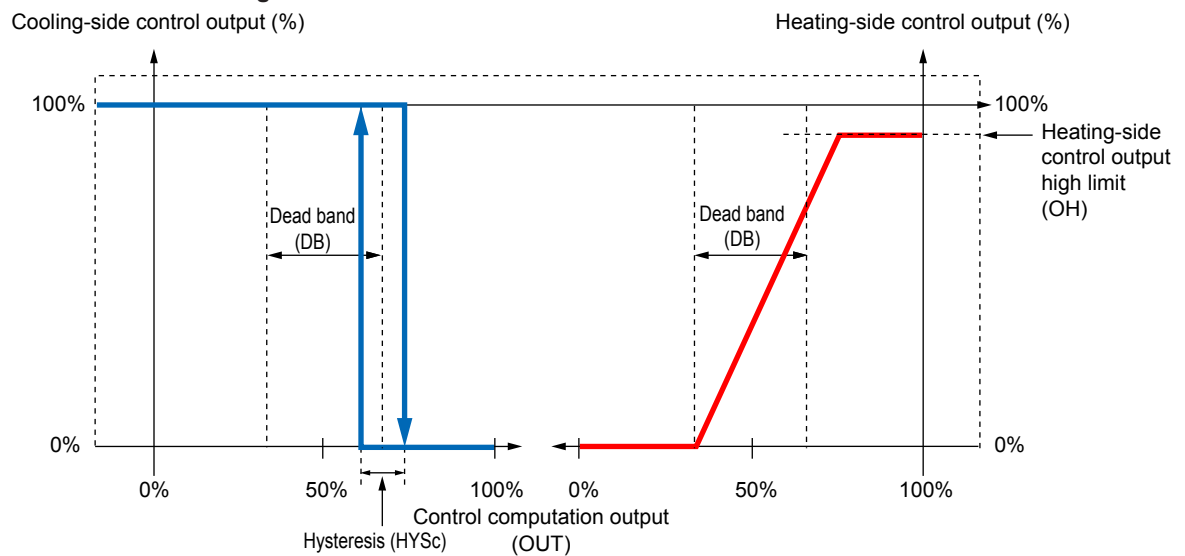
Other than these cases, maintain current state.

*: OUT: control output, HOUT: heating-side control output, COUT: cooling-side control output, DB: dead band, and HYSc: cooling-side hysteresis

Positive Dead Band



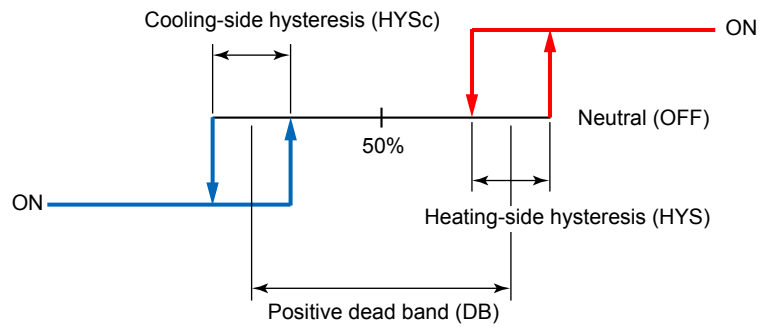
Negative Dead Band



8.2 Setting Control Type (CNT)

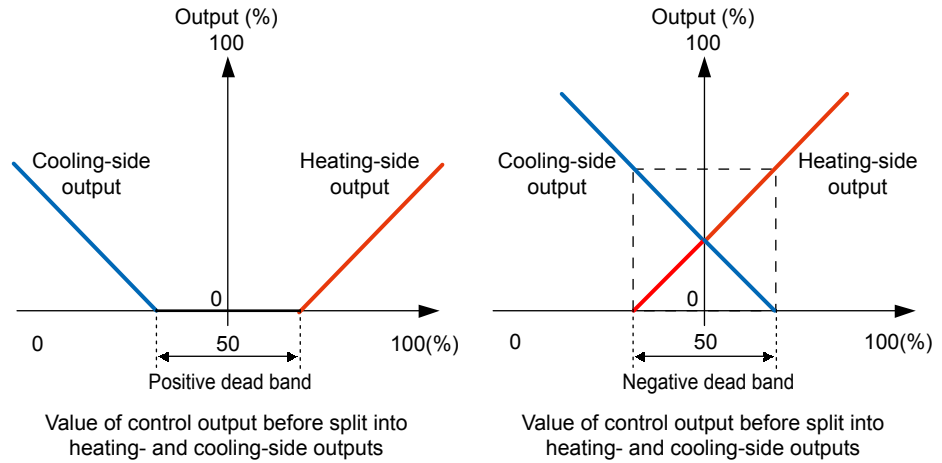
When both the Heating Side and Cooling Side are in ON/OFF Control:

The following shows the operation example.



Dead Band (DB)

In Heating/cooling control, the positive dead band denotes the zone where none of the heating-side and cooling-side outputs are presented. The negative dead band denotes the zone where both of the heating-side and cooling-side outputs are presented.



Setting Details

Parameter symbol	Name	Display level	Setting range	Menu symbol
CNT	Control type	EASY	PID: PID control ONOF: ON/OFF control (1 point of hysteresis) ONOF2: ON/OFF control (2 points of hysteresis) 2P2L: Two-position two-level control H/C: Heating/cooling control S-PI: Sample PI control BATCH: Batch PID control FFPID: Feedforward control	CTL Set
HYS	Hysteresis (in ON/OFF control, Position proportional control, or Two-position two-level control) Heating-side ON/OFF control hysteresis (in Heating/cooling control)	EASY	In ON/OFF control or Two-position two-level control: 0.0 to 100.0% of PV input range span (EUS) In Heating/cooling control or Position proportional control: 0.0 to 100.0%	PID Ope
HYS_c	Cooling-side ON/OFF control hysteresis	EASY	0.0 to 100.0%	
DB	Output dead band (in Heating/cooling control or Position proportional control)	EASY	In Heating/cooling control: -100.0 to 50.0% In Position proportional control: 1.0 to 10.0%	
PIDN	PID number selection	EASY	1 to 8	SP Ope
PIDG.	Number of PID groups	STD	1 to 8	CTL Set

Note1: The PID number (1 to 8, or R) is displayed on Group display while the parameter HYS, HYS_c, or DB is displayed.

Note2: In Cascade control, the LP2 lamp is lit while the Loop-2 parameter is displayed.

Note

When changing the setpoint of the parameter PIDG., if the setpoint of the parameter PIDN which belongs to the SP menu is larger than that of the parameter PIDG., the PIDN setpoint is changed to the PIDG. setpoint.

For models with the /MDL option, configure using the LL50A Parameter Setting Software (sold separately) or through communication.

8.2.4 Two-position Two-level Control

Description

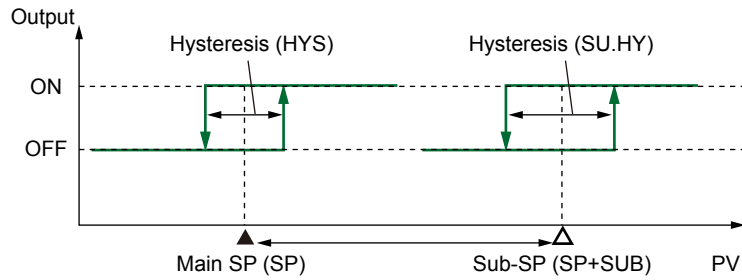
Two-position two-level control outputs the ON signal and OFF signal for the target setpoint (SP) of the main setting and the sub-target setpoint (SP + SUB) of the sub-setting.

The sub-setting is set as a deviation from the main setting.

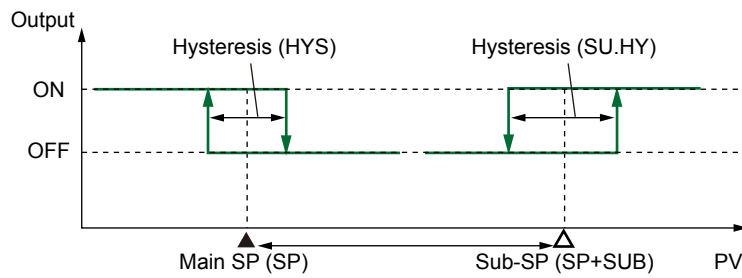
Hysteresis can be set in the vicinity of the on/off output operating point

- ▶ [Two-position two-level control: 8.1.1 Single-loop Control, Single-loop Heating/cooling Control, Single-loop Position Proportional Control, and Single-loop Two-position Two-level Control](#)

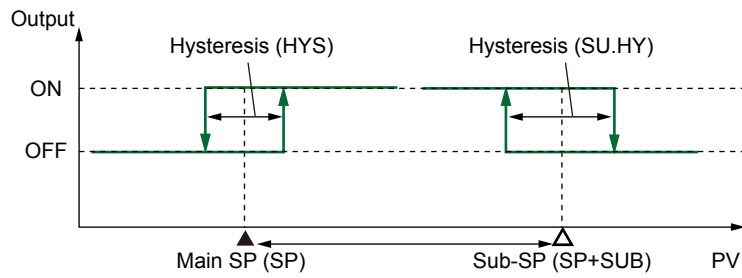
Main setting=Direct and Sub-setting=Direct



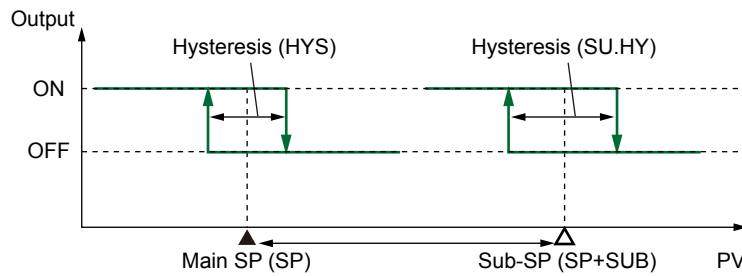
Main setting=Reverse and Sub-setting=Direct



Main setting=Direct and Sub-setting=Reverse



Main setting=Reverse and Sub-setting=Reverse



Setting Details

Parameter symbol	Name	Display level	Setting range	Menu symbol
CNT	Control type	EASY	PID: PID control ONOF: ON/OFF control (1 point of hysteresis) ONOF2: ON/OFF control (2 points of hysteresis) 2P2L: Two-position two-level control H/C: Heating/cooling control S-PI: Sample PI control BATCH: Batch PID control FFPID: Feedforward control	CTL Set
SP	Target setpoint	EASY	0.0 to 100.0% of PV input range (EU) (Setting range: SPL to SPH)	SP Ope
SUB	Sub-target setpoint (in Two-position two-level control)	EASY	Set the offset from SP. -100.0 to 100.0% of PV input range span (EUS)	SP Ope
HYS	Hysteresis (in ON/OFF control, Position proportional control, or Two-position two-level control) Heating-side ON/OFF control hysteresis (in Heating/cooling control)	EASY	In ON/OFF control or Two-position two-level control: 0.0 to 100.0% of PV input range span (EUS) In Heating/cooling control or Position proportional control: 0.0 to 100.0%	PID Ope
SU.HY	Sub-hysteresis (in Two-position two-level control)	EASY	0.0 to 100.0% of PV input range span (EUS)	PID Ope
DR	Direct/reverse action switch	STD		
SU.DR	Sub-direct/reverse action switch (in Two-position two-level control)	STD	RVS: Reverse action DIR: Direct action	
PIDN	PID number selection	EASY	1 to 8	SP Ope
PIDG.	Number of PID groups	STD	1 to 8	CTL Set

Note1: The PID number (1 to 8, R) is displayed on Group display while the parameter SP, SUB, HYS, SU.HY, DR, or SU.DR is displayed.

Note

When changing the setpoint of the parameter PIDG., if the setpoint of the parameter PIDN which belongs to the SP menu is larger than that of the parameter PIDG., the PIDN setpoint is changed to the PIDG. setpoint.

For models with the /MDL option, configure using the LL50A Parameter Setting Software (sold separately) or through communication.

8.2 Setting Control Type (CNT)

8.2.5 PD Control (Stable Control in Which a Setpoint is not Exceeded)

Description

This control type performs control in which integral action (I action) is excluded from PID action.

Set the integral time (I or I_c) to OFF.

It is useful when stable control in which a setpoint is not exceeded is desired for integral processes in which constant flows are delivered.

The following shows the PID control computation formula.

$$\text{OUT} = \frac{100}{P} \left(e + T_d \frac{d}{dt} \cdot \Delta \text{PV} \right) + \text{MR}$$

where OUT: control output, e: deviation (PV-SP), P: proportional band, T_d: derivative time, ΔPV: PV_n-PV_{n-1} (n-1: value before one control period), and MR: manual reset

The following table shows combination of PD control and control mode (CTLM).

	Control mode (CTLM)							
	SGL	CAS1	CAS2	CAS	BUM	PVSW	PVSEL	PVHD
PD control	√	N/A	√	√	√	√	√	√



√: Available, N/A: Not available

The following table shows combination of PD control and output method.

	Output method			
	Current output	Time proportional output	ON/OFF output	Position proportional output
PD control	√	√	N/A	√

√: Available, N/A: Not available

Setting Details

Parameter symbol	Name	Display level	Setting range	Menu symbol
P	Proportional band	EASY	0.0 to 999.9% When 0.0% is set, it operates as 0.1%.	PID 
D	Derivative time	EASY	OFF: Disable 1 to 6000 s	
MR	Manual reset	EASY	-5.0 to 105.0%	
PIDG.	Number of PID groups	STD	1 to 8	CTL 

Note1: The PID number (1 to 8, or R) is displayed on Group display while the parameter P, D, or MR is displayed.

Note

When changing the setpoint of the parameter PIDG., if the setpoint of the parameter PIDN which belongs to the SP menu is larger than that of the parameter PIDG., the PIDN setpoint is changed to the PIDG. setpoint.

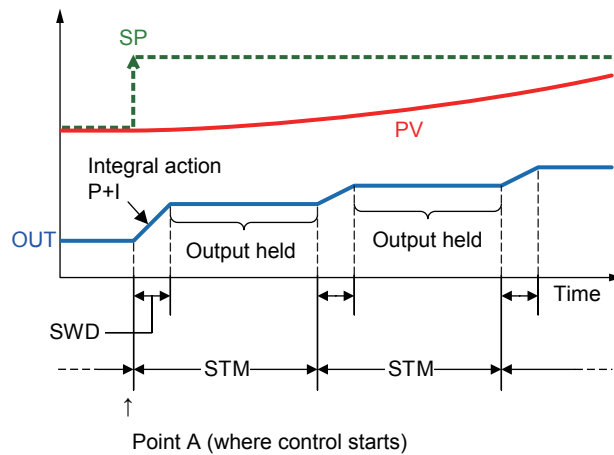
For models with the /MDL option, configure using the LL50A Parameter Setting Software (sold separately) or through communication.

8.2.6 Sample PI Control (Controlling a Process with Long Dead Time)

Description

Sample PI control performs PI control for a sample PI sampled time (STM) only during the first sample PI control time span (SWD). It subsequently holds a control output when that time elapses.

This control is useful for processes with long dead times where the results of the control output are not quickly reflected on PV.



where OUT: control output, SP: target setpoint, and PV: measured input
Action of Sample PI Control (S-PI)

To reduce overshoots, it is better to lengthen the sample PI sampled time (STM). This results however in the settling time becoming longer.

If the shortest cycle (TN) of the main disturbance imposed on process is smaller than the sample PI sampled time (STM), that disturbance cannot be controlled. A guideline is approximately $STM \leq TN/5$.

STM is reset by control start (AUTO and RUN.)

Control starts from the point A when:

- Operation mode is switched from STOP to RUN,
- Operation mode is switched from MAN to AUTO,
- Input has recovered from burnout,
- Output tracking flag is switched from ON to OFF. (Ladder program used), or
- Power is turned on.

* If the sample PI sampled time (STM) or sample PI control time span (SWD) is changed, the operation is continued by the changed value immediately.

8.2 Setting Control Type (CNT)

Setting Details

Parameter symbol	Name	Display level	Setting range	Menu symbol
CNT	Control type	EASY	PID: PID control ONOF: ON/OFF control (1 point of hysteresis) ONOF2: ON/OFF control (2 points of hysteresis) 2P2L: Two-position two-level control H/C: Heating/cooling control S-PI: Sample PI control BATCH: Batch PID control FFPID: Feedforward control	CTL Set
P	Proportional band	EASY	0.0 to 999.9% When 0.0% is set, it operates as 0.1%.	PID Ope
I	Integral time	EASY	OFF: Disable 1 to 6000 s	
PIDN	PID number selection	EASY	1 to 8	SP Ope
PIDG.	Number of PID groups	STD	1 to 8	
STM	Sample PI sampled time	EASY	0 to 9999 s	TUNE Ope
SWD	Sample PI control time span	EASY		

Note1: Even if the parameter D (derivative time) is set, the setting is invalid.

Note

When changing the setpoint of the parameter PIDG., if the setpoint of the parameter PIDN which belongs to the SP menu is larger than that of the parameter PIDG., the PIDN setpoint is changed to the PIDG. setpoint.

A guideline for STM is $LM + TM \times (2 \text{ to } 3)$. (LM: Equivalent dead time, TM: Equivalent time constant)

A guideline for SWD is $STM/10$.

Control is not executed when $SWD = 0$.

PI control is always executed when $SWD (\neq 0) \geq STM$.

For models with the /MDL option, configure using the LL50A Parameter Setting Software (sold separately) or through communication.

8.2.7 Batch PID Control (Performing Control with Rapidly Settling Setpoints)

Description

Batch PID control is useful for cases where control is performed causing the PV to settle to a target setpoint (SP) as quickly as possible without overshooting.

If a deviation (E) exceeding a batch PID deviation setpoint (BD) occurs, the controller outputs the control output high limit (OH) to quickly bring the PV to the SP (in the case of reverse action).

If a deviation (E) falls within the batch PID deviation setpoint (BD), the controller determines that the process is in a steady state and changes to PID control.

Upon changing to PID control, the controller starts to output from $OUT = OH - BB$

to avoid an overshoot in the PV.

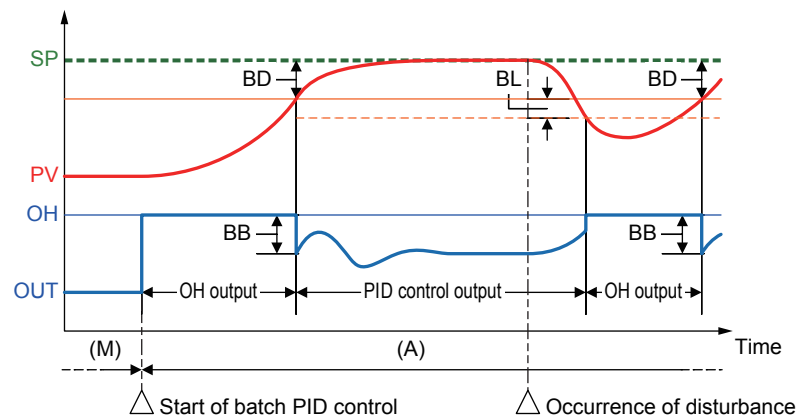
where batch PID bias (BB): Amount of output pulled back

If the deviation (E) exceeds the batch PID deviation setpoint (BD) after the controller has switched to PID control (steady state), no control output high limit (OH) will be output unless the deviation exceeds the batch PID lock-up width (BL).

Moreover, in the case of direct action, the controller outputs the control output low limit (OL) instead of the control output high limit (OH), making the batch PID bias (BB) act in the positive direction.

The following shows the action in Batch PID control.

Batch PID control is started as MAN is changed into AUTO.



where OUT: control output, OH: output high limit, SP: target setpoint, and PV: measured input

Batch PID control also starts when the SP is changed or when the operation mode is switched from STOP to RUN.

8.2 Setting Control Type (CNT)

Setting Details

Parameter symbol	Name	Display level	Setting range	Menu symbol
CNT	Control type	EASY	PID: PID control ONOF: ON/OFF control (1 point of hysteresis) ONOF2: ON/OFF control (2 points of hysteresis) 2P2L: Two-position two-level control H/C: Heating/cooling control S-PI: Sample PI control BATCH: Batch PID control FFPID: Feedforward control	CTL Set
P	Proportional band	EASY	0.0 to 999.9% When 0.0% is set, it operates as 0.1%.	PID Ope
I	Integral time	EASY	OFF: Disable 1 to 6000 s	
D	Derivative time	EASY	OFF: Disable 1 to 6000 s	
PIDN	PID number selection	EASY	1 to 8	SP Ope
PIDG.	Number of PID groups	STD	1 to 8	CTL Set
BD	Batch PID deviation setpoint	PRO	0.0 to 100.0% of PV input range span (EUS)	TUNE Ope
BB	Batch PID bias	PRO	0.0 to 100.0%	
BL	Batch PID lock-up width	PRO	0.0 to 100.0% of PV input range span (EUS)	

Note

When changing the setpoint of the parameter PIDG., if the setpoint of the parameter PIDN which belongs to the SP menu is larger than that of the parameter PIDG., the PIDN setpoint is changed to the PIDG. setpoint.

For models with the /MDL option, configure using the LL50A Parameter Setting Software (sold separately) or through communication.

8.2.8 Feedforward Control

Description

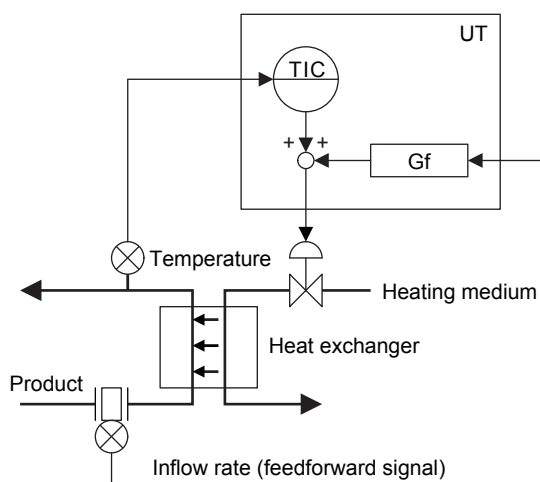
Using only the feedback control results in a delay in recovery of the control target to normal status because PID action occurs only when the effects of disturbance appear on a PV.

If disturbance can be measured, a correction signal with respect to the disturbance can be applied in advance to the controller's output (OUT) to cancel out the disturbance before it affects the control target.

This is called feedforward control.

Improving heat exchanger controllability

For simple heat exchanger control, the addition of feedforward control enables compensation to be made for variations in the inflow rate.



Note

For Feedforward control, it is necessary to use the controller (UT55A-x7) equipped with AIN2 aux. analog input or to build the function by LL50A Parameter Setting Software with unused aux. analog input.

- ▶ [Controller with AIN2 aux. analog input: 8.1 Setting Control Mode \(CTLM\), Function Block Diagram](#)

8.2 Setting Control Type (CNT)

Operation Description

The parameters that perform gain operation (feedforward gain (FGN)) and bias operation (feedforward input bias (FBI) and feedforward output bias (FBO)) for a disturbance measurement input signal (feedforward input (FF_CTL)) are provided.

FIN is within the range of -100.0 to 100.0%. FF_CTL is within the range of -5.0 to 105.0% Analog input scale (AIN2 or AIN4) for the feedforward input is necessary to be set to “0 to 100.”

$$OUT = OUT_c + FIN$$

$$FIN = FGN \left(\frac{1}{1 + FLG \cdot s} \cdot FF_CTL + FBI \right) + FBO$$

where OUT: control output, OUT_c: feedback control output, s: Laplacian operator, FF_CTL: feedforward input, and FLG: feedforward first-order lag time constant

Feedforward input can be confirmed using LL50A Parameter Setting Software.

Setting Details

Parameter symbol	Name	Display level	Setting range	Menu symbol
CNT	Control type	EASY	PID: PID control ONOF: ON/OFF control (1 point of hysteresis) ONOF2: ON/OFF control (2 points of hysteresis) 2P2L: Two-position two-level control H/C: Heating/cooling control S-PI: Sample PI control BATCH: Batch PID control FFPID: Feedforward controll	CTL Set
P	Proportional band)	EASY	0.0 to 999.9% When 0.0% is set, it operates as 0.1%. Heating-side ON/OFF control applies when 0.0% in Heating/cooling control.	PID Ope
I	Integral time	EASY	OFF: Disable 1 to 6000 s	
D	Derivative time	EASY	OFF: Disable 1 to 6000 s	
PIDN	PID number selection	EASY	1 to 8	SP Ope
PIDG.	Number of PID groups	STD	1 to 8	CTL Set
FLG	Feedforward first-order lag time constant	PRO	OFF, 1 to 120 s	TUNE Ope
FGN	Feedforward gain		-9.999 to 9.999	
FBI	Feedforward input bias		-100.0 to 100.0%	
FBO	Feedforward output bias		-999.9 to 999.9%	

Note

When changing the setpoint of the parameter PIDG., if the setpoint of the parameter PIDN which belongs to the SP menu is larger than that of the parameter PIDG., the PIDN setpoint is changed to the PIDG. setpoint.

For models with the /MDL option, configure using the LL50A Parameter Setting Software (sold separately) or through communication.

8.3 Setting PID Control Mode (ALG)

Description

There are two PID control modes: standard PID control mode and fixed-point control mode.

Select a PID control computation formula shown in the following table according to the control mode or operation mode.

Single-loop Control, Loop Control for Backup, Loop Control with PV Switching, Loop Control with PV Auto-selector, and Loop Control with PV-hold Function.

	Operation mode	
	AUTO+Local	AUTO+Remote
Standard PID control mode	PV derivative type (output bump at SP change)	Deviation derivative type
Fixed-point control mode	PV derivative type (output bumpless at SP change)	PV derivative type (output bump at SP change)

Cascade Primary-loop Control

	Operation mode	
	Cascade+Local	Cascade+Remote
Standard PID control mode	PV derivative type (output bump at SP change)	Deviation derivative type
Fixed-point control mode	PV derivative type (output bump at SP change)	PV derivative type (output bump at SP change)

Cascade Secondary-loop Control

	Operation mode		
	AUTO+Local	AUTO+Remote	Cascade
Standard PID control mode	PV derivative type (output bump at SP change)	Deviation derivative type	Deviation derivative type
Fixed-point control mode	PV derivative type (output bumpless at SP change)	PV derivative type (output bump at SP change)	PV derivative type (output bump at SP change)

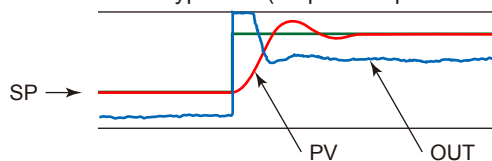
PV Derivative Type PID

This is a PID control method in which the derivative action works only on the PV. It can also eliminate output bump due to SP changing operation in Local mode. The following shows the PV derivative type PID control computation formula.

$$OUT = \frac{100}{P} \left(e + \frac{1}{Ti} \int e \cdot dt + Td \frac{d}{dt} \cdot \Delta PV \right)$$

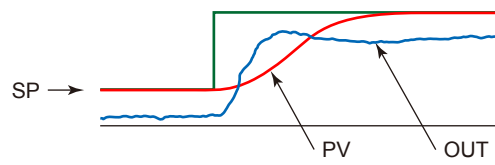
where OUT: control output, e: deviation (PV-SP), P: proportional band, Ti: integral time, Td: derivative time, and ΔPV : $PV_n - PV_{n-1}$ (n-1: value before one control period)

PV Derivative Type PID (output bump at SP change)



8.3 Setting PID Control Mode (ALG)

PV Derivative Type PID (output bumpless at SP change)



Deviation Derivative Type PID

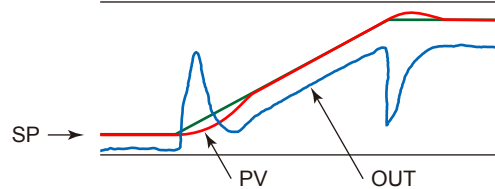
The PID control method in which derivative action works for the deviation value = PV – SP.

The derivative action works for a SP change, so this method is useful for cases like Cascade secondary-loop control where the SP-following capability is important.

The following shows the deviation derivative type PID control computation formula.

$$OUT = \frac{100}{P} \left(e + \frac{1}{T_i} \int e \cdot dt + T_d \frac{d}{dt} \cdot e \right)$$

where OUT: control output, e: deviation (PV-SP), P: proportional band, Ti: integral time, and Td: derivative time



Setting Details

Parameter symbol	Name	Display level	Setting range	Menu symbol
ALG	PID control mode	PRO	0: Standard PID control mode 1: Fixed-point control mode.	CTL Set

For models with the /MDL option, configure using the LL50A Parameter Setting Software (sold separately) or through communication.

8.4 Switching PID

8.4.1 Switching PID According to Target Setpoint Number (SPNO)

Description

The SP group number selection selects a group of target setpoint (SP) and PID parameters by switching the SP number (SPNO).

The PID number selection (PIDN) can be set for each SP group.





SP number (SPNO)	SP	PID parameter group
1	SP of group 1	Specify using the parameter PIDN of group 1
2	SP of group 2	Specify using the parameter PIDN of group 2
3	SP of group 3	Specify using the parameter PIDN of group 3
4	SP of group 4	Specify using the parameter PIDN of group 4
5	SP of group 5	Specify using the parameter PIDN of group 5
6	SP of group 6	Specify using the parameter PIDN of group 6
7	SP of group 7	Specify using the parameter PIDN of group 7
8	SP of group 8	Specify using the parameter PIDN of group 8

When ZON=0 (SP group number selection 1): In coordinated operation, slaves operate with the same PID number as that of the master.

The setpoint in the PID number selection (PIDN) within the SP group is ignored.

When ZON=3 (SP group number selection 2): In coordinated operation, slaves operate with the setpoint in the PID number selection (PIDN) within the SP group.

Setting Details

Parameter symbol	Name	Display level	Setting range	Menu symbol
ZON	Zone PID selection	STD	0: SP group number selection 1 1: Zone PID selection (selection by PV) 2: Zone PID selection (selection by target SP) 3: SP group number selection 2 4: Zone PID selection (selection by SP)	CTL 
PIDN	PID number selection	EASY	1 to 8 (Depends on the setup parameter PIDG. setting.)	SP 
PID	PID number (display only)	EASY	1 to 8	MODE 
PIDG.	Number of PID groups	STD	1 to 8	CTL 

Note1: The initial values for PIDN of the eight groups are same as SP number selection (SPNO.).

Set a PID number to use as necessary.

Note2: In Cascade control, the LP2 lamp is lit while the Loop-2 parameter is displayed.

Note3: A currently-used PID number is displayed for the parameter PID.

Note

When changing the setpoint of the parameter PIDG., if the setpoint of the parameter PIDN which belongs to the SP menu is larger than that of the parameter PIDG., the PIDN setpoint is changed to the PIDG. setpoint.

For models with the /MDL option, configure using the LL50A Parameter Setting Software (sold separately) or through communication.

8.4.2 Switching PID According to PV

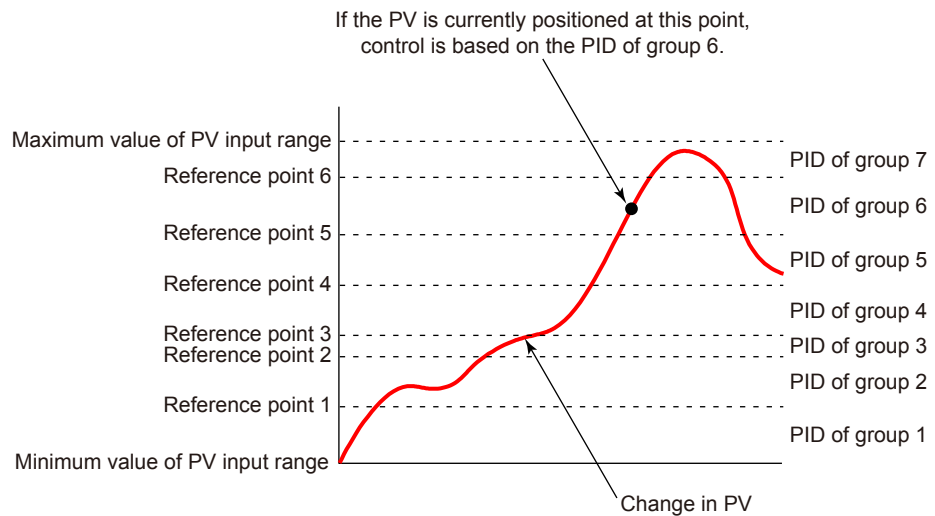
Description

The PID switching according to PV is a function that switches between the groups of PID parameters according to the PV.

The maximum number of PID groups to be switched is 8. (Set RP1 to RP7.)

This function is useful for reactors in which the chemical reaction gain changes depending on the temperature.

The figure below shows an example of dividing the PV input range from the maximum value to the minimum value into seven zones by reference points 1 to 6. (Set RP1 to RP6.)



The PV input range can be divided into the number of zones that is set in the reference point.

Hysteresis at the time of zone switch can be set.

▶ [Setpoint PD: 8.4.6 Setting Hysteresis at Time of Zone Switch](#)

Reference deviation can be set at the same time.

▶ [Reference deviation: 8.4.5 Switching PID according to Deviation \(Reference Deviation\)](#)

Setting Details

Parameter symbol	Name	Display level	Setting range	Menu symbol
ZON	Zone PID selection	STD	0: SP group number selection 1 1: Zone PID selection (selection by PV) 2: Zone PID selection (selection by target SP) 3: SP group number selection 2 4: Zone PID selection (selection by SP)	CTL Set
RP1 to RP7	Reference point 1 to 7	STD	0.0 to 100.0% of PV input range (EU) ($RP1 \leq RP2 \leq RP3 \leq RP4 \leq RP5 \leq RP6 \leq RP7$)	ZONE Ope
PIDG.	Number of PID groups	STD	1 to 8	CTL Set
PID	PID number (display only)	EASY	1 to 8, R: PID group for reference deviation	MODE Ope

Note1: In Cascade control, the LP2 lamp is lit while the Loop-2 parameter is displayed.

Note2: A currently-used PID number is displayed for the parameter PID.

Note

When changing the setpoint of the parameter PIDG., if the setpoint of the parameter PIDN which belongs to the SP menu is larger than that of the parameter PIDG., the PIDN setpoint is changed to the PIDG. setpoint.

For models with the /MDL option, configure using the LL50A Parameter Setting Software (sold separately) or through communication.

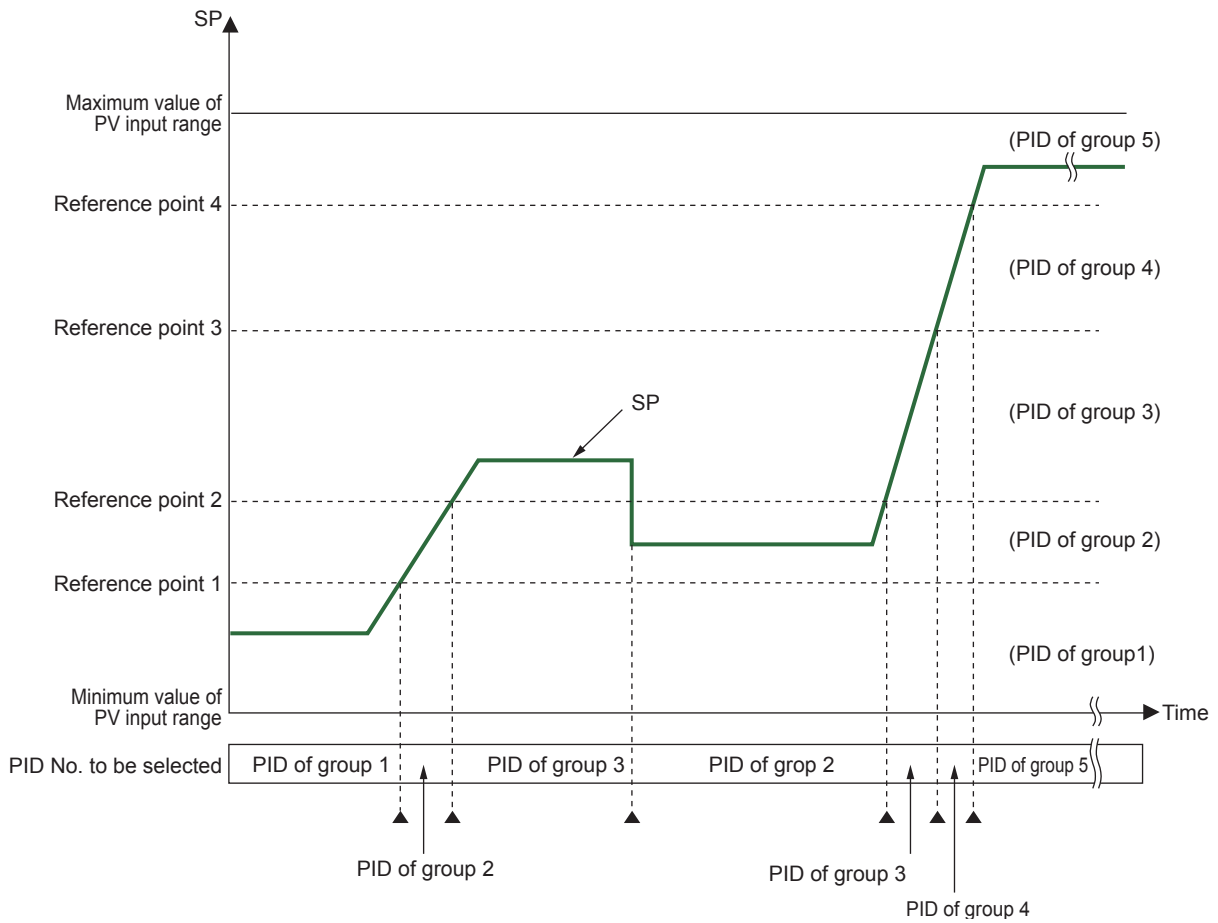
8.4.3 Switching PID According to SP

Description

The zone PID selection by SP switches between the groups of PID parameters according to the SP.

The maximum number of PID groups to be switched is 8. (Set RP1 to RP7)

The figure below shows the example of switching the group of PID parameters according to the SP. It shows an example of dividing the PV input range from the maximum value to the minimum value into five zones by reference points 1 to 4. (Set RP1 to RP4.)



The PV input range can be divided into the number of zones that is set in the reference point.

Reference deviation can be set at the same time.

▶ [Reference deviation: 8.4.5 Switching PID according to Deviation \(Reference Deviation\)](#)

Setting Details

Parameter symbol	Name	Display level	Setting range	Menu symbol
ZON	Zone PID selection	STD	0: SP group number selection 1 1: Zone PID selection (selection by PV) 2: Zone PID selection (selection by target SP) 3: SP group number selection 2 4: Zone PID selection (selection by SP)	CTL Set
RP1 to RP7	Reference point 1 to 7	STD	0.0 to 100.0% of PV input range (EU) ($RP1 \leq RP2 \leq RP3 \leq RP4 \leq RP5 \leq RP6 \leq RP7$)	ZONE Ope
PIDG.	Number of PID groups	STD	1 to 8	CTL Set
PID	PID number (display only)	EASY	1 to 8, R: PID group for reference deviation	MODE Ope

Note1: In Cascade control, the LP2 lamp is lit while the Loop-2 parameter is displayed.

Note2: A currently-used PID number is displayed for the parameter PID.

Note

When changing the setpoint of the parameter PIDG., if the setpoint of the parameter PIDN which belongs to the SP menu is larger than that of the parameter PIDG., the PIDN setpoint is changed to the PIDG. setpoint.

For models with the /MDL option, configure using the LL50A Parameter Setting Software (sold separately) or through communication.

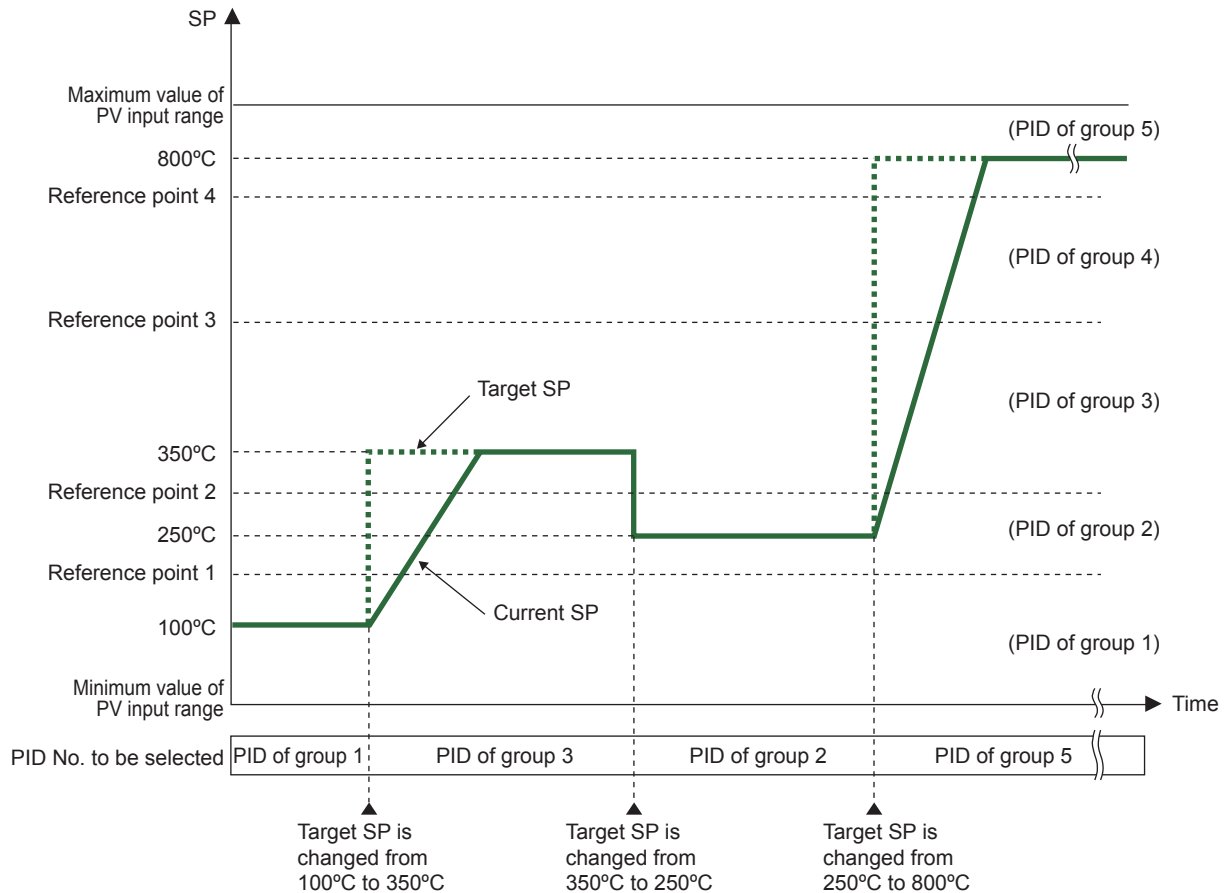
8.4 Switching PID

8.4.4 Switching PID According to Target SP

Description

The zone PID selection by target SP switches between the groups of PID parameters according to the target SP.

The figure below shows the example of switching the group of PID parameters according to the target SP. It shows an example of dividing the PV input range from the maximum value to the minimum value into five zones by reference points 1 to 4. (Set RP1 to RP4.)



The PV input range can be divided into the number of zones that is set in the reference point.

Reference deviation can be set at the same time.

▶ [Reference deviation: 8.4.5 Switching PID according to Deviation \(Reference Deviation\)](#)

Setting Details

Parameter symbol	Name	Display level	Setting range	Menu symbol
ZON	Zone PID selection	STD	0: SP group number selection 1 1: Zone PID selection (selection by PV) 2: Zone PID selection (selection by target SP) 3: SP group number selection 2 4: Zone PID selection (selection by SP)	CTL Set
RP1 to RP7	Reference point 1 to 7	STD	0.0 to 100.0% of PV input range (EU) ($RP1 \leq RP2 \leq RP3 \leq RP4 \leq RP5 \leq RP6 \leq RP7$)	ZONE Ope
PIDG.	Number of PID groups	STD	1 to 8	CTL Set
PID	PID number (display number)	EASY	1 to 8, R: PID group for reference deviation	MODE Ope

Note1: In Cascade control, the LP2 lamp is lit while the Loop-2 parameter is displayed.

Note2: A currently-used PID number is displayed for the parameter PID.

Note

When changing the setpoint of the parameter PIDG., if the setpoint of the parameter PIDN which belongs to the SP menu is larger than that of the parameter PIDG., the PIDN setpoint is changed to the PIDG. setpoint.

For models with the /MDL option, configure using the LL50A Parameter Setting Software (sold separately) or through communication.

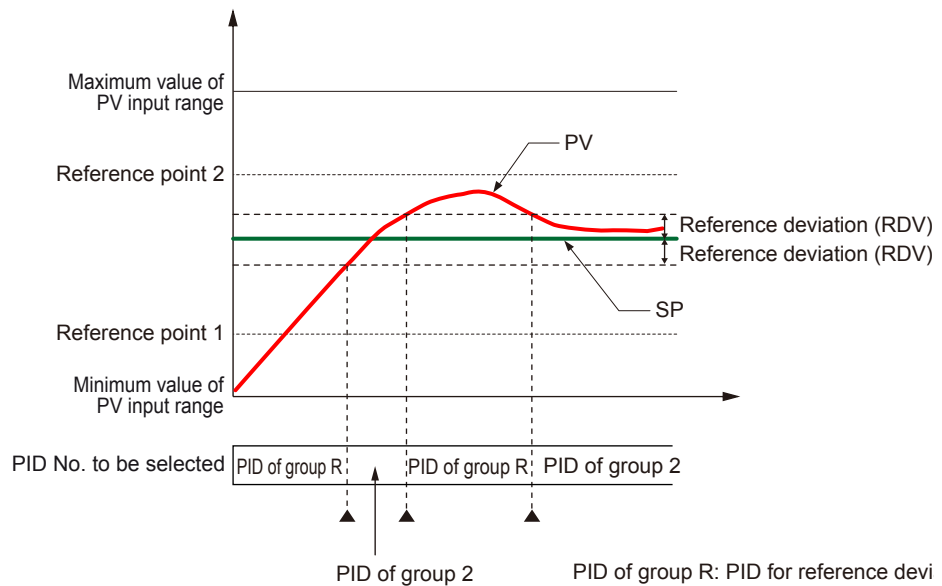
8.4.5 Switching PID According to Deviation (Reference Deviation)

Description

The zone PID selection by deviation switches between the groups of PID parameters according to the amount of deviation. This function is called “reference deviation.”

In the fixed point control, if the actual amount of deviation exceeds the setpoint of the reference deviation, the controller automatically changes to the PID parameter group (PID of group R) set for the zone. If the actual amount of deviation becomes smaller than the setpoint of reference deviation, the controller changes to the PID parameter group appropriate for the zone.

For example, if the deviation is large, PV can be reached more rapidly to SP by increasing the proportional gain (i.e., narrowing the proportional band). Switching PID according to deviation is effective when ZON is set to 1, 2, 4. The zone PID selection by reference deviation has priority over other zone PID selections.



Setting Details

Parameter symbol	Name	Display level	Setting range	Menu symbol
ZON	Zone PID selection	STD	0: SP group number selection 1 1: Zone PID selection (selection by PV) 2: Zone PID selection (selection by target SP) 3: SP group number selection 2 4: Zone PID selection (selection by SP)	CTL Set
RDV	Reference deviation	STD	OFF: Disable 0.0 + 1 digit to 100.0% of PV input range span (EUS)	ZONE Ope
PID	PID number (display only)	EASY	1 to 8, R: PID group for reference deviation	MODE Ope

Note1: In Cascade control, the LP2 lamp is lit while the Loop-2 parameter is displayed.
 Note2: A currently-used PID number is displayed for the parameter PID.

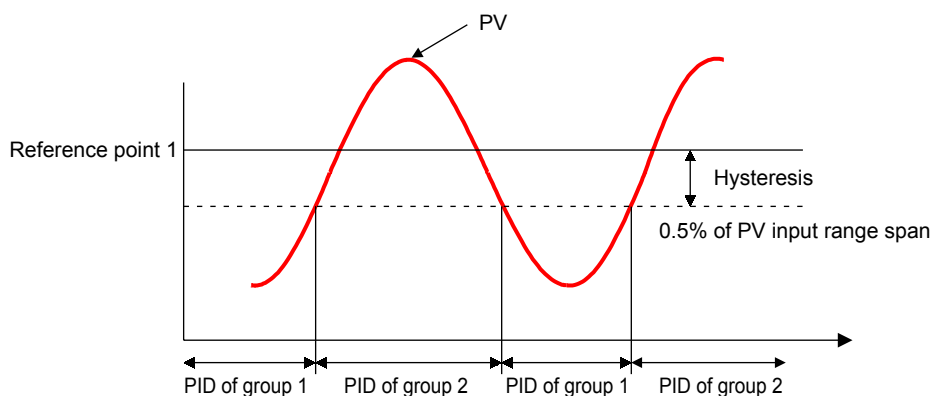
For models with the /MDL option, configure using the LL50A Parameter Setting Software (sold separately) or through communication.

8.4.6 Setting Hysteresis at Time of PID Switch

Description

When the zone PID selection is selected, hysteresis at time of each zone switch can be set.

The following shows the operation example of hysteresis at time of zone switch.



Setting Details

Parameter symbol	Name	Display level	Setting range	Menu symbol
RHY	Zone PID switching hysteresis	STD	0.0 to 10.0% of PV input range span (EUS)	ZONE Ope

Note1: In Cascade control, the LP2 lamp is lit while the Loop-2 parameter is displayed.

For models with the /MDL option, configure using the LL50A Parameter Setting Software (sold separately) or through communication.

8.4.7 Switching PID by Contact Input

Description

PID can be switching by contact input.

Setting Details

- ▶ [Contact input assignment: 12.1 Setting Contact Input Function](#)

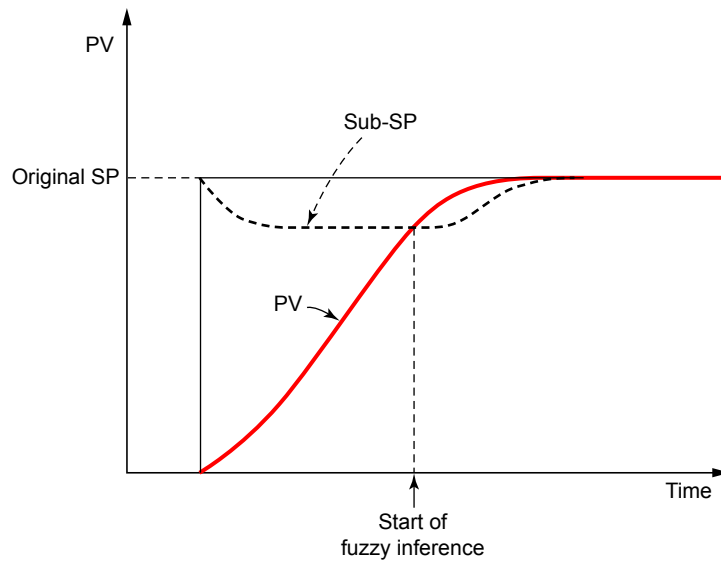
8.5 Suppressing Overshoot (Super Function)

Description

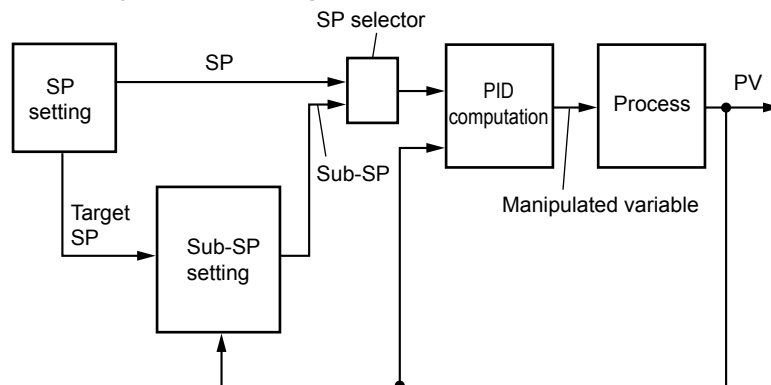
The Super function monitors the deviation for evidence that there is a danger of overshoot, and on sensing such danger automatically changes the setpoint temporarily to a somewhat lower value (sub-SP).

Once the danger of overshoot appears diminished, the function returns the effective SP gradually to the true SP. "Fuzzy ratiocination" techniques are employed in the algorithms used to change the SP to the lower temporary value, and to return it gradually to the true SP.

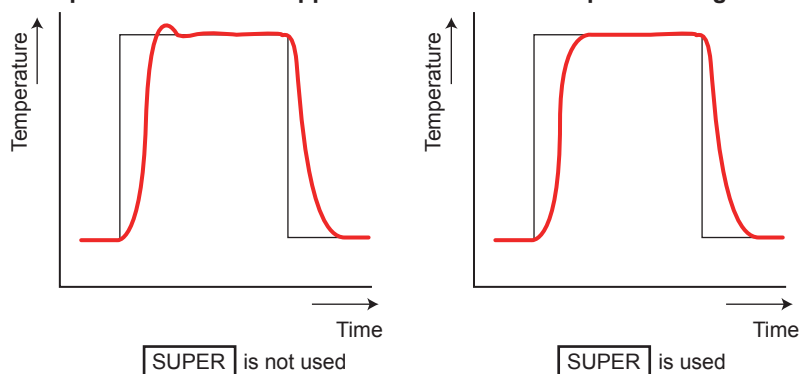
Operation Diagram



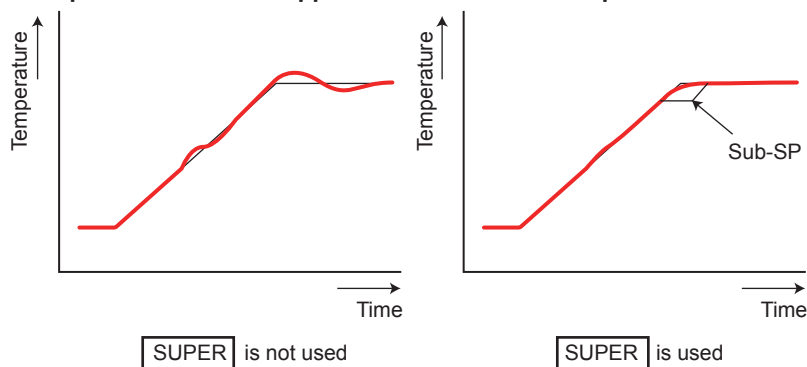
Control System Block Diagram



Example of Overshoot Suppression Control for Setpoint Changes



Example of Overshoot Suppression Control for Ramp-to-soak Transition



Setting Details

Parameter symbol	Name	Display level	Setting range	Menu symbol
SC	Super function	EASY	OFF: Disable 1: Overshoot suppressing function (normal mode) 2: Hunting suppressing function (stable mode) 3: Hunting suppressing function (response mode) 4: Overshoot suppressing function (strong suppressing mode)	TUNE Ope

Note1: In Cascade control, the LP2 lamp is lit while the Loop-2 parameter is displayed.

The setting SC=4 is effective compared with SC=1. However, the hunting may occur until the PV reaches SP. Use it as usage.

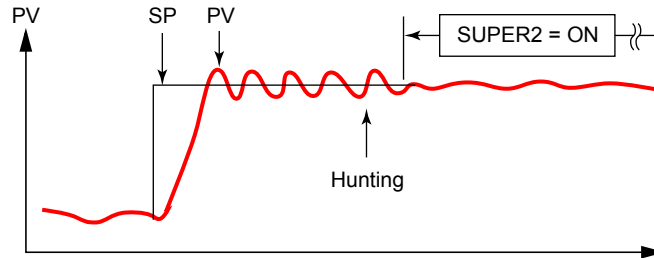
Do not use the Super function for the Sample PI control.

For models with the /MDL option, configure using the LL50A Parameter Setting Software (sold separately) or through communication.

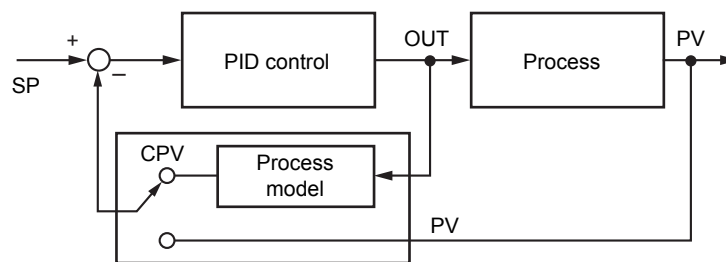
8.6 Suppressing Hunting (Super2 Function)

Description

The Super2 function suppresses the hunting effect of the controller without re-tuning the PID parameters.
Hunting means the PV becomes unstable and oscillates around SP.

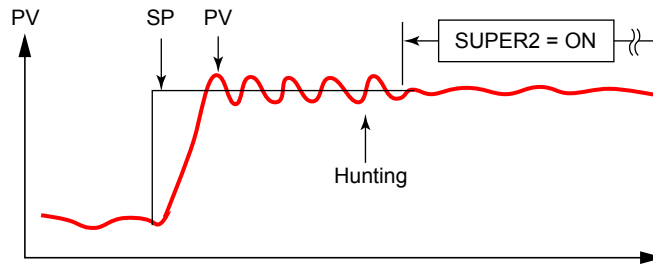


- In hunting condition, the Super2 function selects the output from process model as PV signal.
- The process model removes a factor of dead time from the actual process.
- The real process is under the open-loop condition.
- After hunting is suppressed, the Super2 function selects real PV signal, and carry out the standard feedback control.

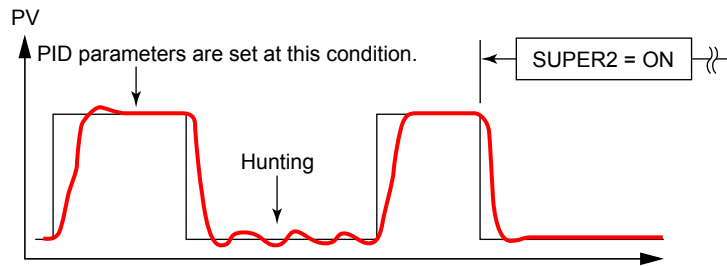


Effects of Super2

Load change



Temperature change



Setting Details

Parameter symbol	Name	Display level	Setting range	Menu symbol
SC	Super function	EASY	OFF: Disable 1: Overshoot suppressing function (normal mode) 2: Hunting suppressing function (stable mode) 3: Hunting suppressing function (response mode) 4: Overshoot suppressing function (strong suppressing mode).	TUNE Ope

Note1: In Cascade control, the LP2 lamp is lit while the Loop-2 parameter is displayed.

Set SC=2 when there are a lot of disturbances, and much hunting occurs.
 Set SC=3 when SP is changed frequently. Hunting suppressing effect is smaller than that of SC=2, however, responsiveness is good.

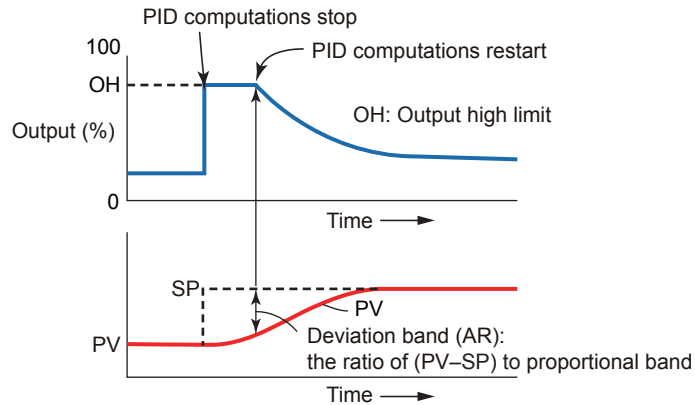
Do not use the Super function for the Sample PI control.
 The Super function does not work in direct action.

For models with the /MDL option, configure using the LL50A Parameter Setting Software (sold separately) or through communication.

8.7 Suppressing Integral Action (Anti-reset Wind-up)

Description

Where there is a large deviation at the start of the control operation, for example, integral outputs are accumulated and the PV exceeds the SP, thereby causing the output to overshoot. To avoid this, the controller provides an anti-reset wind-up function for suppressing an extreme integral output by stopping PID computations. Same applies to the case of undershoot.



The parameter AR sets the point (by deviation band (%)) to restart the PID computation that is suspended by the controller's anti-reset windup function. PID computation restarts when the deviation band has decreased to the AR setpoint. When the parameter AR is set to AUTO, the controller automatically determines the point at which to restart the PID computation.

$$\text{Deviation band (= Setpoint of AR)} = \frac{|PV - SP|}{\text{Proportional band}} \times 100 (\%)$$

Setting Details

Parameter symbol	Name	Display level	Setting range	Menu symbol
AR	Anti-reset windup	STD	AUTO, 50.0 to 200.0%	TUNE Ope

Note1: In Cascade control, the LP2 lamp is lit while the Loop-2 parameter is displayed.

For models with the /MDL option, configure using the LL50A Parameter Setting Software (sold separately) or through communication.

8.8 Performing Non-linear PID Control

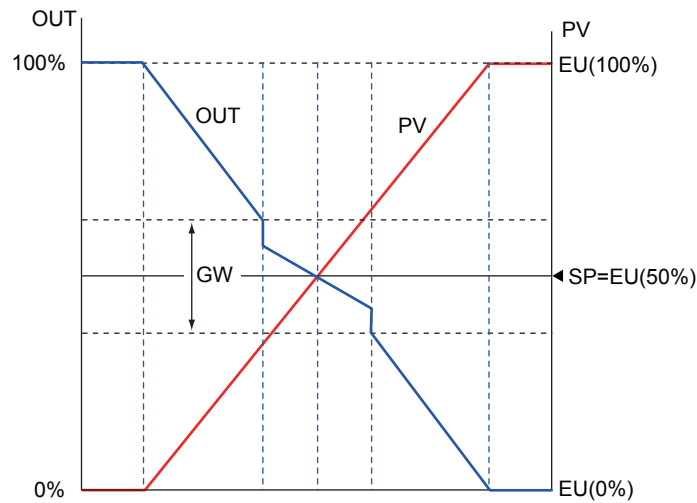
Description

If a deviation (E) is smaller than the non-linear control gap width (GW), it is computed as a proportional added the non-lenear control gain (GG).

Proportional Band (CPB) = Proportional Band (P) / GG

* $|E| \leq GW / 2$

However, CPB is limited by 0.1 to 999.9%.



Control output will change smoothly (i.e., without any bumps) when CPB switches.

Note

In heating/cooling control, do not use non-linear PID control.

Setting Details

Parameter symbol	Name	Display level	Setting range	Menu symbol
GW	Non-linear control gap width	PRO	OFF, 0.0%+1digit to 50.0% of PV input range span (EUS)	TUNE Ope
GG	Non-linear control gain	PRO	0.001 to 1.000	

Note1: In Cascade control, the LP2 lamp is lit while the Loop-2 parameter is displayed.

For models with the /MDL option, configure using the LL50A Parameter Setting Software (sold separately) or through communication.

8.9 Adjusting Auto-tuning Operation

Description

Auto-tuning Type

“Normal” of auto-tuning type requires a rapidly rising PID constant. This type is useful for processes that allow some overshooting.

On the other hand, “stable” of auto-tuning type requires a slowly rising PID constant.

Auto-tuning Output Limiter

When executing auto-tuning, the control output high and low limits can be set.


When the control output low limit > AT.OL, or AT.OH < control output high limit, auto-tuning is limited by the control output low or high limit.

In Heating/cooling control, AT.OH and AT.OL do not work.

Note

In time proportional output, the output is turned on and off irrespective of the upper/lower limit.

Setting Details

Parameter symbol	Name	Display level	Setting range	Menu symbol
AT.TY	Auto-tuning type	STD	0: Normal 1: Stability	TUNE 
AT.OH	Output high limit in auto-tuning	PRO	-5.0 to 105.0% (Disabled in Heating/cooling control)	
AT.OL	Output low limit in auto-tuning	PRO		

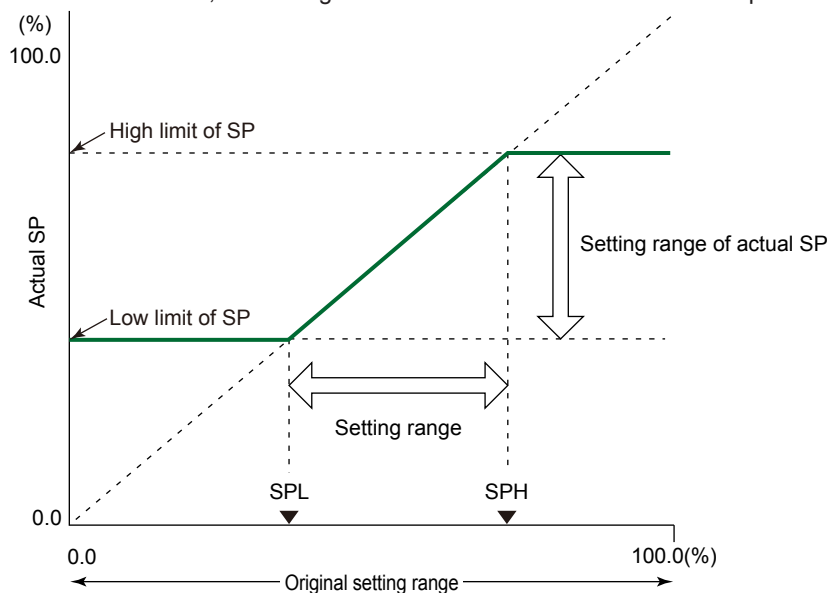
Note1: In Cascade control, the LP2 lamp is lit while the Loop-2 parameter is displayed.

For models with the /MDL option, configure using the LL50A Parameter Setting Software (sold separately) or through communication.

9.1 Setting SP Limiter

Description

The SP high and low limits can be set to restrict the SP to the range between those limits whether in REM (remote) or LCL (local) mode. They works to the SP of all SP groups. In Cascade control, the SP high and low limits can be set for both Loop1 and Loop 2.



▶ SP group: 6.2 Setting Target Setpoint

Setting Details

Parameter symbol	Name	Display level	Setting range	Menu symbol
SPH	SP high limit	STD	0.0 to 100.0% of PV input range	MPV Set
SPL	SP low limit	STD	(EU), (SPL<SPH)	

Note1: In Cascade control, the LP2 lamp is lit while the Loop-2 parameter is displayed.

For models with the /MDL option, configure using the LL50A Parameter Setting Software (sold separately) or through communication.

9.2 Changing SP at a Fixed Rate (SP Ramp-Rate Setting Function)

Description

SP ramp-rate setting function forces SP to change at a fixed rate when SP is changed in order to prevent abrupt changes in SP.

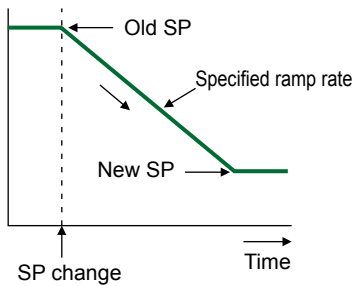
Velocity (rate-of-change) can be set for both the SP ramp-up rate (UPR) and SP ramp-down rate (DNR). Set the ramp-rate time unit (TMU) per hour or minute.

The SP ramp-rate setting function works when:

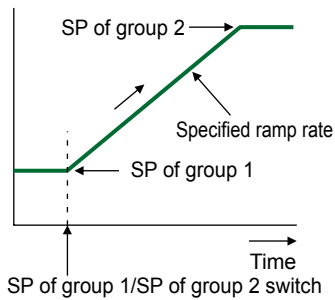
- (1) SP is changed.
- (2) SP is changed by switching SP number (SPNO).
- (3) Power is turned on or has recovered from a failure (PV tracking=ON); or
- (4) Operation mode is switched from MAN to AUTO (PV tracking=ON).

SP ramp-rate setting action starts from PV when the PV tracking function is used.

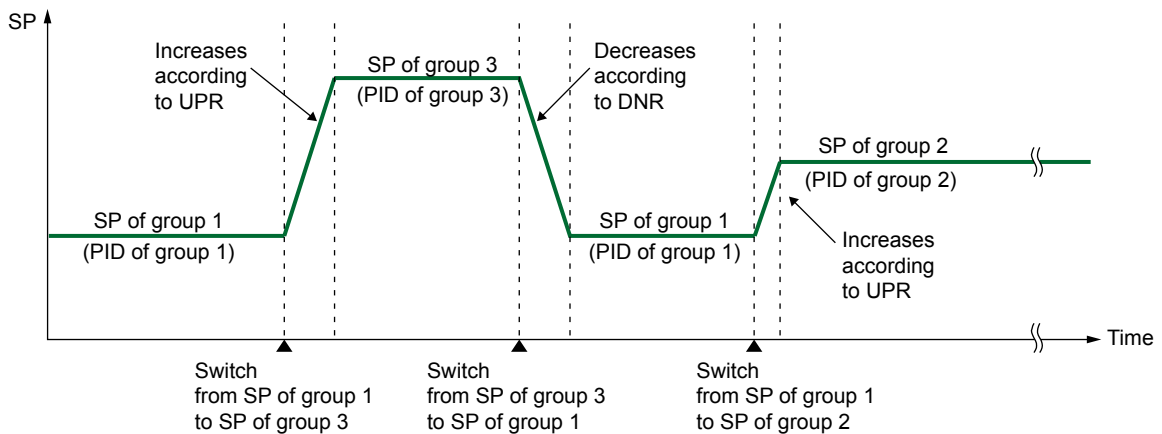
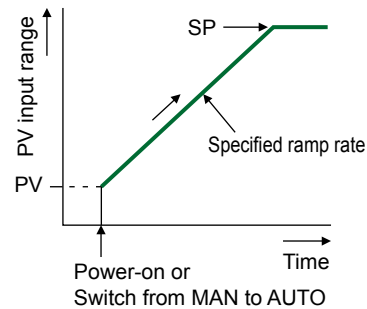
(1) When SP is changed



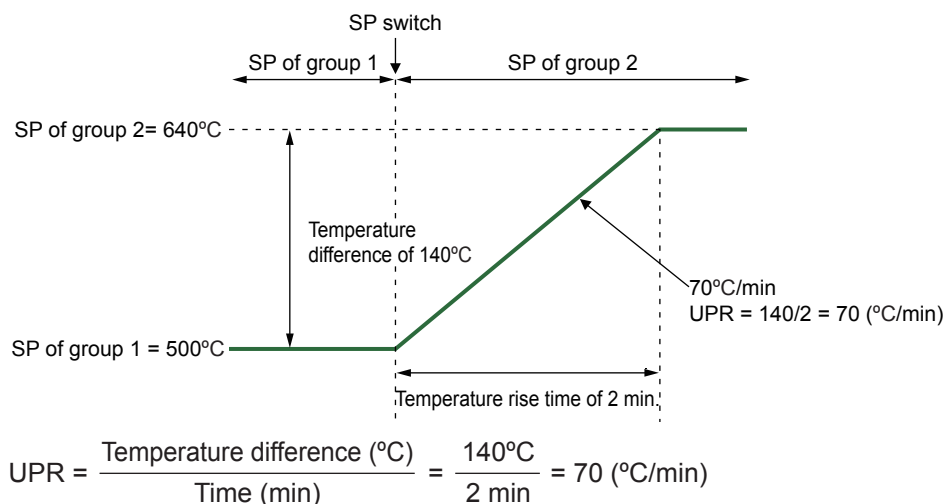
(2) When SP No. (SPNO) is switched



(3) When power is turned on (or power has recovered)
(4) When operation mode is switched from MAN to AUTO



9.2 Changing SP at a Fixed Rate (SP Ramp-Rate Setting Function)



Setting Details

Parameter symbol	Name	Display level	Setting range	Menu symbol
UPR	SP ramp-up rate	EASY	OFF, 0.0 + 1 digit to 100.0% of PV input range span (EUS)	SPS Ope
DNR	SP ramp-down rate	EASY		
TMU	SP ramp-rate time unit	EASY	HOUR: Ramp-up rate or ramp-down rate per hour MIN: Ramp-up rate or ramp-down rate per minute	

Note1: In Cascade control, the LP2 lamp is lit while the Loop-2 parameter is displayed.

For models with the /MDL option, configure using the LL50A Parameter Setting Software (sold separately) or through communication.

9.3 Forcing SP to Track PV (PV Tracking)

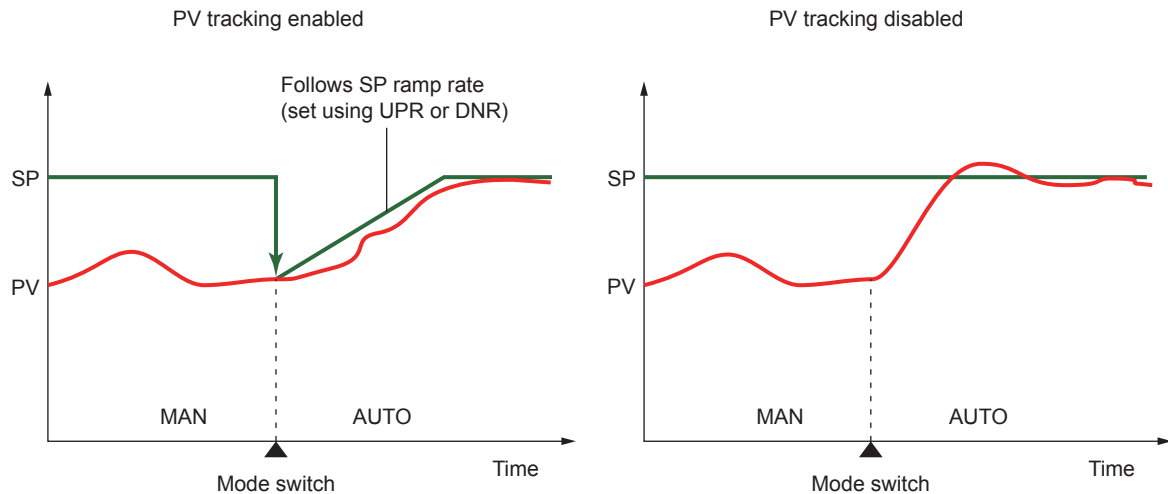
Description

PV tracking function is used to prevent abrupt PV changes. With PV tracking, SP is first aligned with PV and then changed to its original SP at the SP ramp rate.

► [SP ramp-rate setting function: 9.2 Changing SP at a Fixed Rate \(SP Ramp-Rate Setting Function\)](#)

PV tracking function works when:

- (1) Power is turned on or has recovered from a failure,
- (2) SP number (SPNO) is changed,
- (3) Operation mode is switched from STOP to RUN,
- (4) Operation mode is switched from MAN to AUTO,
- (5) Operation mode is switched from MAN to CAS (in Cascade control); or
- (6) Output tracking flag is switched from ON to OFF (in Cascade primary-loop control or Loop control for backup)



Setting Details

Parameter symbol	Name	Display level	Setting range	Menu symbol
PVT	PV tracking selection	STD	OFF, ON	SPS Ope

Note1: In Cascade control, the LP2 lamp is lit while the Loop-2 parameter is displayed.

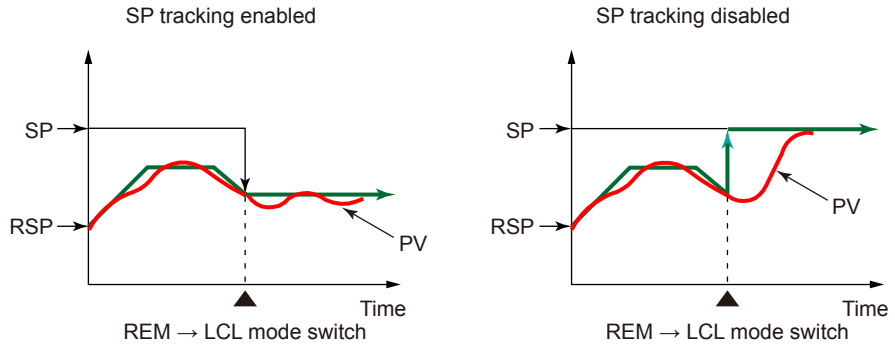
For models with the /MDL option, configure using the LL50A Parameter Setting Software (sold separately) or through communication.

9.4 Forcing SP to Track Remote Input (SP Tracking)

Description

SP tracking function is the function to force the local setpoint (SP) to track the remote setpoint (RSP) when the operation mode is switched from REM (remote) to LCL (local) mode.

The function is effective to prevent abrupt PV changes.



Setting Details

Parameter symbol	Name	Display level	Setting range	Menu symbol
SPT	SP tracking selection	STD	OFF, ON	SPS Ope

Note1: In Cascade control, the LP2 lamp is lit while the Loop-2 parameter is displayed.

For models with the /MDL option, configure using the LL50A Parameter Setting Software (sold separately) or through communication.

9.5 Setting Controller Action at Power ON (Restart Mode)

Description

For details, see Chapter 15, “Power Failure Recovery Processing.”

Setting Details

Parameter symbol	Name	Display level	Setting range	Menu symbol
R.MD	Restart Mode	STD	Set how the controller should recover from a power failure of 5 seconds or more. CONT: Continue action set before power failure. MAN: Start from MAN. AUTO: Start from AUTO.	SYS Set

The preset output (PO) is output in MAN or AUTO mode.

For models with the /MDL option, configure using the LL50A Parameter Setting Software (sold separately) or through communication.

9.6 Setting Time between Powering on Controller and Starting Control (Restart Timer)

Description

The time between power on and the instant where controller starts control computation can be set.

Operation start time = Operating time of controller initialization after power on.

Setting Details

Parameter symbol	Name	Display level	Setting range	Menu symbol
R.TM	Restart Timer	STD	0 to 10 s	SYS Set

For models with the /MDL option, configure using the LL50A Parameter Setting Software (sold separately) or through communication.

10.1 Setting Control Output Type

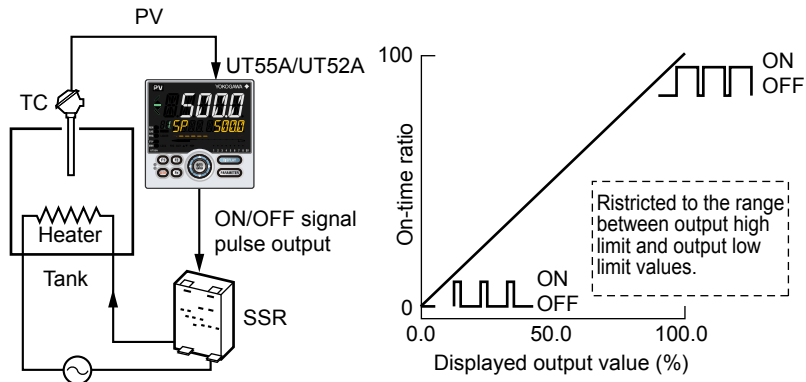
Description

Time Proportional Relay Output / Triac Output / Time Proportional Voltage Pulse Output

In time proportional output, the control computation result is output in the form of an on/off signal pulse width proportional to the time. The pulse width is calculated as follows with the cycle time (control output cycle) at 100%.

$$\text{Control output pulse width} = \text{Control output (\%)} \times \text{Cycle time}$$

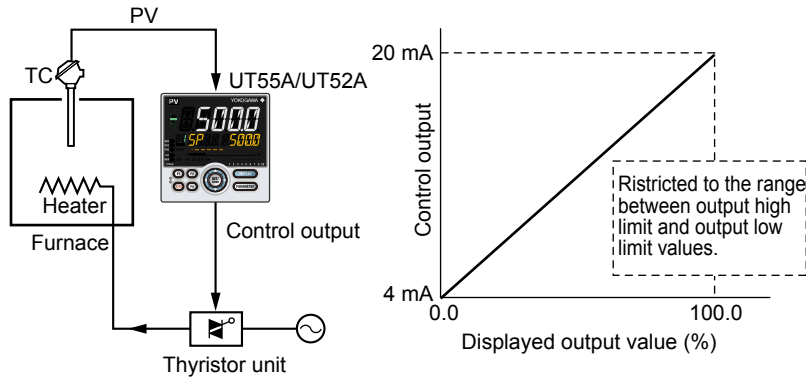
The output type is selected as either the relay/triac output or the voltage pulse output.



► Cycle time: 10.2 Setting Control Output Cycle Time

Current Output

In current output, the control computation result is output as a current signal. (Example of 4 to 20 mA)

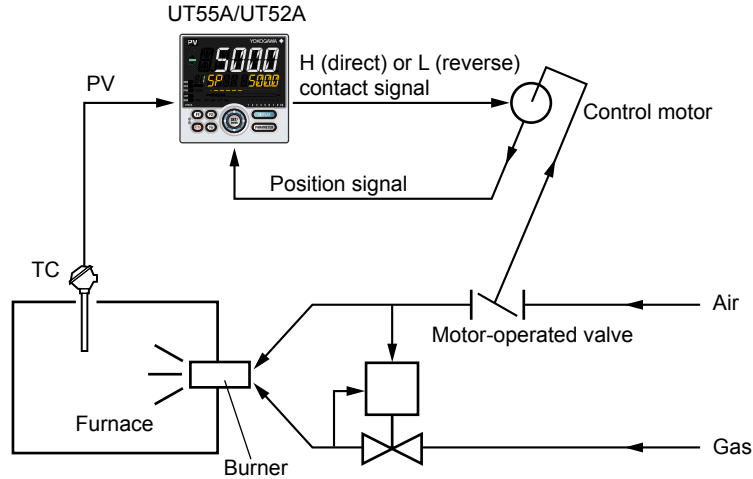


ON/OFF Output

ON/OFF control compares the SP and PV and outputs an on or off signal according to the positive or negative deviation (PV – SP).

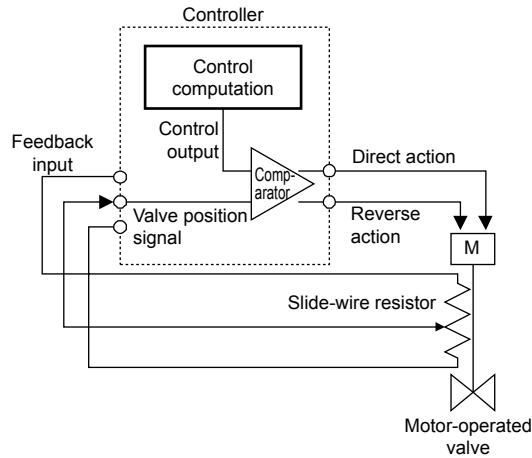
Position Proportional Output

Position proportional output is equipped only with Position proportional type. In position proportional output, valve opening is made proportional to the control computation results. The controller outputs direct and reverse signals (relay) to control motor movement and valve opening.



Feedback-type Position Proportional Output

In feedback-type position proportional output, the controller obtains a valve position signal from a feedback slide-wire resistor (overall resistance: 100 Ω to 2.5 kΩ) attached to a valve or feedback current input (4 to 20 mA). The following shows an example using feedback slide-wire resistor.



When current is used for feedback input, only wiring is different

- ▶ [Wiring for current: 17.4.5 Valve Position Output and Feedback Input Wiring](#)

Estimating-type Position Proportional Output

In estimating-type position proportional output, set the operating time required for a valve to change from the fully-closed position to the fully-open position beforehand. With the preset operating time, the controller controls the valve by estimating its position. Estimating-type position proportional output is used when feedback input signal cannot be obtained. (Feedback input wiring is not necessary.)

Note: When the control output is: upper limit=direct signal, lower limit=reverse signal.

Heating/cooling Output

Heating/cooling output is equipped only with Heating/cooling type.

- ▶ [Heating/cooling output: 8.2.3 Heating/cooling Control](#)

Two-position Two-level Control Output

Two-position Two-level Control is equipped only with Heating/cooling type (Suffix code: Type 1 = -2).

- ▶ [Two-position two-level control output: 8.1.1 Single-loop Control, Single-loop Heating/cooling Control, Single-loop Position Proportional Control, and Single-loop Two-position Two-level Control](#)
- ▶ [Two-position two-level control: 8.2.4 Two-position Two-level Control](#)

Setting Details

Parameter symbol	Name	Display level	Setting range	Menu symbol
OT	Output type selection	EASY	Control output or Heating-side control output (Lower two digits) 00: OFF 01: OUT terminals (voltage pulse) 02: OUT terminals (current) 03: OUT terminals (relay/triac) 04: OUT2 terminals (voltage pulse) 05: OUT2 terminals (current) 06: OUT2 terminals (relay/triac) Cooling-side control output (Upper two digits) 00: OFF 01: OUT terminals (voltage pulse) 02: OUT terminals (current) 03: OUT terminals (relay/triac) 04: OUT2 terminals (voltage pulse) 05: OUT2 terminals (current) 06: OUT2 terminals (relay/triac)	OUT Set

Note1: In Cascade control, the LP2 lamp is lit while the Loop-2 parameter is displayed.

CAUTION

No output is generated even if the terminal which is not provided is selected.
 Confirm that the terminal to be selected is provided.

For each output terminal number, see 17.4, "Wiring."

Set a control mode, control type, and an input type before setting an output type.

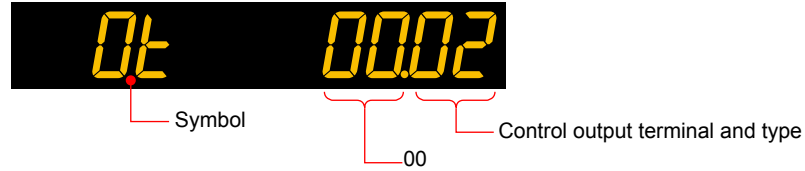
- ▶ [Control mode: 8.1 Setting Control Mode \(CTLM\)](#)
- ▶ [Control type: 8.2 Setting Control Type \(CNT\)](#)
- ▶ [Input type: 7.1.1 Setting Input Type, Unit, Range, Scale, and Decimal Point Position](#)

For models with the /MDL option, configure using the LL50A Parameter Setting Software (sold separately) or through communication.

10.1 Setting Control Output Type

Control Output (PID Control, ON/OFF Control, Sample PI Control, Batch PID Control, or Feedforward Control) of Standard type

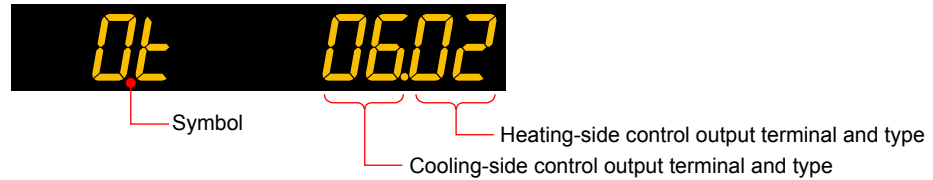
The figure below shows an example of setting the current output of the OUT terminal to the control output terminal and type. Set "02" to lower two digits and "00" to upper two digits.



Heating/cooling Control Output of Heating/cooling Type

The figure below shows an example of setting the current output of the OUT terminal to the heating-side control output terminal and type, and setting the relay output of the OUT2 terminal to the cooling-side control output terminal and type.

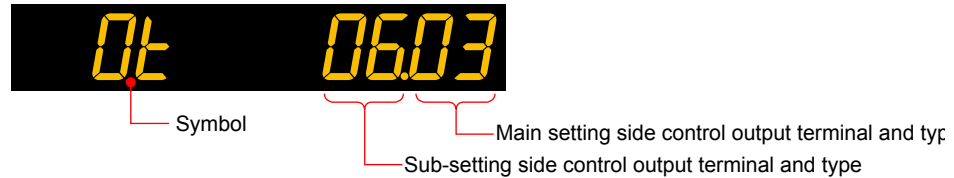
Heating side: Set "02" to lower two digits. Cooling side: Set "06" to upper two digits.



Two-position Two-level Control Output (for Heating/cooling Type Only)

The figure below shows an example of setting the relay output of the OUT terminal to the control output terminal and type of main setting, and setting the relay output of the OUT2 terminal to the control output terminal and type of sub-setting.

Main setting side: Set "03" to lower two digits. Sub-setting side: Set "06" to upper two digits.



Position Proportional Output (for Position Proportional Type Only)

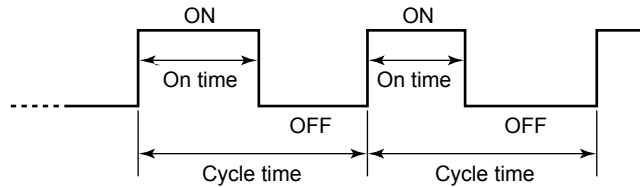
When Position proportional type is specified, the output form is fixed to the position proportional output and setting is not necessary. Adjustment of the valve position is necessary.

- ▶ [Valve position adjustment: 10.16 Adjusting Motor-operated Valve Position \(Position Proportional Output\)](#)

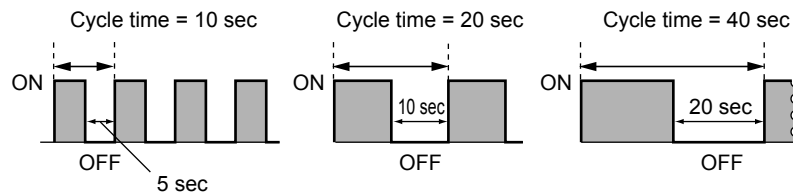
10.2 Setting Control Output Cycle Time

Description

Cycle time is the basic cycle period for a signal full cycle of ON/OFF operation for a relay or voltage pulse output. Reducing cycle time results in faster cycling and finer control. In contrast, reducing the ON/OFF period also reduces relay life. For relay output, set the control output cycle time to 30 to 200 seconds according to the process speed.



Comparison of operations for the same control output (50%)



Setting Details

Parameter symbol	Name	Display level	Setting range	Menu symbol
CT	Control output cycle time Heating-side control output cycle time (in Heating/cooling control)	EASY	0.5 to 1000.0 s	OUT Set
CTc	Cooling-side control output cycle time	EASY		

For models with the /MDL option, configure using the LL50A Parameter Setting Software (sold separately) or through communication.

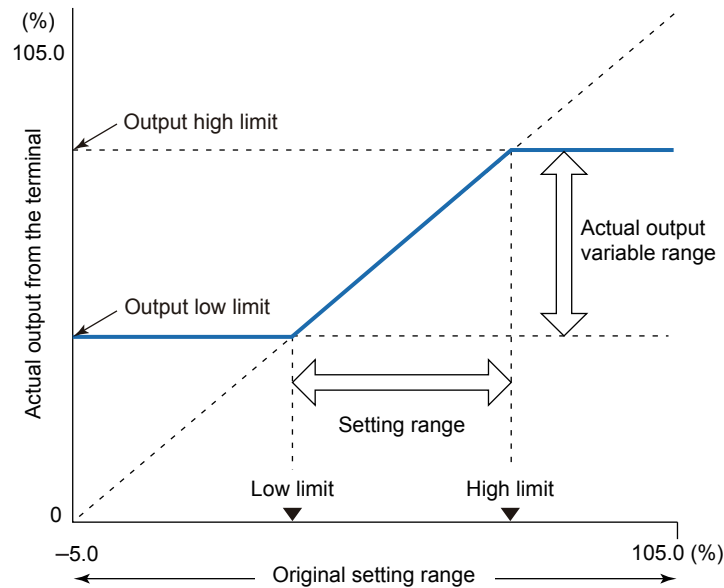
10.3 Setting Limiter to Control Output

Description

Control output high and low limits can be set to restrict the control output to the operation range between those limits.

The output limiter is prepared for each PID group, and works according to the selected PID group. This, however, excludes preset output in STOP mode.

► [PID group: 6.4 Adjusting PID Manually](#)



Setting Details

Parameter symbol	Name	Display level	Setting range	Menu symbol
OH	Control output high limit Heating-side control output high limit (in Heating/cooling control)	EASY	-4.9 to 105.0%, (OL<OH) In Heating/cooling control: 0.1 to 105.0% (OL<OH)	PID Ope
OL	Control output low limit Heating-side control output low limit (in Heating/cooling control)	EASY	-5.0 to 104.9%, (OL<OH), SD: Tight shut In Heating/cooling control: 0.0 to 104.9% (OL<OH)	
OHc	Cooling-side control output high limit	EASY	0.1 to 105.0%, (OLc<OHc)	
OLc	Cooling-side control output low limit	EASY	0.0 to 104.9%, (OLc<OHc)	
PIDN	PID number selection	EASY	1 to 8	SP Ope
PIDG.	Number of PID groups	STD	1 to 8	CTL Set

Note1: The PID number (1 to 8, R) is displayed on Group display while each parameter is displayed.

Note2: In Cascade control, the LP2 lamp is lit while the Loop-2 parameter is displayed.

Note3: When the setting is low limit \geq high limit, the controller operates as low limit = high limit -1 digit.

Note

When changing the setpoint of the parameter PIDG., if the setpoint of the parameter PIDN which belongs to the SP menu is larger than that of the parameter PIDG., the PIDN setpoint is changed to the PIDG. setpoint.

For models with the /MDL option, configure using the LL50A Parameter Setting Software (sold separately) or through communication.

10.4 Disabling Output Limiter in MAN mode

Description

Output limiter can be released when in MAN mode.

However, cannot be released when in Heating/cooling control.

Note that the output bump is caused if the operation mode is changed from MAN to AUTO while the control output is out of the range between the control output high limit (OH) and control output low limit (OL).

Control output bumps to OH in MAN mode when it is larger than OH.

Moreover, it bumps to OL when smaller than OL.

Setting Details

Parameter symbol	Name	Display level	Setting range	Menu symbol
OLMT	Output limiter switch	PRO	OFF: Disable output limiter in MAN mode ON: Enable output limiter in MAN mode	TUNE Ope

Note1: In Cascade control, the LP2 lamp is lit while the Loop-2 parameter is displayed.

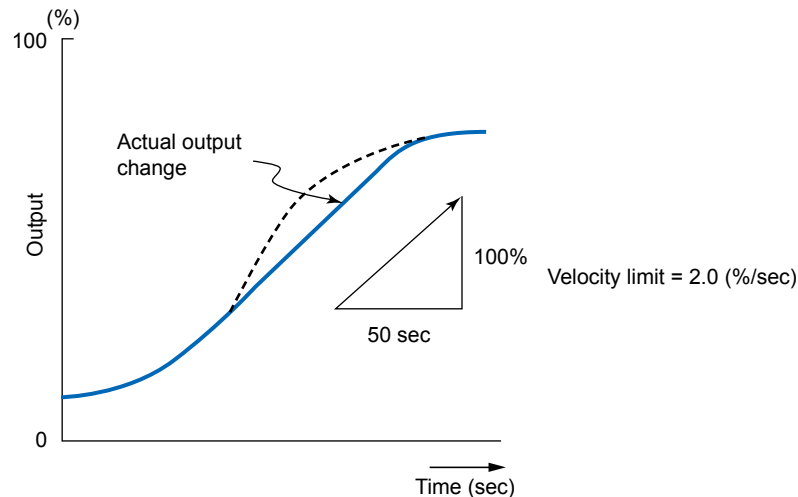
For models with the /MDL option, configure using the LL50A Parameter Setting Software (sold separately) or through communication.

10.5 Setting Velocity Limiter to Control Output

Description

Output velocity limiter prevents the control output signal from changing suddenly in order to protect the control valves (or other actuators) and controlled process. The output velocity limiter does not work in MAN or STOP mode or when input burnout or A/D error occurs.

Note that setting an output velocity limit may cancel the effects of derivative action. The following shows the operation example of output velocity limiter.



In Heating/cooling control, the output velocity limiter can be set to the control computation result before split into heating-and cooling-side outputs.

In ON/OFF control or Two-position two-level control, the setting is invalid even if the output velocity limiter is set.

Setting Details

Parameter symbol	Name	Display level	Setting range	Menu symbol
OPR	Output velocity limiter	STD	OFF: Disable 0.1 to 100.0%/s	TUNE Ope

Note1: In Cascade control, the LP2 lamp is lit while the Loop-2 parameter is displayed.

For models with the /MDL option, configure using the LL50A Parameter Setting Software (sold separately) or through communication.

10.6 Reducing 4-20 mA Current Output to 0 mA (Tight Shut Function)

Description

Tight shut function fully closes the control valve (or other actuators) (i.e., so that output is zero) beyond its positioner dead band.

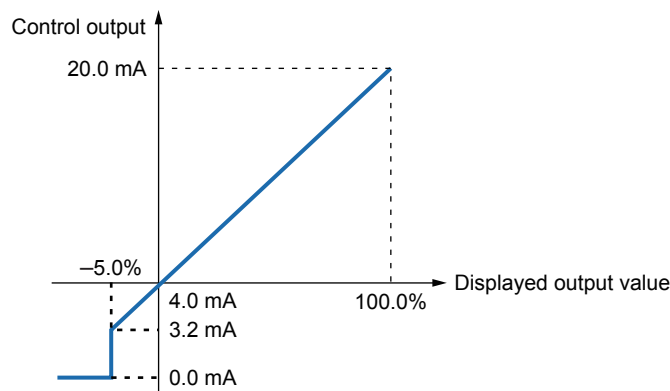
When the output low limit is set to "SD," the output is as follows in MAN or AUTO mode.

- **In MAN mode**

When the output is reduced with the Down arrow key and "SD" is displayed as the output value, the output level reaches tight shut level. The control output delivers a tight shut signal (about 0.0 mA).

- **In AUTO mode**

The output is limited by the output low limit (OL). It does not decrease to 0.0 mA.



Setting Details

Parameter symbol	Name	Display level	Setting range	Menu symbol
OL	Control output low limit Heating-side control output low limit (in Heating/cooling control)	EASY	-5.0 to 104.9%, (OL<OH), SD: Tight shut (0 mA output in MAN mode) In Heating/cooling control: 0.0 to 104.9% (OL<OH)	PID Ope
PIDN	PID number selection	EASY	1 to 8	SP Ope
PIDG.	Number of PID groups	STD	1 to 8	CTL Set

Note1: The PID number (1 to 8, R) is displayed on Group display while each parameter is displayed.

Note2: In Cascade control, the LP2 lamp is lit while the Loop-2 parameter is displayed.

Note

When changing the setpoint of the parameter PIDG., if the setpoint of the parameter PIDN which belongs to the SP menu is larger than that of the parameter PIDG., the PIDN setpoint is changed to the PIDG. setpoint.

For models with the /MDL option, configure using the LL50A Parameter Setting Software (sold separately) or through communication.

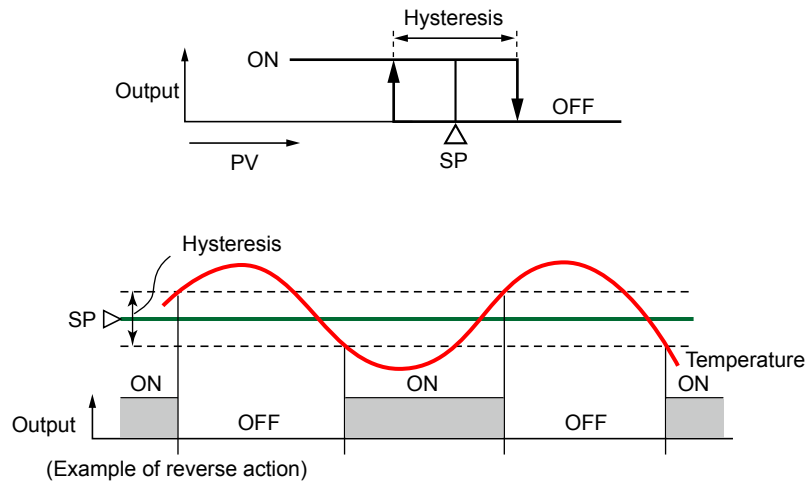
10.7 Setting ON/OFF Control Hysteresis

Description

In ON/OFF control, since the only two possible output states are ON and OFF, the control output cycles are as shown in the figure below. ON/OFF becomes quite narrow, so that if relay output is used, chattering occurs. In this case, the hysteresis should be set wider to prevent relay chattering and for the service life of the relay.

One Point of Hysteresis

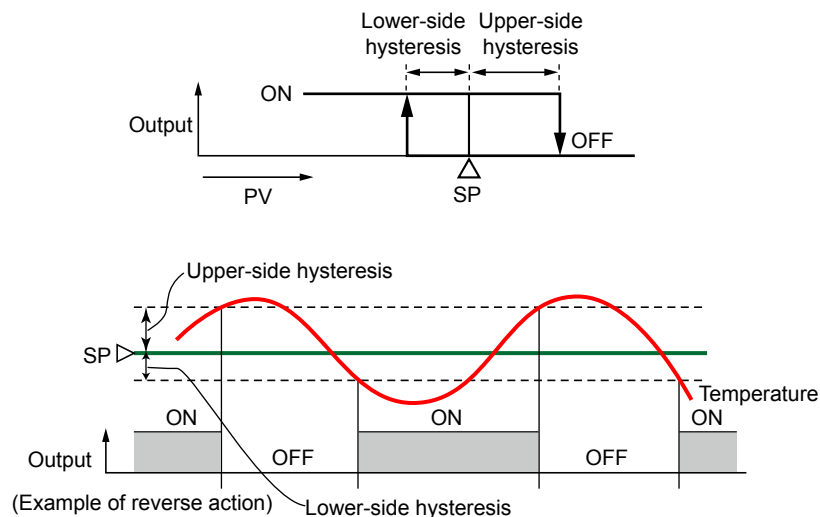
For one point of hysteresis, set one point of hysteresis. In Heating/cooling control, set heating-side ON/OFF control hysteresis and cooling-side ON/OFF control hysteresis.



Two Points of Hysteresis

For two points of hysteresis, set two points of hysteresis (upper-side hysteresis and lower-side hysteresis).

Two points of hysteresis cannot be used for Heating/cooling control and Two-position two-level control.



Setting Details

Parameter symbol	Name	Display level	Setting range	Menu symbol
HYS	Hysteresis (in ON/OFF control, Position proportional control, or Two-position two-level control) Heating-side ON/OFF control hysteresis (in Heating/cooling control)	EASY	In ON/OFF control or Two-position two-level control: 0.0 to 100.0% of PV input range span (EUS) In Heating/cooling control or Position proportional control: 0.0 to 100.0%	PID Ope
HY.UP	Upper-side hysteresis (in ON/OFF control)	EASY	0.0 to 100.0% of PV input range span (EUS)	
HY.LO	Lower-side hysteresis (in ON/OFF control)	EASY		
PIDN	PID number selection	EASY	1 to 8	SP Ope
PIDG.	Number of PID groups	STD	1 to 8	CTL Set

Note1: The PID number (1 to 8, R) is displayed on Group display while each parameter is displayed.

Note2: In Cascade control, the LP2 lamp is lit while the Loop-2 parameter is displayed.

Note

When changing the setpoint of the parameter PIDG., if the setpoint of the parameter PIDN which belongs to the SP menu is larger than that of the parameter PIDG., the PIDN setpoint is changed to the PIDG. setpoint.

For models with the /MDL option, configure using the LL50A Parameter Setting Software (sold separately) or through communication.

10.8 Canceling Offset of PV and SP (Manual Reset)

Description

Manual reset can be used when the integral action is disabled.

When the integral action is disabled, there will be an offset of PV and SP. Manual reset cancels this offset.

The manual reset value equals the output value when PV = SP is true.

Setting Details

Parameter symbol	Name	Display level	Setting range	Menu symbol
MR	Manual reset	EASY	-5.0 to 105.0%	PID Ope
PIDN	PID number selection	EASY	1 to 8	SP Ope
PIDG.	Number of PID groups	STD	1 to 8	CTL Set

Note1: The PID number (1 to 8, or R) is displayed on Group display while each parameter is displayed.

Note2: In Cascade control, the LP2 lamp is lit while the Loop-2 parameter is displayed.

Note

When changing the setpoint of the parameter PIDG., if the setpoint of the parameter PIDN which belongs to the SP menu is larger than that of the parameter PIDG., the PIDN setpoint is changed to the PIDG. setpoint.

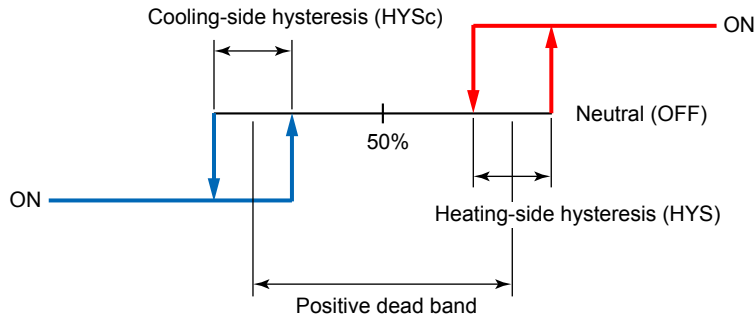
For models with the /MDL option, configure using the LL50A Parameter Setting Software (sold separately) or through communication.

10.9 Setting Hysteresis and Dead Band for Heating/cooling Control Output

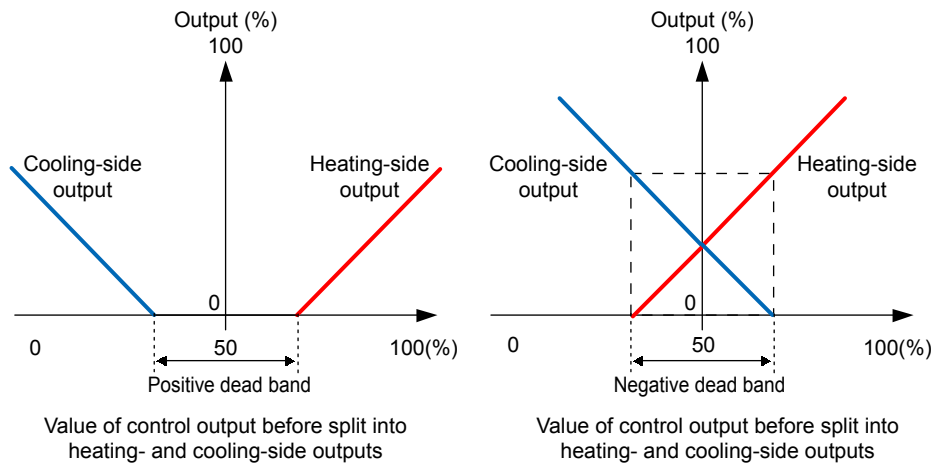
Description

In Heating/cooling control, the positive dead band denotes the zone where none of the heating-side and cooling-side outputs are presented. The negative dead band denotes the zone where both of the heating-side and cooling-side outputs are presented.

The following shows the case when both the heating side and cooling side are ON/OFF control.



The following shows the case when both the heating side and cooling side are PID control.



10.9 Setting Hysteresis and Dead Band for Heating/cooling Control Output

Setting Details

Parameter symbol	Name	Display level	Setting range	Menu symbol
HYS	Hysteresis (in ON/OFF control, Position proportional control, or Two-position two-level control) Heating-side ON/OFF control hysteresis (in Heating/cooling control)	EASY	In ON/OFF control or Two-position two-level control: 0.0 to 100.0% of PV input range span (EUS) In Heating/cooling control or Position proportional control: 0.0 to 100.0%	PID Ope
HYS_c	Cooling-side ON/OFF control hysteresis	EASY	0.0 to 100.0%	
DB	Output dead band (in Heating/cooling control or Position proportional control)	EASY	In Heating/cooling control: -100.0 to 50.0% In Position proportional control: 1.0 to 10.0%	
PIDN	PID number selection	EASY	1 to 8	SP Ope
PIDG.	Number of PID groups	STD	1 to 8	CTL Set

Note1: The PID number (1 to 8, or R) is displayed on Group display while each parameter is displayed.

Note2: In Cascade control, the LP2 lamp is lit while the Loop-2 parameter is displayed.

Note

When changing the setpoint of the parameter PIDG., if the setpoint of the parameter PIDN which belongs to the SP menu is larger than that of the parameter PIDG., the PIDN setpoint is changed to the PIDG. setpoint.

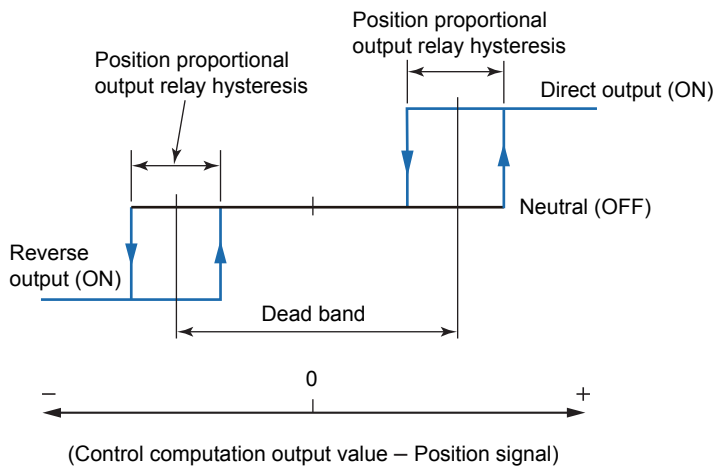
For models with the /MDL option, configure using the LL50A Parameter Setting Software (sold separately) or through communication.

10.10 Setting Hysteresis and Dead Band for Position Proportional Control Output

Description

To prevent excessively frequent operation of the motor and relays, a dead band is provided between two relay output operating points, and hysteresis is provided for each relay output.

If position signal differs from the control computation output by less than the dead band value, neither the “direct” nor “reverse” relay turns ON. If the difference is large enough on the plus side, the direct relay turns ON; if on the minus side, the reverse relay turns ON (in reverse action).



Setting Details

Parameter symbol	Name	Display level	Setting range	Menu symbol
HYS	Hysteresis (in ON/OFF control, Position proportional control, or Two-position two-level control) Heating-side ON/OFF control hysteresis (in Heating/cooling control)	EASY	In ON/OFF control or Two-position two-level control: 0.0 to 100.0% of PV input range span (EUS) In Heating/cooling control or Position proportional control: 0.0 to 100.0%	PID Ope
DB	Output dead band (in Heating/cooling control or Position proportional control)	EASY	In Heating/cooling control: -100.0 to 50.0% In Position proportional control: 1.0 to 10.0%	
PIDN	PID number selection	EASY	1 to 8	SP Ope
PIDG.	Number of PID groups	STD	1 to 8	CTL Set

Note1: The PID number (1 to 8, R) is displayed on Group display while each parameter is displayed.
Note2: In Cascade control, the LP2 lamp is lit while the Loop-2 parameter is displayed.

Note

When changing the setpoint of the parameter PIDG., if the setpoint of the parameter PIDN which belongs to the SP menu is larger than that of the parameter PIDG., the PIDN setpoint is changed to the PIDG. setpoint.

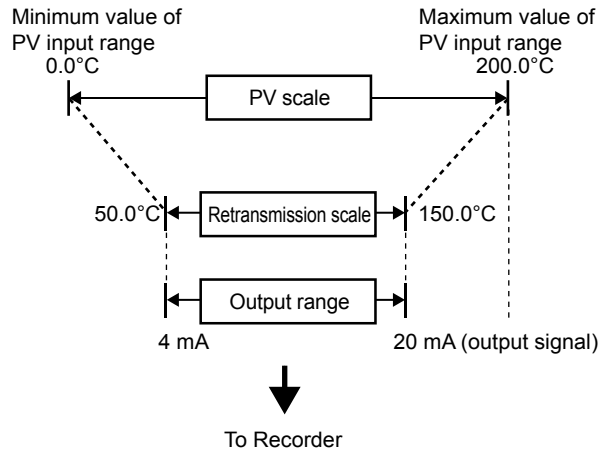
10.11 Setting Retransmission Output Terminal, Type, and Scales

Description

The OUT (O1RS) and OUT2 (O2RS) terminals can be used as retransmission output when control output is not assigned to them.

Confirm the output type selection (OT) before setting the retransmission output. The range can be changed.

- ▶ Control output terminal: 10.1 Setting Control Output Type
- ▶ Current output range: 10.14 Changing Current Output Range



Setting Details

Parameter symbol	Name	Display level	Setting range	Menu symbol
RTS	Retransmission out type of RET	EASY	OFF: Disable PV1: PV SP1: SP OUT1: OUT (Valve opening: 0 to 100 % in Position proportional control) LPS: 15 V DC loop power supply PV2: Loop-2 PV SP2: Loop-2 SP OUT2: Loop-2 OUT TSP1: Target SP HOUT1: Heating-side OUT COUT1: Cooling-side OUT MV1: Position proportional output (internal computed value) TSP2: Loop-2 target SP HOUT2: Loop-2 heating-side OUT COUT2: Loop-2 cooling-side OUT MV2: Loop-2 position proportional output (internal computed value) PV: PV terminals analog input RSP: RSP terminals analog input AIN2: AIN2 terminals analog input AIN4: AIN4 terminals analog input	OUT Set

10.11 Setting Retransmission Output Terminal, Type, and Scales

(Continued)

Parameter symbol	Name	Display level	Setting range	Menu symbol
RTH	Maximum value of retransmission output scale of RET	STD	When RTS = PV1, SP1, PV2, SP2, TSP1, TSP2, PV, RSP, AIN2, or AIN4, RTL + 1 digit to 30000 -19999 to RTH - 1 digit	OUT Set
RTL	Minimum value of retransmission output scale of RET	STD	Decimal point position: When RTS=PV1, SP1, or TSP1, decimal point position is same as that of PV input. When RTS=PV2, SP2, or TSP2, decimal point position is same as that of RSP input. When RTS=PV, decimal point position is same as that of PV input scale. When RTS=RSP, decimal point position is same as that of RSP input scale. When RTS=AIN2, decimal point position is same as that of AIN2 scale. When RTS=AIN4, decimal point position is same as that of AIN4 scale.	
O1RS	Retransmission output type of OUT current output	STD	Same as RTS	
O1RH	Maximum value of retransmission output scale of OUT current output	STD	When O1RS = PV1, SP1, PV2, SP2, TSP1, TSP2, PV, RSP, AIN2, or AIN4, O1RL + 1 digit to 30000 -19999 to O1RH - 1 digit	
O1RL	Minimum value of retransmission output scale of OUT current output	STD	Decimal point position: When O1RS=PV1, SP1, or TSP1, decimal point position is same as that of PV input. When O1RS =PV2, SP2, or TSP2, decimal point position is same as that of RSP input. When O1RS =PV, decimal point position is same as that of PV input scale. When O1RS =RSP, decimal point position is same as that of RSP input scale. When O1RS =AIN2, decimal point position is same as that of AIN2 scale. When O1RS =AIN4, decimal point position is same as that of AIN4 scale	

10.11 Setting Retransmission Output Terminal, Type, and Scales

(Continued)

Parameter symbol	Name	Display level	Setting range	Menu symbol
O2RS	Retransmission output type of OUT2 current output	STD	Same as RTS	OUT Set
O2RH	Maximum value of retransmission output scale of OUT2 current output	STD	When O2RS = PV1, SP1, PV2, SP2, TSP1, TSP2, PV, RSP, AIN2, or AIN4, O2RL + 1 digit to 30000 -19999 to O2RH - 1 digit Decimal point position: When O2RS = PV1, SP1, or TSP1, decimal point position is same as that of PV input. When O2RS = PV2, SP2, or TSP2, decimal point position is same as that of RSP input. When O2RS = PV, decimal point position is same as that of PV input scale. When O2RS = RSP, decimal point position is same as that of RSP input scale. When O2RS = AIN2, decimal point position is same as that of AIN2 scale. When O2RS = AIN4, decimal point position is same as that of AIN4 scale.	
O2RL	Minimum value of retransmission output scale of OUT2 current output	STD		

Setpoints PV2, SP2 and OUT2: Can be used in Cascade control.

Setpoints HOUT1 and COUT1: Can be used in Heating/cooling control.

Setpoint MV1: Can be used in Position proportional control.

(When opening or closing a valve by key operation in manual mode operation, the transmission output becomes -5.0 %.)

Setpoint TSP2: Can be used in Cascade control.

Setpoints HOUT2 and COUT2: Can be used in Cascade control of Heating/cooling type.

Setpoint MV2: Can be used in Cascade control of Position proportional type.

(When opening or closing a valve by key operation in manual mode operation, the transmission output becomes -5.0 %.)

Setpoint RSP: Can be used when equipped with remote input.

Setpoints AIN2 and AIN4: Can be used when the UT55A suffix code: Type 2 = 7.

Parameters and Corresponding Terminals

RTS, RTH, RTL	RET terminal
O1RS, O1RH, O1RL	OUT terminal
O2RS, O2RH, O2RL	OUT2 terminal

For models with the /MDL option, configure using the LL50A Parameter Setting Software (sold separately) or through communication.

10.12 Setting Preset Output Value

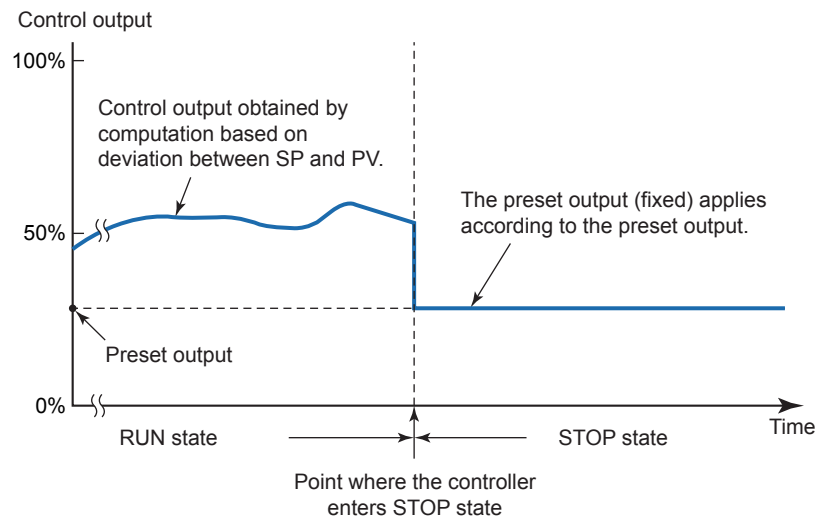
10.12.1 Setting Output Value in STOP Mode (Preset Output)

Description

Preset output becomes the output when the operation mode is switched from RUN to STOP.

The preset output is not limited by the output high and low limits.

The preset output is prepared for each PID parameter group, and works according to the selected PID parameter group.



► [Output limiter: 10.3 Setting Limiter to Control Output](#)

Preset Output in Heating/cooling Control

The preset output can be set for both of the heating and cooling sides.

The computation starts from the value of 50% of internal computed value (value before split into heating- and cooling-side outputs) when the operation mode is switched from STOP to RUN.

10.12 Setting Preset Output Value

Setting Details

Parameter symbol	Name	Display level	Setting range	Menu symbol
PO	Preset output Heating-side preset output (in Heating/cooling control)	EASY	In STOP mode, fixed control output can be generated. In Position proportional control, Valve opening can be set; -5.0 to 105.0%	PID Ope
POc	Cooling-side preset output	EASY		
SU.PO	Sub-preset output (in Two-position two-level control)	EASY	In STOP mode, fixed sub-control output can be generated. 0%, 100%	
PIDN	PID number selection	EASY	1 to 8	SP Ope
PIDG.	Number of PID groups	STD	1 to 8	CTL Set

Note1: The PID number (1 to 8, R) is displayed on Group display while each parameter is displayed.
Note2: In Cascade control, the LP2 lamp is lit while the Loop-2 parameter is displayed.

Note

When changing the setpoint of the parameter PIDG., if the setpoint of the parameter PIDN which belongs to the SP menu is larger than that of the parameter PIDG., the PIDN setpoint is changed to the PIDG. setpoint.

For ON/OFF output (ON/OFF output or ON/OFF output in Two-position two-level control or Heating/cooling control), 0.0% is output when the setting value is 0.0% or less and 100.0% is output when 0.1% or more.

For models with the /MDL option, configure using the LL50A Parameter Setting Software (sold separately) or through communication.

10.12.2 Setting Output Value When Switched to MAN Mode (Manual Preset Output)

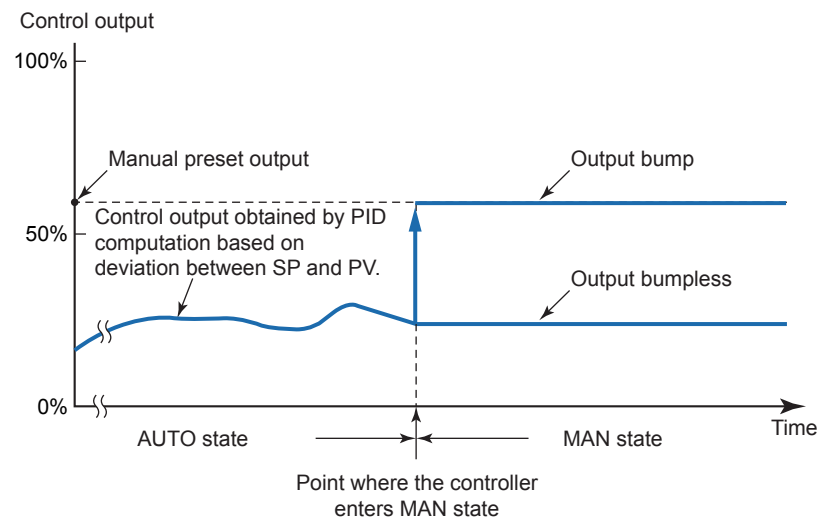
Description

When the operation mode is switched from AUTO to MAN, each of the following can be selected.

- The control output takes over the control output as is.
- The control output bumps to the manual preset output.

When the manual preset output is output, the manual operation is possible after the bump.

Manual preset output is limited by the output high and low limits. (when Output limiter switch (OLMT) = ON)




When the operation mode is switched from MAN to AUTO, transferred without bump from the manual output to the control output.

- ▶ [Output limiter: 10.3 Setting Limiter to Control Output](#)
- ▶ [Output limiter switch: 10.4 Disabling Output Limiter in MAN mode](#)

10.12 Setting Preset Output Value

Setting Details

Parameter symbol	Name	Display level	Setting range	Menu symbol
MPON	Manual preset output number selection	STD	OFF: Hold the control output in AUTO mode (bumpless) 1: Use manual preset output 1 (output bump) 2: Use manual preset output 2 (output bump) 3: Use manual preset output 3 (output bump) 4: Use manual preset output 4 (output bump) 5: Use manual preset output 5 (output bump)	TUNE 
MPO1 to MPO5	Manual preset output 1 to 5	STD	-5.0 to 105.0%	

Note1: In Cascade control, the LP2 lamp is lit while the Loop-2 parameter is displayed.

For models with the /MDL option, configure using the LL50A Parameter Setting Software (sold separately) or through communication.

10.12.3 Setting Output Value When Error Occurs (Input Error Preset Output)

Description

The 0% control output, 100% control output, or input preset output can be selected and output as input error preset output in the following conditions.

- The input burnout occurs during operation in AUTO or CAS mode and RUN mode.
- The ADC error occurs during operation in AUTO or CAS mode and RUN mode.

However, the manual output becomes the output when the input burnout occurs in MAN mode and RUN mode.

Setting Details

Parameter symbol	Name	Display level	Setting range	Menu symbol
EPO	Input error preset output	STD	0: Preset output 1: 0% output 2: 100% output	SYS Set

For models with the /MDL option, configure using the LL50A Parameter Setting Software (sold separately) or through communication.

10.13 Setting 10-segment Linearizer for Output

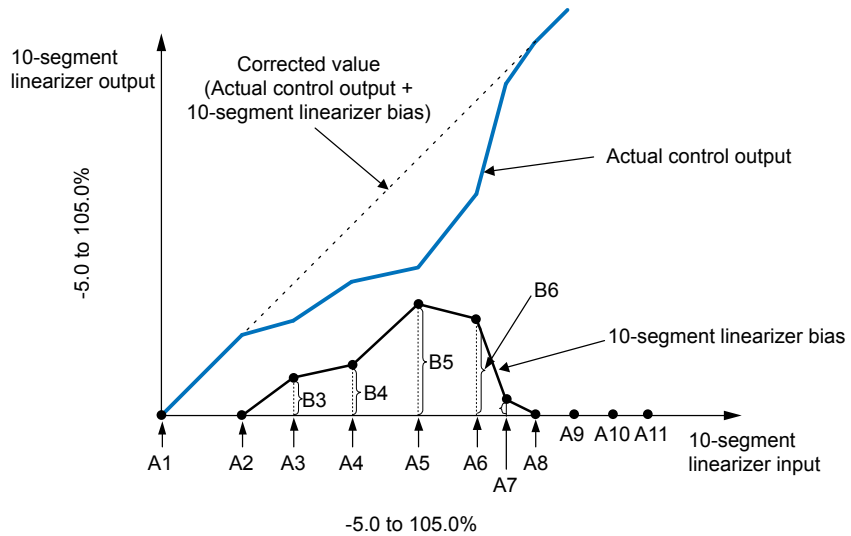
Description

A total of up to four 10-segment linearizers can be used for the input unit and output unit. For the position used by a 10-segment linearizer, see the function block diagram.

- ▶ [Function block diagram: 8.1 Setting Control Mode \(CTLM\)](#)
- ▶ [10-segment linearizer input: 7.1.4 \(3\) Setting 10-segment Linearizer](#)

10-segment Linearizer Biasing

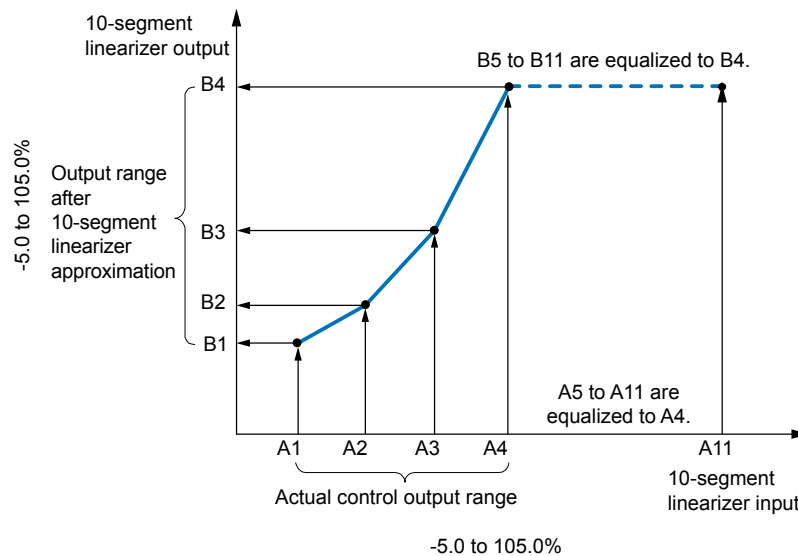
This function is used to correct the control output by adding the corresponding bias values to each of the 11 points of optionally set input values. When the 10-segment linearizer input is A1 or less, B1 is added. Moreover, when the input is A11 or more, B11 is added.



10-segment Linearizer Approximation

This function is used to correct the control output.

As shown in the figure below, the output values can be optionally set to 11 points of the optionally set input values. When the 10-segment linearizer input is A1 or less, the value of extended line between B1 and B2 is output. Moreover, when the input is A11 or more, the value of extended line between B10 and B11 is output.



Setting Details

Parameter symbol	Name	Display level	Setting range	Menu symbol
PYS	10-segment linearizer selection	Group 1, 2: STD Group 3, 4: PRO	OFF: Disable PV: PV analog input RSP: RSP analog input AIN2: AIN2 analog input AIN4: AIN4 analog input PVIN: PV input OUT: OUT analog output OUT2: OUT2 analog output RET: RET analog output	PYS1 PYS2 PYS3 PYS4 Ope
A1 to A11	10-segment linearizer input 1	Group 1, 2: STD Group 3, 4: PRO	-66.7 to 105.0% of input range (EU) Output linearizer: -5.0 to 105.0%	
B1 to B11	10-segment linearizer output 1	Group 1, 2: STD Group 3, 4: PRO	10-segment linearizer bias: -66.7 to 105.0% of input range span (EUS) 10-segment linearizer approximation: -66.7 to 105.0% of input range (EU) Output linearizer: -5.0 to 105.0%	
PMD	10-segment linearizer mode	Group 1, 2: STD Group 3, 4: PRO	0: 10-segment linearizer bias 1: 10-segment linearizer approximation	

Note1: The group number (1 to 4) is displayed on Group display while each parameter is displayed.

Set it in the following orders.

- (1)PYS: Specifies where the 10-segment linearizer function is used.
 - Setpoint OUT functions before output to OUT terminal.
 - Setpoint OUT2 functions before output to OUT2 terminal. (for Heating/cooling type only)
 - Setpoint RET functions before output to RET terminal.
- (2)PMD: Specifies whether to use it as a 10-segment linearizer bias or a 10-segment linearizer approximation.
- (3)A1 to A11, B1 to B11: Sets the 10-segment linearizer input and 10-segment linearizer output.

Note

- Set the 10-segment linearizer so that it increases monotonically.
- If the same setpoint is set for the two or more parameters of 10-segment linearizer selection (PYS), a smaller group number is used.

For models with the /MDL option, configure using the LL50A Parameter Setting Software (sold separately) or through communication.

10.14 Changing Current Output Range

Description

The analog output type can be selected from among 4 to 20, 0 to 20, 20 to 4, or 20 to 0 mA.

Setting Details

Parameter symbol	Name	Display level	Setting range	Menu symbol
OU.A	OUT current output range	STD	4-20: 4 to 20 mA, 0-20: 0 to 20 mA, 20-4: 20 to 4 mA, 20-0: 20 to 0 mA	OUT Set
OU2.A	OUT2 current output range	STD		
RET.A	RET current output range	STD		

Parameters and Corresponding Terminals

OU.A	OUT terminal
OU2.A	OUT2 terminal
RET.A	RET terminal

For models with the /MDL option, configure using the LL50A Parameter Setting Software (sold separately) or through communication.

10.15 Setting Split Computation Output Function

Description

Split computation output is useful for the case where multiple (up to 3) operating units for switching, for example, hot and cool water are linked for control. There are two characteristics of split computations: V-mode characteristics and Parallel-mode characteristics. The current output range can be changed.

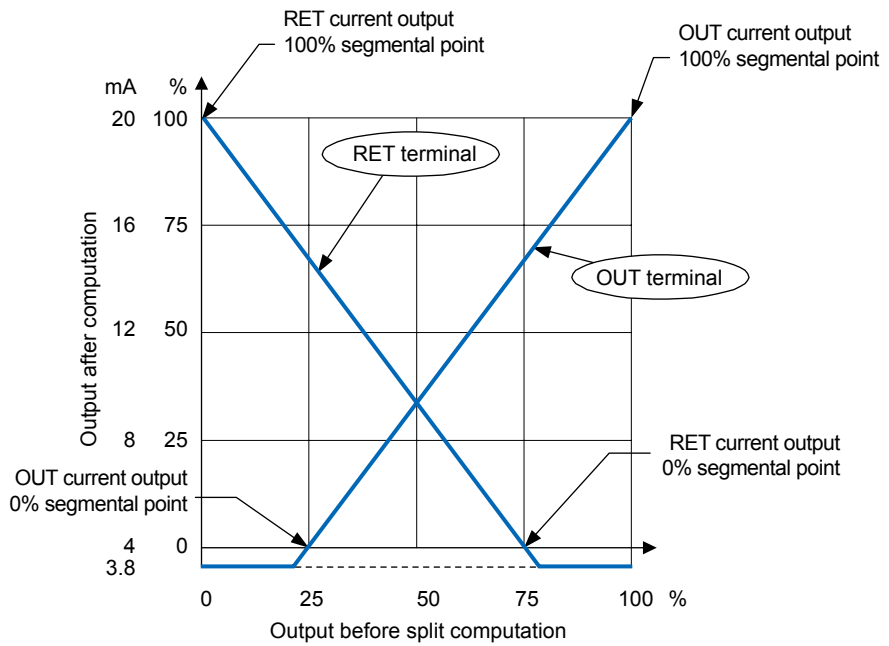
► [Current output range: 10.14 Changing Current Output Range](#)

V-mode Characteristics

The following explains an example of letting OUT terminal and RET terminal present the V-mode characteristics of split computations.

Setting Example

	OUT terminal	RET terminal
Control output type/Retransmission output type	OT = 00.02 (current)	RTS=OUT1
Current output 100% segmental point	OU.H=100.0%	RET.H=0.0%
Current output 0% segmental point	OU.L=25.0%	RET.L=75.0%
Current output range	OU.A=4-20	RET.A=4-20



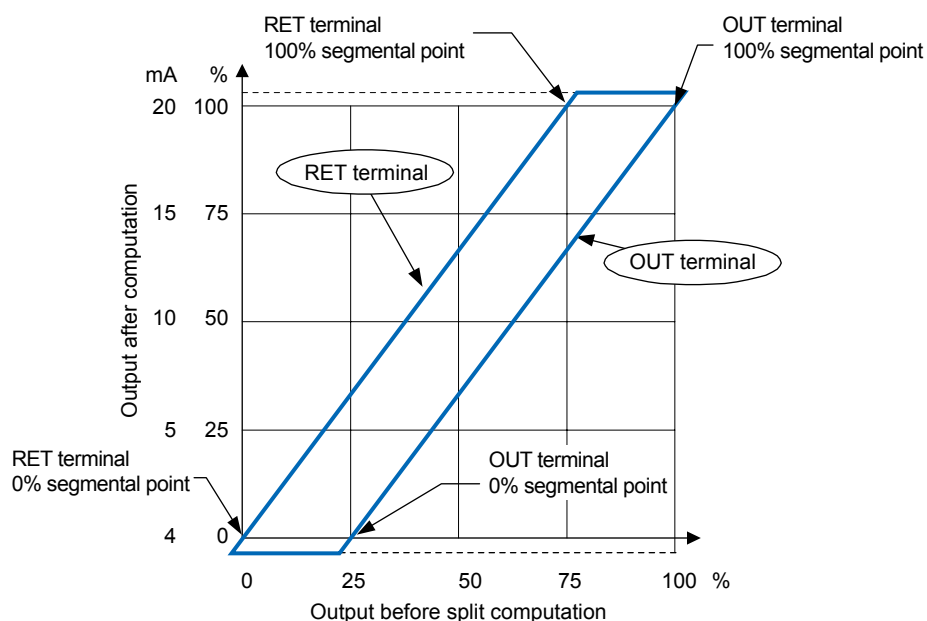
10.15 Setting Split Computation Output Function

Parallel-mode Characteristics

The following explains an example of letting OUT terminal and RET terminal present the Parallel-mode characteristics of split computations.

Setting Example

	OUT terminal	RET terminal
Control output type/Retransmission output type	OT = 00.02 (current)	RTS=OUT1
Current output 100% segmental point	OU.H=100.0%	RET.H=75.0%
Current output 0% segmental point	OU.L=25.0%	RET.L=0.0%
Current output range	OU.A=4-20	RET.A=4-20



Setting Details

Parameter symbol	Name	Display level	Setting range	Menu symbol
OU.H	100% segmental point of OUT current output	PRO	-100.0 to 200.0%	OUT Set
OU.L	0% segmental point of OUT current output	PRO		
OU2.H	100% segmental point of OUT2 current output	PRO		
OU2.L	0% segmental point of OUT2 current output	PRO		
RET.H	100% segmental point of RET current output	PRO		
RET.L	0% segmental point of RET current output	PRO		

Parameters and Corresponding Terminals

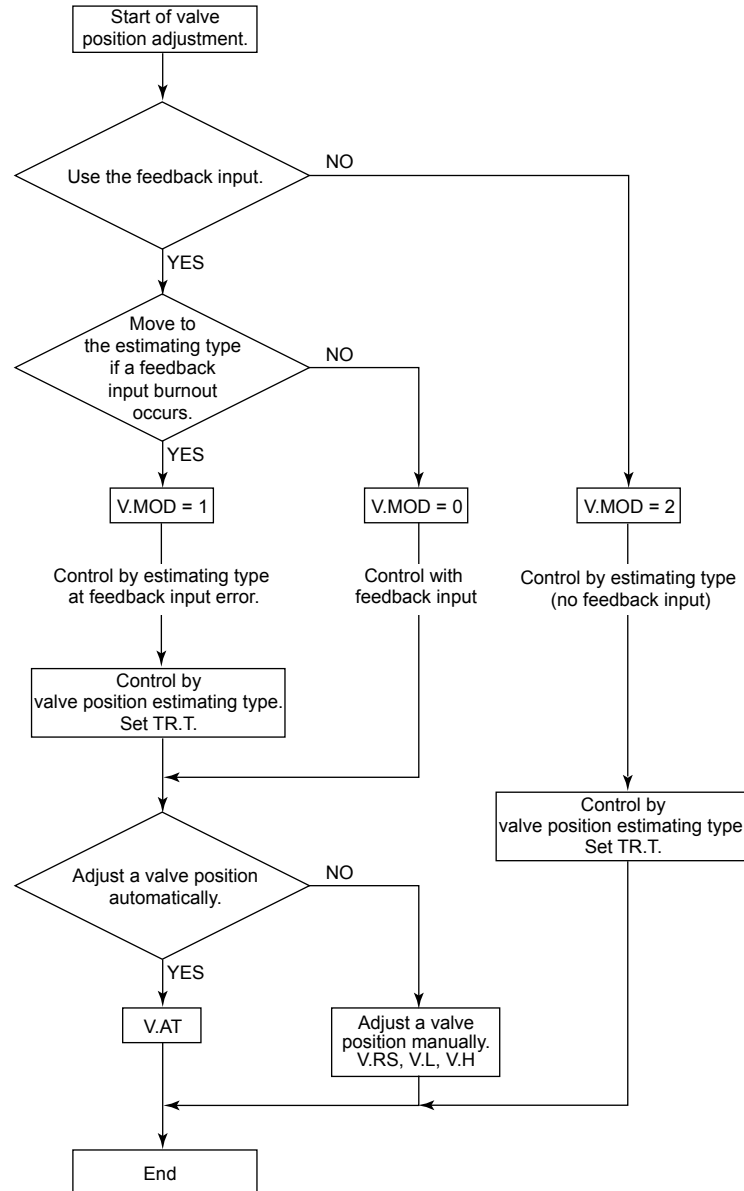
OU.H, OU.L	OUT terminal
OU2.H, OU2.L	OUT2 terminal
RET.H, RET.L	RET terminal

For models with the /MDL option, configure using the LL50A Parameter Setting Software (sold separately) or through communication.

10.16 Adjusting Motor-operated Valve Position (Position Proportional Output)

When performing control using the motor-operated valve position, adjustment of the valve position is necessary.

On models with the /MDL option, there are no position proportional outputs.



When controlling by estimating type, set TR.T corresponding to the valve characteristic.

10.16 Adjusting Motor-operated Valve Position (Position Proportional Output)

10.16.1 Setting Valve Operation Mode

Description

Position proportional control monitors the control output signals and the feedback signals from the control valve and regulates to keep the valve opening and the control output signal in agreement.

Position proportional control (output) operation mode has feedback type and estimating type.

Setting Details

Parameter symbol	Name	Display level	Setting range	Menu symbol
V.MOD	Valve adjusting mode	STD	0: Valve position feedback type 1: Valve position feedback type (moves to the estimating type if a feedback input error or break occurs.) 2: Valve position estimating type	OUT Set

10.16.2 Adjusting Valve Position Automatically

Description

The fully-closed and fully-opened positions of a valve can be set automatically by the feedback input signal from a valve.

The following describes the procedure of adjusting the valve position automatically.

- (1) Verify that the wirings are correct.
- (2) Set the operation mode to MAN.
- (3) Set the automatic valve position adjustment (V.AT) to ON. (V.AT blinks during the automatic adjustment.)
- (4) When the adjustment is completed, V.AT returns to OFF.
When the adjustment fails, VAT.E appears on PV display.

Setting Details

Parameter symbol	Name	Display level	Setting range	Menu symbol
V.AT	Automatic valve position adjustment	EASY	OFF: Stop automatic adjustment ON: Start automatic adjustment	OUT Set

10.16.3 Adjusting Valve Position Manually

Description

The following procedure describes how to adjust valve position manually.

- (1) Verify that the wirings are correct.
- (2) Set the operation mode to MAN.
- (3) Reset the valve position (Set V.RS=ON).
- (4) Display the fully-closed valve position setting (V.L), determine the fully-closed position while holding down the Down arrow (▾) key, and press the SET/ENTER key.
- (5) Display the fully-opened valve position setting (V.H), determine the fully-opened position while holding down the Up arrow (▴) key, and press the SET/ENTER key.

Setting Details

Parameter symbol	Name	Display level	Setting range	Menu symbol
V.RS	Valve position setting reset	EASY	Setting V.RS to ON resets the valve adjustment settings and causes the indication "V.RS" to blink.	OUT Set
V.L	Fully-closed valve position setting	EASY	Pressing the SET/ENTER key with valve position set to the fully-closed position by Down arrow key causes the adjusted value to be stored. When V.L adjustment is complete, V.L stops blinking.	
V.H	Fully-opened valve position setting	EASY	Pressing the SET/ENTER key with valve position set to the fully-opened position by Up arrow key causes the adjusted value to be stored. When V.H adjustment is complete, V.H stops blinking	

10.16.4 Setting Valve Traveling Time (Estimating Type)

Description

In the estimating type, a traveling time required to fully open the valve from its fully-closed position is set and valve positions are estimated according to the time consumed for valve operation.

The valve position estimating type is used when the feedback input of valve positions cannot be obtained.

(Wiring for feedback input is not necessary.)

The fully-opened side relay keeps ON-state when the output is 100%, and the fully-closed side relay keeps ON-state when the output is 0%.

Operating Principles

In the estimating type, the valve position is obtained by calculating the virtual feedback input based on the valve traveling time.

However, the virtual feedback input starts calculation from 50% at power-on.

Setting Details

Parameter symbol	Name	Display level	Setting range	Menu symbol
TR.T	Valve traveling time	STD	5 to 300 s	OUT Set

10.16.5 Selecting Feedback Input (Resistor/Current)

Description

Only the wiring for resistor or current is necessary for feedback input. There is no setting.

▶ [Wiring: 17.4.5 Valve Position Output and Feedback Input Wiring](#)

10.17 Using 15 V DC Loop Power Supply

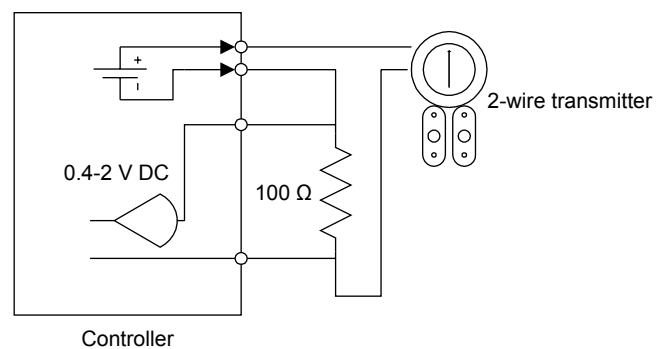
Description

The 15 V DC loop power supply is a function to supply DC power (14.5 to 18.0 V DC (21 mA DC)) to a 2-wire transmitter.

The loop power supply block is isolated from the controller's internal circuitry. In addition, the block is equipped with a current limiting circuit. Therefore, accidental short-circuits that may occur in the field do not adversely affect the rest of the controller's internal circuitry.

Note that the loop power supply function cannot be used for digital communication where the supply voltage is superposed on the signal line.

The following shows the examples of loop power supply connection to a 2-wire transmitter.



Setting Details

Parameter symbol	Name	Display level	Setting range	Menu symbol
RTS	Retransmission output type of RET	EASY	OFF: Disable PV1: PV SP1: SP	OUT Set
O1RS	Retransmission output type of OUT current output	EASY	OUT1: OUT (Valve opening: 0 to 100 % in Position proportional control)	
O2RS	Retransmission output type of OUT2 current output	EASY	LPS: 15 V DC loop power supply PV2: Loop-2 PV SP2: Loop-2 SP OUT2: Loop-2 OUT TSP1: Target SP HOUT1: Heating-side OUT COUT1: Cooling-side OUT MV1: Position proportional output (internal computed value) TSP2: Loop-2 target SP HOUT2: Loop-2 heating-side OUT COUT2: Loop-2 cooling-side OUT MV2: Loop-2 position proportional output (internal computed value) PV: PV terminals analog input RSP: RSP terminals analog input AIN2: AIN2 terminals analog input AIN4: AIN4 terminals analog input	

Parameters and Corresponding Terminals

RTS	RET terminal
O1RS	OUT terminal
O2RS	OUT2 terminal

For models with the /MDL option, configure using the LL50A Parameter Setting Software (sold separately) or through communication.

11.1 Setting Alarm Type

Description

The alarm-related parameters consist of the alarm type (type, stand-by action, energized/de-energized, and latch function), PV velocity alarm time setpoint, alarm hysteresis, alarm (On-/Off-) delay timer, and alarm setpoint.

In Cascade control, both of Loop 1 and Loop 2 have these parameters.

Alarm-related parameter	Number of settings
Alarm type	8 (number of settings) x 2 (number of loops)
PV velocity alarm time setpoint	8 (number of settings) x 2 (number of loops)
Alarm hysteresis	8 (number of settings) x 2 (number of loops)
Alarm (on-/off-) delay timer	8 (number of settings) x 2 (number of loops)
Alarm setpoint	8 (number of settings) x 8 (number of groups) x 2 (number of loops)

- ▶ Alarm hysteresis: 11.3 Setting Hysteresis to Alarm Operation
- ▶ Alarm delay timer: 11.4 Delaying Alarm Output (Alarm Delay Timer)
- ▶ Alarm setpoint: 6.5 Setting Alarm Setpoint

Both of Loop-1 and Loop-2 have eight groups of alarms. The alarms are assigned to the terminals for each control mode (parameter CTLM).

Factory default: Only four groups of alarm-related parameters are displayed.

- ▶ Terminal function: 17.4.7 Contact Output Wiring

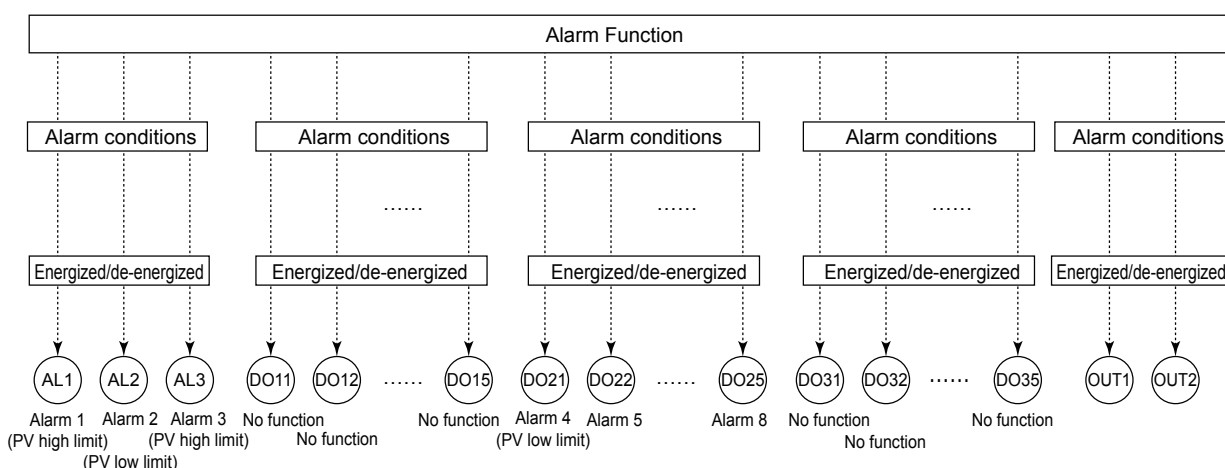
Alarm output can be assigned to the unused control relay output or contact output.

- ▶ Control relay output: 11.5 Setting Alarm Output to Control Relay Terminal
- ▶ Contact output: 12.2.1 Setting Function of Contact Output

Energized/de-energized of alarm output can be changed.

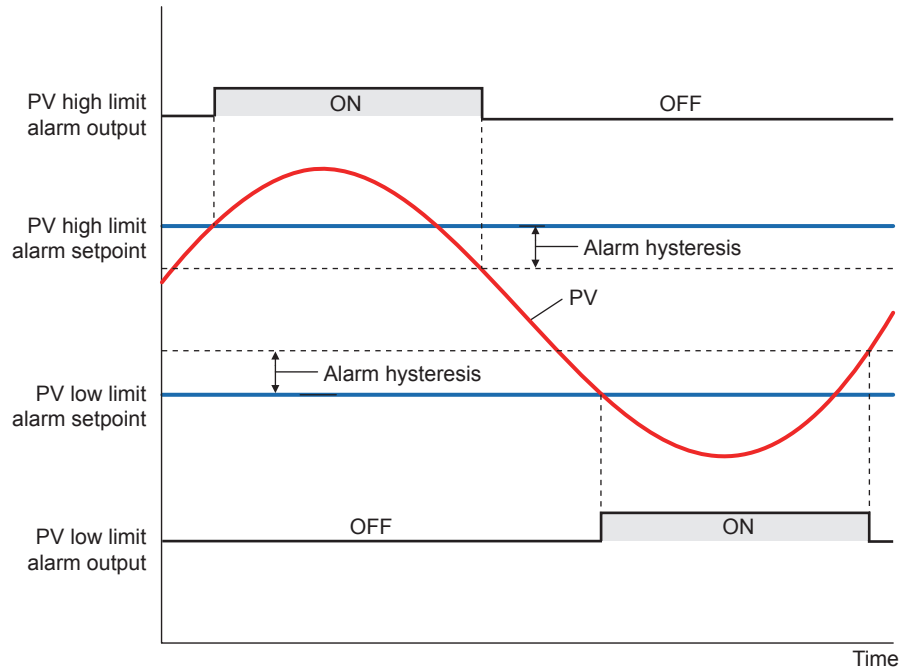
- ▶ Energized/de-energized: 12.2.2 Changing Contact Type of Contact Output

To read the conditions of alarms, outputs, or latches via communication, see Communication Interface User's Manual.



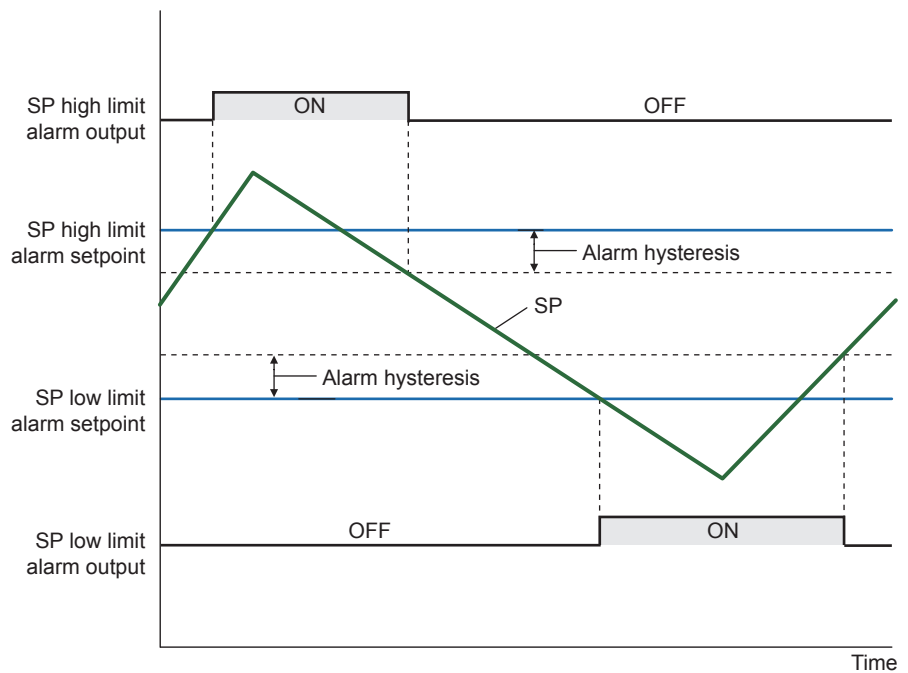
* The above figure shows the case of single-loop control mode.
 * See "Appendix 1 Input and Output Table of Standard Model and Suffix Codes" for presence/absence of the terminals DO11 to DO15, DO21 to DO25, and DO31 to DO35.
 * OUT1 and OUT2 can be used for alarm output when the relay outputs are not used for control output.

PV High Limit Alarm and PV Low Limit Alarm



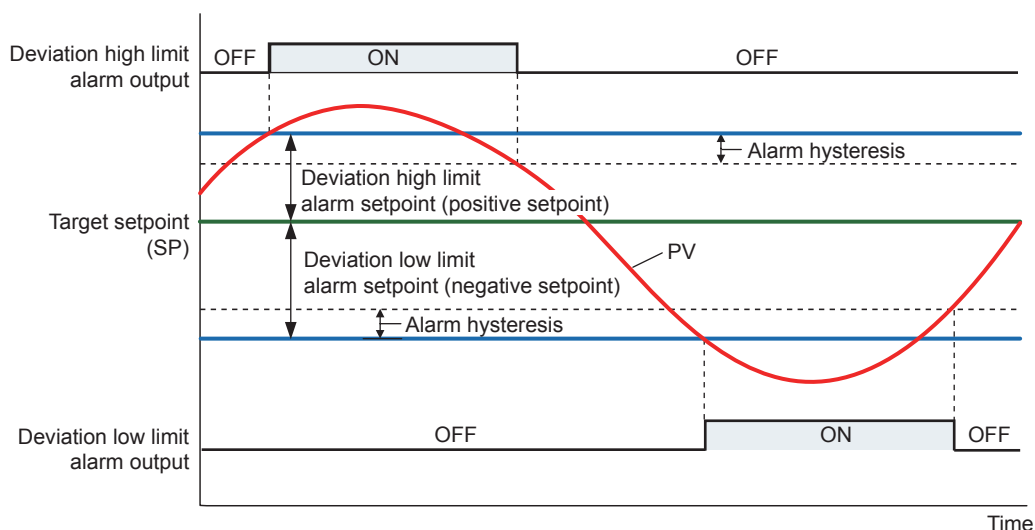
Contact type in the figure above: Energized when an event occurs (factory default).

SP High Limit Alarm and SP Low Limit Alarm



Contact type in the figure above: Energized when an event occurs (factory default).

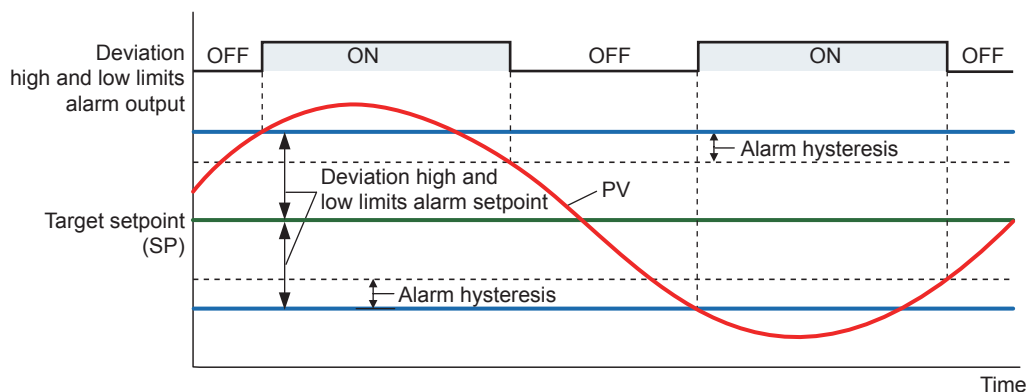
Deviation High Limit Alarm and Deviation Low Limit Alarm, Deviation(%) High Limit Alarm, Deviation(%) Low Limit Alarm



Contact type in the figure above: Energized when an event occurs (factory default).

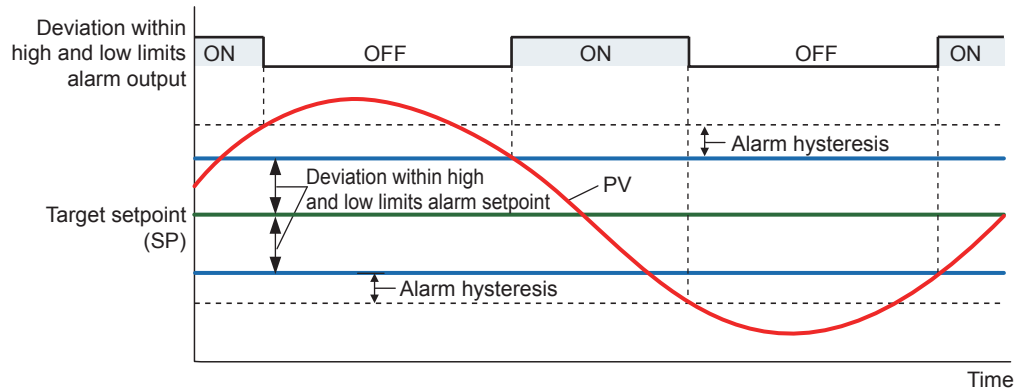
When a negative setpoint is set for the deviation high limit alarm setpoint, the deviation setpoint will be lower than the SP.
 Moreover, when a positive setpoint is set for the deviation low limit alarm setpoint, the deviation setpoint will be higher than the SP.
 Set the alarm setpoints and hysteresis for deviation(%) high limit and deviation(%) low limit alarms as percentages of the setpoint. Set the alarm setpoint of the deviation low limit alarm with a negative value.

Deviation High and Low Limits Alarm, Deviation(%) High and Low Limits Alarm



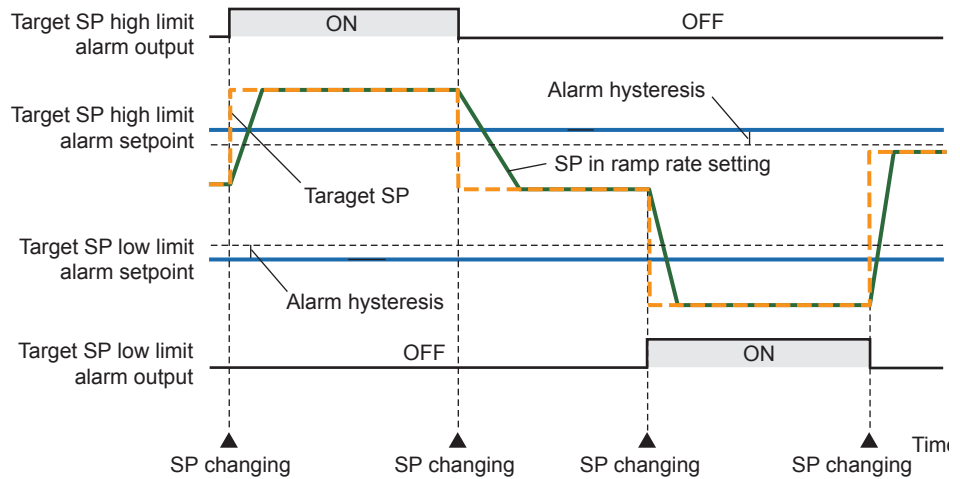
Contact type in the figure above: Energized when an event occurs (factory default).
 Set the alarm setpoint and hysteresis for a deviation(%) high and low limits as percentages of the setpoint.

Deviation within High and Low Limits Alarm, Deviation(%) within High and Low Limits Alarm



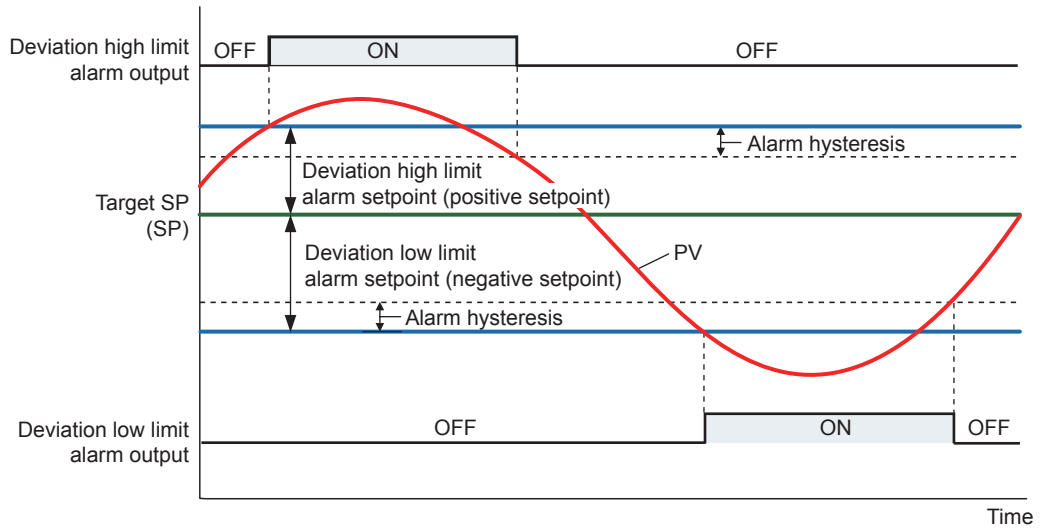
Contact type in the figure above: Energized when an event occurs (factory default).
 Set the alarm setpoint and hysteresis for a deviation(%) within high and low limits as percentages of the setpoint.

Target SP High Limit Alarm and Target SP Low Limit Alarm



Contact type in the figure above: Energized when an event occurs (factory default).

Target SP Deviation High Limit Alarm and Target SP Deviation Low Limit Alarm, Target SP Deviation(%) High Limit Alarm, Target SP Deviation(%) Low Limit

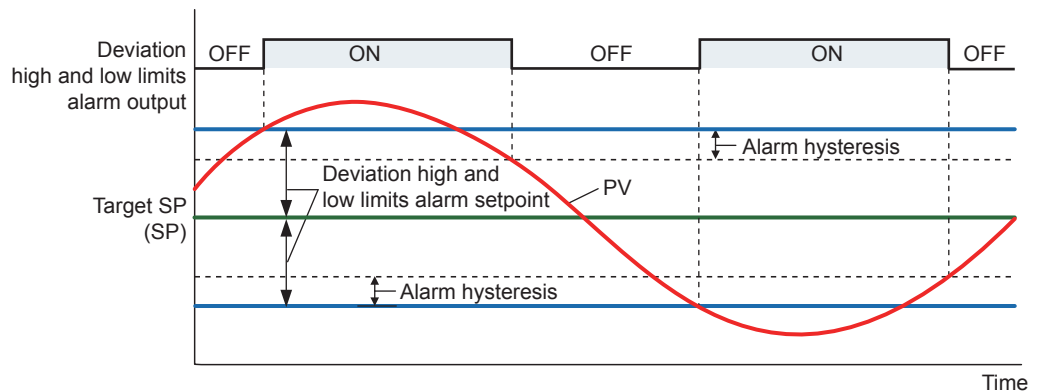


Contact type in the figure above: Energized when an event occurs (factory default).
 * Target SP: a set target setpoint. When the ramp-rate is set, it becomes a final target setpoint.

When a negative setpoint is set for the deviation high limit alarm setpoint, the deviation setpoint will be lower than the target SP.
 Moreover, when a positive setpoint is set for the deviation low limit alarm setpoint, the deviation setpoint will be higher than the target SP.

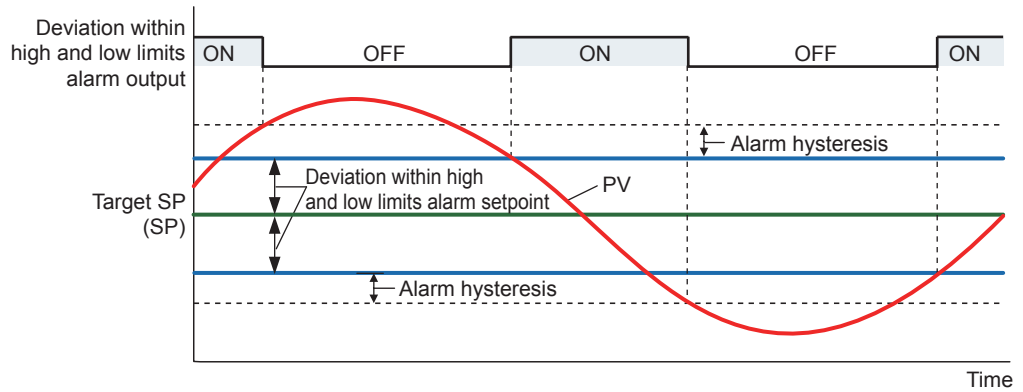
Set the alarm setpoints and hysteresis for a target SP deviation(%) high limit alarm and target SP deviation(%) low limit alarm as percentages of the setpoint.

Target SP Deviation High and Low Limits Alarm, Target SP Deviation(%) High and Low Limits Alarm



Contact type in the figure above: Energized when an event occurs (factory default).
 Set the alarm setpoint and hysteresis for a target SP deviation(%) high and low limits alarm as percentages of the setpoint.

Target SP Deviation within High and Low Limits Alarm, Target SP Deviation(%) within High and Low Limits Alarm

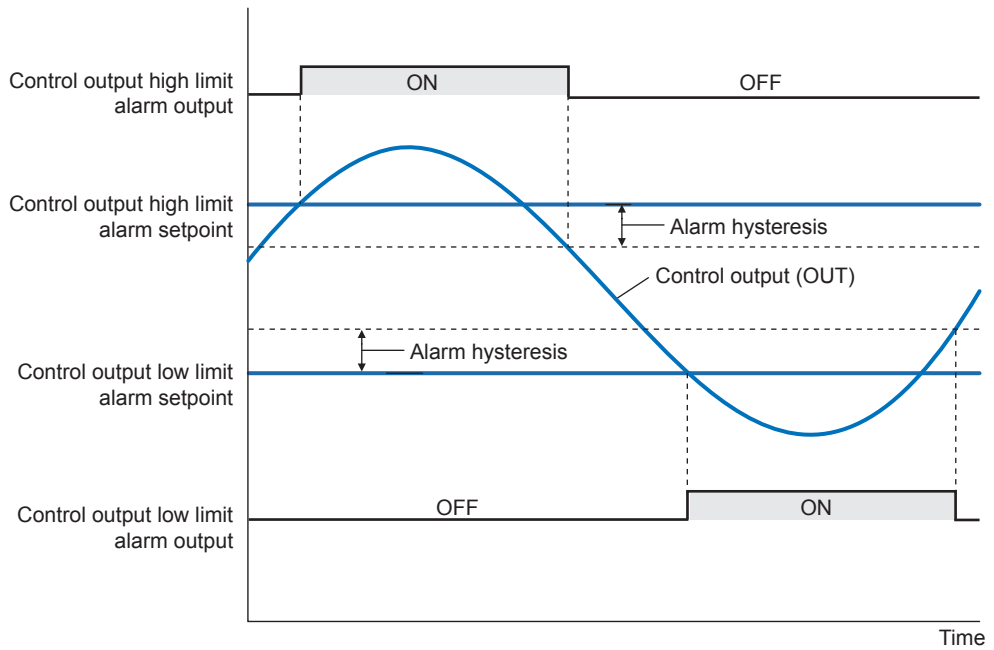


Contact type in the figure above: Energized when an event occurs (factory default).

Set the alarm setpoint and hysteresis for a target SP deviation(%) within high and low limits alarm as percentages of the setpoint.

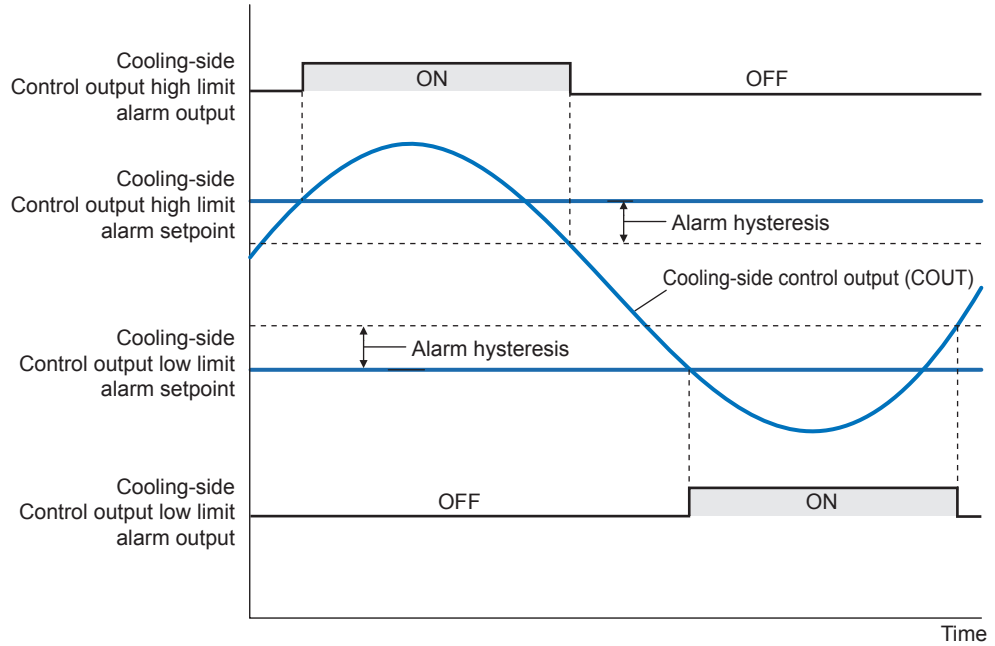
Control Output High Limit Alarm and Control Output Low Limit Alarm

In Heating/cooling control, alarms are heating-side control output high limit alarm and heating-side control output low limit alarm.



Contact type in the figure above: Energized when an event occurs (factory default).

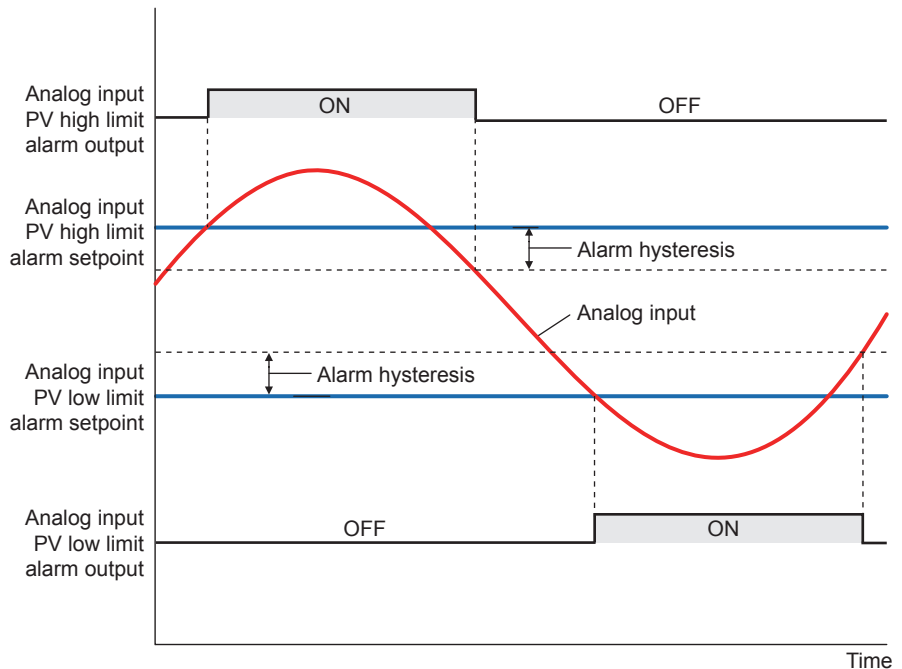
Cooling-side Control Output High Limit Alarm and Cooling-side Control Output Low Limit Alarm



Contact type in the figure above: Energized when an event occurs (factory default).

Analog Input PV High Limit Alarm and Analog Input PV Low Limit Alarm

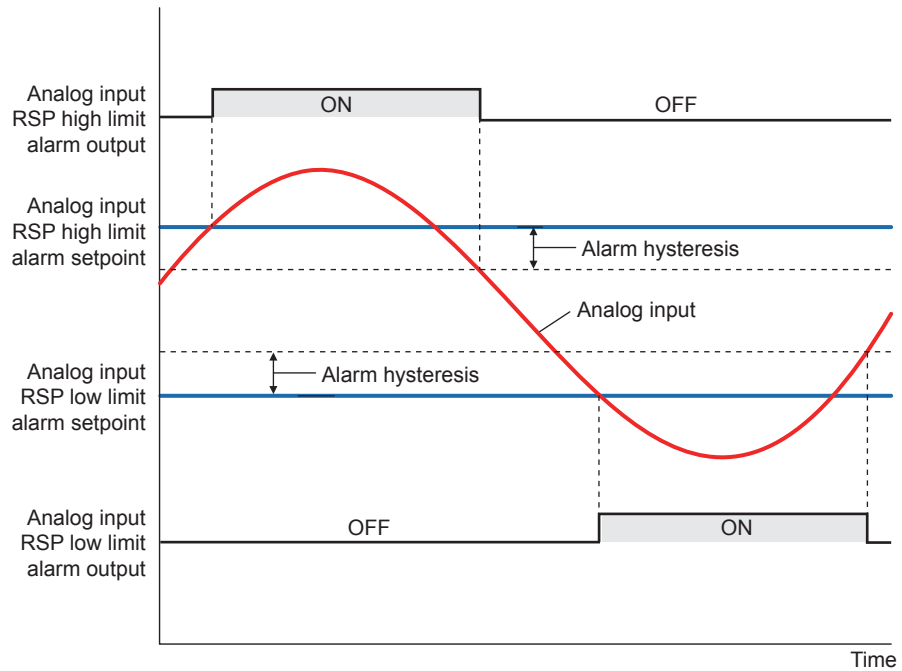
These alarms monitor the input value after the analog input computation process (entrance to the input ladder calculation) is completed.



Contact type in the figure above: Energized when an event occurs (factory default).

Analog Input RSP High limit Alarm and Analog Input RSP Low Limit Alarm

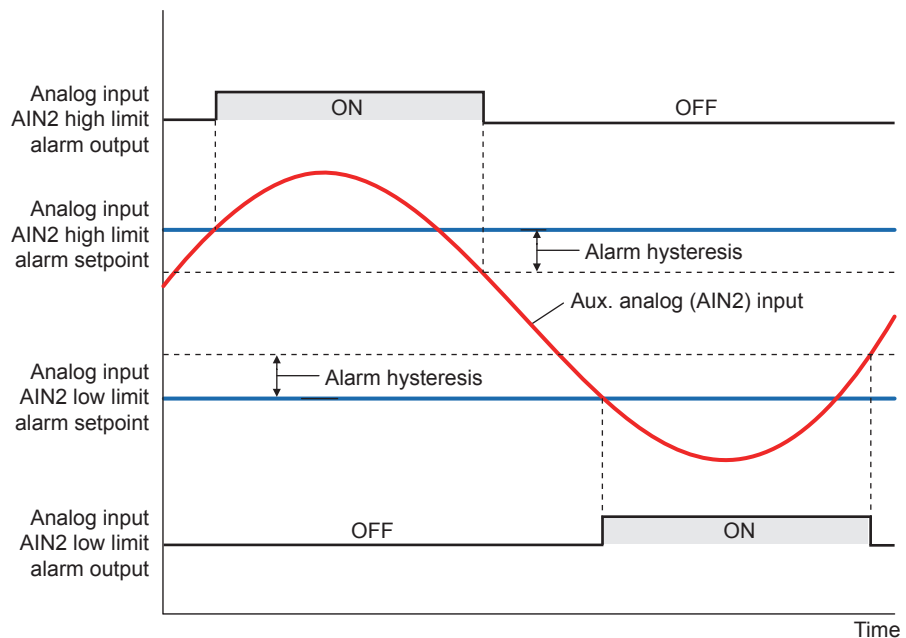
These alarms monitor the input value after the analog input computation process (entrance to the input ladder calculation) is completed.



Contact type in the figure above: Energized when an event occurs (factory default).

Analog Input AIN2 High Limit Alarm and Analog Input AIN2 Low Limit Alarm

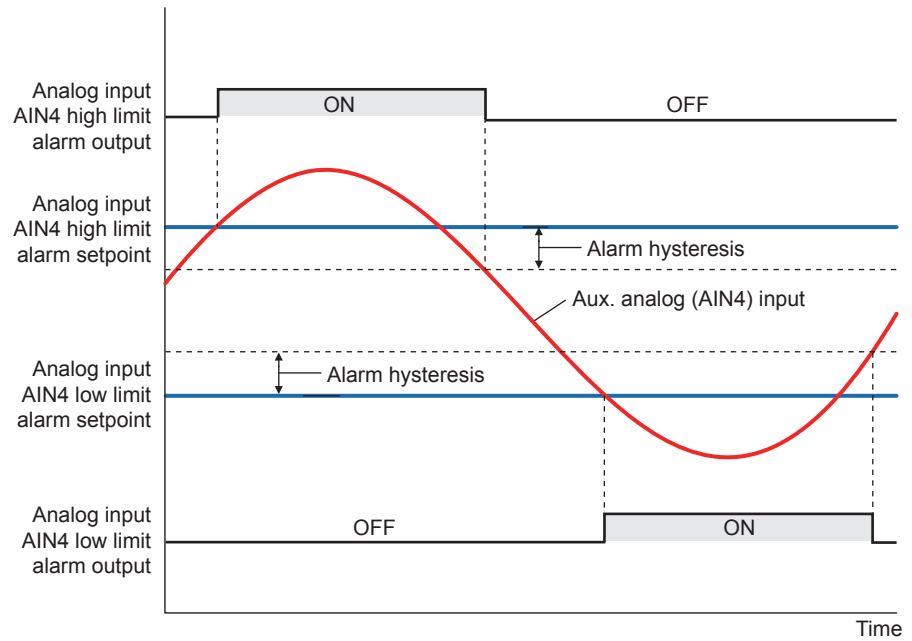
These alarms monitor the input value after the analog input computation process (entrance to the input ladder calculation) is completed.



Contact type in the figure above: Energized when an event occurs (factory default).

Analog Input AIN4 High Limit Alarm and Analog Input AIN4 Low Limit Alarm

These alarms monitor the input value after the analog input computation process (entrance to the input ladder calculation) is completed.



Contact type in the figure above: Energized when an event occurs (factory default).

11.1 Setting Alarm Type

Feedback Input High Limit Alarm and Feedback Input Low Limit Alarm

These alarms can be used only for Position proportional type..

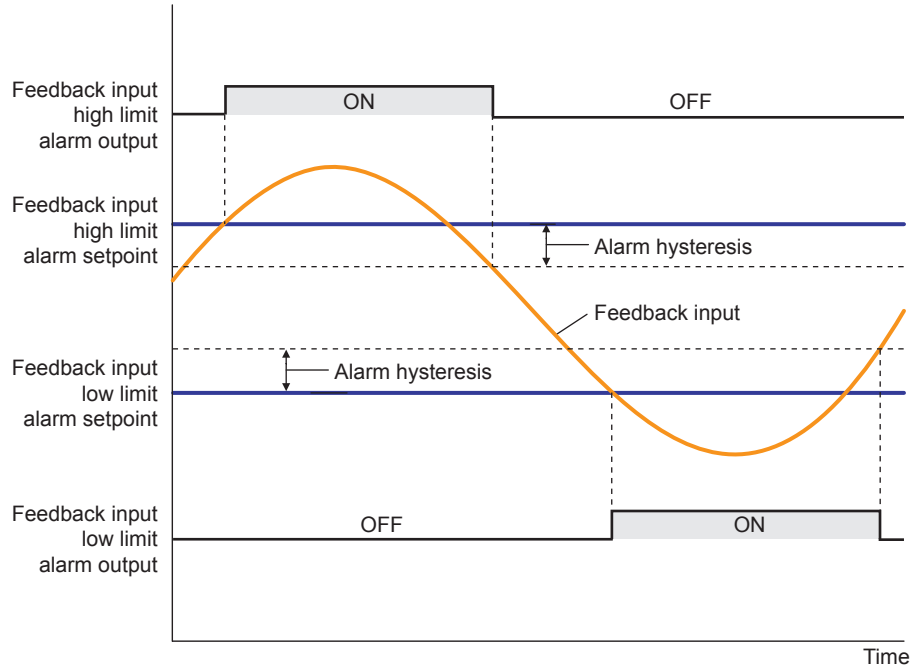
These alarms monitor the feedback input (resistance or current) value.

The setting range for these alarms is 0.0 to 100.0%.

However, the setting range varies depending on whether the feedback input is a current value (4 to 20 mA) or resistance value (100 Ω to 2.5 kΩ).

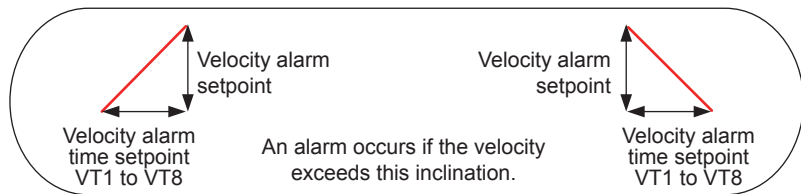
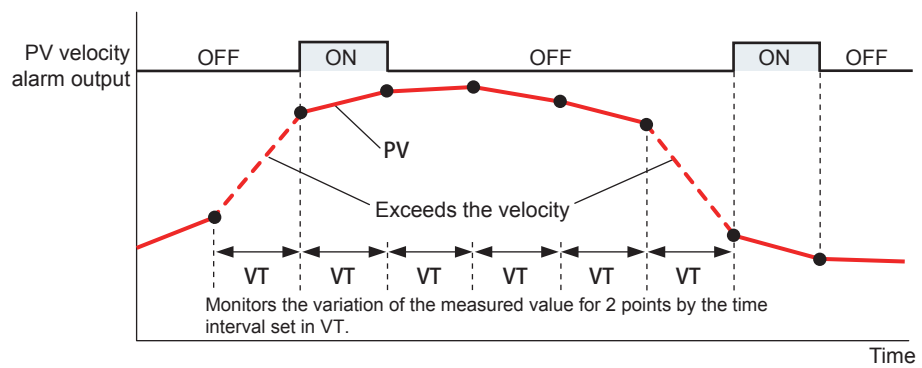
Current value: 4 mA corresponds to 0.0%, and 20 mA to 100.0%.

Resistance value (e.g., 1 kΩ): The resistance value when the valve is fully closed after the valve position adjustment corresponds to 0.0%, and the resistance value when the valve is fully opened corresponds to 100.0%. 0 Ω does not correspond to 0.0%, and 1 kΩ does not correspond to 100.0%.



Contact type in the figure above: Energized when an event occurs (factory default).

PV Velocity Alarm



Contact type in the figure above: Energized when an event occurs (factory default).

The PV velocity alarm function does not work the alarm hysteresis, the stand-by action and the alarm delay timer functions.

Fault diagnosis Alarm

The function outputs an alarm signal in the following cases.

The corresponding event (EV) lamp is lit and the contact output turns on (when the contact type is energized).

- Burnout of PV input, RSP remote input, or auxiliary analog input
- ADC failure of PV input, RSP remote input, or auxiliary analog input
- Reference junction compensation (RJC) error of PV input, RSP remote input

The fault diagnosis alarm does not work the stand-by action functions.

FAIL output

When the FAIL condition is caused (faulty MCU or system data error), DO (alarm output) turned off regardless of contact type.

The FAIL output does not work the alarm latch, the energized/de-energized and the stand-by action functions.

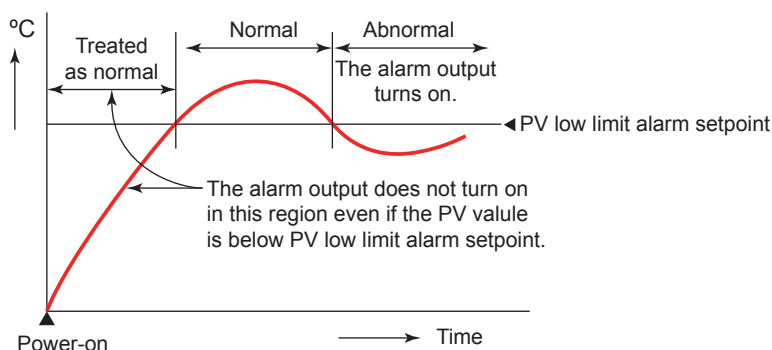
Stand-by Action

The stand-by action is a function for ignoring the alarm condition and keeps the alarm off until the alarm condition is removed. Once the alarm condition is removed, the stand-by action is cancelled.

It is effective in the following cases where;

- The power is turned on
- SP is changed
- SP number is switched (however, except for remote setpoint) (The SP must be changed.)
- The alarm type is changed
- Forced stand-by via communication

The following shows the behavior of an alarm with the stand-by action at power ON.



Alarm Latch Function

The alarm latch function is a function for keeping the alarm output (keeping the alarm output on) after entering the alarm condition (alarm output is turned on) until an order to release the alarm latch is received.

The alarm latch function has the following four types of action.

Latch 1

Cancels the alarm output when an order to release the alarm latch is received. (Alarm output OFF.)
 However, an order to release the alarm latch is ignored if the order is received during alarm condition.

Latch 2

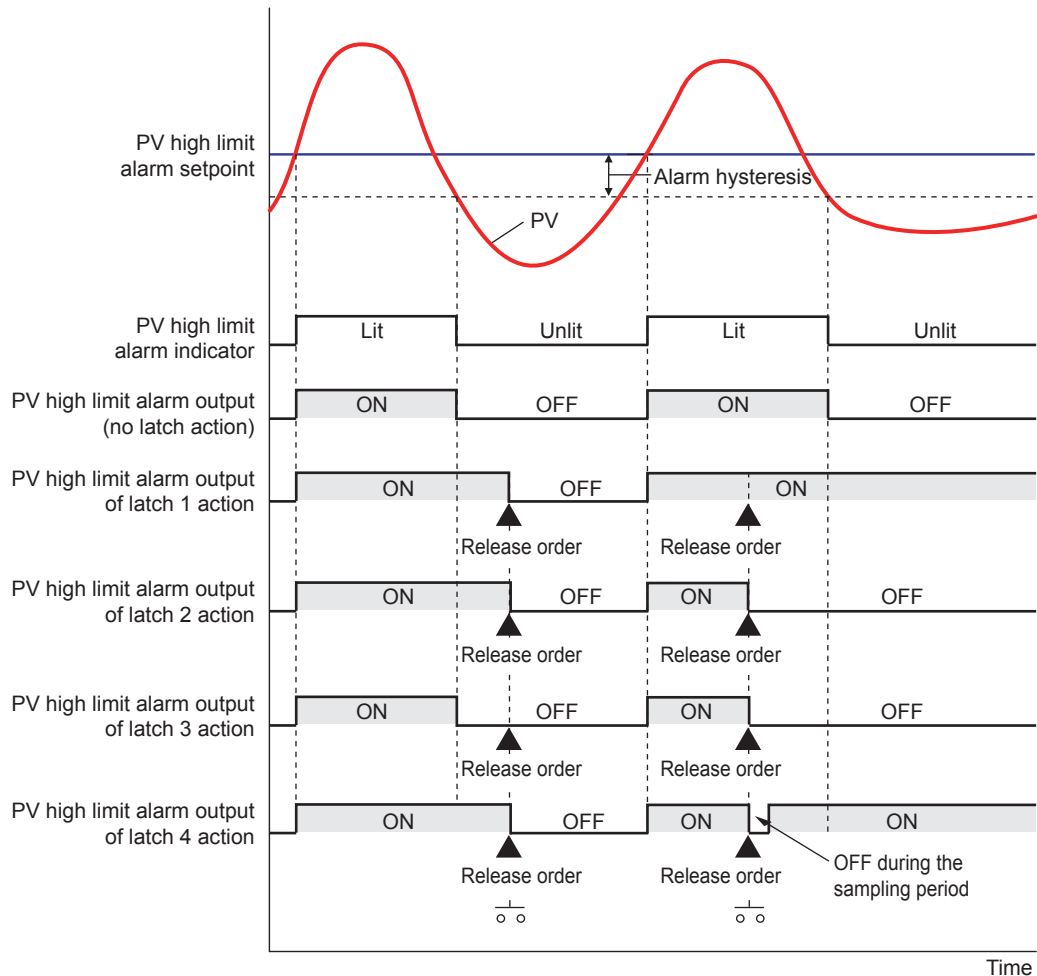
Always forces cancelling of the alarm output when an order to release the alarm latch is received. (Alarm output OFF)

Latch 3

Cancels the alarm output when an order to release the alarm latch is received or when the alarm condition is removed. (Alarm output OFF.)

Latch 4

Cancels the alarm output when an order to release the alarm latch is received. (Alarm output OFF.)
 However, cancels the alarm output for the duration of the sampling period (control period) if an order to release the alarm latch is received during alarm condition. (Alarm output OFF)



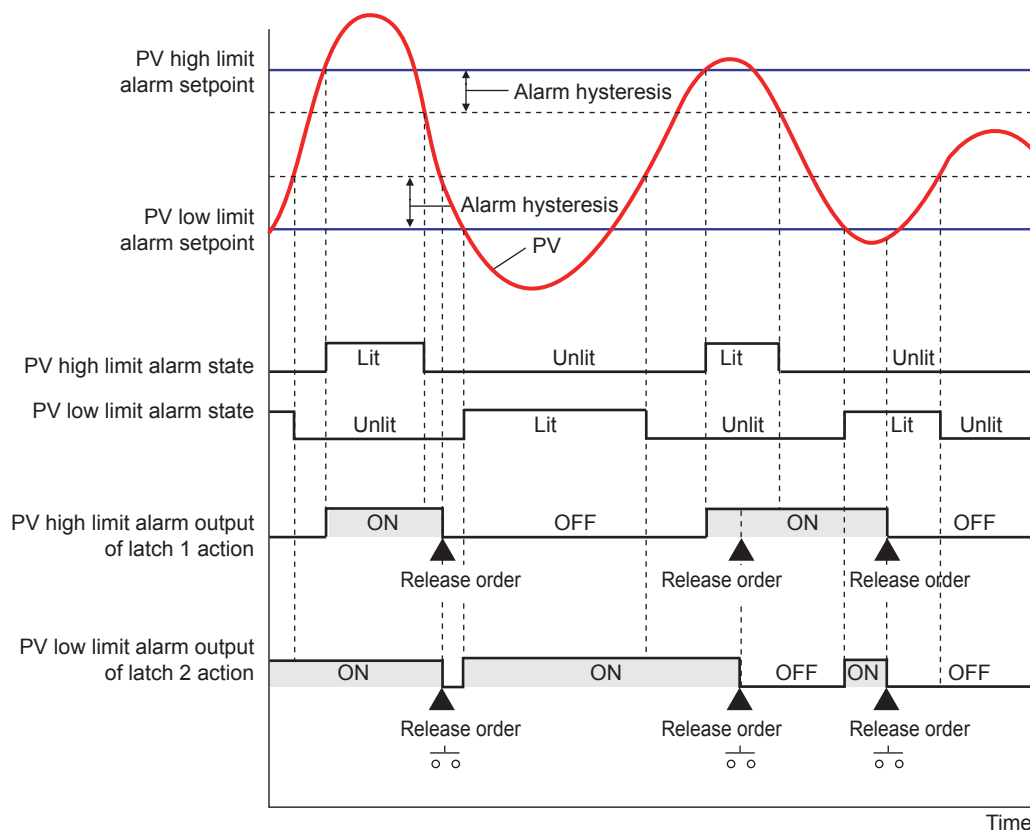
Contact type in the figure above: Energized when an event occurs (factory default).

Release of Alarm Latch

The alarm latch function can be cancelled by the user function key, via communication/ladder program, or by contact input.

Cancelling the alarm latch function cancels all latched alarm outputs.

- ▶ Release by user function key: [13.2 Assigning Function to User Function Key and A/M key](#)
- ▶ Release by contact input: [12.1.1 Setting Contact Input Function](#)
- ▶ Release via communication: [UTAdvanced Series Communication Interface User's Manual](#)



Contact type in the figure above: Energized when an event occurs (factory default).


Operation of Alarm Output and Display Lamp (EV)

The contact output and display lamp (EV) are usually output and displayed according to the setpoint of the alarm type. However, the alarm conditions (operations) of the normal action, and latch action can be assigned to the contact output and display lamp (EV), regardless of the setpoint of the alarm type. (Two operations can be assigned simultaneously.)

- ▶ Display lamp action: [13.1 Setting Display Functions](#)
- ▶ Contact output action: [12.2.1 Setting Function of Contact Output](#)

11.1 Setting Alarm Type

Setting Details

Parameter symbol	Name	Display level	Setting range	Menu symbol
AL1 to AL8	Alarm-1 to -8 type	EASY	See the table below.	ALRM 
VT1 to VT8	PV velocity alarm time setpoint 1 to 8	EASY	00.01 to 99.59 (minute.second)	

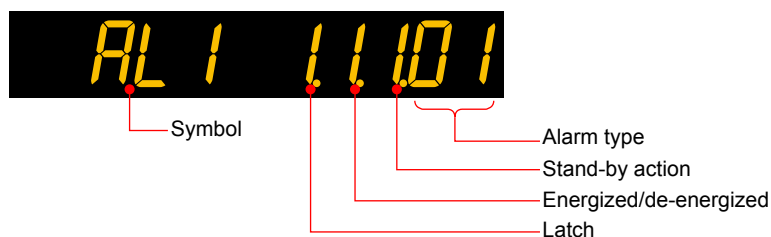
Note1: The initial values of the parameters AL1 to AL8 and VT1 to VT8 are "4".

Only AL1 to AL4 and VT1 to VT4 are displayed. The number of alarms can be changed using the parameter ALNO.

Note2: In Cascade control, the LP2 lamp is lit while the Loop-2 parameter is displayed.

For models with the /MDL option, configure using the LL50A Parameter Setting Software (sold separately) or through communication.

The following shows the example of setting PV high limit (01), With stand-by action (1), De-energized (1), and Latch 1 action (1).



Name	Latch action (Note 1)	Energized (0) / de-energized (1)	Stand-by action Without (0) / with (1)	Alarm type
Disable	- (Note 2)	- (Note 2)	- (Note 2)	00
PV high limit	0 / 1 / 2 / 3 / 4	0 / 1	0 / 1	01
PV low limit	0 / 1 / 2 / 3 / 4	0 / 1	0 / 1	02
SP high limit	0 / 1 / 2 / 3 / 4	0 / 1	0 / 1	03
SP low limit	0 / 1 / 2 / 3 / 4	0 / 1	0 / 1	04
Deviation high limit	0 / 1 / 2 / 3 / 4	0 / 1	0 / 1	05
Deviation low limit	0 / 1 / 2 / 3 / 4	0 / 1	0 / 1	06
Deviation high and low limits	0 / 1 / 2 / 3 / 4	0 / 1	0 / 1	07
Deviation within high and low limits	0 / 1 / 2 / 3 / 4	0 / 1	0 / 1	08
Target SP high limit	0 / 1 / 2 / 3 / 4	0 / 1	0 / 1	09
Target SP low limit	0 / 1 / 2 / 3 / 4	0 / 1	0 / 1	10
Target SP deviation high limit	0 / 1 / 2 / 3 / 4	0 / 1	0 / 1	11
Target SP deviation low limit	0 / 1 / 2 / 3 / 4	0 / 1	0 / 1	12
Target SP deviation high and low limits	0 / 1 / 2 / 3 / 4	0 / 1	0 / 1	13
Target SP deviation within high and low limits	0 / 1 / 2 / 3 / 4	0 / 1	0 / 1	14
Control output high limit	0 / 1 / 2 / 3 / 4	0 / 1	0 / 1	15
Control output low limit	0 / 1 / 2 / 3 / 4	0 / 1	0 / 1	16
Cooling-side Control output high limit	0 / 1 / 2 / 3 / 4	0 / 1	0 / 1	17
Cooling-side Control output low limit	0 / 1 / 2 / 3 / 4	0 / 1	0 / 1	18
Analog input PV high limit	0 / 1 / 2 / 3 / 4	0 / 1	0 / 1	19
Analog input PV low limit	0 / 1 / 2 / 3 / 4	0 / 1	0 / 1	20
Analog input RSP high limit	0 / 1 / 2 / 3 / 4	0 / 1	0 / 1	21
Analog input RSP low limit	0 / 1 / 2 / 3 / 4	0 / 1	0 / 1	22
Analog input AIN2 high limit	0 / 1 / 2 / 3 / 4	0 / 1	0 / 1	23
Analog input AIN2 low limit	0 / 1 / 2 / 3 / 4	0 / 1	0 / 1	24
Analog input AIN4 high limit	0 / 1 / 2 / 3 / 4	0 / 1	0 / 1	25
Analog input AIN4 low limit	0 / 1 / 2 / 3 / 4	0 / 1	0 / 1	26
Feedback input high limit	0 / 1 / 2 / 3 / 4	0 / 1	0 / 1	27
Feedback input low limit	0 / 1 / 2 / 3 / 4	0 / 1	0 / 1	28
PV velocity	0 / 1 / 2 / 3 / 4	0 / 1	- (Note 2)	29
Fault diagnosis	0 / 1 / 2 / 3 / 4	0 / 1	- (Note 2)	30
FAIL	- (Note 2)	- (Note 2)	- (Note 2)	31

Note 1: 0: No latch function, 1: Latch 1, 2: Latch 2, 3: Latch 3, 4: Latch 4

Note 2: -: Alarm function doesn't work even if any value is set.

11.1 Setting Alarm Type

Name	Latch action (Note 1)	Energized (0) / de-energized (1)	Stand-by action Without (0) / with (1)	Alarm type
Deviation(%) high limit	0 / 1 / 2 / 3 / 4	0 / 1	0 / 1	32
Deviation(%) low limit	0 / 1 / 2 / 3 / 4	0 / 1	0 / 1	33
Deviation(%) high and low limits	0 / 1 / 2 / 3 / 4	0 / 1	0 / 1	34
Deviation(%) within high and low limits	0 / 1 / 2 / 3 / 4	0 / 1	0 / 1	35
Target SP deviation(%) high limit	0 / 1 / 2 / 3 / 4	0 / 1	0 / 1	36
Target SP deviation(%) low limit	0 / 1 / 2 / 3 / 4	0 / 1	0 / 1	37
Target SP deviation(%) high and low limits	0 / 1 / 2 / 3 / 4	0 / 1	0 / 1	38
Target SP deviation(%) within high and low limits	0 / 1 / 2 / 3 / 4	0 / 1	0 / 1	39

Note 1: 0: No latch function, 1: Latch 1, 2: Latch 2, 3: Latch 3, 4: Latch 4

Note 2: -: Alarm function doesn't work even if any value is set.

11.2 Setting Number of Alarm Groups to Use

Description

Up to eight alarm groups of alarm type, alarm hysteresis, alarm (On-/Off-) delay timer, and alarm setpoint are available.

Unused alarm parameters can be hidden and their functions can be turned off.

The initial value of parameter ALNO. is "4."

When ALNO. = 4, for example, only the four groups of alarm type, PV velocity alarm time setpoint, alarm hysteresis, alarm delay timer, and alarm setpoint are displayed.

If the number of alarms is set to zero, alarm setpoint parameters, alarm type parameters, and menu are not displayed.

Setting Details

Parameter symbol	Name	Display level	Setting range	Menu symbol
ALNO.	Number of alarm groups	PRO	0 to 8	CTL Set

Note1: In Cascade control, the LP2 lamp is lit while the Loop-2 parameter is displayed.

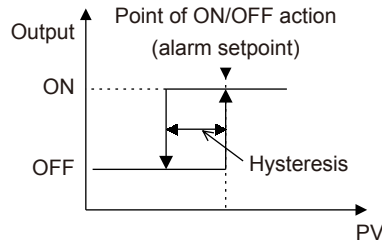
For models with the /MDL option, configure using the LL50A Parameter Setting Software (sold separately) or through communication.

11.3 Setting Hysteresis to Alarm Operation

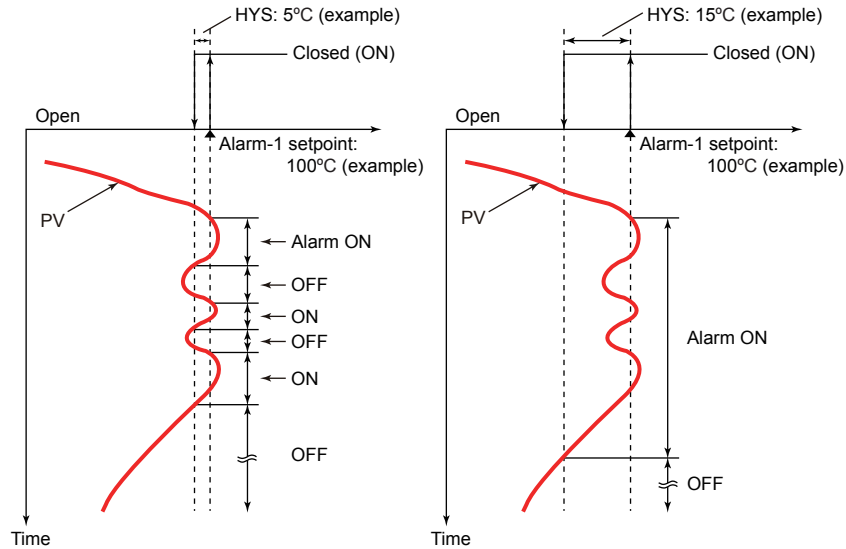
Description

If the On/Off switch of the alarm output is too busy, you can alleviate the busyness by increasing the alarm hysteresis.

Hysteresis for PV High Limit Alarm



When Setting Hysteresis of 5°C and 15°C for PV High Limit Alarm



Setting Details

Parameter symbol	Name	Display level	Setting range	Menu symbol
HY1 to HY8	Alarm-1 to -8 hysteresis	EASY	Sets the hysteresis setpoint as a display value. -19999 to 30000 (set it within the input range) The decimal point position depends on the input type.	ALRM Ope

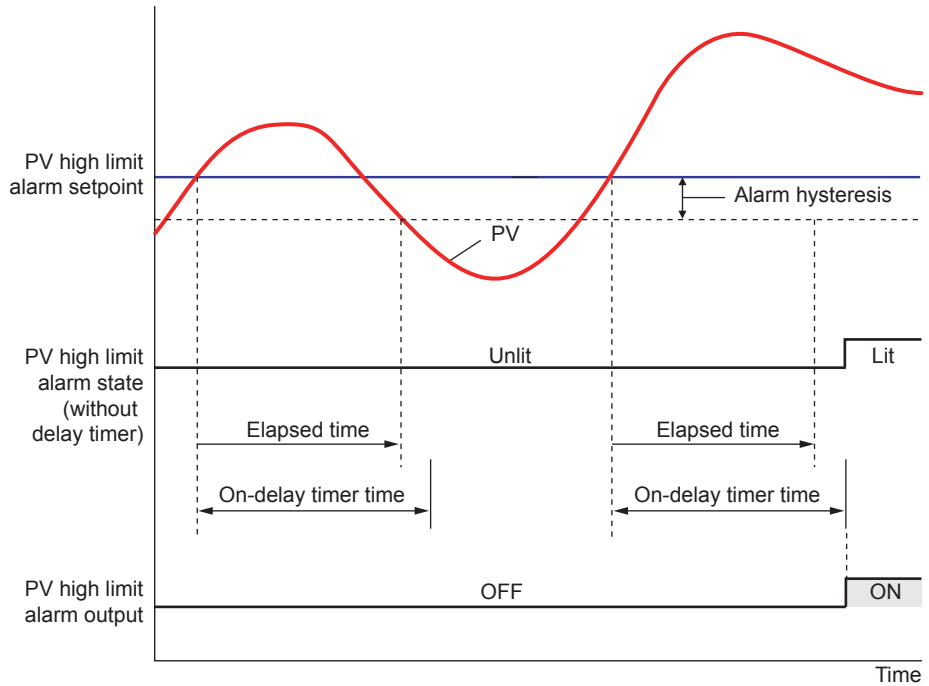
Note1: In Cascade control, the LP2 lamp is lit while the Loop-2 parameter is displayed.

For models with the /MDL option, configure using the LL50A Parameter Setting Software (sold separately) or through communication.

11.4 Delaying Alarm Output (Alarm Delay Timer)

Description

The alarm on-delay timer is a function for turning on the alarm when the alarm condition occurs, and the timer starts and the set time elapses. The timer is reset if the alarm condition is removed while the timer is running. No alarm is generated. The figure below shows the example of the On-delay timer



Contact type in the figure above: Energized when an event occurs (factory default).

The alarm Off-delay timer is a function for turning off the alarm when the alarm condition is removed (normal condition), and the timer starts and the set time elapses. The timer is reset if the alarm condition occurs again while the timer is running. The alarm is not cancelled.

Setting Details

Parameter symbol	Name	Display level	Setting range	Menu symbol
DYN1 to DYN8	Alarm-1 to -8 On-delay timer	STD	0.00 to 99.59 (minute.second)	ALRM Ope
DYF1 to DYF8	Alarm-1 to -8 Off-delay timer	PRO		

Note1: In Cascade control, the LP2 lamp is lit while the Loop-2 parameter is displayed.


For models with the /MDL option, configure using the LL50A Parameter Setting Software (sold separately) or through communication.

11.5 Setting Alarm Output to Control Relay Terminal

Description

The control relay terminal can be used for alarm output when it is not used for control output.

Setting Details

Parameter symbol	Name	Display level	Setting range	Menu symbol
OR.S	OUT relay function selection	STD	Same as the setpoint for the contact output function. See 12.2.1, "Setting Function of Contact Output."	ALM 
OR.D	OUT relay contact type	PRO	0: Closes the contact when an event occurs 1: Opens the contact when an event occurs.	
OR2.S	OUT2 relay function selection	STD	Same as OR.S.	
OR2.D	OUT2 relay contact type	PRO	Same as OR.D	

Parameters and Corresponding Terminals

OR.S, OR.D	OUT terminal
OR2.S, OR2.D	OUT2 terminal


For models with the /MDL option, configure using the LL50A Parameter Setting Software (sold separately) or through communication.

11.6 Setting Alarm Action According to Operation Mode

Description

The alarm action usually functions regardless of operation modes. Setting the alarm mode allows the alarm action to be disabled in STOP or in STOP or MAN mode.

Setting Details

Parameter symbol	Name	Display level	Setting range	Menu symbol
AMD	Alarm mode	STD	0: Always active 1: Not active in STOP mode 2: Not active in STOP or MAN mode	ALRM 

Note1: In Cascade control, the LP2 lamp is lit while the Loop-2 parameter is displayed.

For models with the /MDL option, configure using the LL50A Parameter Setting Software (sold separately) or through communication.

11.7 Setting Heater Break Alarm

Description

Either of heater break alarm function or heater current measurement function can be selected.

This section does not apply to models with the /MDL option.

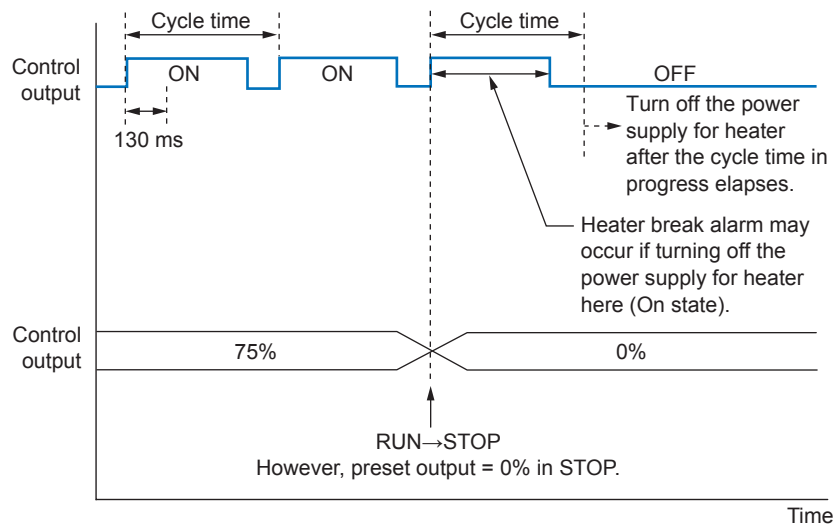
Heater Break Alarm Function

The heater break alarm function measures the heater current, and outputs the heater break alarm if the current is less than the heater break detecting point.

The heater break alarm function can be used only for ON/OFF output (relay output) or for time proportional output (relay output, voltage pulse output). It cannot be used for current output.

Timing which detects the heater break alarm is as follows.

- For ON/OFF output:
Heater break is detected when control output is in On-state. (Heater break is not detected when control output is in Off-state.)
- For time proportional output:
When On-state time of control output is 130 ms or longer, heater break is detected.
Heater break is detected between 20 ms and 120 ms after control output turns on.
Heater current value is detected every 200 ms while control output turns on.



Heater break detecting point

Set a detecting point (setpoint) of heater break alarm.

The heater break alarm is output if the measured current is less than the detecting point (setpoint).

Current Transformer Winding Number Ratio

The coil winding number ratio of current transformer (CT ratio) can be set.

Example: Set the CT ratio "800" for the CTL-6-S-H manufactured by U.R.D. Co., Ltd.

Heater Current Measured Value

A measured heater current value can be confirmed by a displayed value on operation display.

▶ [Heater current measured value: 6.1 Monitoring and Control of Operaiotn Displays](#)

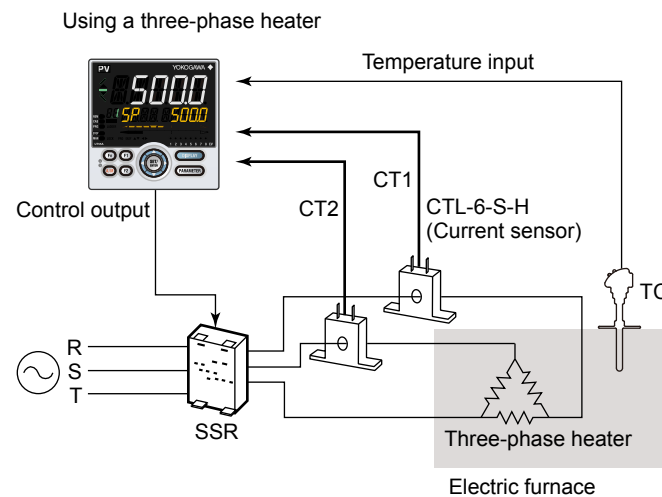
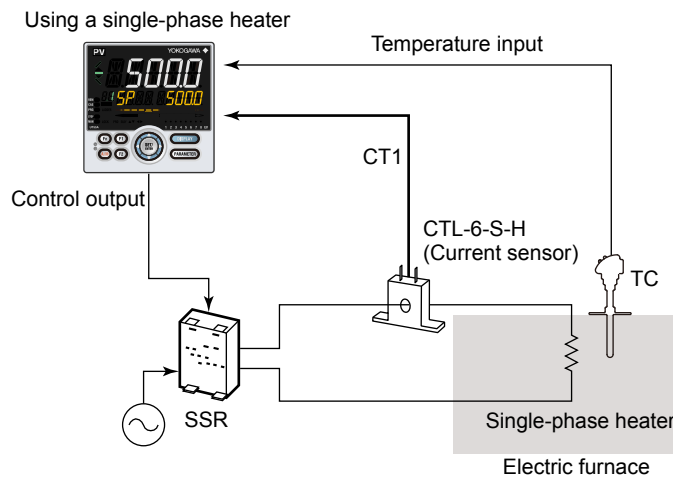
Heater Break Alarm Delay Timer

The delay timer (On-delay timer, Off-delay timer) can be set for the heater break alarm function.

▶ [Delay timer: 11.4 Delaying Alarm Output \(Alarm Delay Timer\)](#)

Heater Break Alarm Output Contact Type

The heater break alarm output contact type sets an action direction of contact output (ON/OFF) when an event occurs.



Release of Heater Break Alarm

To stop or abthe heater break alarm, power on and then power off the main unit.

Heater Current Measurement Function


The heater current value can be confirmed by a displayed value on operation display.

▶ [Heater current measured value: 6.1 Monitoring and Control of Operaiotn Displays](#)

The heater break alarm function can be used only for ON/OFF output (relay output), for time proportional output (relay output, voltage pulse output) or for current output.

Heater current value is detected every 200 ms.

Setting Details

Parameter symbol	Name	Display level	Setting range	Menu symbol
HB1.S, HB2.S	Heater break alarm function selection	EASY	0: Heater current measurement 1: Heater break alarm	HBA 
HB1, HB2	Heater break alarm current setpoint	EASY	OFF, 0.1 to 300.0 Arms	
CT1.T, CT2.T	CT coil winding number ratio	EASY	1 to 3300	
HDN1, HDN2	Heater break alarm On-delay timer	STD	0.00 to 99.59 (minute.second)	
HDF1, HDF2	Heater break alarm Off-delay timer	PRO		
HB1.D, HB2.D	Heater break alarm contact type	PRO	CLS: When the event occurs, the contact is closed. OPN: When the event occurs, the contact is opened.	

Note1: In cases where the current transformer manufactured by U.R.D Co., Ltd. are used, set the following value for the CT coil winding number ratio.
 CTL-6-S-H: 800
 CTL-12L-30: 3000

12.1 Setting Contact Input Function

12.1.1 Setting Contact Input Function

Description

The contact input function works by setting the contact input number (I relay) to functions such as the operation mode.

This explanation assumes that the contact type is energized. (The function is executed when the contact is turned on)

If the power is switched from off to on in the DI on state, the contact state is changed from off to on.

AUTO/MAN Switch (A/M)

AUTO/MAN mode can be switched using contact input. (Status switch)

Contact status	Operation	Remark
ON	AUTO	Switch by keystroke or via communication is disabled.
OFF	MAN	Switch by keystroke or via communication is enabled.

AUTO/MAN switch is disabled in Cascade control or Cascade secondary-loop control.

REMOTE/LOCAL Switch (R/L)

REMOTE/LOCAL mode can be switched using contact input. (Status switch)

Contact status	Operation	Remark
ON	REMOTE	Switch by keystroke or via communication is disabled.
OFF	LOCAL	Switch by keystroke or via communication is enabled.

In Cascade control, the LP2 lamp is lit while the Loop-2 parameter is displayed.

STOP/RUN Switch (S/R)

STOP/RUN mode can be switched using contact input. (Status switch)

Contact status	Operation	Remark
ON	STOP	When the STOP/RUN switch is assigned (S/R ≠ 0), switch by keystroke or via communication is disabled.
OFF	RUN	–

Switch to Cascade (CAS)

In Cascade control, the mode can be switched to CAS (cascade) using contact input. (Switch by the rising edge)

Contact status	Operation	Remark
OFF→ON	Switch to CAS (cascade)	–
ON→OFF	Maintains the current operation status	–

Switch to AUTO (AUTO)

In Cascade control, the mode can be switched to AUTO using contact input. (Switch by the rising edge)

Contact status	Operation	Remark
OFF→ON	Switch to AUTO	–
ON→OFF	Maintains the current operation status	–

12.1 Setting Contact Input Function

Switch to MAN (MAN)

The mode can be switched to MAN using contact input. (Switch by the rising edge)

Contact status	Operation	Remark
OFF→ON	Switch to MAN	–
ON→OFF	Maintains the current operation status	–

Switch to REMOTE (REM)

The mode can be switched to REMOTE using contact input. (Switch by the rising edge)

Contact status	Operation	Remark
OFF→ON	Switch to REMOTE	–
ON→OFF	Maintains the current operation status	–

In Cascade control, the LP2 lamp is lit while the Loop-2 parameter is displayed.

Switch to LOCAL (LCL)

The mode can be switched to LOCAL using contact input. (Switch by the rising edge)

Contact status	Operation	Remark
OFF→ON	Switch to LOCAL	–
ON→OFF	Maintains the current operation status	–

In Cascade control, the LP2 lamp is lit while the Loop-2 parameter is displayed.

Auto-tuning START/STOP Switch (AT)

Auto-tuning START/STOP can be switched using contact input.

Auto-tuning is executed to the PID group currently specified. (Switch by the rising edge and the falling edge)

Contact status	Operation	Remark
OFF→ON	Starts auto-tuning	–
ON→OFF	Stops auto-tuning	–

Output Tracking Switch (TRK)

Output tracking can be switched using contact input. (Status switch)

If output tracking is switched from off to on, the output is bumped to the external input value.

If output tracking is switched from on to off, the output is not bumped.

Contact status	Operation	Remark
ON	Turns the output tracking on	–
OFF	Turns the output tracking off	–

Can be used in Cascade primary-loop control or Loop control for backup.

PV Switch (SW)

Two PV inputs can be switched using contact input. (Status switch)

Contact status	Operation	Remark
ON	Switches to input 2	–
OFF	Switches to input 1	–

Can be used in Loop control with PV switching.

PV Hold (PVHD)

PV can be held using contact input. (Status switch)

Contact status	Operation	Remark
ON	Switches to MAN, holds PV	AUTO/MAN switch by keystroke or via communication is disabled. Holds the PV status.
OFF	Switches to AUTO	AUTO/MAN switch by keystroke or via communication is enabled.

Can be used in Loop control with PV-hold function.

Latch Release (LAT)

Latch can be released using contact input. (Switch by the rising edge)

Contact status	Operation	Remark
OFF→ON	Releases the latch	–
ON→OFF	Maintains the current operation status	–

Releasing the latch function releases all latched contact (alarm) outputs.

LCD Backlight ON/OFF Switch (LCD)

LCD backlight ON/OFF can be switched using contact input. (Switch by the rising edge and the falling edge)

Contact status	Operation	Remark
OFF→ON	Turns off the LCD backlight	–
ON→OFF	Turns on the LCD backlight	–

CAS to AUTO Switch (CTOA)

The mode is switched from CAS to AUTO when the primary-side controller fails. (Status switch) CAS to AUTO Switch can be set when the control mode (CTLM) is Cascade secondary-loop control.

Contact status	Operation	Remark
ON	Does not work.	–
OFF	Switches to AUTO when the operation mode is CAS (cascade).	AUTO/MAN switch by keystroke or via communication is enabled.

Message Display Interruption 1 to 4 (MG 1 to 4)

The message set using LL50A Parameter Setting Software can be interrupt-displayed on PV display using contact input. The messages are limited to 20 alphanumeric characters. A maximum of four displays can be registered. (Switch by the rising edge)

► [Message: LL50A Parameter Setting Software User's Manual](#)

Contact status	Operation	Remark
OFF→ON	Interrupt-displays the message	Pressing the DISPLAY key erases the message.
ON→OFF	Displays the current PV	–

PV Red/white Switch (PVRW)

PV color can be switched using contact input. (Status switch)

Contact status	Operation	Remark
ON	Red color	–
OFF	White color	–

Set "10" to the parameter PCMD.

12.1 Setting Contact Input Function

Bit-0 to Bit-3 of SP Number (SP.B0 to SP.B3)

The SP number can be switched using contact input. There are two methods to specify SP number.

- Status switch 1 (Operation by keystroke or via communication is enabled depending on the conditions.)

SP number	Contact status			
	SP.B3	SP.B2	SP.B1	SP.B0
1	OFF	OFF	OFF	ON
2	OFF	OFF	ON	OFF
3	OFF	OFF	ON	ON
4	OFF	ON	OFF	OFF
5	OFF	ON	OFF	ON
6	OFF	ON	ON	OFF
7	OFF	ON	ON	ON
8	ON	OFF	OFF	OFF

*1: "1" when the contact input is turned on and "0" when turned off.

*2: SP number can be switched by keystroke or via communication when all contact inputs of SP.B0 to SP.B3 are turned off.

*3: SP number cannot be switched by keystroke or via communication when any contact input of SP.B0 to SP.B3 is turned on.

*4: The contact input is turned off when the bit of SP number is not assigned to the contact input.

*5: The immediately preceding SP number is held when all contact inputs are turned off.

- Status switch 2 (Operation by keystroke or via communication is disabled.)

SP number	Contact status		
	SP.B2	SP.B1	SP.B0
1	OFF	OFF	OFF
2	OFF	OFF	ON
3	OFF	ON	OFF
4	OFF	ON	ON
5	ON	OFF	OFF
6	ON	OFF	ON
7	ON	ON	OFF
8	ON	ON	ON

*1: "1" when the contact input is turned on and "0" when turned off.


*2: Contact input is turned off when the bit of SP number is not assigned to the contact input.

SP group and PID group when the SP number is changed

In the SP group number selection method, the PID changes to the PID group set with parameter PIDN at the same time the SP group is switched.

In the zone PID selection method, only the SP group will be switched.

Setting Details

Parameter symbol	Name	Display level	Setting range	Menu symbol
SP.BC	Bit changing method of SP number	STD	0: Status switch 1 1: Status switch 2	DI.NU 

For models with the /MDL option, configure using the LL50A Parameter Setting Software (sold separately) or through communication.

Bit-0 to Bit-3 of PID Number (PN.B0 to PN.B3)

The PID number can be switched using contact input. There are two methods to specify a PID number.

- Status switch 1 (Operation by keystroke or via communication is enabled depending on the conditions.)

PID number	Contact status			
	PN.B3	PN.B2	PN.B1	PN.B0
1	OFF	OFF	OFF	ON
2	OFF	OFF	ON	OFF
3	OFF	OFF	ON	ON
4	OFF	ON	OFF	OFF
5	OFF	ON	OFF	ON
6	OFF	ON	ON	OFF
7	OFF	ON	ON	ON
8	ON	OFF	OFF	OFF

*1: "1" when the contact input is turned on and "0" when turned off.

*2: PID number can be switched by keystroke or via communication when all contact inputs of PN.B0 to PN.B3 are turned off.

*3: PID number cannot be switched by keystroke or via communication when any contact input of PN.B0 to PN.B3 is turned on.

*4: The contact input is turned off when the bit of PID number is not assigned to the contact input.

- Status switch 2 (Operation by keystroke or via communication is disabled.)

PID number	Contact status		
	PN.B2	PN.B1	PN.B0
1	OFF	OFF	OFF
2	OFF	OFF	ON
3	OFF	ON	OFF
4	OFF	ON	ON
5	ON	OFF	OFF
6	ON	OFF	ON
7	ON	ON	OFF
8	ON	ON	ON

*1: "1" when the contact input is turned on and "0" when turned off.

*2: Contact input is turned off when the bit of PID number is not assigned to the contact input.

In Cascade control, PID number selection is only for Loop 1.

Setting Details

Parameter symbol	Name	Display level	Setting range	Menu symbol
PN.BC	Bit changing method of PID number	PRO	0: Status switch 1 1: Status switch 2	DI.NU Set

For models with the /MDL option, configure using the LL50A Parameter Setting Software (sold separately) or through communication.

12.1 Setting Contact Input Function

Bit-0 to Bit-2 of Manual Preset Output Number (MP.B0 to MP.B2)

The manual preset output number can be switched using contact input. There are two methods to specify a manual preset output number.

- Status switch 1 (Operation by keystroke or via communication is enabled depending on the conditions.)

Manual preset output number	Contact status		
	MP.B2	MP.B1	MP.B0
1	OFF	OFF	ON
2	OFF	ON	OFF
3	OFF	ON	ON
4	ON	OFF	OFF
5	ON	OFF	ON

*1: "1" when the contact input is turned on and "0" when turned off.

*2: Manual preset output number can be switched by keystroke via communication when all contact inputs of MP.B0 to MP.B2 are turned off.

*3: Manual preset output number cannot be switched by keystroke or via communication when any contact input of MP.B0 to MP.B2 is turned on.

*4: The contact input is turned off when the bit of manual preset output number is not assigned to the contact input.

- Status Switch 2 (Operation by keystroke or via communication is disabled.)

Manual preset output number	Contact status		
	MP.B2	MP.B1	MP.B0
1	OFF	OFF	OFF
2	OFF	OFF	ON
3	OFF	ON	OFF
4	OFF	ON	ON
5	ON	OFF	OFF

*1: "1" when contact input is turned on and "0" when turned off.

*2: The contact input is turned off when the bit of manual preset output number is not assigned to the contact input.

In Cascade control, the manual preset output number selection is only for Loop 2.

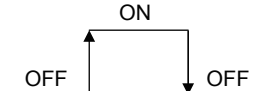
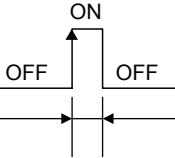
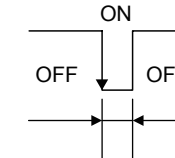
Setting Details

Parameter symbol	Name	Display level	Setting range	Menu symbol
MP.BC	Bit changing method of manual preset output number	PRO	0: Status switch 1 1: Status switch 2	DI.NU Set

Note1: In Cascade control, the LP2 lamp is lit while the Loop-2 parameter is displayed.

For models with the /MDL option, configure using the LL50A Parameter Setting Software (sold separately) or through communication.

Contact Action

Type	Operation	Description
Status		<p>Receiving a contact input signal changes the status to the specified operation, and a release changes the status back to the original action.</p>
Rising edge	<p>Rising edge</p>  <p>Detection time: Control period + 50 ms</p>	<p>Receiving an OFF-to-ON contact input signal changes the status to the specified operation. The minimum detection time is the control period + 50 ms.</p> <p>Pulse width is 50 ms or more.</p>
Falling edge	<p>Falling edge</p>  <p>Detection time: Control period + 50 ms</p>	<p>Receiving an ON-to-OFF contact input signal changes the status to the specified operation. The minimum detection time is the control period + 50 ms.</p> <p>Pulse width is 50 ms or more.</p>

12.1 Setting Contact Input Function

Setting Details

Parameter symbol	Name	Display level	Setting range	Menu symbol
A/M	AUTO/MAN switch	STD	See the following section, "UT55A DI and Setpoint" or "UT52A DI and Setpoint".	DI.SL Set
R/L	REMOTE/LOCAL switch	STD		
S/R	STOP/RUN switch	STD		
CAS	Switch to CAS	STD		
AUTO	Switch to AUTO	STD		
MAN	Switch to MAN	STD		
REM	Switch to REMOTE	STD		
LCL	Switch to LOCAL	STD		
AT	Auto-tuning START/STOP switch	STD		
TRK	Output tracking switch	PRO		
SW	PV switch	PRO		
PVHD	PV hold	PRO		
CTOA	CAS to AUTO switch	PRO		
LAT	Latch release	STD		
LCD	LCD backlight ON/OFF switch	STD		
PVRW	PV red/white switch	STD		
MG1	Message display interruption 1	PRO		
MG2	Message display interruption 2	PRO		
MG3	Message display interruption 3	PRO		
MG4	Message display interruption 4	PRO		
SP.B0	Bit-0 of SP number	EASY		DI.NU Set
SP.B1	Bit-1 of SP number	EASY		
SP.B2	Bit-2 of SP number	EASY		
SP.B3	Bit-3 of SP number	EASY		
PN.B0	Bit-0 of PID number	STD		
PN.B1	Bit-1 of PID number	STD		
PN.B2	Bit-2 of PID number	STD		
PN.B3	Bit-3 of PID number	STD		
MP.B0	Bit-0 of manual preset output number	STD		
MP.B1	Bit-1 of manual preset output number	STD		
MP.B2	Bit-2 of manual preset output number	STD		

For models with the /MDL option, configure using the LL50A Parameter Setting Software (sold separately) or through communication.

UT55A (Standard model) DI and Setpoint (I relay number)

DI equipped as standard

DI symbol	Setpoint
DI1	5025
DI2	5026
DI3	5027

Additional DI

DI symbol	Setpoint	DI symbol	Setpoint	DI symbol	Setpoint	DI symbol	Setpoint
DI11	5041	–	–	DI31	5073	DI41	5089
DI12	5042	–	–	DI32	5074	DI42	5090
DI13	5043	–	–	DI33	5075	DI43	5091
DI14	5044	–	–	DI34	5076	DI44	5092
DI15	5045	–	–	DI35	5077	DI45	5093
DI16	5046	DI26	5062	–	–	DI46	5094

DI16 can be used when the suffix code: Type 2 = 1, 2, 4, 5, or 7, and without the optional suffix code /DR.

UT52A (Standard model) DI and Setpoint (I relay number)

DI equipped as standard

DI symbol	Setpoint
DI1	5025
DI2	5026
DI3	5027

Additional DI

DI symbol	Setpoint
DI11	5041
DI12	5042
DI16	5046

DI16 can be used when the suffix code: Type 2 = 1, 2, or 3, and without the optional suffix code /DR.

UT55A/UT52A (Detailed model) DI and Setpoint (I relay number)

DI equipped as standard

DI symbol	Setpoint
DI1	5025
DI2	5026
DI3	5027

Additional DI

Option /X1		Option /X2		Option /X3		Option /X4	
DI symbol	Setpoint	DI symbol	Setpoint	DI symbol	Setpoint	DI symbol	Setpoint
DI11	5041	DI21	5057	DI31	5073	DI41	5089
DI12	5042	DI22	5058	DI32	5074	DI42	5090
DI13	5043	DI23	5059	DI33	5075	DI43	5091
DI14	5044	DI24	5060	DI34	5076	DI44	5092
DI15	5045	DI25	5061	DI35	5077	DI45	5093

Additional DI

Option /R1 or /RCH1		Option /A2		Option /A4 or /AC4	
DI symbol	Setpoint	DI symbol	Setpoint	DI symbol	Setpoint
DI16	5046	DI26	5062	DI46	5094

12.1 Setting Contact Input Function

12.1.2 Changing Contact Type of Contact Input

Description

The contact type can set the action direction of contact input assigned to the function.

Setting Details

Contact Input Equipped as Standard

Parameter symbol	Name	Display level	Setting range	Menu symbol
DI1.D	DI1 contact type	PRO	0: The assigned function is enabled when the contact input is closed. 1: The assigned function is enabled when the contact input is opened.	DI.D Set
DI2.D	DI2 contact type	PRO		
DI3.D	DI3 contact type	PRO		

Note1: Nothing is displayed on Group display when each parameter is displayed.

Additional Contact Input

Parameter symbol	Name	Display level	Setting range	Menu symbol
DI1.D	DIn1 contact type	PRO	0: The assigned function is enabled when the contact input is closed. 1: The assigned function is enabled when the contact input is opened.	DI.D Set
DI2.D	DIn2 contact type	PRO		
DI3.D	DIn3 contact type	PRO		
DI4.D	DIn4 contact type	PRO		
DI5.D	DIn5 contact type	PRO		
DI6.D	DIn6 contact type	PRO		RSP, AIN2, or AIN4 Set

Note1: When each parameter is displayed, the terminal area (E1 to E4) is displayed on Group display according to the suffix code and optional suffix code. "n" denotes the position of the terminal area. (n = 1 to 4)

For models with the /MDL option, configure using the LL50A Parameter Setting Software (sold separately) or through communication.

12.2 Setting Contact Output Function

12.2.1 Setting Function of Contact Output

Description

The contact output function works by setting a status such as an alarm to the contact output.

This explanation assumes that the contact type is energized. (The contact is turned on when an event occurs.)

Setting Details

Contact Output Equipped as Standard

Parameter symbol	Name	Display level	Setting range	Menu symbol
AL1.S	AL1 function selection	STD	See the following section.	ALM Set
AL2.S	AL2 function selection	STD		
AL3.S	AL3 function selection	STD		

Note1: Nothing is displayed on Group display when each parameter is displayed.

Additional Contact Output

Parameter symbol	Name	Display level	Setting range	Menu symbol
DO1.S	DOn1 function selection	STD	See the following section.	DO Set
DO2.S	DOn2 function selection	STD		
DO3.S	DOn3 function selection	STD		
DO4.S	DOn4 function selection	STD		
DO5.S	DOn5 function selection	STD		

Note1: When each parameter is displayed, the terminal area (E1 to E4) is displayed on Group display according to the suffix code and optional suffix code. "n" denotes the position of the terminal area. (n = 1 to 4)

Contact Output for Control

Parameter symbol	Name	Display level	Setting range	Menu symbol
OR.S	OUT relay function selection	STD	See the following section.	ALM Set
OR2.S	OUT2 relay function selection	STD		

Note1: Nothing is displayed on Group display when each parameter is displayed.

Note2: OR.S and OR2.S can be used as status output when they are not used as control output. OR2.S can be used for Heating/cooling type.

For models with the /MDL option, configure using the LL50A Parameter Setting Software (sold separately) or through communication.

12.2 Setting Contact Output Function

Alarm Status

The alarm status can be output to the contact output. (The setpoints below are I relay numbers.)

▶ [I relay: UTAdvanced Series Communication Interface \(RS-485, Ethernet\) User's Manual](#)

Setpoint		Function
Alarm status	Alarm output status	
4321	4353	Alarm 1
4322	4354	Alarm 2
4323	4355	Alarm 3
4325	4357	Alarm 4
4326	4358	Alarm 5
4327	4359	Alarm 6
4329	4361	Alarm 7
4330	4362	Alarm 8
4337	4369	Loop-2 alarm 1 (in Cascade control)
4338	4370	Loop-2 alarm 2 (in Cascade control)
4339	4371	Loop-2 alarm 3 (in Cascade control)
4341	4373	Loop-2 alarm 4 (in Cascade control)
4342	4374	Loop-2 alarm 5 (in Cascade control)
4343	4375	Loop-2 alarm 6 (in Cascade control)
4345	4377	Loop-2 alarm 7 (in Cascade control)
4346	4378	Loop-2 alarm 8 (in Cascade control)

- Alarm status: The internal alarm status is turned on when an alarm occurs and turned off in normal condition
- Alarm output status: Contact output status when an alarm occurs (ON in alarm condition and OFF in normal condition)

However, the output status depends on the settings of energized/de-energized of alarm, latch action, and contact type.

The above assumes that the contact type is energized. (Then contact is turned on when an event occurs.)

To output the normal alarm to the contact output, assign the alarm output status.

▶ [Alarm action: 11.1 Setting Alarm Type](#)

Alarm Latch Status

The alarm latch status can be output to another contact output irrespective of the setting of alarm-1 to -8 type (AL1 to AL8). (The setpoints below are I relay numbers.)

► [I relay: UTAdvanced Series Communication Interface \(RS-485, Ethernet\) User's Manual](#)

Setpoint				Function
Alarm output latch 1 status	Alarm output latch 2 status	Alarm output latch 3 status	Alarm output latch 4 status	
4385	4417	4449	4481	Alarm 1
4386	4418	4450	4482	Alarm 2
4387	4419	4451	4483	Alarm 3
4389	4421	4453	4485	Alarm 4
4390	4422	4454	4486	Alarm 5
4391	4423	4455	4487	Alarm 6
4393	4425	4457	4489	Alarm 7
4394	4426	4458	4490	Alarm 8
4401	4433	4465	4497	Loop-2 alarm 1 (in Cascade control)
4402	4434	4466	4498	Loop-2 alarm 2 (in Cascade control)
4403	4435	4467	4499	Loop-2 alarm 3 (in Cascade control)
4405	4437	4469	4501	Loop-2 alarm 4 (in Cascade control)
4406	4438	4470	4502	Loop-2 alarm 5 (in Cascade control)
4407	4439	4471	4503	Loop-2 alarm 6 (in Cascade control)
4409	4441	4473	4505	Loop-2 alarm 7 (in Cascade control)
4410	4442	4474	4506	Loop-2 alarm 8 (in Cascade control)

- Alarm output latch 1, 2, 3, and 4 status: ON in the latch status of the contact output when an alarm occurs and OFF in the latch release status of the contact output in normal condition

However, the output status depends on the settings of contact type.

► [Alarm latch action: 11.1 Setting Alarm Type](#)

12.2 Setting Contact Output Function

Key and Display Status

The key and display status can be output to the contact output. (The setpoints below are I relay numbers.)

Setpoint	Function	Contact status	
		ON	OFF
4705	PARAMETER key	Key is pressed	Key is not pressed
4706	DISPLAY key		
4707	Right arrow key		
4708	Down arrow key		
4709	SET/ENTER key		
4710	Up arrow key		
4711	Left key		
4712	F2 key		
4713	F1 key		
4714	A/M key		
4715	Fn key		

Operation Mode and Status

Setpoint	Function	Contact status	
		ON	OFF
4193	AUTO/MAN	MAN	AUTO
4194	Remote/Local	Remote	Local
4226	Remote/Local (Loop 2)	Remote	Local
4195	STOP/RUN	STOP	RUN
4197	Cascade (in Cascade control)	Cascade (OFF→ON)	AUTO or MAN
4198	AUTO (in Cascade control)	AUTO (OFF→ON)	Cascade or MAN
4199	MAN (in Cascade control)	MAN (OFF→ON)	Cascade or AUTO
4201	Output tracking status	Tracking ON	Tracking OFF
4207	During auto-tuning	During AT	–
4239	During auto-tuning (Loop 2)	During AT	–
4209	During automatic valve adjustment	During adjustment	–
4210	During operation by the valve position estimating type	During operation by estimating type	During operation by feedback input
4213	Valve is open	Open	–
4214	Valve is closed	Closed	–
4256	FAIL output	Normal status	FAIL status

System Error Status

Setpoint	Function	Contact status	
		ON	OFF
4529	Heater break alarm 1 status	Alarm occurs	Normal
4530	Heater break alarm 2 status	Alarm occurs	Normal
4769	Message display interruption 1 status	With interruption	Without interruption
4770	Message display interruption 2 status	With interruption	Without interruption
4771	Message display interruption 3 status	With interruption	Without interruption
4773	Message display interruption 4 status	With interruption	Without interruption

Error Status

Setpoint	Function	Contact status	
		ON	OFF
4065	PV input ADC error	Error occurs	Normal
4066	RSP input (E1-terminal area) ADC error		
4067	AIN2 input (E2-terminal area) ADC error		
4069	AIN4 input (E4-terminal area) ADC error		
4073	PV input burnout error		
4074	RSP input (E1-terminal area) burnout error		
4075	AIN2 input (E2-terminal area) burnout error		
4077	AIN4 input (E4-terminal area) burnout error		
4070	PV input RJC error		
4071	RSP input RJC error		
4081	Feedback resistance/current burnout		
4082	Automatic valve position adjustment error		
4097	PV input burnout error (Loop 1)		
4098	RSP input burnout error (Loop 1)		
4101	PV input over-scale (Loop 1)		
4102	PV input under-scale (Loop 1)		
4111	Auto-tuning time out (Loop 1)		
4113	PV input burnout (Loop 2)		
4114	RSP input burnout (Loop 2)		
4117	PV input over-scale (Loop 2)		
4118	PV input under-scale (Loop 2)		
4127	Auto-tuning time out (Loop 2)		

12.2 Setting Contact Output Function

System Error Status

Setpoint	Function	Contact status	
		ON	OFF
4001	System data error	Error occurs	Normal
4002	Calibration value error		
4003	User (parameter) default value error		
4005	Setup parameter error		
4006	Operation parameter error		
4017	Corrupted ladder program		
4018	Ladder calculation overflow		
4019	Ladder program error		
4021	Load factor over 100%		
4022	Load factor over 200%		
4009	Faulty FRAM		

12.2.2 Changing Contact Type of Contact Output

Description

The contact type can set the action direction of contact output assigned to the function.

Setting Details

Contact Output Equipped as Standard

Parameter symbol	Name	Display level	Setting range	Menu symbol
AL1.D	AL1 contact type	PRO	0: When the event of assigned function occurs, the contact output is closed. 1: When the event of assigned function occurs, the contact output is opened.	ALM Set
AL2.D	AL2 contact type	PRO		
AL3.D	AL3 contact type	PRO		

Note1: Nothing is displayed on Group display when each parameter is displayed.

Additional Contact Output

Parameter symbol	Name	Display level	Setting range	Menu symbol
DO1.D	DOn1 contact type	PRO	0: When the event of assigned function occurs, the contact output is closed. 1: When the event of assigned function occurs, the contact output is opened.	DO Set
DO2.D	DOn2 contact type	PRO		
DO3.D	DOn3 contact type	PRO		
DO4.D	DOn4 contact type	PRO		
DO5.D	DOn5 contact type	PRO		

Note1: When each parameter is displayed, the terminal area (E1 to E4) is displayed on Group display according to the suffix code and optional suffix code. "n" denotes the position of the terminal area. (n = 1 to 4)

Contact Output for Control

Parameter symbol	Name	Display level	Setting range	Menu symbol
OR.D	OUT relay contact type	PRO	0: When the event of assigned function occurs, the contact output is closed. 1: When the event of assigned function occurs, the contact output is opened.	ALM Set
OR2.D	OUT2 relay contact type	PRO		

Note1: Nothing is displayed on Group display when each parameter is displayed.

Note2: OR.D and OR2.D can be used as status output when they are not used as control output.
OR2.D can be used for Heating/cooling type.

- ▶ Terminal arrangement: 17.4 Wiring
- ▶ Contact type of Heater break alarm output: 11.7 Setting Heater Break Alarm

For models with the /MDL option, configure using the LL50A Parameter Setting Software (sold separately) or through communication.

13.1 Setting Display Functions

13.1.1 Setting Active Color PV Display Function

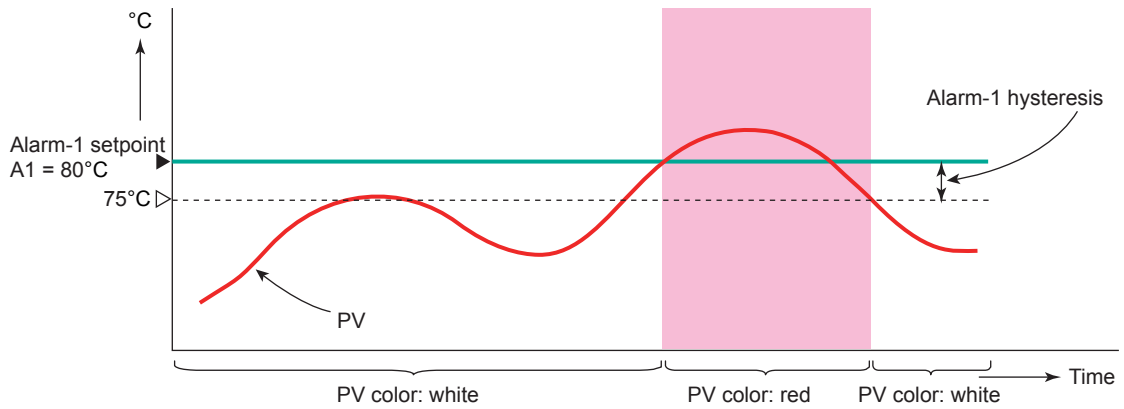
The active color PV display function changes the PV display color when an event occurs. The section does not apply to models with the /MDL option.

Description

Link to Alarm

The PV display color changes by linking to the alarm 1 or alarm 2.

The following is an example of operation linking to alarm 1. Set the alarm-1 type to "PV high limit alarm" and alarm-1 setpoint to "80°C." When the active color PV display switch is set to "2," PV display color changes from white to red if PV exceeds the alarm-1 setpoint. The red-to-white switching action can be set.

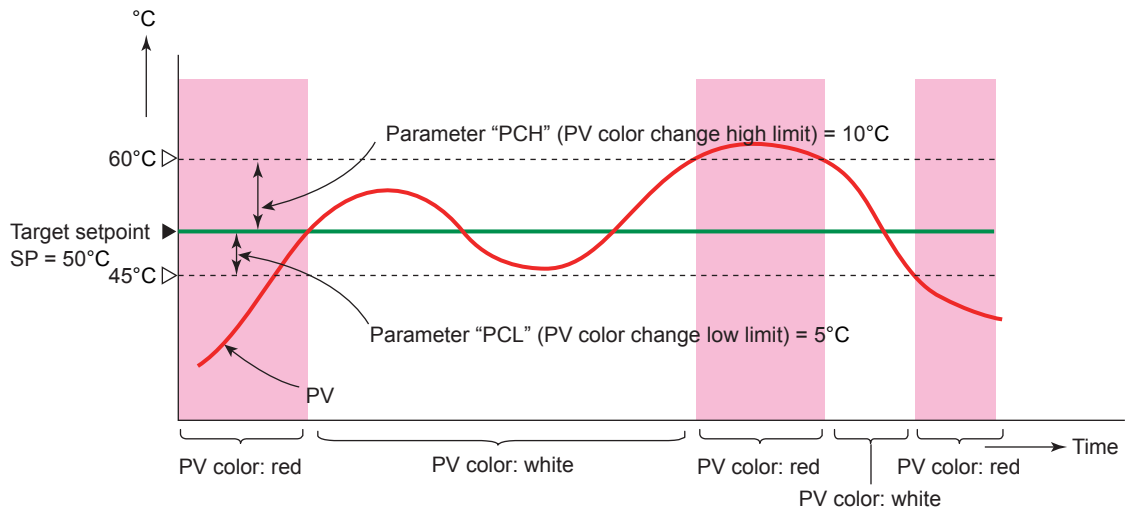


Change by Deviation

The PV display color changes by deviation (PV – SP).

Set the PV color change high limit to "10°C" and the PV color change low limit to "5°C" as deviation band for the current target setpoint "50°C." PV display color changes from white to red if PV is out of the deviation.

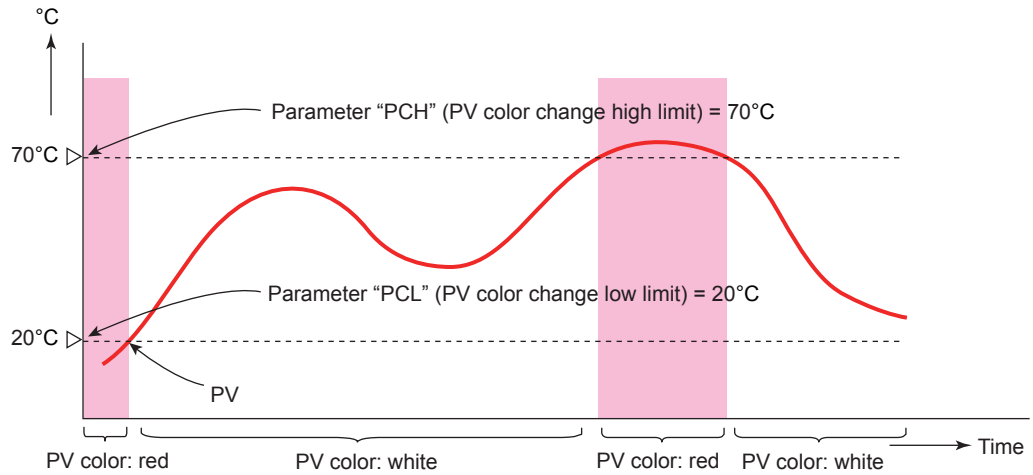
The red-to-white switching action can be set. There is no hysteresis.



Link to PV

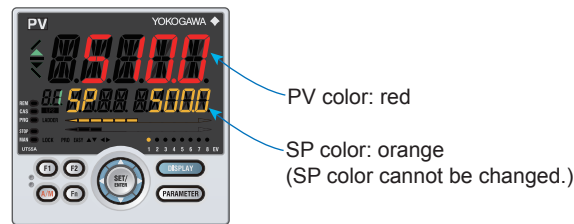
The PV display color changes by linking to PV.

Set the PV color change high limit to “70°C” and the PV color change low limit to “20°C.”
 PV display color changes from white to red if PV is out of the range.
 The red-to-white switching action can be set. There is no hysteresis.



Use in Fixed Color

PV display color can be fixed in red. It can also be fixed in white.



Link to DI

The PV display color changes by linking to DI (ON/OFF).

The following is an example for changing the display color by a state of DI1.
 Set the parameter PCMD=10, and PVRW=5025.
 PV display color is red when DI1=ON, and is white when DI1=OFF.

PVRW: PV red/white switch (Menu: DI.SL)

Setting Details

Parameter symbol	Name	Display level	Setting range	Menu symbol
PCMD	Active color PV display switch	EASY	0: Fixed in white 1: Fixed in red 2: Link to alarm 1 (Alarm OFF: white, Alarm ON: red) 3: Link to alarm 1 (Alarm OFF: red, Alarm ON: white) 4: Link to alarm 1 or 2 (Alarm OFF: white, Alarm ON: red) 5: Link to alarm 1 or 2 (Alarm OFF: red, Alarm ON: white) 6: PV limit (Within range: white, Out of range: red) 7: PV limit (Within range: red, Out of range: white) 8: SP deviation (Within deviation: white, Out of deviation: red) 9: SP deviation (Within deviation: red, Out of deviation: white) 10: Link to DI (ON: red, OFF: white)	DISP Set
PCH	PV color change high limit	EASY	Set a display value when in PV limit or SP deviation.	
PCL	PV color change low limit	EASY	-19999 to 30000 (Set a value within the input range.) Decimal point position depends on the input type.	

Note1: In Cascade control, the LP2 lamp is lit while the Loop-2 parameter is displayed.

13.1 Setting Display Functions

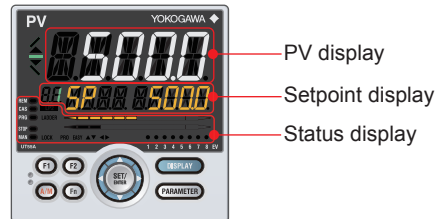
13.1.2 Masking Arbitrary Display Value in Operation Display

Description

Display/non-display of the PV display, Setpoint display, and Status display in the Operation Display can be set.

Items that you do not want to display can be set to non-display. For example, when the Setpoint display is set to non-display, SP of the SP Display and OUT of the OUT Display are not displayed.

When an error at power-on or hardware malfunction error occurs, Operation display cannot be set to non-display.



The section does not apply to models with the /MDL option.

Setting Details

Parameter symbol	Name	Display level	Setting range	Menu symbol
PV.D	PV display area ON/OFF	PRO	OFF: Nondisplay ON: Display	DISP Set
SP.D	Setpoint display area ON/OFF	PRO		
STS.D	Status display area ON/OFF	PRO		

13.1.3 Registering SELECT Display (Up to 5 Displays)

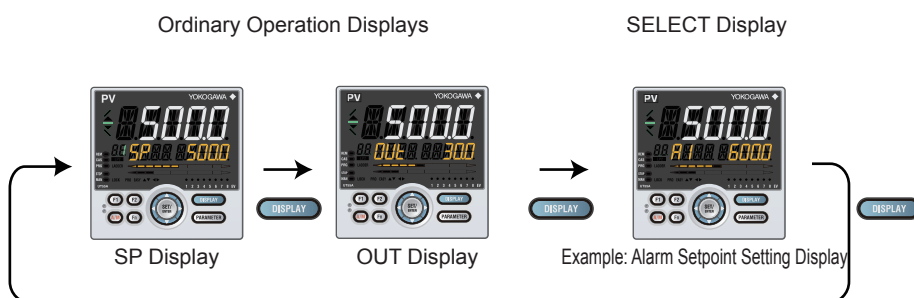
Description

Registering frequently changed-operation parameters (except for the operation mode) in the SELECT Display of the Operation Displays will allow you to change parameter settings easily. A maximum of five Displays can be registered.

Set the D register number of the parameter you wish to register for the registration to the SELECT Display.

However, the parameters in the following menu cannot be set:
 CTL, PV, RSP, AIN2, AIN4, MPV, OUT, HBA, R485, ETHR, DNET, PROF, DNET, CC-L, KEY, DISP, CSEL, KLOC, MLOC, DI.SL, DI.NU, DI.D, ALM, DO, I/O, SYS, INIT, VER, and LVL.

When each parameter is displayed, the terminal area (E1 to E4) is displayed on Group display according to the suffix code and optional suffix code.



The section does not apply to models with the /MDL option.

Setting Details

Parameter symbol	Name	Display level	Setting range	Menu symbol
CS1 to CS5	SELECT Display-1 to -5 registration	STD	OFF: No registration D register number (2301 to 5000, 6701 to 6710)	CSEL Set

For D register numbers, see sections 6.4.3 to 6.4.6 and 6.4.8 in the UTAdvanced Series Communication Interface User's Manual.

D Resistor Number	Category	Description	Reference in Communication Interface User's Manual
2501 to 2700	Loop-1 Operation Parameters	SP and alarm setpoint setting	Section 6.4.3
2701 to 2800		SP-related settings	
2801 to 2900		Alarm function settings	
2901 to 3000		PV-related settings	
3001 to 3500		PID settings	
3501 to 3600		Control action-related settings	
3601 to 3800	Loop-2 Operation Parameters	SP and alarm setpoint setting	Section 6.4.4
3801 to 3900		SP-related settings	
3901 to 4000		Alarm function settings	
4001 to 4100		PV-related settings	
4101 to 4600		PID settings	
4601 to 4700		Control action-related settings	
4701 to 4800	P Parameters	P parameters	Section 6.4.5
4801 to 5000	10-segment Linearizer Setting Parameters	10-segment linearizer settings	Section 6.4.6
6701 to 6710	T Parameters	T parameters	Section 6.4.8

13.1.4 Changing Event Display

Description

The UT55A has eight event (EV) lamps. The UT52A has four event (EV) lamps. The default values are assigned to EV1 to EV8 lamps on the front of the controller according to each control mode. The alarms 1 to 8 are assigned to EV1 to EV8 in the control modes other than Cascade control. The alarms 1 to 8 are assigned to EV1 to EV 8 of Loop1, and the Loop-2 alarms 1 to 8 are assigned to EV1 to EV8 of Loop 2 (the LP2 lamp is lit) in Cascade control. Loop-2 EV lamps are lit when the control mode is cascade and the operation mode is automatic or manual. The section does not apply to models with the /MDL option.

Setting Details

Parameter symbol	Name	Display level	Setting range	Menu symbol
EV1 to EV8	EV1 to EV8 display condition registration	PRO	Setting range: 4001 to 6304 OFF: Disable 4321: Link to alarm 1 (Lit when the alarm occurs) 4322: Link to alarm 2 (Lit when the alarm occurs) 4323: Link to alarm 3 (Lit when the alarm occurs) 4325: Link to alarm 4 (Lit when the alarm occurs) 4326: Link to alarm 5 (Lit when the alarm occurs) 4327: Link to alarm 6 (Lit when the alarm occurs) 4329: Link to alarm 7 (Lit when the alarm occurs) 4330: Link to alarm 8 (Lit when the alarm occurs) 4337: Link to Loop-2 alarm 1 (Lit when the alarm occurs) 4338: Link to Loop-2 alarm 2 (Lit when the alarm occurs) 4339: Link to Loop-2 alarm 3 (Lit when the alarm occurs) 4341: Link to Loop-2 alarm 4 (Lit when the alarm occurs) 4342: Link to Loop-2 alarm 5 (Lit when the alarm occurs) 4343: Link to Loop-2 alarm 6 (Lit when the alarm occurs) 4345: Link to Loop-2 alarm 7 (Lit when the alarm occurs) 4346: Link to Loop-2 alarm 8 (Lit when the alarm occurs) 4529: Heater break alarm 1 (Lit when the alarm occurs) 4530: Heater break alarm 2 (Lit when the alarm occurs) 5025 to 5027: Link to DI1-DI3 (Lit when the contact is closed) 5041 to 5046: Link to DI11-DI16 (E1-terminal area) (Lit when the contact is closed) 5057 to 5062: Link to DI21-DI26 (E2-terminal area) (Lit when the contact is closed) 5073 to 5077: Link to DI31-DI35 (E3-terminal area) (Lit when the contact is closed) 5089 to 5094: Link to DI41-DI46 (E4-terminal area) (Lit when the contact is closed) 5153 to 5155: Link to AL1-AL3 (Lit when the contact is closed) 5169 to 5173: Link to DO11-DO15 (E1-terminal area) (Lit when the contact is closed) 5185 to 5189: Link to DO21-DO25 (E2-terminal area) (Lit when the contact is closed) 5201 to 5205: Link to DO31-DO35 (E3-terminal area) (Lit when the contact is closed) 5217 to 5221: Link to DO41-DO45 (E3-terminal area) (Lit when the contact is closed) For other functions, see the UTAdvanced Series Communication Interface User's Manual.	DISP Set

Note1: In Cascade control, the LP2 lamp is lit while the Loop-2 parameter is displayed.

Relay Number	Description	Reference in Communication Interface User's Manual
4001 to 4064	System error	Section 7.3.1
4065 to 4128	Input error	
4129 to 4192	Free area	
4193 to 4256	Operation mode	
4257 to 4320	Free area	
4321 to 4384	Alarm	
4385 to 4528	Alarm latch	
4529 to 4576	Heater break alarm	
4577 to 4640	SP number and PID number	
4641 to 4704	Free area	
4705 to 4768	Key	
4769 to 4832	Display	
4833 to 5024	Free area	
5025 to 5152	Input relay	
5153 to 5280	Output relay	
5281 to 5408	Control computation output	
5409 to 5472	Special relay	
5473 to 5536	Free area	
5537 to 5792	Internal relay	
5793 to 6048	Free area	Section 7.3.3
6305 to 6432	DI terminals	
6433 to 6560	DO terminals	

13.1.5 Registering SELECT Parameter Display (Up to 10 Displays)

Description

Registering frequently changed operation parameters (change frequency is lower than SELECT Display) in the SELECT Parameter Display will allow you to change parameter settings easily. A maximum of ten Displays can be registered.

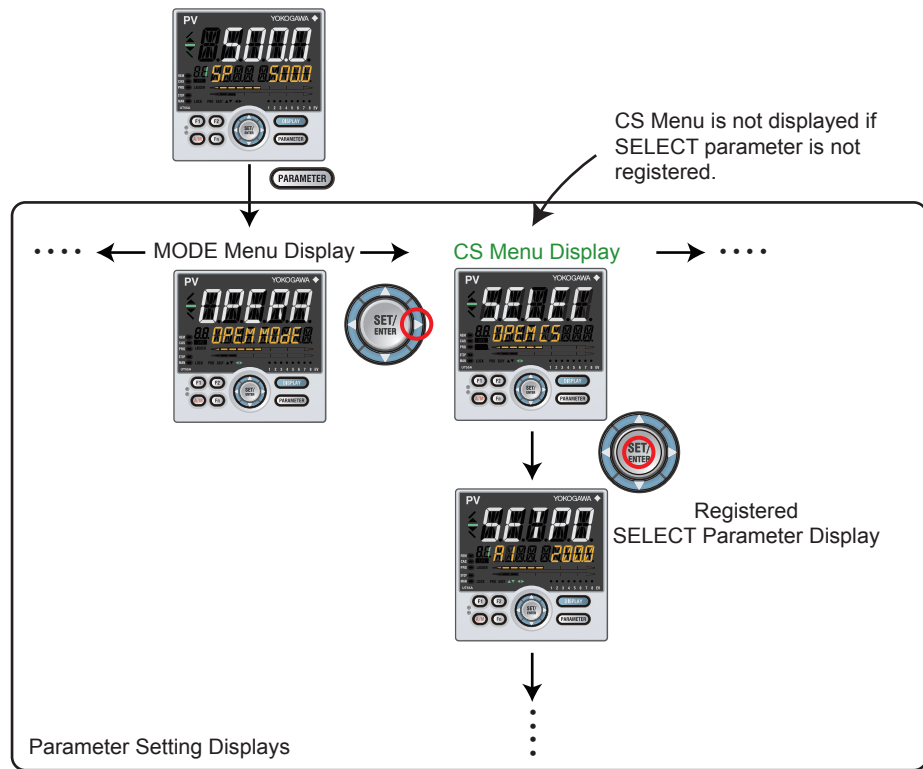
Set the D register number of the parameter you wish to register for the registration to the SELECT Parameter Display.

However, the parameters in the following menus cannot be set:

CTL, PV, RSP, AIN2, AIN4, MPV, OUT, HBA, R485, ETHR, PROF, DNET, CC-L, KEY, DISP, CSEL, KLOC, MLOC, DI.SL, DI.NU, DI.D, ALM, DO, I/O, SYS, INIT, VER, and LVL.

When each parameter is displayed, the terminal area (E1 to E4) is displayed on Group display according to the suffix code and optional suffix code.

Ordinary Operation Display



The section does not apply to models with the /MDL option.

Setting Details

Parameter symbol	Name	Display level	Setting range	Menu symbol
CS10 to CS19	SELECT parameter-10 to -19 registration	PRO	OFF: No registration D register number (2301 to 5000)	CSEL Set

For D register numbers, see sections 6.4.3 to 6.4.6 of UTAdvanced Series Communication Interface User's Manual.

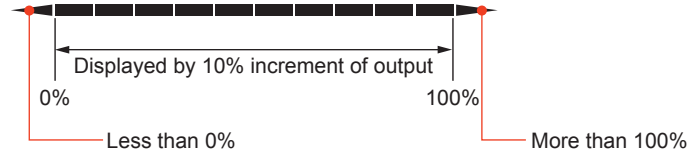
D Resistor Number	Category	Description	Reference in Communication Interface User's Manual
2501 to 2700	Loop-1 Operation Parameters	SPs and alarm setpoints setting	Section 6.4.3
2701 to 2800		SP-related settings	
2801 to 2900		Alarm function settings	
2901 to 3000		PV-related settings	
3001 to 3500		PID settings	
3501 to 3600		Control action-related settings	
3601 to 3800	Loop-2 Operation Parameters	SPs and alarm setpoints setting	Section 6.4.4
3801 to 3900		SP-related settings	
3901 to 4000		Alarm function settings	
4001 to 4100		PV-related settings	
4101 to 4600		PID settings	
4601 to 4700	Control action-related settings		
4701 to 4800	P Parameters	P parameters	Section 6.4.5
4801 to 5000	10-segment Linearizer Setting Parameters	10-segment linearizer settings	Section 6.4.6

13.1.6 Setting Bar-graph Display Function

Description

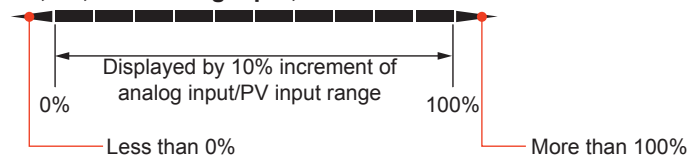
The upper and lower bar-graph displays are provided on the front of the controller. PV or OUT can be displayed. Data which can be displayed on Bar-graph display are as follows. The section does not apply to models with the /MDL option.

OUT, Output



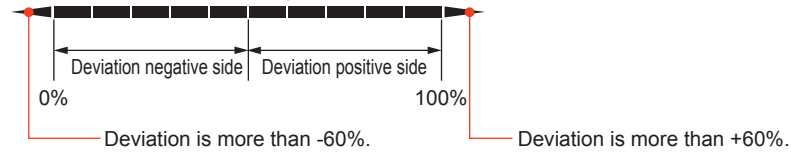
For relay, OFF is equivalent to 0% and ON is equivalent to 100%.

PV, SP, and Analog Input, TSP



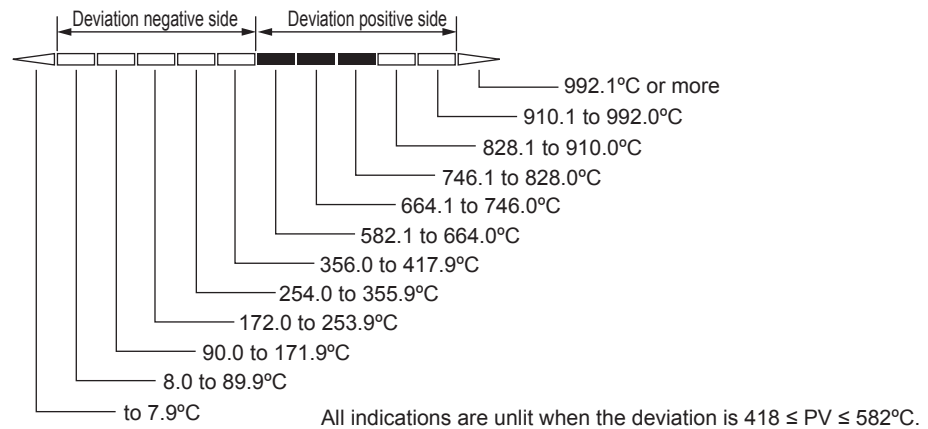
Deviation

When the deviation display band (BDV) is 10%:

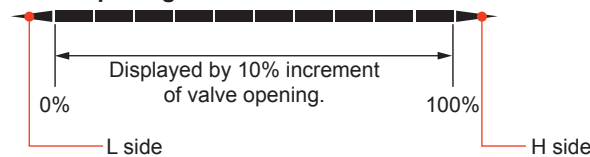


Deviation negative side and deviation positive side are displayed by 10% increment of deviation. Indication is unlit when $SP - (\text{deviation display band (BDV)}) \leq PV \leq SP + (\text{deviation display band (BDV)})$. Indication is unlit when $TSP - (\text{deviation display band (BDV)}) \leq PV \leq TSP + (\text{deviation display band (BDV)})$.

IN = TC Type K -270.0 to 1370.0°C
 BDV = 82°C (5%), SP = 500.0°C, PV = 800.0°C



Valve Opening



Setting Details

Parameter symbol	Name	Display level	Setting range	Menu symbol
BAR1	Upper bar-graph display registration	STD	0: Disable 1:OUT, Heating-side OUT, Internal value in Position proportional control 2: Cooling-side OUT 3: PV 4: SP 5: Deviation 6: Loop-2 OUT, Loop-2 heating-side OUT 7: Loop-2 cooling-side OUT 8: Loop-2 PV 9: Loop-2 SP 10: Loop-2 deviation 11 to 16: Disable 17: Feedback input (valve opening) 18: PV terminals analog input 19: RSP terminals analog input 20: AIN2 terminals analog input 21: AIN4 terminals analog input 27: TSP 28: TSP deviation 29: Loop-2 TSP 30: Loop-2 TSP deviation	DISP Set
BAR2	Lower bar-graph display registration	STD		
BDV	Bar-graph deviation display band	STD		

Note1: The bar-graph deviation display band (BDV) is enabled when the deviation is set to the BAR1 or BAR2.

Note2: In Cascade control, the LP2 lamp is lit while the Loop-2 parameter is displayed.

13.1.7 Masking Least Significant Digit of PV Display

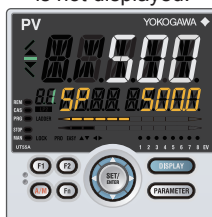
Description

With and without least significant digit of the PV in the Operation Display can be set. If the least significant digit is set to none, the value in the least significant can be truncated or rounded. The internal value is not changed depending on whether with or without least significant digit (the value is for display only). This parameter does not function for the PV without decimal point.

Least significant digit is displayed.



Least significant digit is not displayed.



The following shows the example of with and without least significant digit

PV display		
With least significant digit	Without least significant digit	
	Rounding	Rounding-off
1499.9	1499	1500
1500.4	1500	1500
1999.9	1999	2000
2000.4	2000	2000
3000.0	3000	3000
3000.9	3000	3001
3001.0	3001	3001

Setting Details

Parameter symbol	Name	Display level	Setting range	Menu symbol
MLSD	Least significant digital mask of PV display	STD	OFF: With least significant digit ON: Without least significant digit	DISP Set
MKTP	Method for least significant digital mask of PV display	STD	0: Rounding 1: Rounding-off	DISP Set

13.1.8 Changing Deviation Display Lamp Action

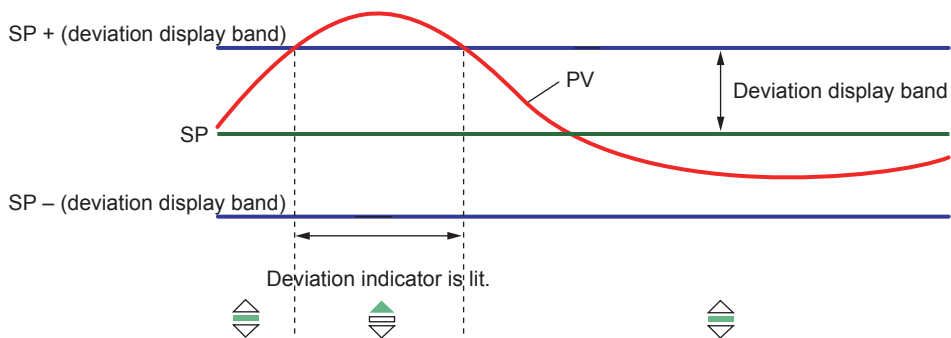
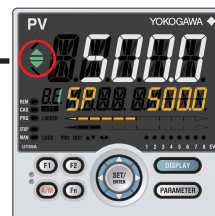
Description

The deviation display shows the condition of (PV – SP).
The deviation display is only for the UT55A.

Lit when exceeding SP + (deviation display band).

Lit when within (Deviation display band).

Lit when exceeding SP – (deviation display band).



The section does not apply to models with the /MDL option.

Setting Details

Parameter symbol	Name	Display level	Setting range	Menu symbol
DVB	Deviation display band	STD	0.0 to 100.0% of PV input range span (EUS).	DISP Set

Note1: In Cascade control, the LP2 lamp is lit while the Loop-2 parameter is displayed.

13.1.9 Setting Economy Mode

Description

The LCD backlight ON/OFF can be set in the following methods.
Setting the LCD backlight to OFF saves energy.

User Function Keys

The LCD backlight ON/OFF switch can be assigned to the user function key.

- ▶ [User function key: 13.2 Assigning Function to User Function Key and A/M Key](#)

Backlight OFF timer

The backlight OFF timer sets the economy mode parameter to ON.

If no keys are pressed for 30 minutes, the LCD backlight goes off automatically.

The backlight OFF can be set to turn off the backlight for the whole display or a display other than the PV display.

To turn on the LCD backlight, press any key.

Contact Input

The LCD backlight ON/OFF switch can be assigned to the contact input

- ▶ [Contact input: 12.1 Setting Contact Input Function](#)

In the following cases, the LCD backlight does not go off.

- when an alarm occurs
- When an error at power-on or a hardware malfunction error occurs

The section does not apply to models with the /MDL option.

Setting Details

Parameter symbol	Name	Display level	Setting range	Menu symbol
ECO	Economy mode	STD	OFF: Disable 1: Economy mode ON (All indications except PV display OFF) 2: Economy mode ON (All indications OFF) 3: Brightness 10 % (all indications)	DISP Set

13.1.10 Selecting the Initial Operation Display that Appears at Power ON

Description

The initial Operation Display that appears when the power is turned on can be set. The section does not apply to models with the /MDL option.

Setting Details

Parameter symbol	Name	Display level	Setting range	Menu symbol
HOME	Home Operation Display setting	PRO	SP1: SP Display SP2: Loop-2 SP Display OUT1: OUT Display OUT2: Loop-2 OUT Display HCO: Heating/cooling OUT Display VP: Valve Position Display MV: Position Proportional Computation Output Display PID1: PID Number Display PID2: Loop-2 PID Number Display HC1: Heater Break Alarm-1 Current Display HC2: Heater Break Alarm-2 Current Display PV1: PV2/PV1 Display PV2: PV1/PV2 Display PV: PV Analog Input Display RSP: RSP Analog Input Display AIN2: AIN2 Analog Input Display AIN4: AIN4 Analog Input Display CS1 to CS5: SELECT Display 1 to 5	DISP Set

13.1 Setting Display Functions

13.1.11 Setting Message Function

Description

Using the message function and turning the contact input on/off, the message registered beforehand can be displayed on PV display by interrupt.

The message is registered using LL50A Parameter Setting Software.

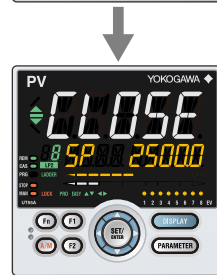
The messages are limited to 20 alphanumeric characters. A maximum of four messages can be registered.

If a number of messages occur simultaneously, the priority is as follows:

(high) MG1>MG2>MG3>MG4 (low)

- ▶ [Message registration: LL50A Parameter Setting Software User's Manual](#)
- ▶ [Registration of contact input: 12.1.1 Setting Contact Input Function](#)
- ▶ [Registration symbols: 3.3 List of Display Symbols](#)

Operation Display



CLOSE VALVE

When the contact input is turned on, the scrolling message registered beforehand is displayed on PV Display.

The section does not apply to models with the /MDL option.

13.1.12 Switching Guide Display Language

Description

The guide display language that appears when the parameter or the menu is displayed can be switched.

The section does not apply to models with the /MDL option.

Setting Details


Parameter symbol	Name	Display level	Setting range	Menu symbol
LANG	Guide display language	EASY	ENG: English FRA: French GER: German SPA: Spanish	SYS Set

13.1.13 Changing Guide Scroll Speed

Description

The scroll speed can be changed when the guide for the parameter or menu is displayed. The section does not apply to models with the /MDL option.

Setting Details

Parameter symbol	Name	Display level	Setting range	Menu symbol
SPD	Scroll speed	PRO	(Slow) 1 to 8 (Quick)	DISP 

13.1.14 Turning Guide Display ON/OFF


Description

The guide display that appears when the parameter or the menu is displayed can be switched.

The guide display can be turned on and off by the Fn key in the Menu Display and Parameter Setting Display.

The section does not apply to models with the /MDL option.

Setting Details

Parameter symbol	Name	Display level	Setting range	Menu symbol
GUID	Guide display ON/OFF	STD	OFF: Nondisplay ON: Display	DISP 


13.1.15 Setting Automatic Return to Operation Display

Description

The Display will automatically revert to the Operation Display if no keys are pressed for 5 minutes in Menu Display or Parameter Setting Display.

The section does not apply to models with the /MDL option.

Setting Details

Parameter symbol	Name	Display level	Setting range	Menu symbol
OP.JP	Automatic return to Operation Display	PRO	ON: Automatically returned to the Operation Display. OFF: Not automatically returned to the Operation Display.	DISP 

13.1.16 Setting Brightness and Contrast Adjustment of LCD and Display Update Cycle

Description

The brightness and contrast for PV, Setpoint, Bar-graph, and Status indicator can be adjusted.
 Brightness ranges for each display can be set.
 The LCD has a characteristic that the display action becomes late at the low temperature. This can be solved by adjusting the display update cycle (D.CYC).
 The section does not apply to models with the /MDL option.

Setting Details

Parameter symbol	Name	Display level	Setting range	Menu symbol
BRI	Brightness	EASY	(Dark) 1 to 5 (Bright)	DISP Set
B.PVW	White brightness adjustment of PV display	PRO	Adjusts the white brightness of PV display. (Dark) -4 to 4 (Bright)	
B.PVR	Red brightness adjustment of PV display	PRO	Adjusts the red brightness of PV display. (Dark) -4 to 4 (Bright)	
B.SP	Brightness adjustment of Setpoint display	PRO	Adjusts the brightness of SP display. (Dark) -4 to 4 (Bright)	
B.BAR	Brightness adjustment of Bar-graph display	PRO	Adjusts the brightness of SP display. (Dark) -4 to 4 (Bright)	
B.STS	Brightness adjustment of Status indicator	PRO	Adjusts the brightness of Status indicator. (Dark) -4 to 4 (Bright)	
D.CYC	Display update cycle	PRO	1: 100 ms 2: 200 ms 3: 500 ms 4: 1 s 5: 2 s	

13.2 Assigning Function to User Function Key and A/M Key

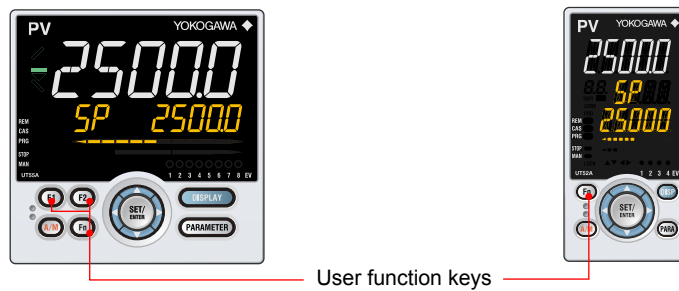
Description

The UT55A has three user function keys on the front panel. The UT52A has one user function key.

Various functions (operation mode switch etc.) can be assigned to the user function key. Press the user function key to perform the assigned function.

The User function key is available only on the Operation Display.


The assigned function does not work on the Parameter Setting Display. However, the Fn key can be used to turn on/off the guide display.



The section does not apply to models with the /MDL option.

13.2 Assigning Function to User Function Key and A/M Key

Setting Details

Parameter symbol	Name	Display level	Setting range	Menu symbol
F1 to Fn	User function key action setting	EASY	See the table below	KEY 
A/M	A/M key action setting	PRO		

Setpoint	Function	Action	Availability (Note 1)			
			F1	F2	Fn	A/M
OFF	Unassigned	–	√	√	√	√
A/M	AUTO/MAN switch	AUTO and MAN switches every time the user function key is pressed.	√	√	√	√√ (Note 2)
C/A/M	CAS/AUTO/MAN switch	MAN→AUTO→Cascade is repeated every time the user function key is pressed.	√	√	√	√√ (Note 2)
R/L1	REM/LCL switch	Remote and Local switches every time the user function key is pressed.	√	√	√	√
R/L2	Loop-2 REM/LCL switch	Remote and Local of Loop 2 switches every time the user function key is pressed.	√	√	√	√
S/R	STOP/RUN switch	STOP and START switches every time the user function key is pressed. (Note 3)	√	√	√	√
CAS	Switch to CAS	Pressing the user function key switches to Cascade.	√	√	√	√
AUTO	Switch to AUTO	Pressing the user function key switches to AUTO.	√	√	√	√
MAN	Switch to MAN	Pressing the user function key switches to MAN.	√	√	√	√
REM1	Switch to REM	Pressing the user function key switches to Remote.	√	√	√	–
LCL1	Switch to LCL	Pressing the user function key switches to Local.	√	√	√	–
REM2	Switch to Loop-2 REM	Pressing the user function key switches to Loop-2 Remote.	√	√	√	–
LCL2	Switch to Loop-2 LCL	Pressing the user function key switches to Loop-2 Local.	√	√	√	–
STOP	Switch to STOP	Pressing the user function key stops the operation.	√	√	√	–
RUN	Switch to RUN	Pressing the user function key starts the operation.	√	√	√	–
AT	Auto-tuning	Pressing the user function key executes auto-tuning	√	√	√	–
LTUP	LCD brightness UP	The current brightness gradually increases every time the function key is pressed.	√	√	√	–
LTDN	LCD brightness DOWN	The current brightness gradually decreases every time the function key is pressed.	√	√	√	–
BRI	Adjust LCD brightness	The current brightness gradually increases every time the function key is pressed. Pressing the function key after reaching the maximum brightness changes to the minimum brightness. Thereafter, minimum brightness→maximum brightness→maximum brightness is repeated.	√	√	√	–
LCD	LCD Backlight ON/OFF switch	The LCD backlight turns on and off every time the user function key is pressed.	√	√	√	–

13.2 Assigning Function to User Function Key and A/M Key

(Continued)

Setpoint	Function	Action	Availability (Note 1)			
			F1	F2	Fn	A/M
LAT	Latch release	Latch 1 to latch 4 are released every time the user function key is pressed.	√	√	√	–
PID	PID Tuning switch	Pressing the function key during operation displays the first parameter (proportional band) of the currently selected PID parameter group and enables the setting to be changed. As with the operation to change the parameter setpoint, the sequence is P→I→D→...→P→... Pressing the function key again, or pressing the DISPLAY key or DISP key returns to the initial Operation Display. The PARAMETER key or PARA key does not switch to the Menu Display.	√	√	√√	–

Note 1: √ indicates available, – indicates unavailable, and √√ indicates initial value.

Note 2: The initial value of the A/M key is CAS/AUTO/MAN switch when the control mode (CTLM) is Cascade control, and AUTO/MAN switch when CTLM is other than Cascade control.

Note 3: When the STOP/RUN switch is set to the contact input, the setpoint S/R does not work for the user function key. Disable the setting if the STOP/RUN switch parameter (S/R) is assigned to the contact input.

Status of user function key

The status of the user function key can be identified by communication.

“1” can be read while the user function key is held down, and “0” can be read when the user function key is released. (Initial value: 0)

► [Reading via communication: UTAdvanced Series Communication Interface User's Manual](#)

Fn key operation in the Parameter Setting Display

In the Menu Display and Parameter Setting Display, the guide is displayed on PV display. At this time, use the Fn key to turn on and off the guide display on PV display. A measured input value (PV) is displayed in the ON state.

13.3 Setting Security Functions

13.3.1 Setting or Clearing the Password

Description

The password function can prevent inadvertent changes to the parameter settings. If a password is set, the checking is required when moving to the Setup Parameter Setting Display. When the password is verified, can be changed to the Setup Parameter Setting Display. The parameters in the following menu can be set only when the password is verified.

CTL, PV, RSP, AIN2, AIN4, MPV, OUT, HBA, R485, ETHR, PROF, DNET, CC-L, KEY, DISP, CSEL, KLOC, MLOC, DI.SL, DI.NU, DI.D, ALM, DO, I/O, SYS, INIT, VER, and LVL.

When each parameter is displayed, the terminal area (E1 to E4) is displayed on Group display according to the suffix code and optional suffix code.

Always remember your password when using the password function.

To clear the password, set parameter PASS to "0."

The section does not apply to models with the /MDL option.

Setting Details

Parameter symbol	Name	Display level	Setting range	Menu symbol
PASS	Password setting	EASY	0 (No password) to 65535	SYS Set

13.3.2 Setting Parameter Display Level

Description

Parameter display level can be set according to the setting level.

▶ [Parameter display level: Chapter 18 Parameters](#)

Setting Details

Parameter symbol	Name	Display level	Setting range	Menu symbol
LEVL	Parameter display level	EASY	EASY: Easy setting mode STD: Standard setting mode PRO: Professional setting mode	LVL Set

For models with the /MDL option, configure using the LL50A Parameter Setting Software (sold separately) or through communication.

13.3.3 Locking (Hiding) Parameter Menu Display

Description

The parameter menu display lock function hides the following Parameter Menu Displays. The section does not apply to models with the /MDL option.

Setting Details

Parameter symbol	Name	Display level	Setting range	Menu symbol
CTL	[CTL] menu lock	PRO	OFF: Display ON: Nondisplay	MLOC Set
PV	[PV] menu lock	PRO		
RSP	[RSP] menu lock	PRO		
AIN2	[AIN2] menu lock	PRO		
AIN4	[AIN4] menu lock	PRO		
MPV	[MPV] menu lock	PRO		
OUT	[OUT] menu lock	PRO		
HBA	[HBA] menu lock	PRO		
R485	[R485] menu lock	PRO		
ETHR	[ETHR] menu lock	PRO		
PROF	[PROF] menu lock	PRO		
DNET	[DNET] menu lock	PRO		
CC-L	[CC-L] menu lock	PRO		
KEY	[KEY] menu lock	PRO		
DISP	[DISP] menu lock	PRO		
CSEL	[CSEL] menu lock	PRO		
KLOC	[KLOC] menu lock	PRO		
DI.SL	[DI.SL] menu lock	PRO		
DI.NU	[DI.NU] menu lock	PRO		
DI.D	[DI.D] menu lock	PRO		
ALM	[ALM] menu lock	PRO		
DO	[DO] menu lock	PRO		
I/O	[I/O] menu lock	PRO		
SYS	[SYS] menu lock	PRO		
INIT	[INIT] menu lock	PRO		
VER	[VER] menu lock	PRO		
LVL	[LVL] menu lock	PRO		

Note1: When each parameter is displayed, the terminal area (E1 to E4) is displayed on Group display according to the suffix code and optional suffix code.

13.3 Setting Security Functions

(Continued)

Parameter symbol	Name	Display level	Setting range	Menu symbol
MODE	[MODE] menu lock	PRO	OFF: Display ON: Nondisplay	MLOC Set
CS	[CS] menu lock	PRO		
SP	[SP] menu lock	PRO		
SPS	[SPS] menu lock	PRO		
ALRM	[ALRM] menu lock	PRO		
PVS	[PVS] menu lock	PRO		
PID	[PID] menu lock	PRO		
TUNE	[TUNE] menu lock	PRO		
ZONE	[ZONE] menu lock	PRO		
PPAR	[PPAR] menu lock	PRO		
PYS1	[PYS1] menu lock	PRO		
PYS2	[PYS2] menu lock	PRO		
PYS3	[PYS3] menu lock	PRO		
PYS4	[PYS4] menu lock	PRO		

Note 1: When each parameter is displayed, the terminal area (E1 to E4) is displayed on Group display according to the suffix code and optional suffix code.


Note 2: In Cascade control, the LP2 lamp is lit while the Loop-2 parameter is displayed.

13.3.4 Key Lock

Description

The key lock function locks the key on the front panel to prohibit key operation. It can prohibit the operation mode switch or parameter setting change. The section does not apply to models with the /MDL option.

Setting Details

Parameter symbol	Name	Display level	Setting range	Menu symbol
DATA	Front panel parameter data key lock	STD	OFF: Unlock ON: Lock	KLOCK 
A/M	Front panel A/M key lock	STD		


13.3.5 Setting Display/Non-display of Operation Display

Description

Display/non-display of the Operation Display can be set. The section does not apply to models with the /MDL option.

► [Operation Display: Chapter 6 Monitoring and Control of Regular Operations](#)

Setting Details

Parameter symbol	Name	Display level	Setting range	Menu symbol
U.SP	SP Display lock	PRO	OFF: Display ON: Nondisplay	KLOC 
U.OUT	OUT Display lock	PRO		
U.HCO	Heating/cooling OUT Display lock	PRO		
U.VP	Valve Position Display lock	PRO		
U.MV	Position Proportional Computation Output Display lock	PRO		
U.PID	PID Number Display lock	PRO		
U.HC	Heater Break Alarm Current Value Display lock	PRO		
U.PV1	PV2/PV1 Display lock	PRO		
U.PV2	PV1/PV2 Display lock	PRO		
U.PV	PV Analog Input Display lock	PRO		
U.RSP	RSP Analog Input Display lock	PRO		
U.AI2	AIN2 Analog Input Display lock	PRO		
U.AI4	AIN4 Analog Input Display lock	PRO		
U.PVO	PV only Display lock	PRO		

Note1: In Cascade control, the LP2 lamp is lit while the Loop-2 parameter is displayed.

13.3.6 Prohibiting Writing via Communication

Description

Writing data to each register via all communication methods can be permitted or prohibited. However, writing data via light-loader (front) or maintenance port (upper) is possible using LL50A Parameter Setting Software.

Setting Details

Parameter symbol	Name	Display level	Setting range	Menu symbol
COM.W	Communication write enable/disable	STD	OFF: Enable ON: Disable	KLOC Set SYS on models with the /MDL option Set

For models with the /MDL option, configure using the LL50A Parameter Setting Software (sold separately) or through communication.

13.4 Confirmation of Key and I/O Condition and Version

13.4.1 Confirmation of Key and I/O Condition

Description

Can be confirm the Key and I/O condition.

For models with the /MDL option, you can check the I/O status using the LL50A Parameter Setting Software (sold separately) or through communication.

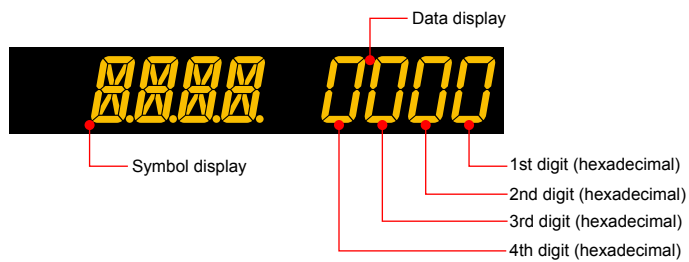
Setting Details

Parameter symbol	Name	Display level	Setting range	Menu symbol
KEY	Key status	PRO	Read only.	I/O Set
X000	DI1-DI3 status (equipped as standard)	PRO		
X100	DI11-DI16 status (E1-terminal area)	PRO		
X200	DI21-DI26 status (E2-terminal area)	PRO		
X300	DI31-DI35 status (E3-terminal area)	PRO		
X400	DI41-DI46 status (E4-terminal area)	PRO		
Y000	AL1-AL3 status (equipped as standard)	PRO		
Y100	DO11-DO15 status (E1-terminal area)	PRO		
Y200	DO21-DO25 status (E2-terminal area)	PRO		
Y300	DO31-DO35 status (E3-terminal area)	PRO		
Y400	DO41-DO45 status (E4-terminal area)	PRO		

Note: When each parameter is displayed, the terminal area (E1 to E4) is displayed on Group display according to the suffix code and optional suffix code.

Key confirmation parameters are displayed in hexadecimal.

When the error occurs, "1" is set on the bit of corresponding error , and the bit data is displayed in hexadecimal.



13.4 Confirmation of Key and I/O Condition and Version

Parameter KEY

Displayed digit	bit	Description
1st digit	0	PARAMETER (or PARA) key (0: OFF, 1: ON)
	1	DISPLAY (or DISP) key (0: OFF, 1: ON)
	2	RIGHT arrow key (0: OFF, 1: ON)
	3	DOWN arrow key (0: OFF, 1: ON)
2nd digit	4	SET/ENTER key (0: OFF, 1: ON)
	5	UP arrow key (0: OFF, 1: ON)
	6	LEFT arrow key (0: OFF, 1: ON)
	7	F2 key (0: OFF, 1: ON)
3rd digit	8	F1 key (0: OFF, 1: ON)
	9	A/M key (0: OFF, 1: ON)
	10	Fn key (0: OFF, 1: ON)
	11	–
4th digit	12	–
	13	–
	14	–
	15	–

Parameter X000

Displayed digit	bit	Description
1st digit	0	DI1 status (0: OFF, 1: ON)
	1	DI2 status (0: OFF, 1: ON)
	2	DI3 status (0: OFF, 1: ON)
	3	–
2nd digit	4	–
	5	–
	6	–
	7	–
3rd digit	8	–
	9	–
	10	–
	11	–
4th digit	12	–
	13	–
	14	–
	15	–

Parameter X100

Displayed digit	bit	Description
1st digit	0	DI11 status (0: OFF, 1: ON)
	1	DI12 status (0: OFF, 1: ON)
	2	DI13 status (0: OFF, 1: ON)
	3	DI14 status (0: OFF, 1: ON)
2nd digit	4	DI15 status (0: OFF, 1: ON)
	5	DI16 status (0: OFF, 1: ON)
	6	–
	7	–
3rd digit	8	–
	9	–
	10	–
	11	–
4th digit	12	–
	13	–
	14	–
	15	–

Parameter X200

Displayed digit	bit	Description
1st digit	0	DI21 status (0: OFF, 1: ON)
	1	DI22 status (0: OFF, 1: ON)
	2	DI23 status (0: OFF, 1: ON)
	3	DI24 status (0: OFF, 1: ON)
2nd digit	4	DI25 status (0: OFF, 1: ON)
	5	DI26 status (0: OFF, 1: ON)
	6	–
	7	–
3rd digit	8	–
	9	–
	10	–
	11	–
4th digit	12	–
	13	–
	14	–
	15	–

Parameter X300

Displayed digit	bit	Description
1st digit	0	DI31 status (0: OFF, 1: ON)
	1	DI32 status (0: OFF, 1: ON)
	2	DI33 status (0: OFF, 1: ON)
	3	DI34 status (0: OFF, 1: ON)
2nd digit	4	DI35 status (0: OFF, 1: ON)
	5	–
	6	–
	7	–
3rd digit	8	–
	9	–
	10	–
	11	–
4th digit	12	–
	13	–
	14	–
	15	–

Parameter X400

Displayed digit	bit	Description
1st digit	0	DI41 status (0: OFF, 1: ON)
	1	DI42 status (0: OFF, 1: ON)
	2	DI43 status (0: OFF, 1: ON)
	3	DI44 status (0: OFF, 1: ON)
2nd digit	4	DI45 status (0: OFF, 1: ON)
	5	DI46 status (0: OFF, 1: ON)
	6	–
	7	–
3rd digit	8	–
	9	–
	10	–
	11	–
4th digit	12	–
	13	–
	14	–
	15	–

13.4 Confirmation of Key and I/O Condition and Version

Parameter Y000

Displayed digit	bit	Description
1st digit	0	AL1 status (0: OFF, 1: ON)
	1	AL2 status (0: OFF, 1: ON)
	2	AL3 status (0: OFF, 1: ON)
	3	–
2nd digit	4	–
	5	–
	6	–
	7	–
3rd digit	8	–
	9	–
	10	–
	11	–
4th digit	12	–
	13	–
	14	–
	15	–

Parameter Y100

Displayed digit	bit	Description
1st digit	0	DO11 status (0: OFF, 1: ON)
	1	DO12 status (0: OFF, 1: ON)
	2	DO13 status (0: OFF, 1: ON)
	3	DO14 status (0: OFF, 1: ON)
2nd digit	4	DO15 status (0: OFF, 1: ON)
	5	–
	6	–
	7	–
3rd digit	8	–
	9	–
	10	–
	11	–
4th digit	12	–
	13	–
	14	–
	15	–

Parameter Y200

Displayed digit	bit	Description
1st digit	0	DO21 status (0: OFF, 1: ON)
	1	DO22 status (0: OFF, 1: ON)
	2	DO23 status (0: OFF, 1: ON)
	3	DO24 status (0: OFF, 1: ON)
2nd digit	4	DO25 status (0: OFF, 1: ON)
	5	–
	6	–
	7	–
3rd digit	8	–
	9	–
	10	–
	11	–
4th digit	12	–
	13	–
	14	–
	15	–

Parameter Y300

Displayed digit	bit	Description
1st digit	0	DO31 status (0: OFF, 1: ON)
	1	DO32 status (0: OFF, 1: ON)
	2	DO33 status (0: OFF, 1: ON)
	3	DO34 status (0: OFF, 1: ON)
2nd digit	4	DO35 status (0: OFF, 1: ON)
	5	–
	6	–
	7	–
3rd digit	8	–
	9	–
	10	–
	11	–
4th digit	12	–
	13	–
	14	–
	15	–

Parameter Y400

Displayed digit	bit	Description
1st digit	0	DO41 status (0: OFF, 1: ON)
	1	DO42 status (0: OFF, 1: ON)
	2	DO43 status (0: OFF, 1: ON)
	3	DO44 status (0: OFF, 1: ON)
2nd digit	4	DO45 status (0: OFF, 1: ON)
	5	–
	6	–
	7	–
3rd digit	8	–
	9	–
	10	–
	11	–
4th digit	12	–
	13	–
	14	–
	15	–

13.4 Confirmation of Key and I/O Condition and Version

13.4.2 Confirmation of Version

Description

Can be confirm the version of the controller.

For models with the /MDL option, you can check the version using the LL50A Parameter Setting Software (sold separately) or through communication.

Setting Details

Parameter symbol	Name	Display level	Setting range	Menu symbol
MCU	MCU version	EASY	Read only.	VER Set
DCU	DCU version	EASY		
ECU1	ECU-1 version	EASY		
ECU2	ECU-2 version	EASY		
ECU3	ECU-3 version	EASY		
ECU4	ECU-4 version	EASY		
PARA	Parameter version	EASY		
H.VER	Product version	EASY		
SER1	Serial number 1	EASY		
SER2	Serial number 2	EASY		
MAC1	MAC address 1	EASY		
MAC2	MAC address 2	EASY		
MAC3	MAC address 3	EASY		

14.1 Initializing Parameter Settings to Factory Default Values

Description

Parameter settings can be initialized to the factory default values. The ladder program is also initialized to the factory default. Use the key or LL50A Parameter Setting Software to execute it.

Note

The user setting values (defaults) are not initialized even if the parameter setting values are initialized to the factory default values.

Setting Details

Parameter symbol	Name	Display level	Setting range	Menu symbol
F.DEF	Initialization to factory default value	PRO	-12345: Initialization, automatically returned to "0" after initialization.	INIT Set

For models with the /MDL option, configure using the LL50A Parameter Setting Software (sold separately) or through communication.

14.2 Registering and Initializing User Default Values

14.2.1 Registering as User Setting (Default) Values

Description

The user default values can be registered as parameter default values.
The ladder program can not be registered as user default values.
Use the LL50A Parameter Setting Software to register user setting (default) values.

CAUTION


Before registering the user default value, make sure that the user setting value is set to the parameter.

14.2.2 Initializing to User Setting (Default) Values

Description

Parameter settings can be initialized to the user setting (default) values.
The ladder program is not initialized to the factory default.
Use the LL50A Parameter Setting Software to execute it.

Setting Details

Parameter symbol	Name	Display level	Setting range	Menu symbol
U.DEF	Initialization to user default value	PRO	12345: Initialization, automatically returned to "0" after initialization.	INIT 

For models with the /MDL option, configure using the LL50A Parameter Setting Software (sold separately) or through communication.

15.1 Remedies if Power Failure Occurs during Operations

Description

The operation status and remedies after a power failure differ with the length of power failure time:

Regardless of the length of power failure time, all functions of the controller cannot be operated for about 10 seconds after recovery. However, the case of instantaneous power failure is excepted.

- 100–240 V AC: Instantaneous power failure of 20 ms or less
- 24 V AC/DC: Instantaneous power failure of 1 ms

A power failure is not detected. Normal operation continues.

- Power failure of about less than 5 seconds

The following shows effects caused in “settings” and “operation status.”

Alarm action	Does not continue. Alarm with stand-by function will enter stand-by status. Alarm latch will be initialized.
Setting parameter	Set contents of each parameter are retained.
Auto-tuning	Cancelled.
Control action	Action before power failure continues.
Timer, counter (ladder program)	Initialized.

- Power failure of about 5 seconds or more

The following shows effects caused in “settings” and “operation status.”

Alarm action	Does not continue. Alarm with stand-by function will enter stand-by status. Alarm latch will be initialized.								
Setting parameter	Set contents of each parameter are retained.								
Auto-tuning	Cancelled.								
Control action	Differs with setting of the parameter “R.MD” (restart mode).								
	<table border="1"> <tr> <td>R.MD setting</td> <td>Control action after recovery from power failure</td> </tr> <tr> <td>CONT</td> <td>Continues action before power failure. (Factory default)</td> </tr> <tr> <td>MAN (*)</td> <td>Outputs the preset output value (PO) of the PID group used as control output and continues action in MAN mode.</td> </tr> <tr> <td>AUTO (*)</td> <td>The control computation is executed in AUTO mode based on the preset output value (PO) of the PID group used as control output.</td> </tr> </table>	R.MD setting	Control action after recovery from power failure	CONT	Continues action before power failure. (Factory default)	MAN (*)	Outputs the preset output value (PO) of the PID group used as control output and continues action in MAN mode.	AUTO (*)	The control computation is executed in AUTO mode based on the preset output value (PO) of the PID group used as control output.
	R.MD setting	Control action after recovery from power failure							
CONT	Continues action before power failure. (Factory default)								
MAN (*)	Outputs the preset output value (PO) of the PID group used as control output and continues action in MAN mode.								
AUTO (*)	The control computation is executed in AUTO mode based on the preset output value (PO) of the PID group used as control output.								
* In Heating/cooling control, starts action from 50% of control computation output.									
Timer, counter (ladder program)	Initialized.								

Setting Details

Parameter symbol	Name	Display level	Setting range	Menu symbol
R.MD	Restart mode	STD	CONT: Continue action set before power failure. MAN: Start from MAN. AUTO: Start from AUTO.	SYS Set

For models with the /MDL option, configure using the LL50A Parameter Setting Software (sold separately) or through communication.

15.2 Power Frequency Setting

Description

The power frequency can be set by automatic detection or manually. However, when the /DC option is specified, only manual setting is available. Set the range to the commercial frequency of the installation location.

Setting Details

Parameter symbol	Name	Display level	Setting range	Menu symbol
FREQ	Power frequency	EASY	AUTO 60: 60 Hz 50: 50 Hz	SYS Set

For models with the /MDL option, configure using the LL50A Parameter Setting Software (sold separately) or through communication.

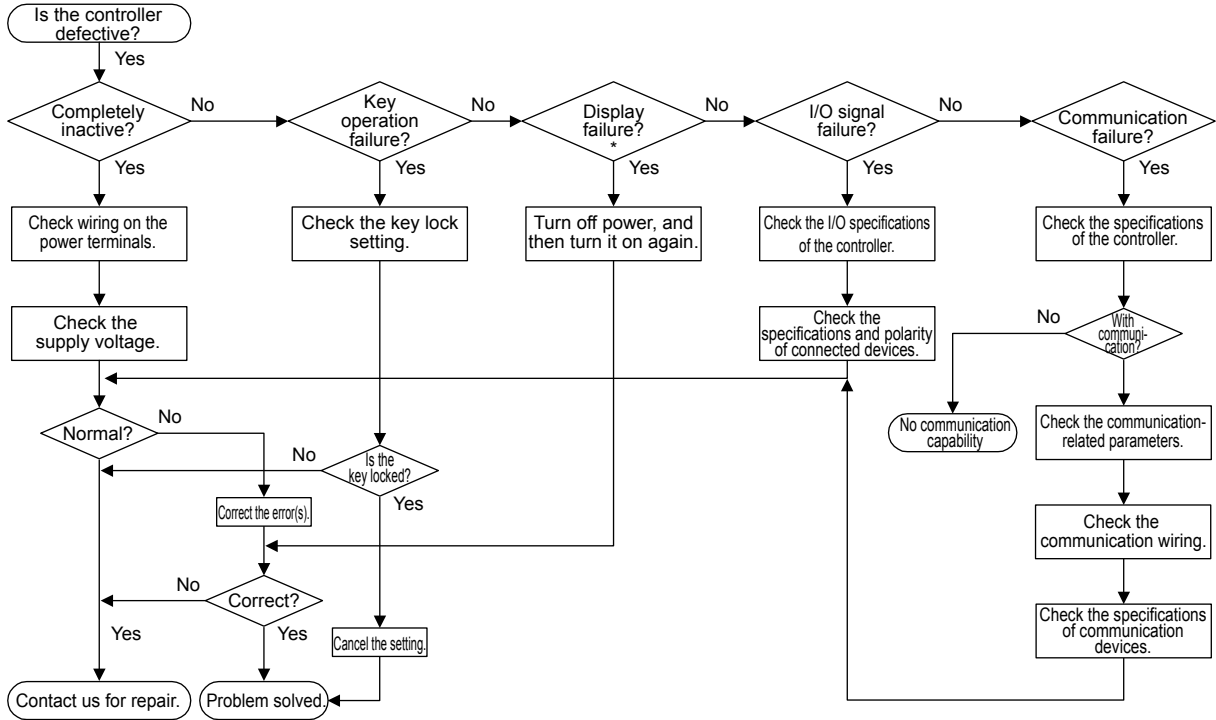
16.1 Troubleshooting

16.1.1 Troubleshooting Flowchart

If the Operation Display does not appear after turning on the controller's power, follow the measures in the procedure below.

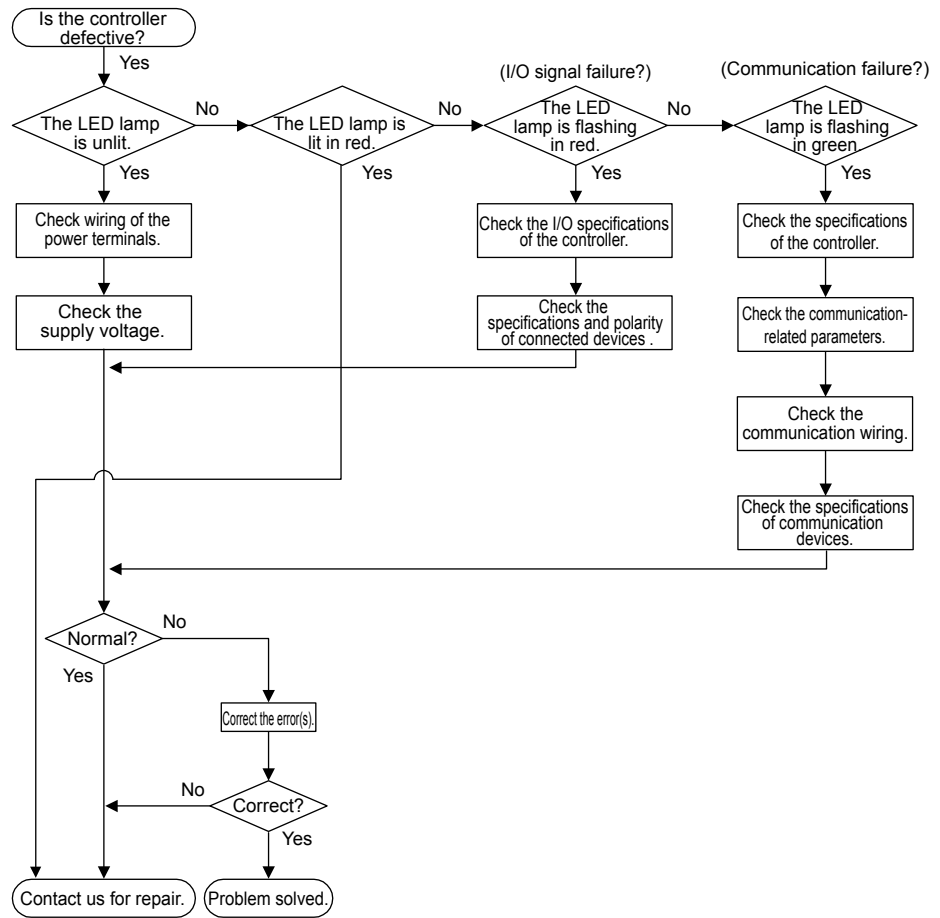
If a problem appears complicated, contact our sales representative.

The following flowchart does not apply to models with the /MDL option.



*: The LCD (a liquid crystal display) is used for a display portion of this product. The LCD has a characteristic that the display action becomes late at the low temperature. Additionally, the luminance and contrast degradation are caused due to aged deterioration. However, the control function is not affected.

The following flowchart applies to models with the /MDL option.



Intentionally blank

16.1.2 Errors at Power On

The errors shown below may occur in the fault diagnosis when the power is turned on.

You can view the details of each error through communication or the LL50A Parameter Setting Software (sold separately). (View on the register monitor.)

For details on each register, see the UTAdvanced Series Communication Interface (RS485, Ethernet) User's Manual (IM 05P07A01-01EN).

PV display (Operation Display)	Setpoint display (Operation Display)	Status indicator (Operation Display)	LED display (Model with /MDL option)	Parameter that displays error details	Register that displays error details (Model with /MDL option)	Error description	Cause and diagnosis	Remedy
Indication off	Indication off	–	Unlit	–	–	Faulty MCU RAM / MCU ROM	MCU RAM / MCU ROM are failed.	Faulty. Contact us for repair.
ERR	SYS -----	–	Red, lit	–	Setup parameter (PA.ER) (Register no.: 2068) Bit 0=1	System data error	System data is corrupted.	Faulty. Contact us for repair.
	PAR 0004 (for user default value error only)			Setup parameter (PA.ER)	Setup parameter (PA.ER) (Register no.: 2068) Bit 2=1	User (parameter) default value error	User parameter is corrupted. Initialized to factory default value.	Check and reconfigure the initialized parameters. Error indication is erased when the power is turned on again.
	PAR 0010 (for setup parameter error only)				Setup parameter (PA.ER) (Register no.: 2068) Bit 4=1	Setup parameter error	Setup parameter data is corrupted. Initialized to factory default value.	
	PAR 0020 (for operation parameter error only)				Setup parameter (PA.ER) (Register no.: 2068) Bit 5=1	Operation parameter error	Operation parameter data is corrupted. Initialized to user default value.	
	PAR 0400				Setup parameter (PA.ER) (Register no.: 2068) Bit 10=1	Control parameter (operation mode, output) error	Control parameter data is corrupted. Initialized to user default value.	
	SLOT 0017 (0017: Error occurs to all hardware of E1 to E4-terminal areas.)			Setup parameter (OP.ER)	Setup parameter (OP.ER) (Register no.: 2070) E1-terminal: Bit 0=1 E2-terminal: Bit 1=1 E3-terminal: Bit 2=1 E4-terminal: Bit 4=1	Non responding hardware of extended function (E1 to E4-terminal areas)	Inconsistence of system data and hardware of extended function. Non responding communication between hardware of extended function (E1 to E4-terminal areas).	Faulty. Contact us for repair.
Normal indication	Normal indication	Rightmost decimal point on PV display blinks.		Setup parameter (PA.ER)	Setup parameter (PA.ER) (Register no.: 2068) Bit 1=1	Calibration value error	Initialized to calibrated default value because of corrupted factory default value.	Faulty. Contact us for repair.
		Right most decimal point on Symbol display blinks.			Setup parameter (PA.ER) (Register no.: 2068) Bit 8=1	Faulty FRAM	Writing (storing) data to FRAM is impossible.	
Normal indication	Normal indication	LADDER lamp blinks.		Setup parameter (LA.ER)	Setup parameter (LA.ER) (Register no.: 2012) Bit 0=1	Corrupted ladder program	Ladder program is corrupted. Operates without ladder program.	Download the ladder program again.
Normal indication	0.000 00000 (Decimal point on the left of the Symbol display blinks)	–	Green, blinks	Setup parameter (OP.ER)	Setup parameter (OP.ER) (Register no.: 2070) Bit 10=1	User profile error	User profile is corrupted.	Download the user profile again.

Errors at Power On (Input/output Action)

Error description	PV input, RSP input, and aux. analog input	Ladder calculation	Control computation	Control output	Retransmission output	Alarm action	Analog output (control output, retransmission output)	Voltage pulse output (control output)	Relay output (control output, position proportional output)	Feedback input (for Position proportional type)	Contact input	Contact (alarm) output	Communication
Faulty MCU RAM Faulty MCU ROM	Undefined	Stopped	Stopped	Undefined	Undefined	Stopped	0% or less	OFF	OFF	Undefined	OFF	OFF	Stopped
System data error	Undefined	Stopped	Stopped	Undefined	Undefined	Stopped	0% or less	OFF	OFF	Undefined	OFF	OFF	Normal action
User (parameter) default value error	Normal action	Normal action	Normal action	Normal action	Normal action	Normal action	Normal action	Normal action	Normal action	Normal action	Normal action	Normal action	Normal action
Setup parameter error													
Operation parameter error													
Control parameter error	Undefined	Normal action	Normal action	Normal action	Normal action	Normal action	Normal action	Normal action	Normal action	Normal action	Normal action	Normal action	Normal action
Non responding hardware of extended function (E1 to E4-terminal areas)													
Calibration value error	Normal action (out of accuracy)	Normal action	Normal action	Normal action	Normal action	Normal action	Normal action (out of accuracy)	Normal action	Normal action	Normal action	Normal action	Normal action	Normal action
Faulty FRAM	Normal action						Normal action						
Corrupted ladder program	Normal action	Normal action (without ladder program)	Normal action	Normal action	Normal action	Normal action	Normal action	Normal action	Normal action	Normal action	Normal action	Normal action	Normal action
User profile error	Normal action	Normal action	Normal action	Normal action	Normal action	Normal action	Normal action	Normal action	Normal action	Normal action	Normal action	Normal action	PROFIBUS-DP/ DeviceNet/CC-Link communication is disabled

16.1.3 Errors during Operation

Errors during Operation (1)

The errors shown below may occur during operation.

You can view the details of each error through communication or the LL50A Parameter Setting Software (sold separately). (View on the register monitor.)

For details on each register, see the UTAdvanced Series Communication Interface (RS485, Ethernet) User's Manual (IM 05P07A01-01EN).

PV display (Operation Display)	Setpoint display (Operation Display)	Status indicator (Operation Display)	LED display (Model with / MDL option)	Parameter that displays error details	Register that displays error details (Model with /MDL option)	Error description	Cause and diagnosis	Remedy
AD.ERR	Normal indication (Note)	–	Red, lit	Setup parameter (AD1.E)	Setup parameter (AD1.E) (Register no.: 2001) PV input: Bit 0=1 RSP input: Bit 1=1 AIN2 input: Bit 2=1 AIN4 input: Bit 4=1	Analog input terminal ADC error • PV input • RSP input (E1-terminal area) • AIN2 input (E2-terminal area) • AIN4 input (E4-terminal area)	Analog input terminal AD value error	Faulty Contact us for repair.
RJC.E (Displays RJC.E and PV alternately.)	Normal indication (Note)	–		Setup parameter (AD1.E)	Setup parameter (AD1.E) (Register no.: 2001) PV input: Bit 5=1 RSP input: Bit 6=1	Universal input terminal RJC error • PV input • RSP input (E1-terminal area)	Universal input terminal RJC error	Faulty Contact us for repair. Set the parameter RJC to OFF to erase error indication.
B.OUT	Normal indication (Note)	–	Red, blinks	Setup parameter (AD1.E)	Setup parameter (AD1.E) (Register no.: 2001) PV input: Bit 8=1 RSP input: Bit 9=1 AIN2 input: Bit 10=1 AIN4 input: Bit 12=1	Analog input terminal burnout error • PV input • RSP input (E1-terminal area) • AIN2 input (E2-terminal area) • AIN4 input (E4-terminal area)	Analog input terminal sensor burnout	Check wiring and sensor. Error indication is erased in normal operation.
				Setup parameter (PV1.E/PV2.E)	Setup parameter Loop-1 (PV1.E) (Register no.: 2002) Bit 0=1 Loop-2 (PV2.E) (Register no.: 2018) Bit 0=1	PV input burnout error (Loop1, Loop2)	Burnout of analog input connected to PV	Check wiring and sensor of connected analog input terminal. Error indication is erased in normal operation.
OVER -OVER	Normal indication	–		Setup parameter (PV1.E/PV2.E)	Setup parameter Loop-1 (PV1.E) (Register no.: 2002) Over-scale: Bit 4=1 Under-scale: Bit 5=1 Loop-2 (PV2.E) (Register no.: 2018) Over-scale: Bit 4=1 Under-scale: Bit 5=1	PV input over-scale PV input under-scale (PV values out of -5 to 105%) (Loop1, Loop 2)	PV input is out of -5 to 105%. Also occurs when the data out of range which is the ladder computation result is input.	Check analog input value or ladder program.
Normal indication	Normal indication	–	Setup parameter (PV1.E/PV2.E)	Setup parameter Loop-1 (PV1.E) (Register no.: 2002) Bit 1=1 Loop-2 (PV2.E) (Register no.: 2018) Bit 1=1	RSP input burnout error (Loop 1, Loop 2)	Burnout of analog input connected to RSP	Check wiring and sensor. Error indication is erased in normal operation.	

Note: When an error occurs in input shown in Analog input display (Operation display).

Setpoint display shows the same symbol as the PV display.

Errors during Operation (Input/output Action)

Error description	PV input, RSP input, and aux. analog input	Ladder calculation	Control computation	Control output	Retransmission output	Alarm action	Analog output (control output, retransmission output)	Voltage pulse output (control output)	Relay output (control output, position proportional output)	Feedback input (for Position proportional type)	Contact input	Contact (alarm) output	Communication
Analog input terminal ADC error • PV input • RSP input (E1-terminal area) • AIN2 input (E2-terminal area) • AIN4 input (E4-terminal area)	105%	Normal action	Normal action	When in AUTO and RUN modes: Error preset output When in MAN mode: MAN output	Normal action	Normal action	Normal action	Normal action	Normal action	Normal action	Normal action	Normal action	Normal action
Universal input terminal RJC error • PV input • RSP input (E1-terminal area)	Normal action (without reference junction compensation)	Normal action	Normal action	Normal action	Normal action	Normal action	Normal action	Normal action	Normal action	Normal action	Normal action	Normal action	Normal action
Analog input terminal burnout error • PV input • RSP input (E1-terminal area) • AIN2 input (E2-terminal area) • AIN4 input (E4-terminal area)	Depends on the parameter BSL. Upscale: 105% Downscale: -5%			Normal action									
PV input burnout error (Loop1, Loop2)	Depends on the setting of the parameter BSL of the analog terminal connected to the PV where the error occurs. Upscale: 105% Downscale: -5%	Normal action	Normal action	When in AUTO and RUN modes: Error preset output When in MAN mode: MAN output	Normal action	Normal action	Normal action	Normal action	Normal action	Normal action	Normal action	Normal action	Normal action
PV input over-scale PV input under-scale (PV values out of -5 to 105%) (Loop1, Loop 2)	Normal action	Normal action	Normal action	Normal action	Normal action	Normal action	Normal action	Normal action	Normal action	Normal action	Normal action	Normal action	Normal action
RSP input burnout error (Loop 1, Loop 2)	Depends on the setting of the parameter BSL of the analog terminal connected to the RSP where the error occurs. Upscale: 105% Downscale: -5%	Normal action	Normal action	Normal action	Normal action	Normal action	Normal action	Normal action	Normal action	Normal action	Normal action	Normal action	Normal action

Errors during Operation (2)

The errors shown below may occur during operation.

PV display (Operation Display)	Setpoint display (Operation Display)	Status indicator (Operation Display)	LED display (Model with /MDL option)	Parameter that displays error details	Register that displays error details (Model with /MDL option)	Error description	Cause and diagnosis	Remedy
Normal indication	RSP B.OUT	–	Red, blinks	Setup parameter (PV1.E/PV2.E)	Setup parameter Loop-1 (PV1.E) (Register no.: 2002) Bit 2=1 Loop-2 (PV2.E) (Register no.: 2018) Bit 2=1	Burnout error when RSP input is used for control (Loop 1, Loop 2)	Burnout error of analog input connected to RSP when RSP is used for control computation	Check wiring and sensor. Error indication is erased in normal operation.
Normal indication	OUT -----	–	–	Setup parameter (AD2.E)	–	Feedback input resistor/current burnout	Feedback input burnout	Check wiring of feedback input resistor/current. Error indication is erased in normal operation.
Normal indication	Normal indication	LADDER lamp blinks	Check the error in LL50A software.	Setup parameter (LA.ER)	Setup parameter (LA.ER) (Register no.: 2012) Overflow: Bit 1=1 Ladder program error: Bit 1=1 Load factor over 100%: Bit 4=1 Load factor over 200%: Bit 5=1	Ladder calculation overflow	Floating point computation in ladder calculation is infinite.	Check the ladder program.
						Load factor over 100%	Computation does not end within the control period (load factor is 100% or more).	Change the control period or reduce the number of steps for the ladder program.
						Load factor over 200%. (Forced end)	Computation does not end within the control period (load factor is 200% or more).	Change the control period or reduce the number of steps for the ladder program.
						Ladder program error	Ladder program is corrupted.	Download the ladder program again. If the error indication is still not erased, there is a fault. Contact us for repair.

Errors during operation (Input/output Action)

Error description	PV input, RSP input, and aux. analog input	Ladder calculation	Control computation	Control output	Retransmission output	Alarm action	Analog output (control output, retransmission output)	Voltage pulse output (control output)	Relay output (control output, position proportional output)	Feedback input (for Position proportional type)	Contact input	Contact (alarm) output	Communication
Burnout error when RSP input is used for control (Loop 1, Loop 2)	Depends on the setting of the parameter BSL of the analog terminal connected to the RSP where the error occurs. Upscale: 105% Downscale: -5%	Normal action	Normal action	When in AUTO and RUN modes: Error preset output When in MAN mode: MAN output	Normal action	Normal action	Normal action	Normal action	Normal action	Normal action	Normal action	Normal action	Normal action
Feedback input resistor/current burnout	Normal action	Normal action	Normal action	Normal action	Normal action	Normal action	Normal action	-	Position proportional output: OFF	105%	Normal action	Normal action	Normal action
Ladder calculation overflow	Normal action	Undefined (calculation with max. value)	Normal action	Normal action	Normal action	Normal action	Normal action	Normal action	Normal action	Normal action	Normal action	Normal action	Normal action
Load factor is over 100%	Normal action	Does not work according to the control period.	Does not work according to the control period.	Does not work according to the control period.	Does not work according to the control period.	Does not work according to the control period.	Normal action	Normal action	Normal action	Normal action	Normal action	Normal action	The response from the main unit slows.
Load factor is over 200%. (Forced termination)	Normal action	Forced end at 200%	Does not work according to the control period.	Does not work according to the control period.	Does not work according to the control period.	Does not work according to the control period.	Normal action	Normal action	Normal action	Normal action	Normal action	Normal action	
Ladder program error	Normal action	Undefined (Stopped at the error detection)	Normal action	Normal action	Normal action	Normal action	Normal action	Normal action	Normal action	Normal action	Normal action	Normal action	Normal action

Errors during Operation (3)

The errors shown below may occur during operation.

PV display (Operation Display)	Setpoint display (Operation Display)	Status indicator (Operation Display)	LED display (Model with /MDL option)	Parameter that displays error details	Register that displays error details (Model with /MDL option)	Error description	Cause and diagnosis	Remedy
Normal indication	0.000 00000 (Decimal point on the left of the Symbol display blinks)	–	Green, blinks	Setup parameter (OP.ER)	Setup parameter (OP.ER) (Register no.: 2070) E1-terminal: Bit 8=1 E3-terminal: Bit 10=1 E4-terminal: Bit 12=1	Peer-to-peer communication error	Peer-to-peer communication error	Check that the target devices are connected correctly. Recovery at normal receipt.
AT,E	Normal indication	–	Check the error in LL50A software.	Setup parameter (PV1.E/PV2.E)	Setup parameter Loop-1 (PV1.E) (Register no.: 2002) Bit 14=1 Loop-2 (PV2.E) (Register no.: 2018) Bit 14=1	Auto-tuning time-out (Loop 1, Loop 2)	Auto-tuning does not end even when 24 hours have elapsed after the start of tuning.	Check the process. Hold down any key to erase the error indication
VAT,E	Normal indication	–	–	Setup parameter (AD2.E)	–	Automatic valve position adjustment error	Fully-closed valve position is equal to or larger than the fully-open valve position after automatic valve position adjustment is performed.	Check wiring and valve. Hold down any key to erase the error indication.
Normal indication	0.000 00000 (Decimal point on the left of the Symbol display blinks)	–	Green, blinks	Setup parameter (OP.ER)	Setup parameter (OP.ER) (Register no.: 2070) E1-terminal: Bit 8=1 E3-terminal: Bit 10=1 E4-terminal: Bit 12=1	Communication error (RS-485 communication)	Framing parity error Buffer overflow Inter-character time-out Checksum error (PC link communication with checksum) CRC check error (Modbus/RTU) LRC check error (Modbus/ASCII)	Check the communication parameters. Recovery at normal receipt. Hold down any key to stop blinking.
Normal indication	0.000 00000 (Decimal point on the left of the Symbol display blinks)	–		Communication error (coordinated operation)		Inconsistence of loop between coordinated master and slaves Communication from coordinated master is interrupted for 2 seconds.	Check the communication parameters. Recovery at normal receipt. Change from remote to local mode to stop blinking. When the mode is changed from remote to local, SP tracking does not work even if it is set to ON.	
Normal indication	0.000 00000 (Decimal point on the left of the Symbol display blinks)	–		User profile error		User profile is corrupted.	Download the user profile again.	
Normal indication	Normal indication	Rightmost decimal point on Symbol display blinks.	Red, lit	Setup parameter (PA.ER)	Setup parameter (PA.ER) (Register no.: 2068) Bit 8=1	Faulty FRAM	Writing (storing) data to FRAM is impossible.	Faulty. Contact us for repair.

Errors during Operation (Input/output Action)

Error description	PV input, RSP input, and aux. analog input	Ladder calculation	Control computation	Control output	Retransmission output	Alarm action	Analog output (control output, retransmission output)	Voltage pulse output (control output)	Relay output (control output, position proportional output)	Feedback input (for Position proportional type)	Contact input	Contact (alarm) output	Communication
Peer-to-peer communication error	Normal action	Normal action (However, the peer-to-peer communication register is not updated.)	Normal action	Normal action	Normal action	Normal action	Normal action	Normal action	Normal action	Normal action	Normal action	Normal action	Normal action
Auto-tuning time-out (Loop 1, Loop 2)	Normal action	Normal action	Auto-tuning stopped, normal action	Auto-tuning stopped, Normal action	Normal action	Normal action	Normal action	Normal action	Normal action	Normal action	Normal action	Normal action	Normal action
Automatic valve position adjustment error	Normal action	Normal action	Normal action	Normal action	Normal action	Normal action	Normal action	–	Normal action	105%	Normal action	Normal action	Normal action
Communication error (RS485 communication)	Normal action	Normal action	Normal action	Normal action	Normal action	Normal action	Normal action	Normal action	Normal action	Normal action	Normal action	Normal action	Normal action
Communication error (coordinated operation) Inconsistence of loop between coordinated master and slaves	Normal action	Normal action	Normal action	Normal action	Normal action	Normal action	Normal action	Normal action	Normal action	Normal action	Normal action	Normal action	Normal action
Communication error (coordinated operation) Communication from coordinated master is interrupted for 2 seconds.	Normal action	Normal action	Normal action	Normal action	Normal action	Normal action	Normal action	Normal action	Normal action	Normal action	Normal action	Normal action	Normal action
User profile error	Normal action	Normal action	Normal action	Normal action	Normal action	Normal action	Normal action	Normal action	Normal action	Normal action	Normal action	Normal action	PROFIBUS-DP/DeviceNet/CC-Link communication is disabled
Faulty FRAM	Normal action	Normal action	Normal action	Normal action	Normal action	Normal action	Normal action	Normal action	Normal action	Normal action	Normal action	Normal action	Normal action

Errors during Operation (4)

The errors shown below may occur during operation.

PV display (Operation Display)	Data display (Operation Display)	Status indicator (Operation Display)	LED display (Model with /MDL option)	Parameter that displays error details	Register that displays error details (Model with /MDL option)	Error description	Cause and diagnosis	Remedy
Undefined	Undefined	–	Unlit	–	–	Faulty MCU	MCU is corrupted.	Faulty Contact us for repair.
Undefined	Undefined	–		–		Faulty DCU (ROM/RAM error, corrupted)	DCU is corrupted.	Faulty Contact us for repair.

Errors during Operation On (Input/output Action)

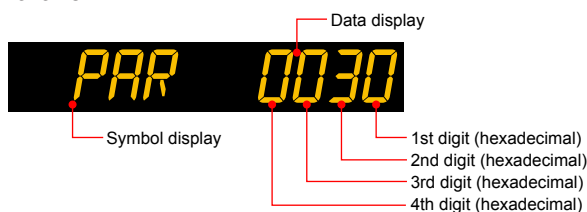
Error description	PV input, RSP input, and aux. analog input	Ladder calculation	Control computation	Control output	Retransmission output	Alarm action	Analog output (control output, retransmission output)	Voltage pulse output (control output)	Relay output (control output, position proportional output)	Feedback input (for Position proportional type)	Contact input	Contact (alarm) output	Communication
Faulty MCU	Undefined	Stopped	Stopped	Undefined	Undefined	Stopped	0% or less	OFF	OFF	Undefined	OFF	OFF	Stopped
Faulty DCU (ROM/RAM error, corrupted)	Undefined	Stopped	Stopped	Undefined	Undefined	Stopped	0% or less	OFF	OFF	Undefined	OFF	OFF	Stopped

Hexadecimal Display on Setpoint Display (Operation Display)

Some error codes are displayed in hexadecimal.

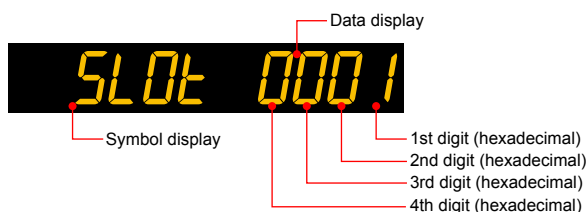
When the error occurs, "1" is set on the bit of corresponding error, and the bit data is displayed in hexadecimal.

If the setup parameter error or the operation parameter errors occur, it is displayed as follows:



Displayed digit	bit	Description
1st digit	0	System data error
	1	Calibration value error
	2	User (parameter) default value error
	3	–
2nd digit	4	Setup parameter error
	5	Operation parameter error
	6	–
	7	–
3rd digit	8	Faulty FRAM
	9	–
	10	Control parameter error
	11	–
4th digit	12	–
	13	–
	14	–
	15	–

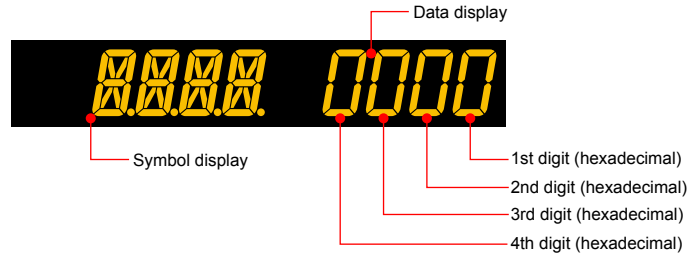
If the hardware in E1-terminal area does not respond, it is displayed as follows:



Displayed digit	bit	Description
1st digit	0	Non responding hardware in E1-terminal area
	1	Non responding hardware in E2-terminal area
	2	Non responding hardware in E3-terminal area
	3	–
2nd digit	4	Non responding hardware in E4-terminal area
	5	–
	6	–
	7	–
3rd digit	8	Communication error in E1-terminal area
	9	–
	10	Communication error in E3-terminal area
	11	–
4th digit	12	Communication error in E4-terminal area
	13	–
	14	–
	15	–

Hexadecimal Display of the Parameter which Shows the Error Details

Error confirmation parameters are displayed in hexadecimal.
 When the error occurs, "1" is set on the bit of corresponding error.



Parameter PA.ER

Displayed digit	bit	Description
1st digit	0	System data error
	1	Calibration value error
	2	User (parameter) default value error
	3	–
2nd digit	4	Setup parameter error
	5	Operation parameter error
	6	–
	7	–
3rd digit	8	Faulty FRAM
	9	–
	10	Control parameter error
	11	–
4th digit	12	–
	13	–
	14	–
	15	–

Parameter LA.ER

Displayed digit	bit	Description
1st digit	0	Ladder program corruption
	1	Ladder calculation overflow
	2	Ladder program error
	3	–
2nd digit	4	Load factor over 100%
	5	Load factor over 200%
	6	–
	7	–
3rd digit	8	–
	9	–
	10	–
	11	–
4th digit	12	–
	13	–
	14	–
	15	–

Parameter OP.ER

Displayed digit	bit	Description
1st digit	0	Non responding hardware in E1-terminal area
	1	Non responding hardware in E2-terminal area
	2	Non responding hardware in E3-terminal area
	3	–
2nd digit	4	Non responding hardware in E4-terminal area
	5	–
	6	–
	7	–
3rd digit	8	Communication error in E1-terminal area
	9	–
	10	Communication error in E3-terminal area
	11	–
4th digit	12	Communication error in E4-terminal area
	13	–
	14	–
	15	–

Parameter AD1.E

Displayed digit	bit	Description
1st digit	0	ADC error of PV input
	1	ADC error of RSP input (E1-terminal area)
	2	ADC error of AIN2 input (E2-terminal area)
	3	–
2nd digit	4	ADC error of AIN4 input (E4-terminal area)
	5	RJC error of PV input
	6	RJC error of RSP input
	7	–
3rd digit	8	PV input burnout error
	9	RSP input (E1-terminal area) burnout error
	10	AIN2 input (E2-terminal area) burnout error
	11	–
4th digit	12	AIN4 input (E4-terminal area) burnout error
	13	–
	14	–
	15	–

Parameter AD2.E

Displayed digit	bit	Description
1st digit	0	Feedback input resistor/current burnout
	1	Automatic valve position adjustment error
	2	–
	3	–
2nd digit	4	–
	5	–
	6	–
	7	–
3rd digit	8	–
	9	–
	10	–
	11	–
4th digit	12	–
	13	–
	14	–
	15	–

16.1 Troubleshooting

Parameter PV1.E

Displayed digit	bit	Description
1st digit	0	Loop-1 PV input burnout error
	1	Loop-1 RSP input burnout error
	2	Burnout error when Loop-1 RSP input is used for control
	3	–
2nd digit	4	Loop-1 PV input over-scale
	5	Loop-1 PV input under-scale
	6	–
	7	–
3rd digit	8	–
	9	–
	10	–
	11	–
4th digit	12	–
	13	–
	14	Loop-1 auto-tuning time-out
	15	–

Parameter PV2.E

Displayed digit	bit	Description
1st digit	0	Loop-2 PV input burnout error
	1	Loop-2 RSP input burnout error
	2	Burnout error when Loop-2 RSP input is used for control
	3	–
2nd digit	4	Loop-2 PV input over-scale
	5	Loop-2 PV input under-scale
	6	
	7	–
3rd digit	8	
	9	
	10	
	11	–
4th digit	12	
	13	–
	14	Loop-2 auto-tuning time-out
	15	–

16.2 Maintenance

16.2.1 Cleaning

The front panel and operation keys should be gently wiped with a cloth soaked with water and squeezed firmly.

CAUTION

In order to prevent LCD from static electricity damage, do not wipe with dry cloth. (When LCD is electrified, it returns to normal in several minutes.)
Do not use alcohol, benzene, or any other solvents.

16.2.2 Packaging when Shipping the Product for Repair

Should the instrument break down and need to be shipped to our sales representative for repair, handle it as noted below:

CAUTION

Write down the settings of parameters for a repair request.

WARNING

Prior to shipping the instrument, put it into an antistatic bag and repackage it using the original internal packaging materials and packaging container.

16.2.3 Replacing Parts

Do not replace any parts inside the unit.

16.3 Periodic Maintenance

Check the operating condition periodically to use this instrument with good condition.

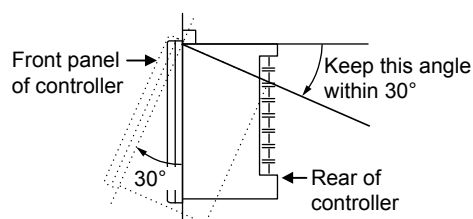
16.4 Disposal

When disposing of this instrument, arrange for appropriate disposal as industrial waste according to the rules of a country, the area, or a local government.

17.1 Installation Location

The instrument should be installed in indoor locations meeting the following conditions:

- Instrumented panel
This instrument is designed to be mounted in an instrumented panel. Mount the instrument in a location where its terminals will not inadvertently be touched.
If you are using a model with the /MDL option, be sure to mount the instrument in a panel with a door.
- Well ventilated locations
Mount the instrument in well ventilated locations to prevent the instrument's internal temperature from rising. However, make sure that the terminal portions are not exposed to wind. Exposure to wind may cause the temperature sensor accuracy to deteriorate. To mount multiple indicating controllers, see the external dimensions/ panel cutout dimensions which follow. If mounting other instruments adjacent to the instrument, comply with these panel cutout dimensions to provide sufficient clearance between the instruments.
- Locations with little mechanical vibration
Install the instrument in a location subject to little mechanical vibration.
- Horizontal location
Mount the instrument horizontally and ensure that it is level, with no inclination to the right or left.
For models other than those with the /MDL option, the instrument can be tilted up to 30 degrees.



Note

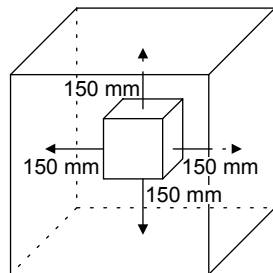
If the instrument is moved from a location with low temperature and low humidity to a place with high temperature and high humidity, or if the temperature changes rapidly, condensation will result. Moreover, in the case of thermocouple inputs, measurement errors will result. To avoid such a situation, leave the instrument in the new environment under ambient conditions for more than 1 hour prior to using it.

17.1 Installation Location

Do not mount the instrument in the following locations:

Models with the /MDL option do not have LCDs.

- Outdoors
- Locations subject to direct sunlight, ultrared rays, ultraviolet rays, or close to a heater
Install the instrument in a location with stable temperatures that remain close to an average temperature of 23°C. Do not mount it in locations subject to direct sunlight or close to a heater. Doing so adversely affects the instrument and LCD.
- Locations with substantial amounts of oily fumes, steam, moisture, dust, or corrosive gases
The presence of oily fumes, steam, moisture, dust, or corrosive gases adversely affects the instrument. Do not mount the instrument in locations subject to any of these substances.
- Areas near electromagnetic field generating sources
Do not place magnets or tools that generate magnetism near the instrument. If the instrument is used in locations close to a strong electromagnetic field generating source, the magnetic field may cause measurement errors.
- Locations where the display is difficult to see
The instrument uses an LCD for the display unit, and this can be difficult to see from extremely oblique angles. Mount the instrument in a location where it can be seen as much as possible from the front.
- Areas close to flammable articles
Absolutely do not place the instrument directly on flammable surfaces. If such a circumstance is unavoidable and the instrument must be placed close to a flammable item, provide a shield for it made of 1.43 mm thick plated steel or 1.6 mm thick unplated steel with a space of at least 150 mm between it and the instrument on the top, bottom and sides.



- Areas subject to being splashed with water

17.2 Mounting Method



WARNING

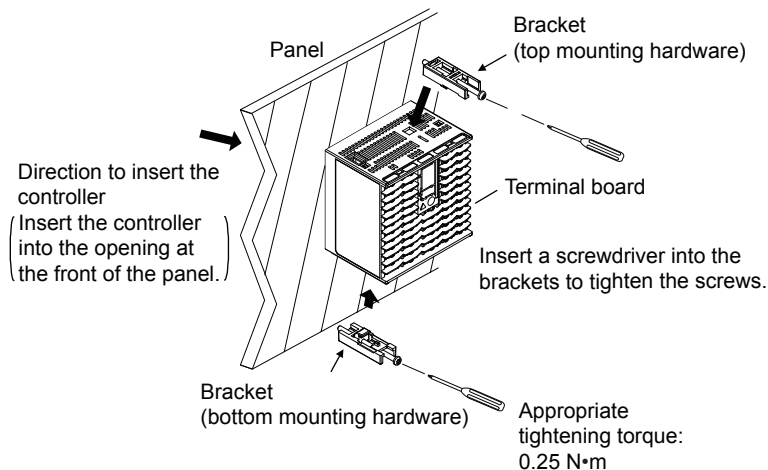
Be sure to turn OFF the power supply to the controller before installing it on the panel to avoid an electric shock.

Mounting the Instrument Main Unit (excluding the /MDL option)

Provide an instrumented panel steel sheet of 1 to 10 mm thickness.

After opening the mounting hole on the panel, follow the procedures below to install the controller:

1. Insert the controller into the opening from the front of the panel so that the terminal board on the rear is at the far side.
2. Set the brackets in place on the top and bottom of the controller as shown in the figure below, then tighten the screws of the brackets. Take care not to overtighten them.



To uninstall the controller, perform the procedure in the reverse order.

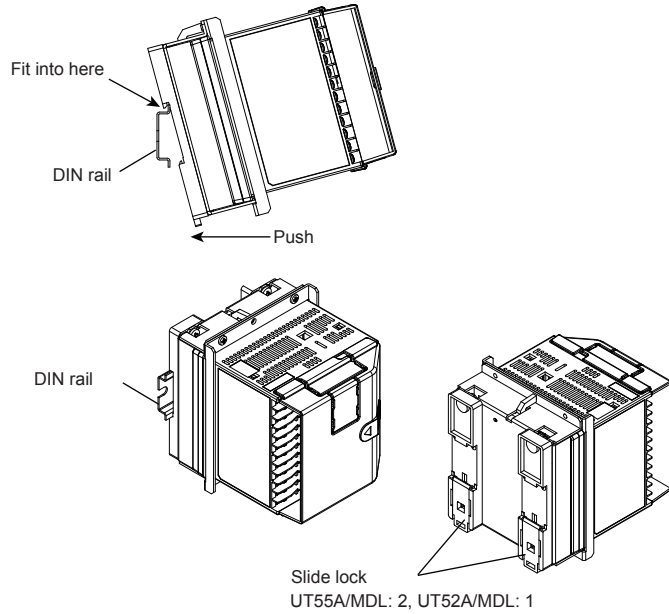
CAUTION

- 1) Tighten the screws with appropriate tightening torque within 0.25 N·m. Otherwise it may cause the case deformation or the bracket damage.
- 2) Make sure that foreign materials do not enter the inside of the instrument through the case's slit holes.

Mounting the Instrument Main Unit (with the /MDL option)

Mounting on a DIN Rail

Insert the DIN rail into the top area of DIN rail groove (at two locations) on the rear panel, and secure in place with the bottom slide lock.

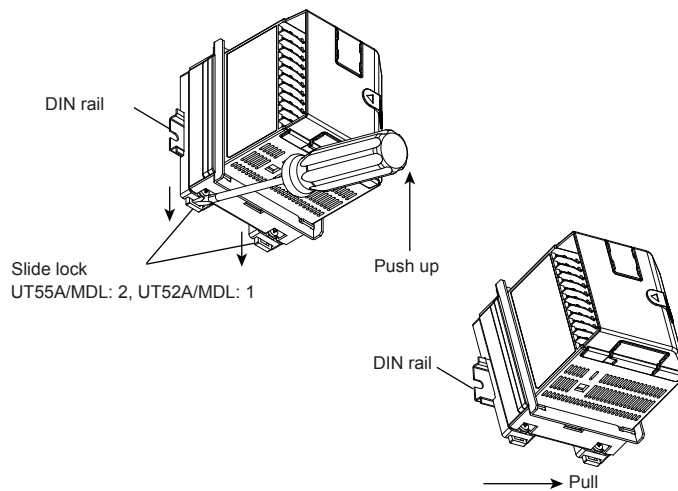


CAUTION

Make sure that foreign materials do not enter the inside of the instrument through the case's slit holes.

Removing from the DIN Rail

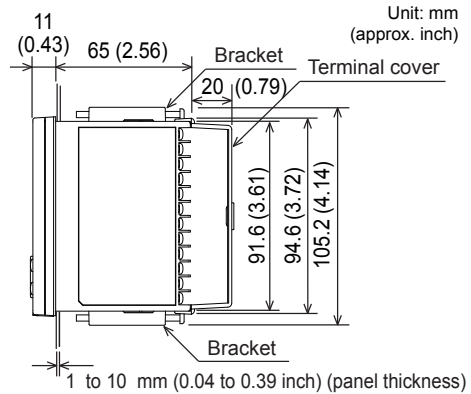
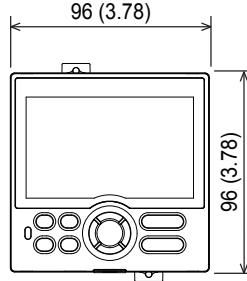
Insert a flat-blade screwdriver (guideline: 100 mm shaft length, 6 mm blade width, 0.8 mm blade thickness) into the bottom slide lock hole and pull down to release the slide lock. On the UT55A/MDL, there are two slide locks. Release the other slide lock after you release the first slide lock. When both slide locks are unlocked, the instrument can be removed from the DIN rail.



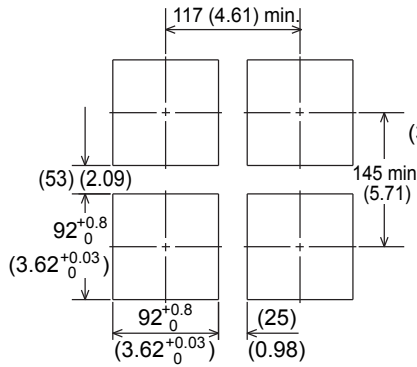
17.3 External Dimensions and Panel Cutout Dimensions

Mounting the Instrument Main Unit (excluding the /MDL option)

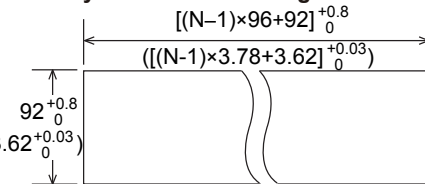
UT55A



General mounting



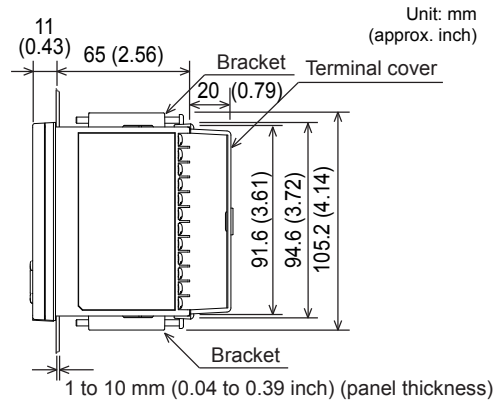
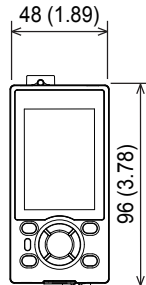
Side-by-side close mounting



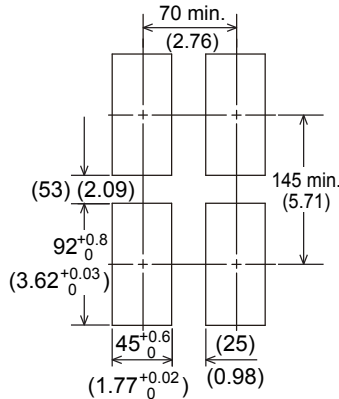
"N" stands for the number of controllers to be installed. However, the measured value applies if N≥5.

Normal tolerance: ±(value of JIS B 0401-1998 tolerance class IT18)/2

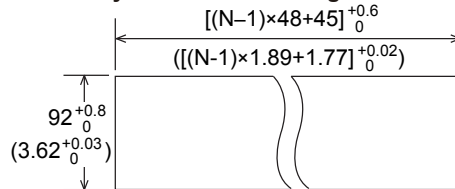
UT52A



General mounting



Side-by-side close mounting



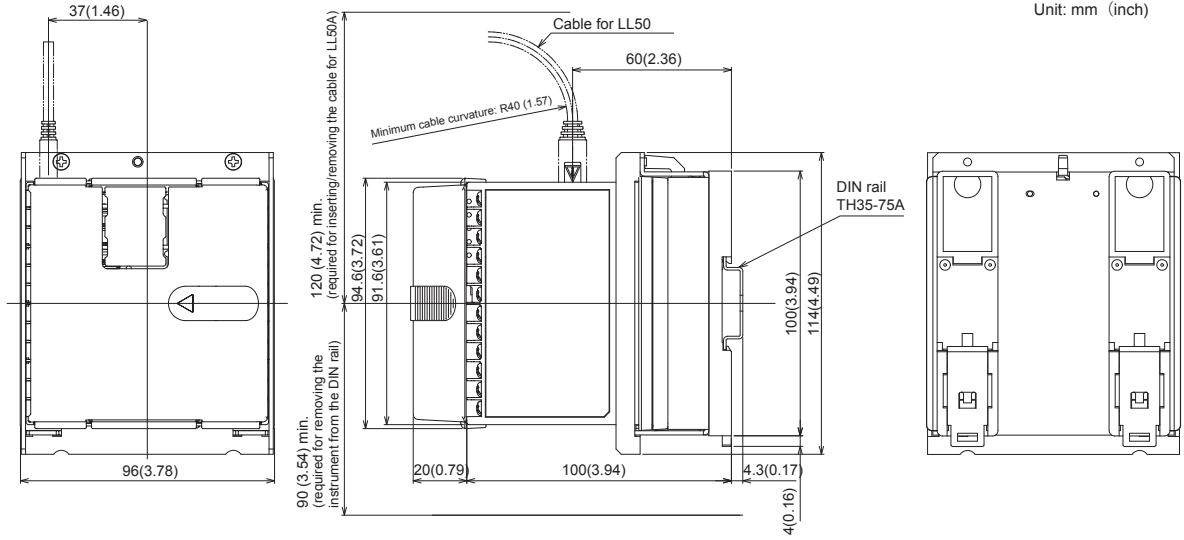
"N" stands for the number of controllers to be installed. However, the measured value applies if N≥5.

Normal tolerance: ±(value of JIS B 0401-1998 tolerance class IT18)/2

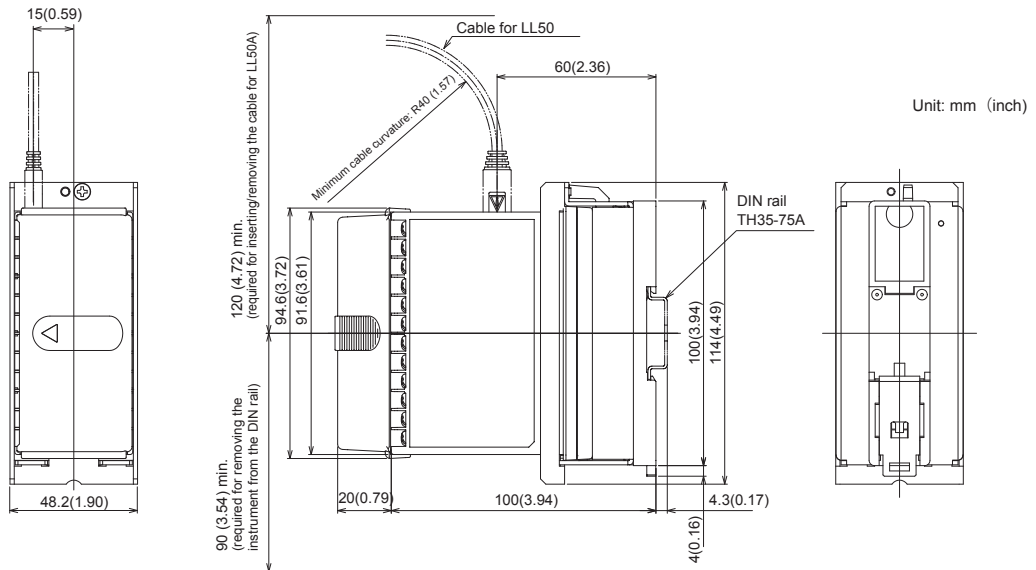
17.3 External Dimensions and Panel Cutout Dimensions

Mounting the Instrument Main Unit (with the /MDL option)

UT55A/MDL



UT52A/MDL



17.4 Wiring

17.4.1 Important Information on Wiring

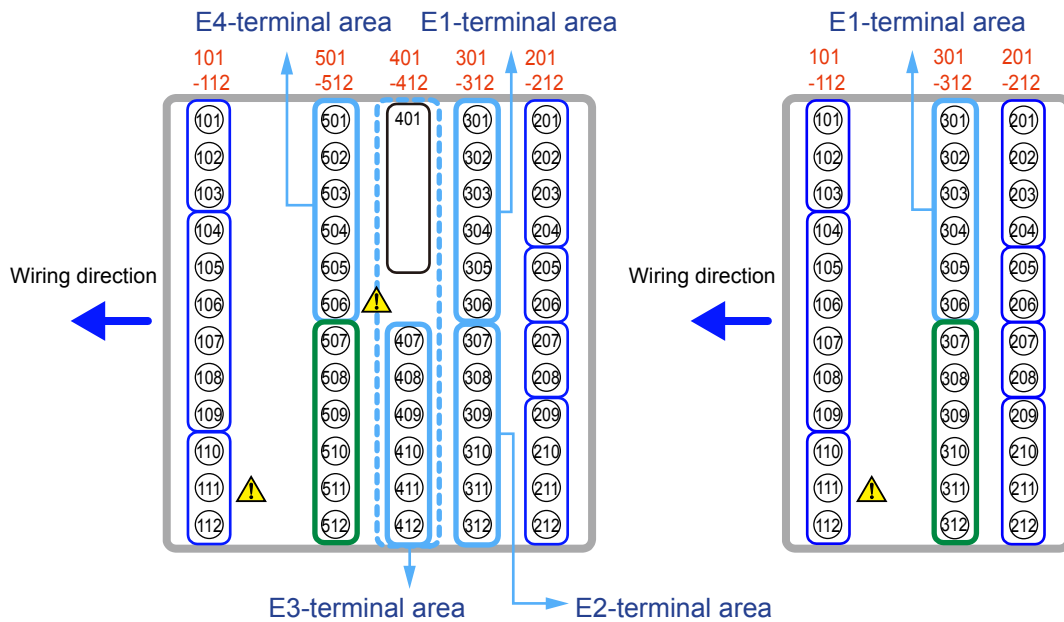


WARNING

- 1) Be sure to turn OFF the power supply to the controller before wiring to avoid an electric shock. Use a tester or similar device to ensure that no power is being supplied to a cable to be connected.
- 2) Wiring work must be carried out by a person with basic electrical knowledge and practical experience.
- 3) For the wiring cable, the temperature rating is 75 °C or more.

UT55A Terminal Block Diagram

UT52A Terminal Block Diagram



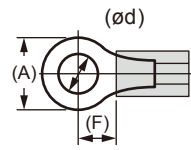
CAUTION

- When connecting two or more crimp-on terminal lugs to the single terminal block, bend the crimp-on terminal lugs before tightening the screw.
- Note that the wiring of two or more crimp-on terminal lugs to the single high-voltage terminal of the power supply and relay, etc. does not comply with the safety standard.

CAUTION

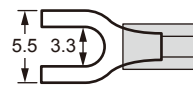
Do not use an unassigned terminal as the relay terminal.

Recommended Crimp-on Terminal Lugs



Recommended tightening torque: 0.6 N·m
 Applicable wire size: Power supply wiring 1.25 mm² or more

Applicable terminal lug	Applicable wire size mm ² (AWG#)	(ød)	(A)	(F)
M3	0.25 to 1.65 (22 to 16)	3.3	5.5	4.2



Cable Specifications

Purpose	Name and Manufacturer
Power supply, relay contact output	600 V Grade heat-resistant PVC insulated wires, JIS C 3317(HIV), 0.9 to 2.0 mm ²
Thermocouple	Shielded compensating lead wire JISC1610 For thermocouple input (PV input and remote input with direct input), shielded compensating lead wire of cross-sectional area less than or equal to 0.75 mm ² is recommended. If the cross-sectional area is wide, the reference junction compensation error may be large.
RTD	Shielded wire (three/four conductors) UL2482 (Hitachi Cable)
Other signals (other than contact input/output)	Shielded wires
Other signals (contact input/output)	Non shielded wires
RS485 communication	Shielded wires
Ethernet communication	100 BASE-TX (CAT-5) / 10 BASE-T
PROFIBUS-DP communication	Dedicated cable for PROFIBUS-DP (Shielded two-wires)
DeviceNet communication	Dedicated cable for DeviceNet (Shielded five-wires)
CC-Link communication	Dedicated cable for CC-Link (Shielded three-wires)

PROFIBUS-DP/CC-Link Connector (wiring side) (Part number: A1987JT)

DeviceNet Connector (wiring side) (Part number: L4502BW)

Recommended tightening torque: 0.5 to 0.6 N·m

Note

Communication wires of cross-sectional area less than or equal to 0.34 mm² may not be secured firmly to the terminals.
 Check that the wire is firmly connected to the terminal by folding the conductor of the wire connected to the crimp-on lug.
 Recommended length of the stripped wire: 7 mm

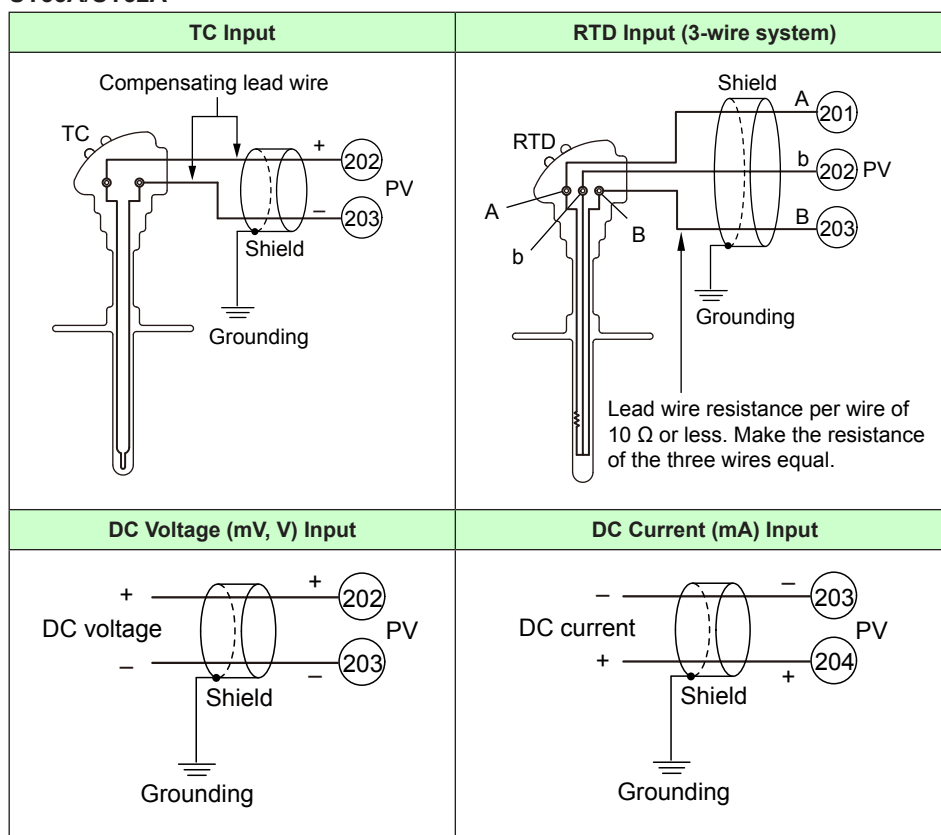
Note

If the UT is located at the end of a segment for the PROFIBUS communication wiring, terminating resistors are separately needed. These are to be prepared by users. (390 Ω: 2 pcs. 220 Ω: 1 pc., or an active terminator.)

17.4.2 PV Input Wiring

CAUTION

- 1) Be careful of polarity when wiring inputs. Reversed polarity can damage the UT.
- 2) Keep the PV input signal line as far away as possible from the power supply circuit and ground circuit.
- 3) For TC input, use shielded compensating lead wires for wiring. For RTD input, use shielded wires that have low conductor resistance and cause no significant differences in resistance between the three wires.
- 4) If there is a risk of external lightning surges, use a lightning arrester etc.

UT55A/UT52A**Use**

In Single-loop control, Cascade primary-loop control, Cascade secondary-loop control, Loop control for backup, or Loop control with PV-hold function, PV input is used for PV input.

In Loop control with PV switching or Loop control with PV auto-selector, PV input is used for PV input 1. Remote input (E1-terminal area) is used for PV input 2. In Loop control with PV auto-selector for 3 inputs or 4 inputs, auxiliary analog inputs are used for PV input 3 and PV input 4.

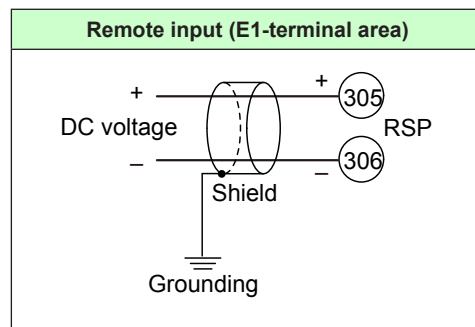
In Cascade control, PV input is used for Loop-1 PV input. Remote input (E1-terminal area) is used for Loop-2 PV input.

17.4.3 Remote (Auxiliary Analog) Input Wiring

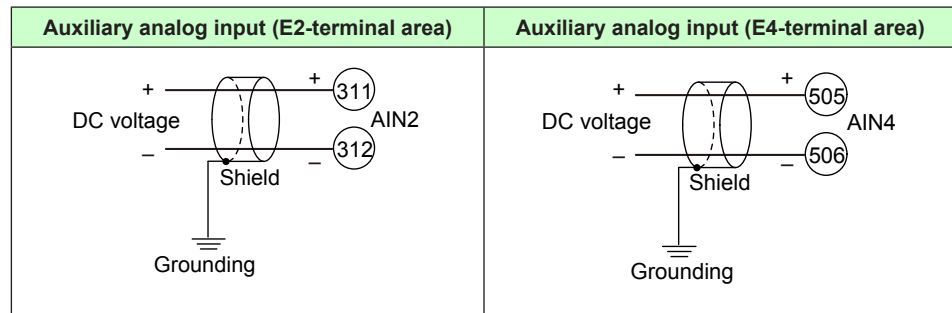
CAUTION

- 1) Be careful of polarity when wiring inputs. Reversed polarity can damage the UT.
- 2) Keep the remote (auxiliary analog) input signal line as far away as possible from the power supply circuit and ground circuit.
- 3) For TC input (remote input with direct input), use shielded compensating lead wires for wiring. For RTD input, use shielded wires that have low conductor resistance and cause no significant differences in resistance between the three wires.
- 4) If there is a risk of external lightning surges, use a lightning arrester etc.

UT55A/UT52A



UT55A



Use

RSP Remote Input (E1-terminal area)

- In Single-loop control or Loop control with PV-hold function, used for remote input.
- In Cascade primary-loop control, remote input is used for output tracking input.
- In Cascade secondary-loop control, remote input is used for cascade input.
- In Cascade control, remote input is used for Loop-2 PV input.
- In Loop control for backup, remote input is used for output tracking input.
- In Loop control with PV switching or Loop control with PV auto-selector, remote input is used for PV input 2.

AIN2 Auxiliary Analog Input (E2-terminal area)

In Loop control with PV auto-selector for 3 inputs or 4 inputs, auxiliary analog input (E-2 terminal area) is used for PV input 3.

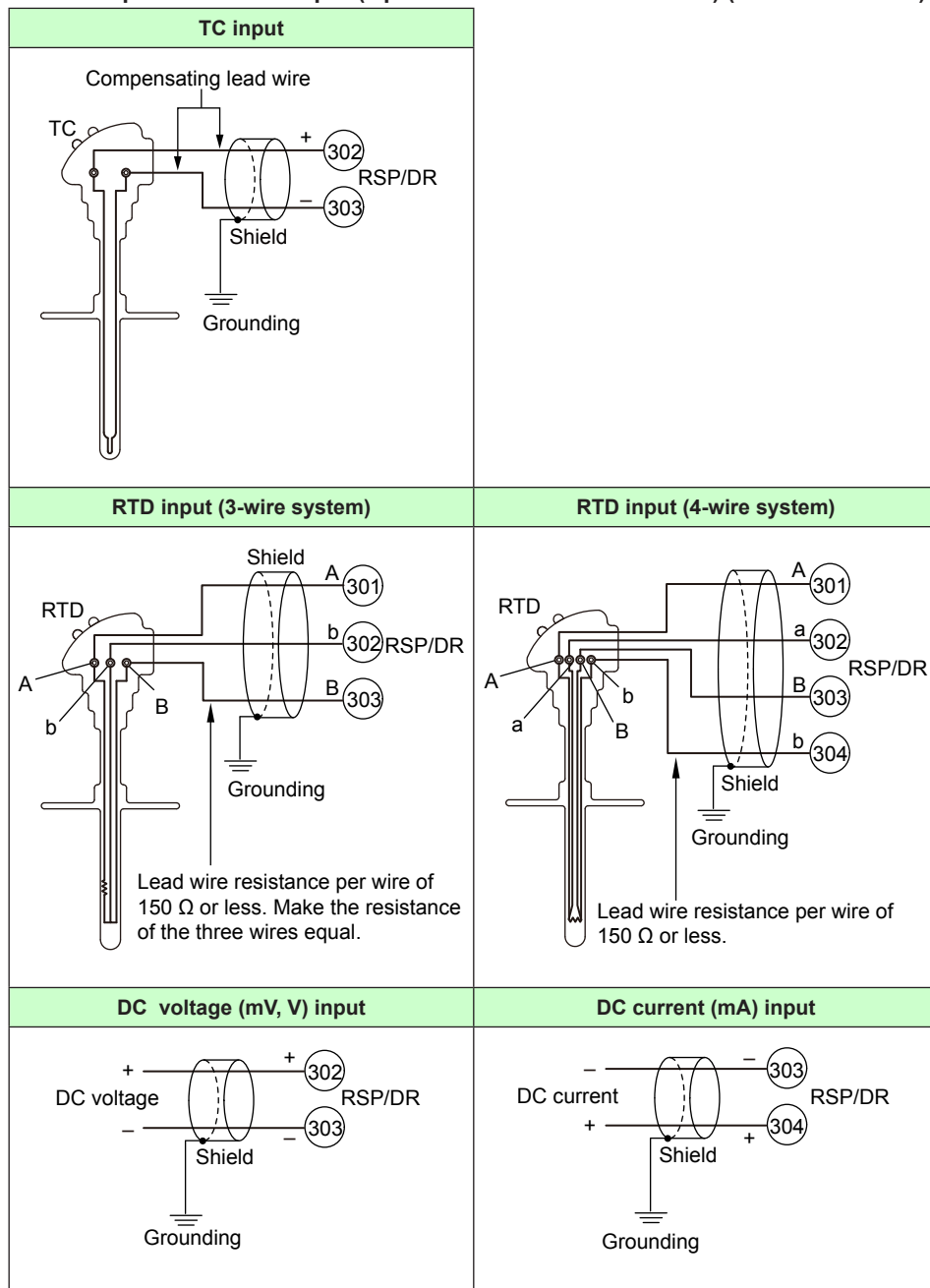
AIN4 Auxiliary Analog Input (E4-terminal area)

In Loop control with PV auto-selector for 4 inputs, auxiliary analog input (E4-terminal area) is used for PV input 4.

In Single-loop control or Single-loop position proportional control, auxiliary analog input (E4-terminal area) is used for feedforward input.

UT55A/UT52A

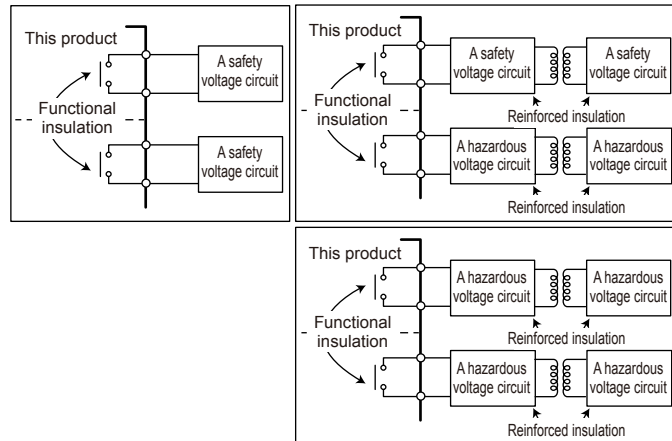
Remote Input with Direct Input (Optional suffix code /DR or /U1) (E1-terminal area)



17.4.4 Control Output (Relay, Triac, Current, and Voltage Pulse) Wiring

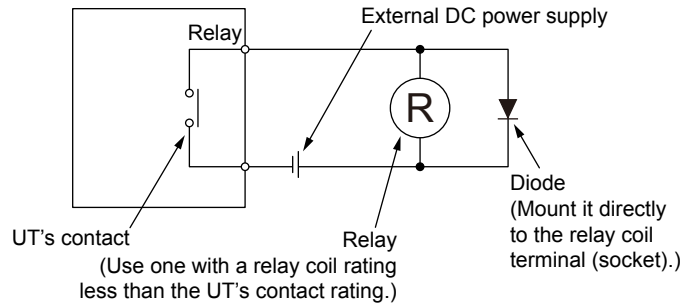
CAUTION

- 1) The use of inductance (L) loads such as auxiliary relays, motors and solenoid valves causes malfunction or relay failure; always insert a CR filter for use with alternating current or a diode for use with direct current, as a spark-removal surge suppression circuit, into the line in parallel with the load.
- 2) If there is a risk of external lightning surges, use a lightning arrester etc.
- 3) The control output should always be used with a load of 10 mA or more.
- 4) Since the insulation provided to each relay output terminal is Functional insulation, provide Reinforced insulation to the external of the device as necessary. (Refer to the drawing below.)



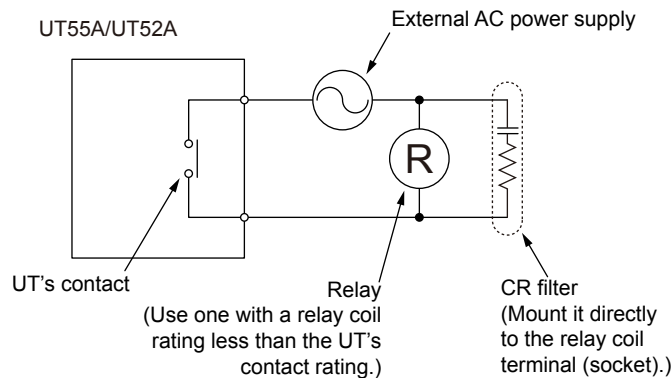
DC Relay Wiring

UT55A/UT52A



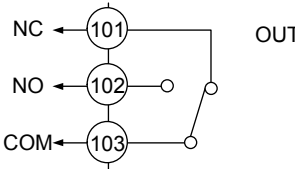
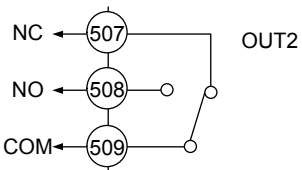
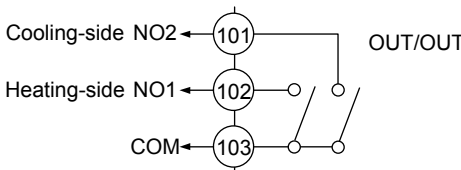
AC Relay Wiring

UT55A/UT52A



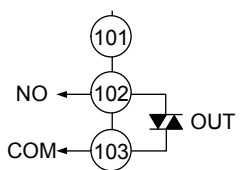
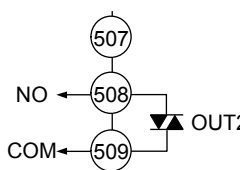
UT55A/UT52A

Relay Output

<p>(For Standard model) Standard type output (UT55A, UT52A) or Heating/cooling type heating-side output (UT55A) (For Detailed model) Suffix code of Output 1 = "-R" or "-U" (UT55A/UT52A)</p>	
 <p>Contact rating: 250 V AC, 3 A 30 V DC, 3 A (resistance load)</p>	
<p>(For Standard model) Heating/cooling type cooling-side output (UT55A) (For Detailed model) Suffix code of Output 2 = "R" or "U" (UT55A)</p>	<p>(For Standard model) Heating/cooling type heating/cooling output (UT52A) (For Detailed model) Suffix code of Output 1 = "-R" or "-U" and Suffix code of Output 2 = "R" or "U" (UT52A)</p>
 <p>Contact rating: 250 V AC, 3 A 30 V DC, 3 A (resistance load)</p>	 <p>Contact rating: 250 V AC, 3 A 30 V DC, 3 A (resistance load)</p> <p>Suffix code: Output 1 and Output 2 = "-UU", "-UR", "-RU" or "-RR" Terminal 102 has no function in "-AU" and "-AR."</p>

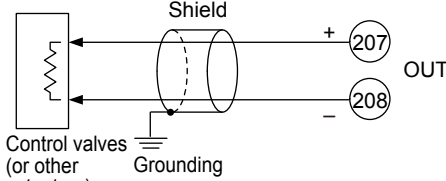
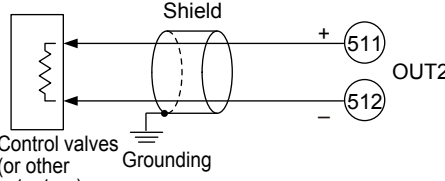
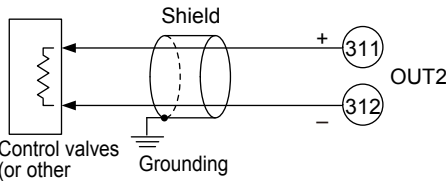
Note: The control output should always be used with a load of 10 mA or more.

Triac Output

<p>(For Detailed model) Suffix code of Output 1 = "-T" (UT55A/UT52A)</p>	
 <p>Contact rating: 75-250 V AC Allowable load current: 0.8 A</p>	
<p>(For Detailed model) Suffix code of Output 2 = "T" (UT55A)</p>	
 <p>Contact rating: 75-250 V AC Allowable load current: 0.8 A</p>	

UT55A/UT52A

Current and Voltage Pulse Output

<p>(For Standard model) Standard type or Heating/cooling type heating-side output (UT55A/UT52A) (For Detailed model) Suffix code of Output 1 = "-A" or "-U" (UT55A/UT52A)</p>	<p>(For Standard model) Heating/cooling type cooling-side output (UT55A) (For Detailed model) Suffix code of Output 2 = "A" or "U" (UT55A)</p>
 <p>Control valves (or other actuators) Grounding</p> <p>Current: 4 to 20 mA DC or 0 to 20 mA DC (resistance load: 600 Ω or less)</p> <p>Voltage pulse: On-voltage: 12 V DC or more (load resistance: 600 Ω or more) Off-voltage: 0.1 V DC or less</p>	 <p>Control valves (or other actuators) Grounding</p> <p>Current: 4 to 20 mA DC or 0 to 20 mA DC (resistance load: 600 Ω or less)</p> <p>Voltage pulse: On-voltage: 12 V DC or more (load resistance: 600 Ω or more) Off-voltage: 0.1 V DC or less</p>
<p>(For Standard model) Heating/cooling type cooling-side output (UT52A) (For Detailed model) Suffix code of Output 2 = "A" or "U" (UT52A)</p>	
 <p>Control valves (or other actuators) Grounding</p> <p>Current: 4 to 20 mA DC or 0 to 20 mA DC (resistance load: 600 Ω or less)</p> <p>Voltage pulse: On-voltage: 12 V DC or more (load resistance: 600 Ω or more) Off-voltage: 0.1 V DC or less</p>	

Use

When current/voltage pulse output is not used for control output, it can be used for retransmission output.

When retransmission output terminal is not used for retransmission output, it can be used for optional control output. The current output range can be changed.

For control output setting, set the control mode (CTLM) and the control type (CNT), then set the output terminal and output type in the output type selection (OT).

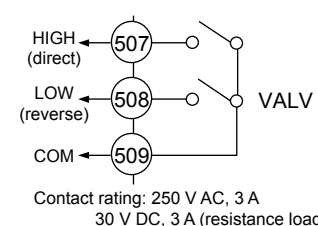
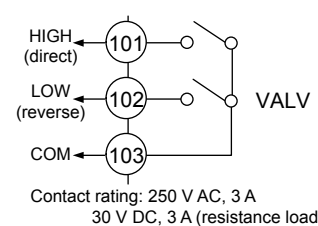
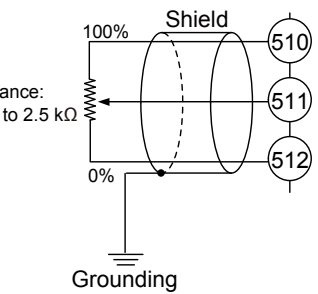
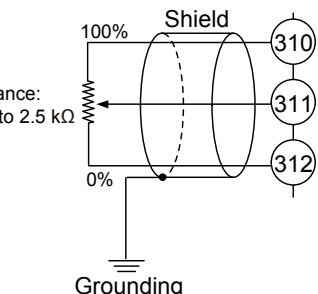
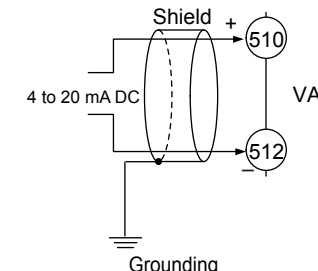
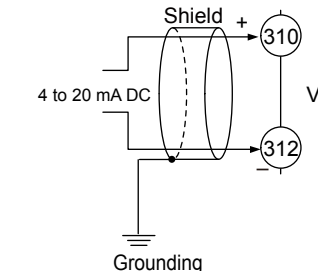
- ▶ [Control output type: 10.1 Setting Control Output Type](#)

17.4.5 Valve Position Output and Feedback Input Wiring

CAUTION

- 1) Use an auxiliary relay for load-switching if the contact rating is exceeded.
- 2) Keep the relay output wires and the feedback input wires at least 30 cm apart.
- 3) The output relay has a limited service life. Be sure to connect a CR filter (for AC) or diode (for DC) to the load.
- 4) If there is a risk of external lightning surges, use a lightning arrester etc.
- 5) This should always be used with a load of 10 mA or more.

► When using auxiliary relay: 17.4.4 Control Output (Relay, Current, and Voltage Pulse) Wiring

Relay contact output (UT55A)	Relay contact output (UT52A)
 <p style="font-size: small;">Contact rating: 250 V AC, 3 A 30 V DC, 3 A (resistance load)</p> <p style="font-size: x-small;">Note: This should always be used with a load of 10 mA or more.</p>	 <p style="font-size: small;">Contact rating: 250 V AC, 3 A 30 V DC, 3 A (resistance load)</p> <p style="font-size: x-small;">Note: This should always be used with a load of 10 mA or more.</p>
Feedback input (resistor) (UT55A)	Feedback input (resistor) (UT52A)
 <p style="font-size: x-small;">Resistance: 100 Ω to 2.5 kΩ</p> <p style="font-size: x-small;">Grounding</p>	 <p style="font-size: x-small;">Resistance: 100 Ω to 2.5 kΩ</p> <p style="font-size: x-small;">Grounding</p>
Feedback input (current) (UT55A)	Feedback input (current) (UT52A)
 <p style="font-size: x-small;">4 to 20 mA DC</p> <p style="font-size: x-small;">Grounding</p> <p style="font-size: x-small;">*: Always set the terminal 511 in open state.</p>	 <p style="font-size: x-small;">4 to 20 mA DC</p> <p style="font-size: x-small;">Grounding</p> <p style="font-size: x-small;">* Always set the terminal 311 in open state.</p>

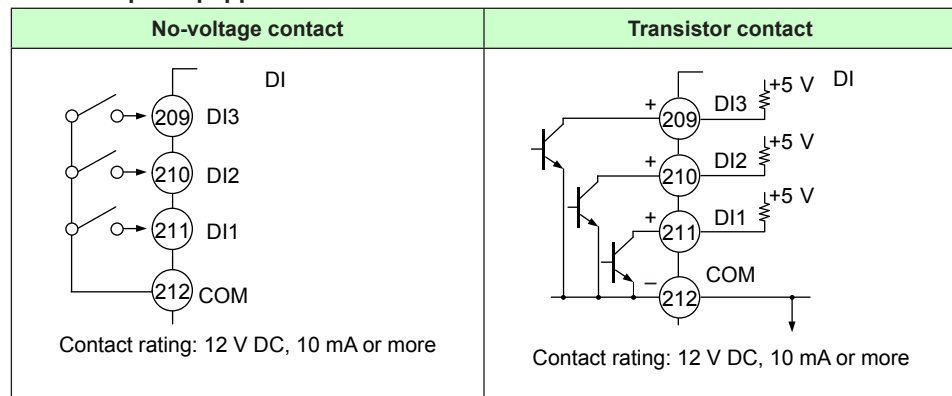
17.4.6 Contact Input Wiring

CAUTION

- 1) Use a no-voltage contact (relay contact etc.) for external contacts.
- 2) Use a no-voltage contact which has ample switching capacity for the terminal's OFF voltage (approx. 5V) and ON current (approx 1mA).
- 3) When using a transistor contact, the voltage at both terminals must be 2 V or less when the contact is ON and the leakage current must be 100 μ A or less when it is OFF.
- 4) If there is a risk of external lightning surges, use a lightning arrester etc.

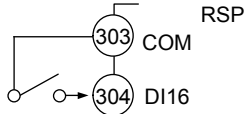
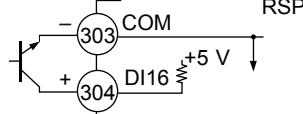
UT55A/UT52A

Contact Input Equipped as Standard

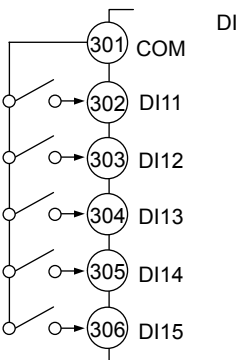
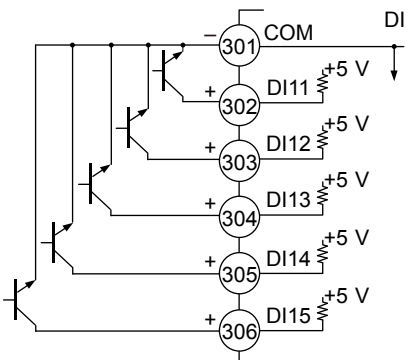


Additional Contact Input According to the UT55A Suffix Codes

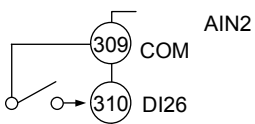
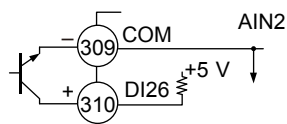
(For Standard model) UT55A suffix codes: Type 2=1, 2, 4, 5 or 7; however, without optional suffix code /DR
 (For Detailed model) UT55A optional suffix codes: /R1

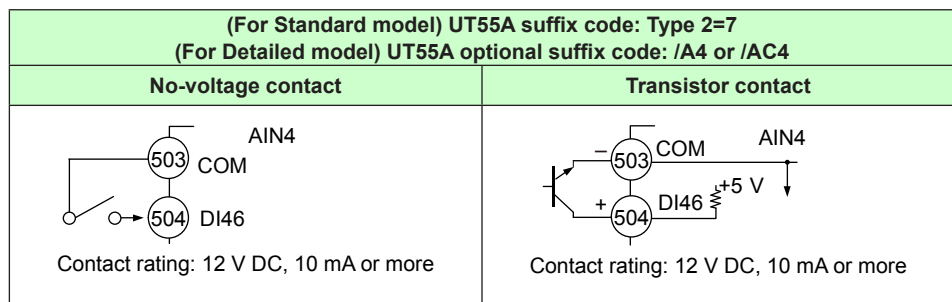
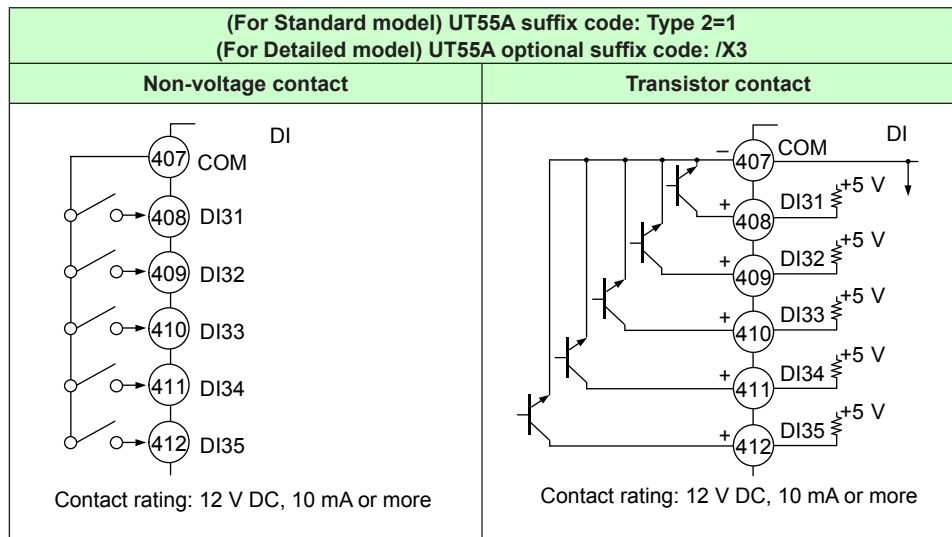
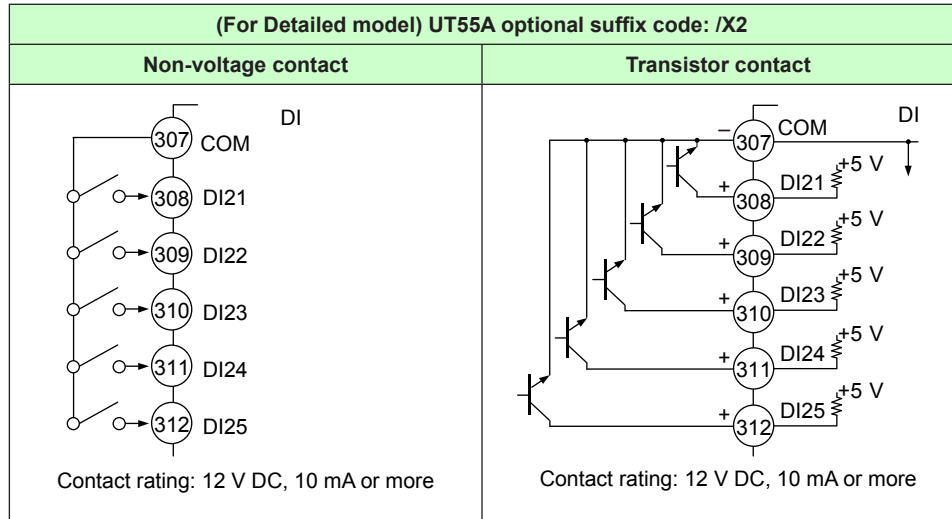
Non-voltage contact	Transistor contact
 <p>Contact rating: 12 V DC, 10 mA or more</p>	 <p>Contact rating: 12 V DC, 10 mA or more</p>

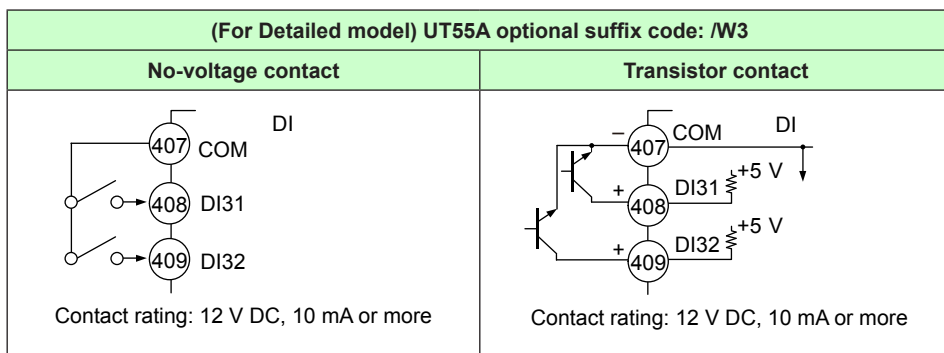
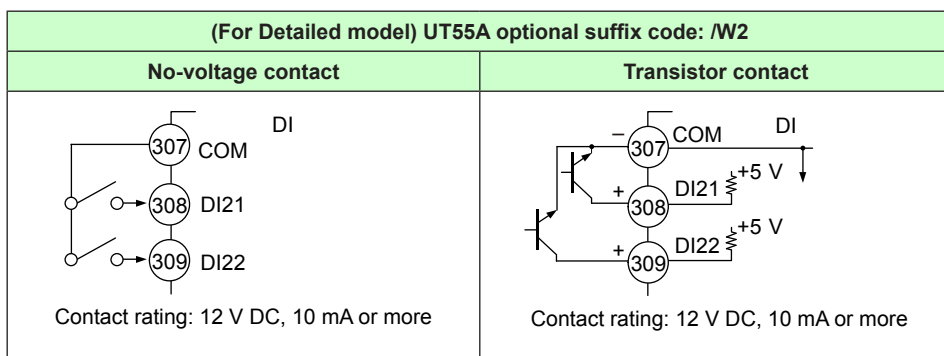
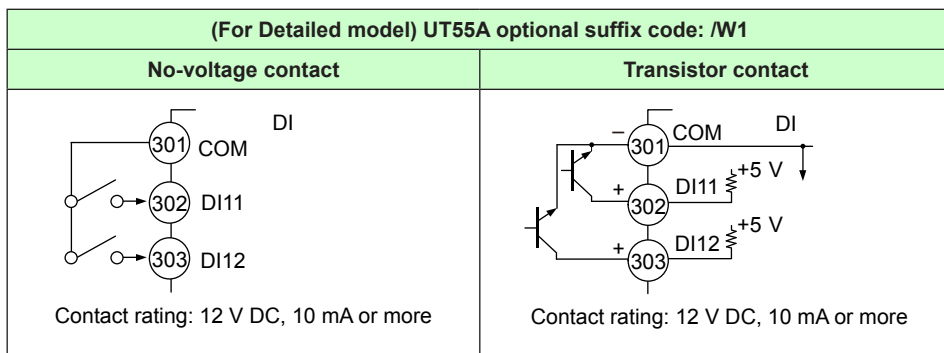
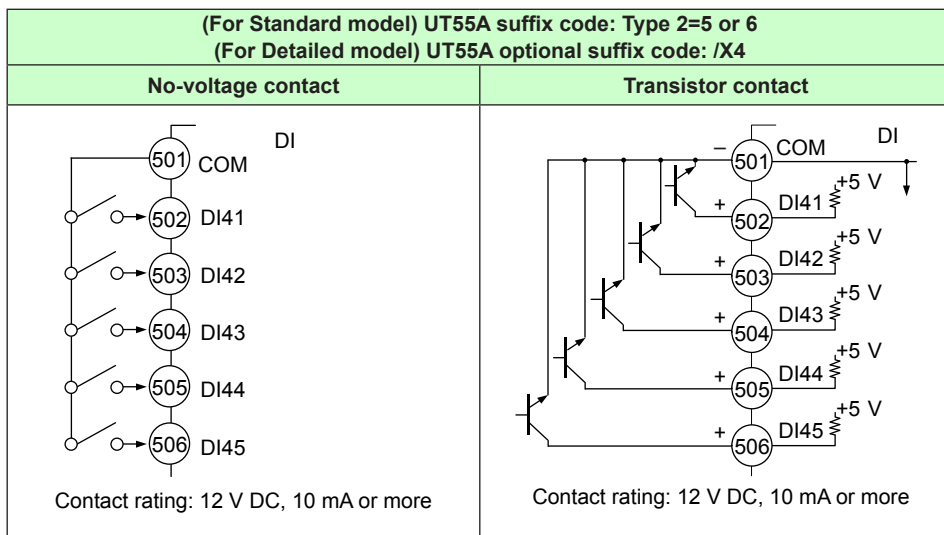
(For Standard model) UT55A suffix code: Type 2=3
 (For Detailed model) UT55A optional suffix code: /X1

Non-voltage contact	Transistor contact
 <p>Contact rating: 12 V DC, 10 mA or more</p>	 <p>Contact rating: 12 V DC, 10 mA or more</p>

(For Standard model) UT55A suffix code: Type 2=7
 (For Detailed model) UT55A optional suffix code: /A2

Non-voltage contact	Transistor contact
 <p>Contact rating: 12 V DC, 10 mA or more</p>	 <p>Contact rating: 12 V DC, 10 mA or more</p>





(For Detailed model) UT55A optional suffix code: /W4	
No-voltage contact	Transistor contact
<p>Contact rating: 12 V DC, 10 mA or more</p>	<p>Contact rating: 12 V DC, 10 mA or more</p>

Additional Contact Input According to the UT52A Suffix Codes

(For Standard model) UT52A suffix code: Type 2=1 or 2 (However, when Type2=2, applicable when without optional suffix code /DR) (For Detailed model) UT52A optional suffix code: /R1 or /RCH1	
No-voltage contact	Transistor contact
<p>Contact rating: 12 V DC, 10 mA or more</p>	<p>Contact rating: 12 V DC, 10 mA or more</p>

(For Detailed model) UT52A optional suffix code: /X1	
No-voltage contact	Transistor contact
<p>Contact rating: 12 V DC, 10 mA or more</p>	<p>Contact rating: 12 V DC, 10 mA or more</p>

(For Standard model) UT52A suffix code: Type 2=3 (For Detailed model) UT52A optional suffix code: /W1	
No-voltage contact	Transistor contact
<p>Contact rating: 12 V DC, 10 mA or more</p>	<p>Contact rating: 12 V DC, 10 mA or more</p>

The following table shows the initial status for each control mode and control type. No function is assigned to contact inputs other than those listed below.

► [Contact input function registration: 12.1 Setting Contact Input Function](#)

Control mode and control type	D11	D12	D13	D16
Single-loop Control Single-loop Heating/cooling Control Single-loop Position Proportional Control Single-loop Two-position Two-level Control Loop Control with PV Auto-selector (4 inputs) Heating/cooling Loop Control with PV Auto-selector (4 inputs) Position Proportional Loop Control with PV Auto-selector (4 inputs) Loop Control with PV-hold Function Heating/cooling Loop Control with PV-hold Function Position Proportional Loop Control with PV-hold Function	AUTO (ON)/ MAN (OFF) switch	STOP (ON)/ RUN (OFF) switch	None	Remote (ON)/ Local (OFF) switch
Cascade Primary-loop Control Loop Control for Backup Heating/cooling Loop Control for Backup Position Proportional Loop Control for Backup	AUTO (ON)/ MAN (OFF) switch	STOP (ON)/ RUN (OFF) switch	None	Output tracking switch (tracking in ON state)
Cascade Secondary-loop Control Cascade Secondary-loop Heating/cooling Control Cascade Secondary-loop Position Proportional Control	Cascade (OFF→ON) switch	AUTO (OFF→ON) switch	MAN (OFF→ON) switch	Cascade switches to AUTO in the event of FAIL of Loop 1 controller
Cascade Control Cascade Heating/cooling Control Cascade Position Proportional Control	Cascade (OFF→ON) switch	AUTO (OFF→ON) switch	MAN (OFF→ON) switch	STOP (ON)/ RUN (OFF) switch
Loop Control with PV Switching Heating/cooling Loop Control with PV Switching Position Proportional Loop Control with PV Switching	AUTO (ON)/ MAN (OFF) switch	STOP (ON)/ RUN (OFF) switch	None	RSP terminal Input (ON)/PV terminal input (OFF) switch
Loop Control with PV Auto-selector (2 inputs) Heating/cooling Loop Control with PV Auto-selector (2 inputs) Position Proportional Loop Control with PV Auto-selector (2 inputs)	AUTO (ON)/ MAN (OFF) switch	STOP (ON)/ RUN (OFF) switch	None	None

Note

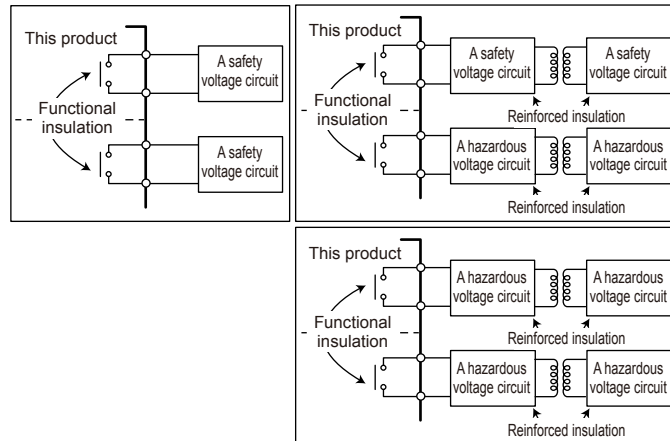
If the /DR option is additionally specified to the remote input, the remote Input with direct input can be used as remote input.

However, D116 is to be deleted. (See 17.4.3 Remote (Auxiliary Analog) Input Wiring)

17.4.7 Contact Output Wiring

CAUTION

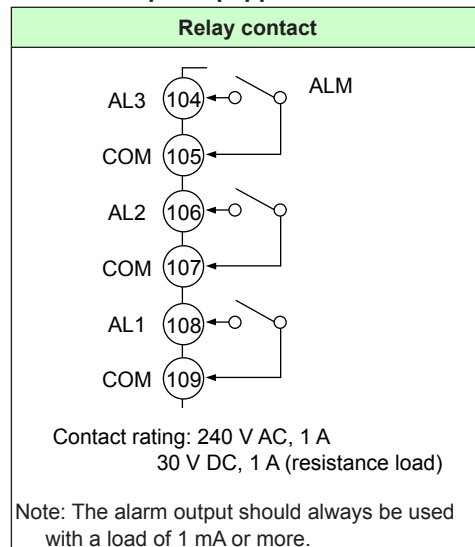
- 1) Use an auxiliary relay for load-switching if the contact rating is exceeded.
- 2) Connect a bleeder resistor when a small current is used, so that a current exceeding 1 mA can be supplied.
- 3) The output relay has a limited service life. Be sure to connect a CR filter (for AC) or diode (for DC) to the load.
- 4) If there is a risk of external lightning surges, use a lightning arrester etc.
- 5) Since the insulation provided to each relay output terminal is Functional insulation, provide Reinforced insulation to the external of the device as necessary. (Refer to the drawing below.)



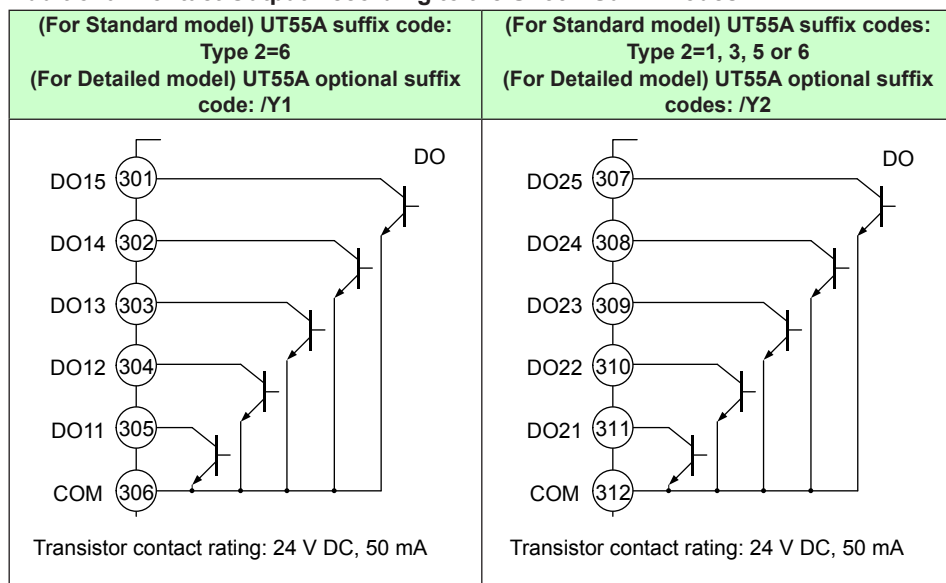
► When using auxiliary relay: 17.4.4 Control Output (Relay, Current, and Voltage Pulse) Wiring

UT55A/UT52A

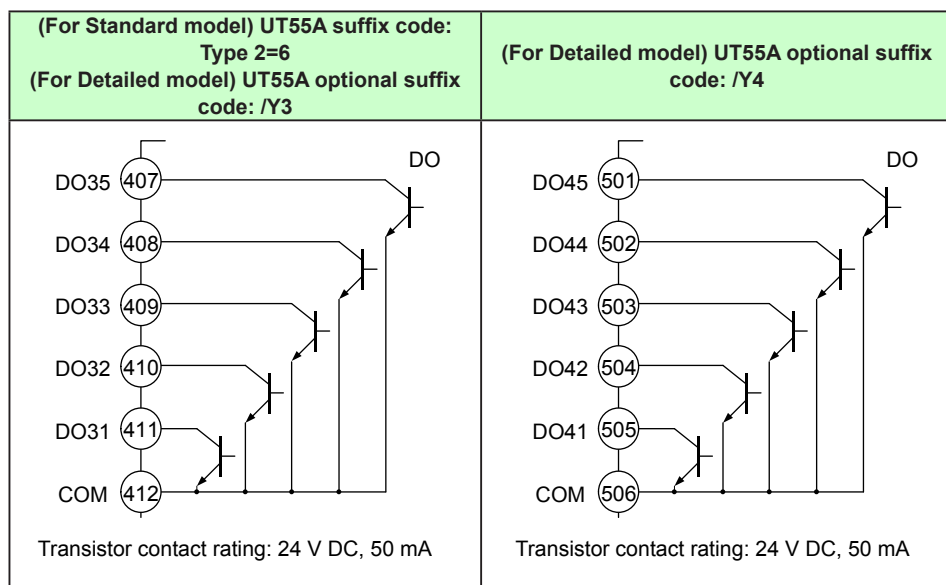
Contact Output Equipped as Standard



Additional Contact Output According to the UT55A Suffix Codes



Factory default: Function is not assigned to the additional contact outputs (DO11 to DO15).

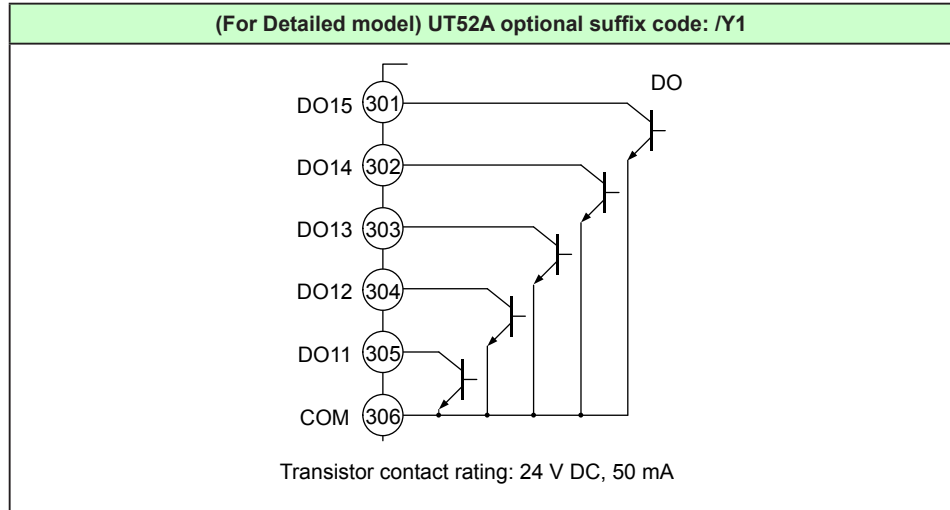


Factory default: Function is not assigned to the additional contact outputs.

▶ [Contact output function registration: 12.2 Setting Contact Output Function](#)

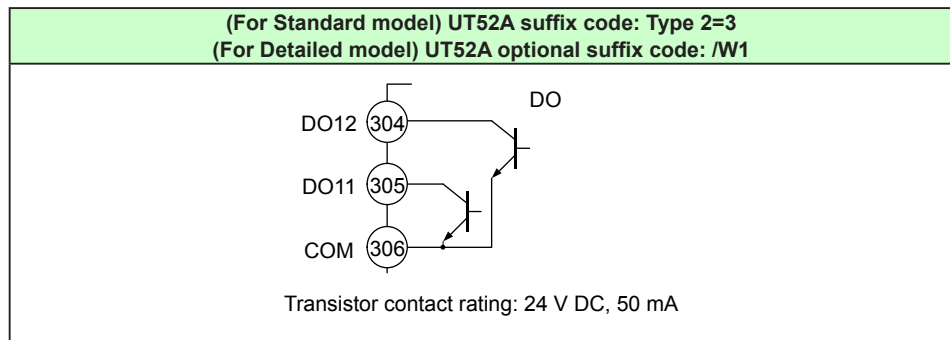
(For Detailed model) UT55A optional suffix code: /W1	(For Detailed model) UT55A optional suffix code: /W2
<p>Transistor contact rating: 24 V DC, 50 mA</p>	<p>Transistor contact rating: 24 V DC, 50 mA</p>
(For Detailed model) UT55A optional suffix code: /W3	(For Detailed model) UT55A optional suffix code: /W4
<p>Transistor contact rating: 24 V DC, 50 mA</p>	<p>Transistor contact rating: 24 V DC, 50 mA</p>

Additional Contact Output According to the UT52A Optional Suffix Codes



Factory default: Function is not assigned to the additional contact outputs.

► [Contact output function registration: 12.2 Setting Contact Output Function](#)



The following table shows the initial status for each control mode and control type.

Control mode and control type	AL1 terminal	AL2 terminal	AL3 terminal
Single-loop Control Single-loop Heating/cooling Control Single-loop Position Proportional Control Single-loop Two-position Two-level Control Loop Control with PV Switching Heating/cooling Loop Control with PV Switching Position Proportional Loop Control with PV Switching Loop Control with PV Auto-selector Heating/cooling Loop Control with PV Auto-selector Position Proportional Loop Control with PV Auto-selector Loop Control with PV-hold Function Heating/cooling Loop Control with PV-hold Function Position Proportional Loop Control with PV-hold Function	Alarm 1 (PV high limit)	Alarm 2 (PV low limit)	Alarm 3 (PV high limit)
Cascade Primary-loop Control Loop Control for Backup Heating/cooling Loop Control for Backup Position Proportional Loop Control for Backup	Alarm 1 (PV high limit)	Alarm 2 (PV low limit)	FAIL
Cascade Secondary-loop Control Cascade Secondary-loop Heating/cooling Control Cascade Secondary-loop Position Proportional Control	Alarm 1 (PV high limit)	Alarm 2 (PV low limit)	Tracking switch (to Loop-1 controller)
Cascade Control Cascade Heating/cooling Control Cascade Position Proportional Control	Alarm 1 (Loop-1 PV high limit)	Alarm 2 (Loop-1 PV low limit)	Alarm 3 (Loop-1 PV high limit)

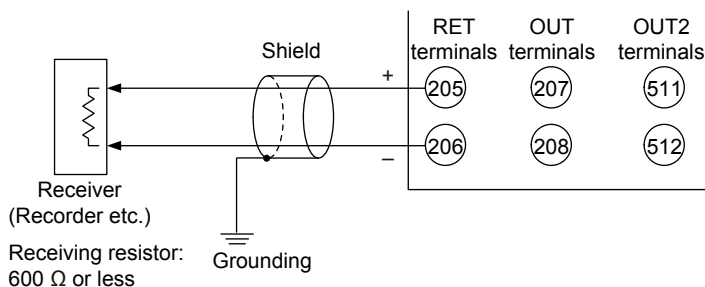
When the suffix code: Type 2 = 1, 3, 5, or 6, the following function is assigned to DO21 to DO25. However, alarms 5 to 8 are not displayed for the factory default.

- DO21: Alarm 4 (PV low limit)
- DO22: Alarm 5 (PV high limit)
- DO23: Alarm 6 (PV low limit)
- DO24: Alarm 7 (PV high limit)
- DO25: Alarm 8 (PV low limit)

17.4.8 Retransmission Output Wiring

When retransmission output is not used for retransmission output, it can be used for 15 V DC loop power supply.

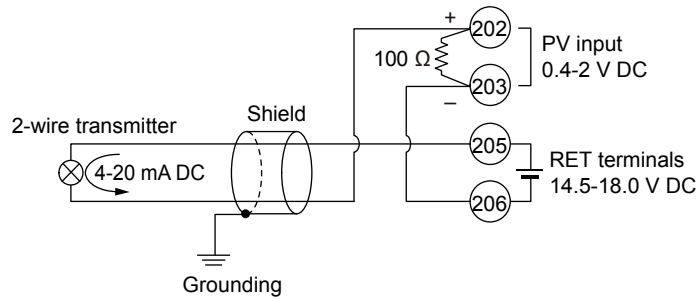
The current output range can be changed.



17.4.9 15 V DC Loop Power Supply Wiring

This can be used when it is not used for retransmission output.

The controller is equipped with a non-isolated loop power supply (14.5 to 18.0 V DC) for connecting a 2-wire transmitter.

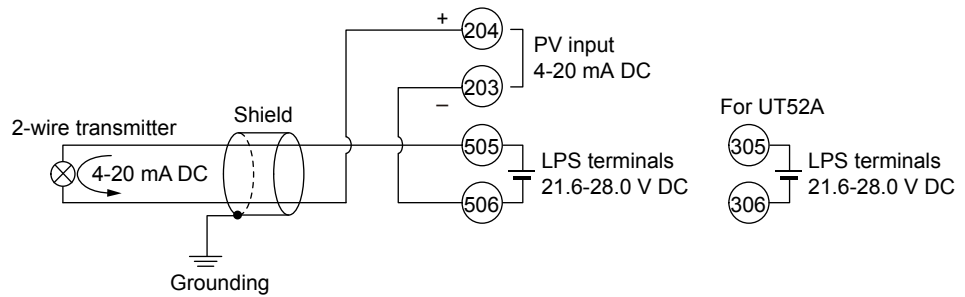


OUT terminal and OUT2 terminal also can be used.

17.4.10 24 V DC Loop Power Supply Wiring

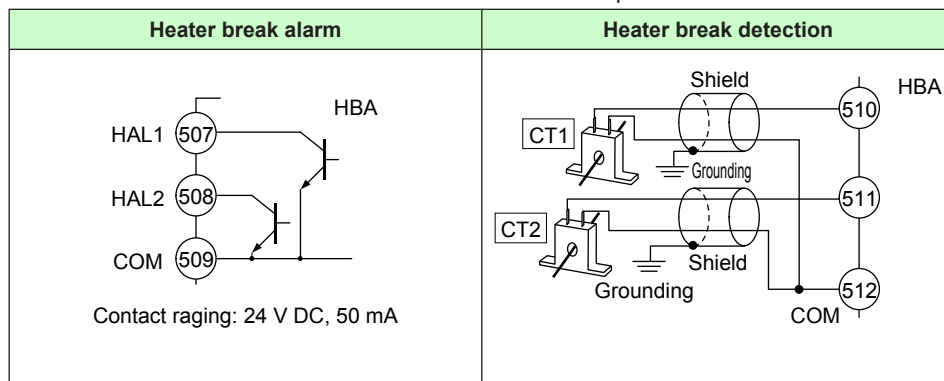
This can be used when the optional suffix code /LP, /LCH1, /L4, or /LC4 is specified.

The controller with the optional suffix code /LP, /LCH1, /L4, or /LC4 is equipped with an isolated loop power supply (21.6 to 28.0 V DC) for connecting a 2-wire transmitter.

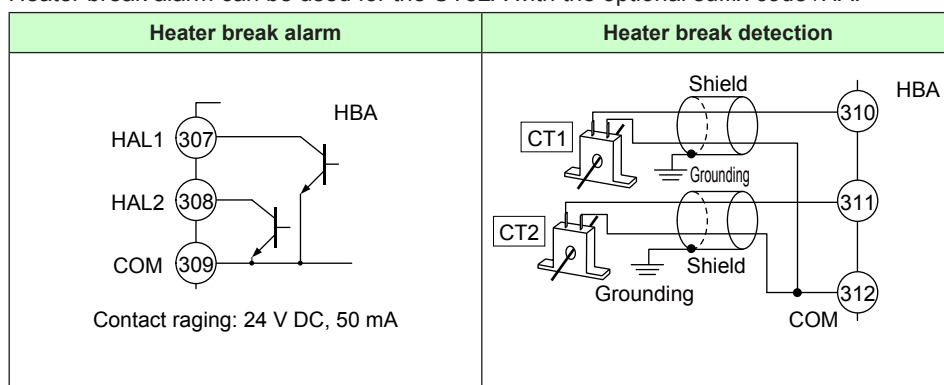


17.4.11 Heater Break Alarm Wiring

Heater break alarm can be used for the UT55A with the optional suffix code /HA.



Heater break alarm can be used for the UT52A with the optional suffix code /HA.



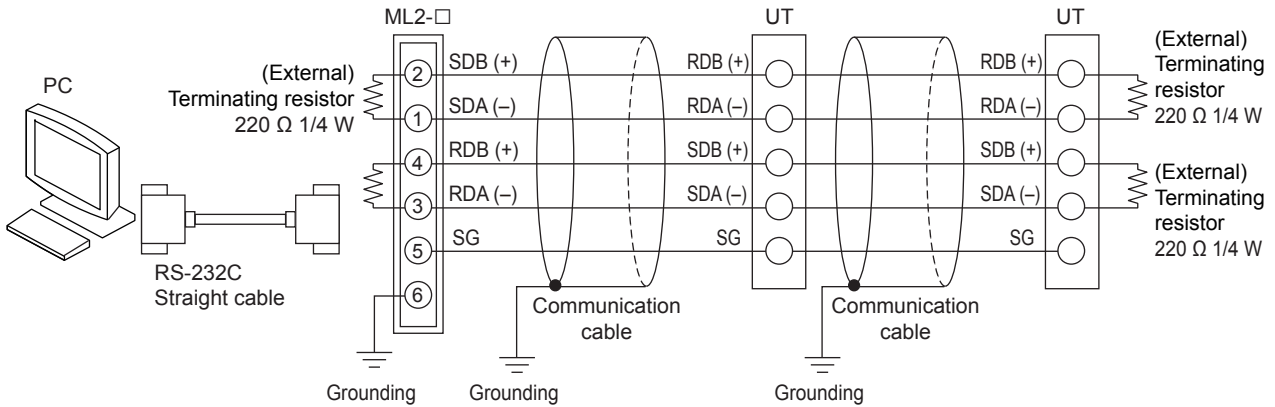
17.4.12 RS-485 Communication Interface Wiring

Wire as follows for Modbus communication, PC link communication, or ladder communication.

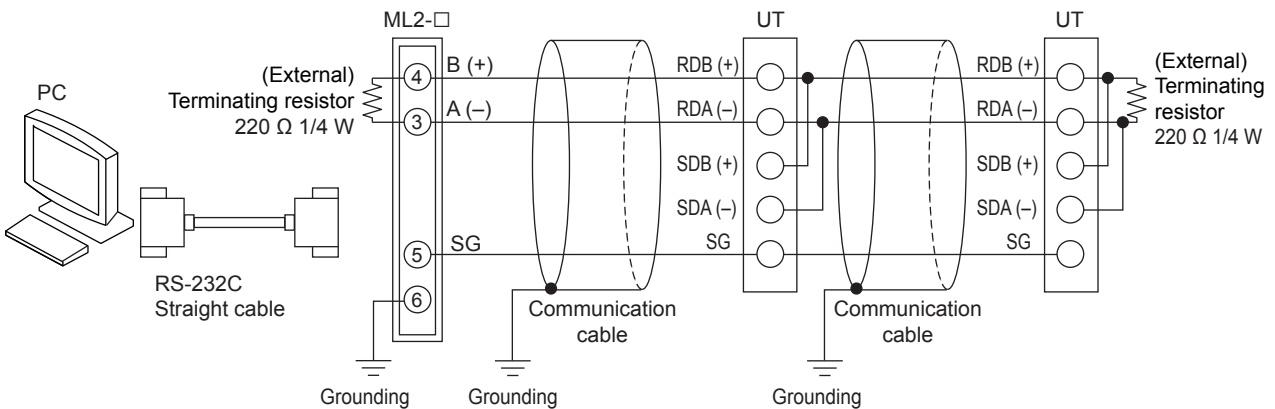
Always connect a terminating resistor to the station at the end of the communication line.

► [Details of communication parameter settings and communication functions: UTAdvanced Series Communication Interface \(RS-485, Ethernet\) User's Manual](#)

4-wire Wiring (for UT55A only)



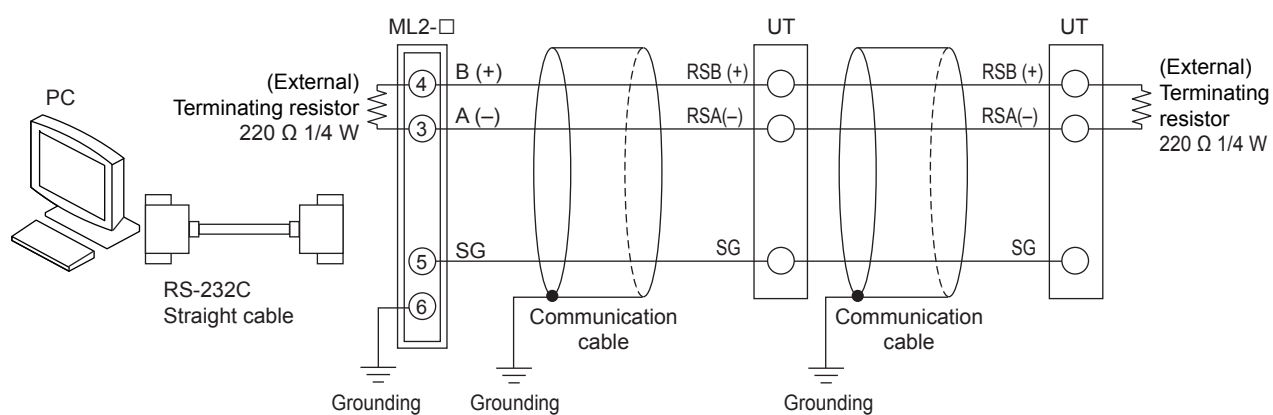
2-wire Wiring of 4-wire Terminal (for UT55A only)



UT55A/UT52A

Terminal symbol above	(For Standard model) UT55A Suffix code: Type 3 = 1; however, Type 2 = 1 or 6 excluded (For Detailed model) UT55A Optional suffix code: /CH3	(For Standard model) UT55A Suffix code: Type 2 = 1 or 2; however, without optional suffix code /LP (For Detailed model) UT55A Optional suffix code: /C4	(For Detailed model) UT52A Optional suffix code: /CH1
RDB (+)	410	504	304
RDA (-)	411	505	305
SDB (+)	407	501	301
SDA (-)	408	502	302
SG	409	503	303

2-wire Wiring



UT55A/UT52A

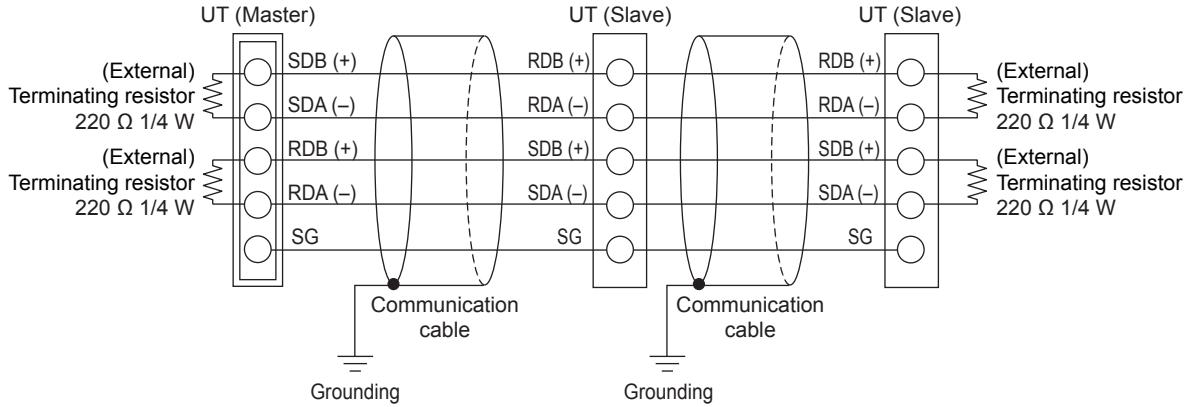
Terminal symbol above	(For Standard model) UT55A Suffix code: Type 2=1 or 2, and with optional suffix code /LP (For Detailed model) UT55A Optional suffix code: /AC4 or /LC4	(For Standard model) UT52A Suffix code: Type 2=1 (For Detailed model) UT52A Optional suffix code: /RCH1 or /LCH1
RSB (+)	501	301
RSA (-)	502	302
SG	503	303

Note

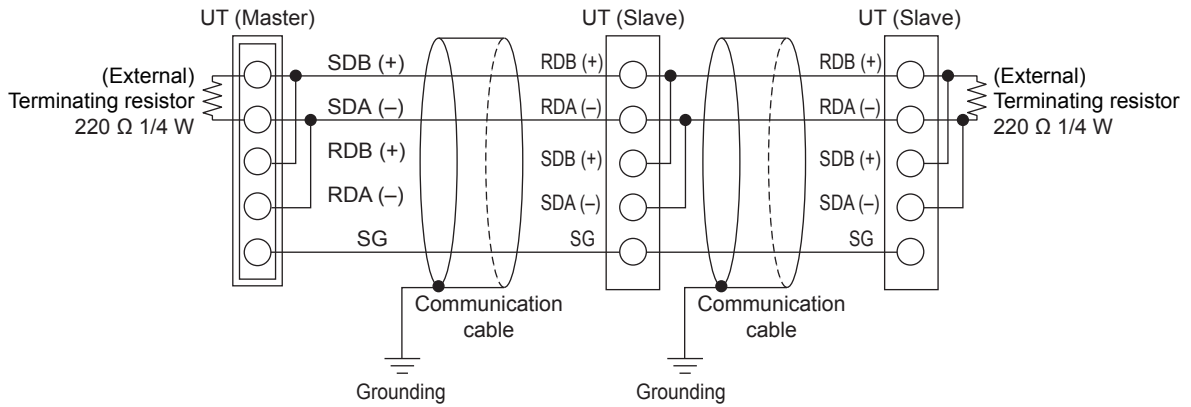
ML2-x indicates a converter of YOKOGAWA. Other than this, RS232C/RS485 converters can also be used. If another converter is to be used, check the electrical specifications of the converter before using it.

17.4.13 Coordinated Operation Wiring

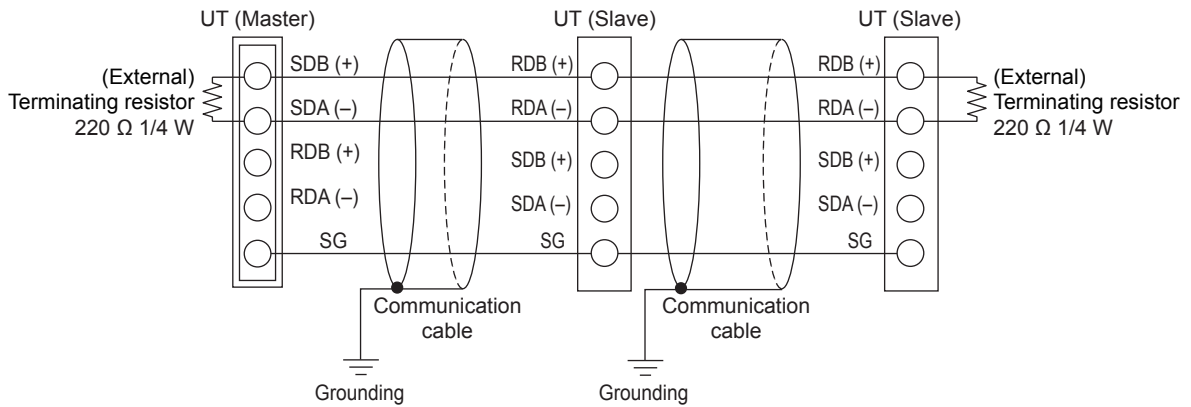
4-wire Wiring (for UT55A only)



2-wire Wiring of 4-wire Terminal (1) (for UT55A only)



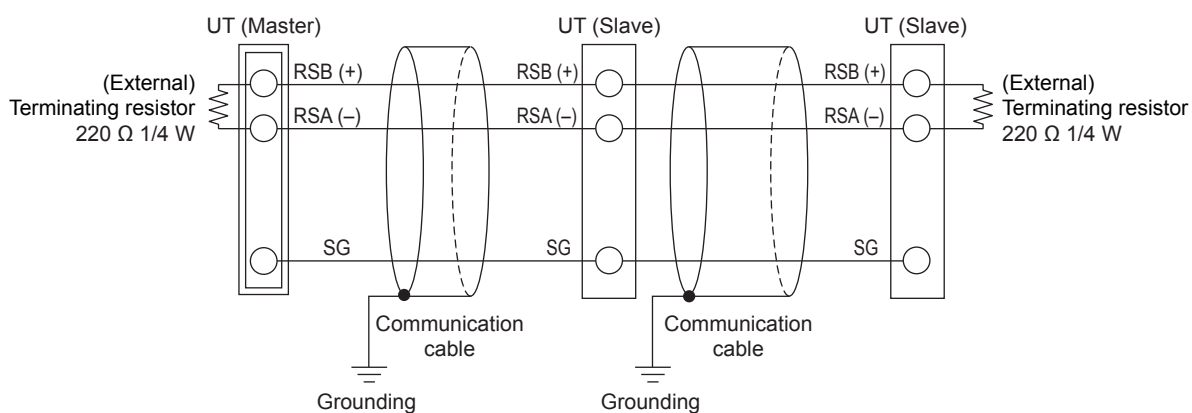
2-wire Wiring of 4-wire Terminal (2) (for UT55A only)



UT55A/UT52A

Terminal symbol above	(For Standard model) UT55A Suffix code: Type 3 = 1; however, Type 2 = 1 or 6 excluded (For Detailed model) UT55A Optional suffix code: /CH3	(For Standard model) UT55A Suffix code: Type 2 = 1 or 2; however, without optional suffix code /LP (For Detailed model) UT55A Optional suffix code: /C4	(For Detailed model) UT52A Optional suffix code: /CH1
RDB (+)	410	504	304
RDA (-)	411	505	305
SDB (+)	407	501	301
SDA (-)	408	502	302
SG	409	503	303

2-wire Wiring



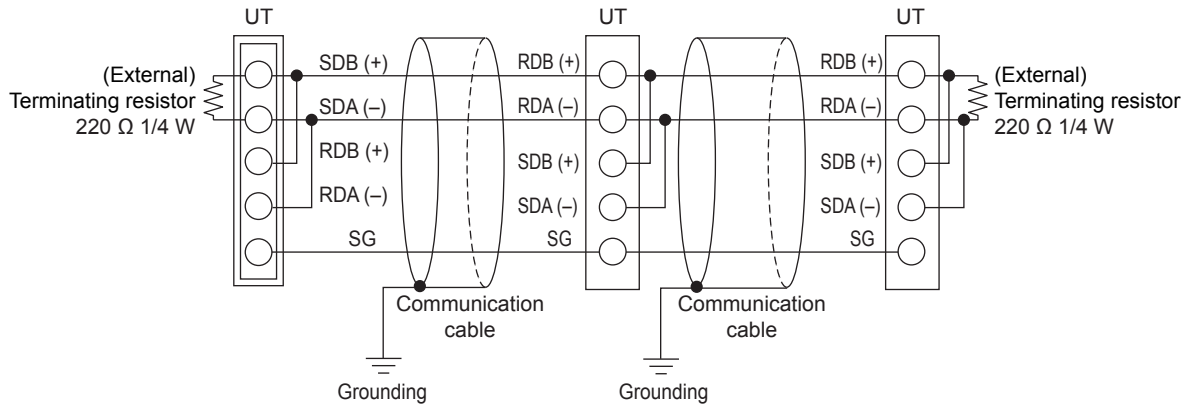
UT55A/UT52A

Terminal symbol above	(For Standard model) UT55A Suffix code: Type 2=1 or 2, and with optional suffix code /LP (For Detailed model) UT55A Optional suffix code: /AC4 or /LC4	(For Standard model) UT52A Suffix code: Type 2=1 (For Detailed model) UT52A Optional suffix code: /RCH1 or /LCH1
RSB (+)	501	301
RSA (-)	502	302
SG	503	303

17.4.14 Peer-to peer Communication Wiring

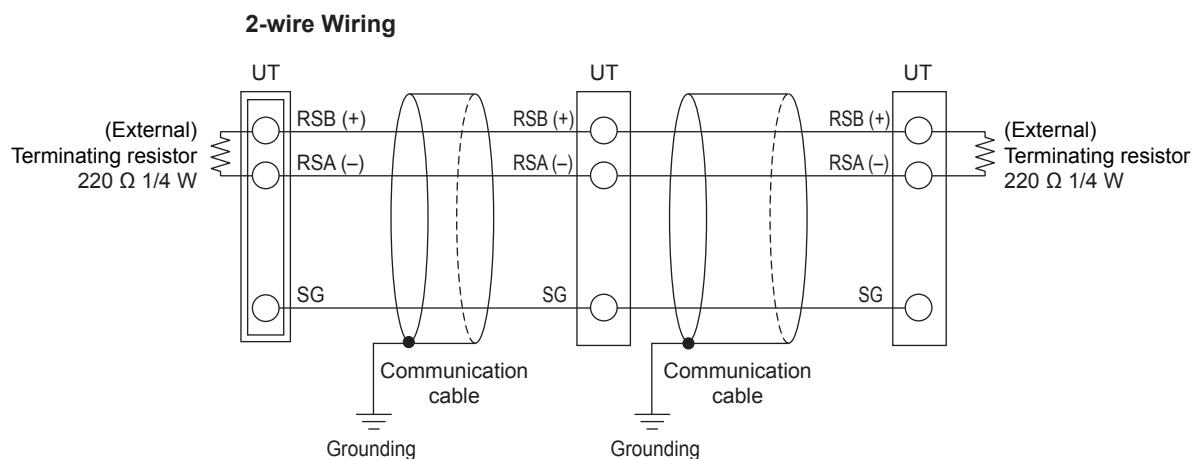
Peer-to-peer communication can be used on ladder program of UT55A/UT52A.

2-wire Wiring of 4-wire Terminal (for UT55A only)



UT55A/UT52A

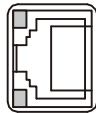
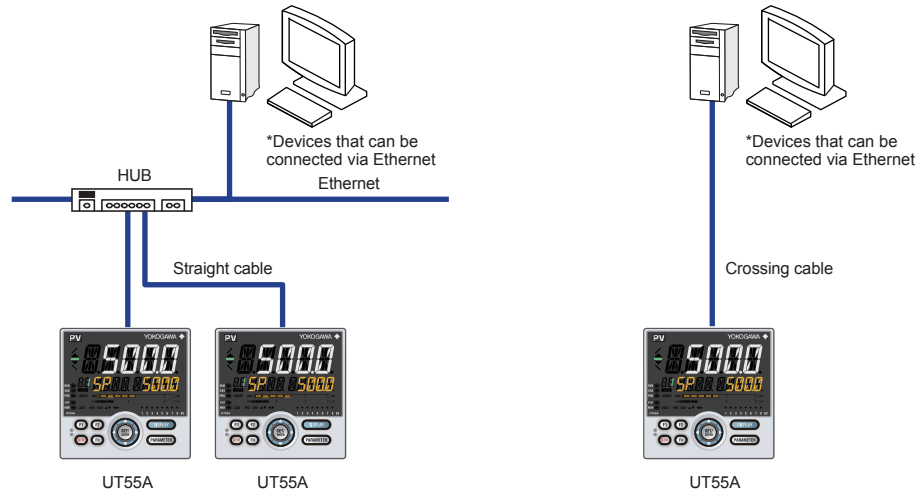
Terminal symbol above	(For Standard model) UT55A Suffix code: Type 3 = 1; however, Type 2 = 1 or 6 excluded (For Detailed model) UT55A Optional suffix code: /CH3	(For Standard model) UT55A Suffix code: Type 2 = 1 or 2; however, without optional suffix code /LP (For Detailed model) UT55A Optional suffix code: /C4	(For Detailed model) UT52A Optional suffix code: /CH1
RDB (+)	410	504	304
RDA (-)	411	505	305
SDB (+)	407	501	301
SDA (-)	408	502	302
SG	409	503	303

**UT55A/UT52A**

Terminal symbol above	(For Standard model) UT55A Suffix code: Type 2=1 or 2, and with optional suffix code /LP (For Detailed model) UT55A Optional suffix code: /AC4 or /LC4	(For Standard model) UT52A Suffix code: Type 2=1 (For Detailed model) UT52A Optional suffix code: /RCH1 or /LCH1
RSB (+)	501	301
RSA (-)	502	302
SG	503	303

- ▶ [Details of communication parameter settings and communication functions: UTAdvanced Series Communication Interface \(RS-485, Ethernet\) User's Manual](#)
- ▶ [Details of Peer-to-peer communication: LL50A Parameter Setting Software User's Manual](#)

17.4.15 Ethernet Communication Interface Wiring



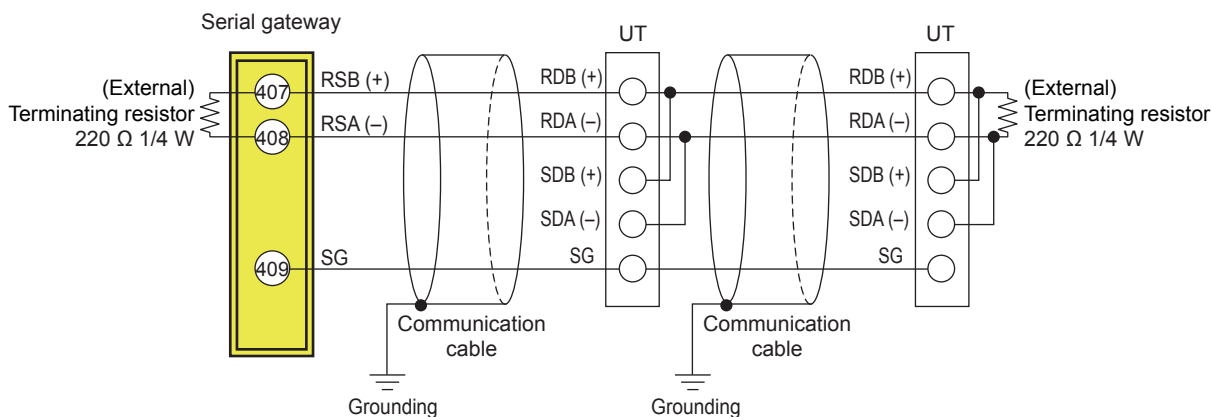
Upper side LED (baud rate)		Lower side LED (link activity)	
Color	Amber	Color	Green
Lit	100M bps	Lit	Linked
Unlit	10M bps	Blink	Active
		Unlit	Link failure

CAUTION

Be sure to connect a lightning arrester for Ethernet (100BASE-TX/10BASE-T) in an environment where a surge voltage may be induced by a lightning discharge.

RS-485 communication wiring for the serial gateway function is as follows.

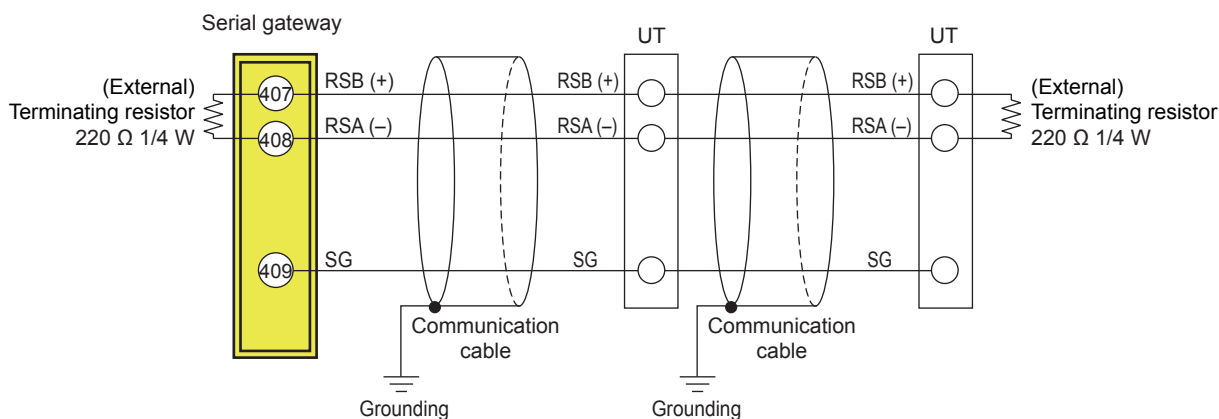
2-wire Wiring of 4-wire Terminal (for UT55A only)



UT55A/UT52A (Slave terminals)

Terminal symbol above	(For Standard model) UT55A Suffix code: Type 3 = 1; however, Type 2 = 1 or 6 excluded (For Detailed model) UT55A Optional suffix code: /CH3	(For Standard model) UT55A Suffix code: Type 2 = 1 or 2; however, without optional suffix code /LP (For Detailed model) UT55A Optional suffix code: /C4	(For Detailed model) UT52A Optional suffix code: /CH1
RDB (+)	410	504	304
RDA (-)	411	505	305
SDB (+)	407	501	301
SDA (-)	408	502	302
SG	409	503	303

2-wire Wiring

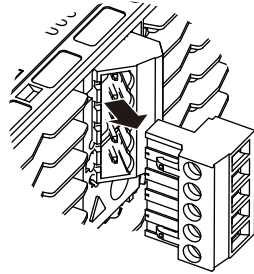


UT55A/UT52A (Slave terminals)

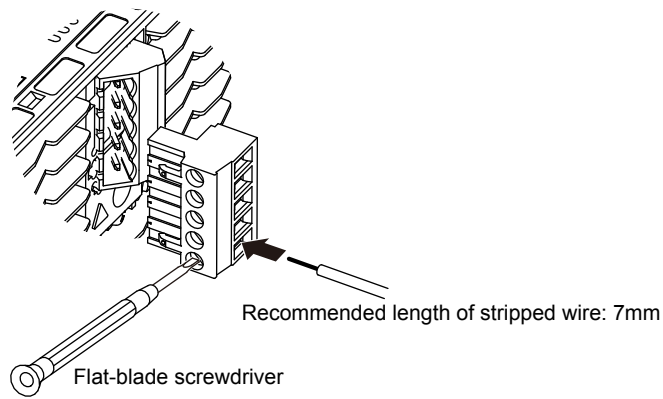
Terminal symbol above	(For Standard model) UT55A Suffix code: Type 2 = 1 or 2, and with optional suffix code /LP (For Detailed model) UT55A Optional suffix code: /AC4 or /LC4	(For Standard model) UT52A Suffix code: Type 2=1 (For Detailed model) UT52A Optional suffix code: /RCH1 or /LCH1
RSB (+)	501	301
RSA (-)	502	302
SG	503	303

17.4.16 PROFIBUS-DP Communication Interface Wiring

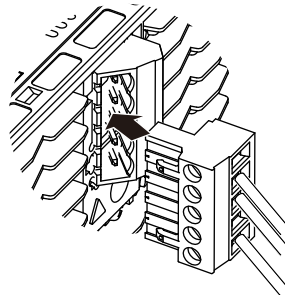
- (1) Remove the terminal block
Hold both ends of the terminal block and pull straight.



- (2) Connect the wires



- (3) Connect the terminal block
Hold both ends of the terminal block, align with the connector on the UT side, and push the terminal block into the connector.



Multiple wiring (multi-drop) of connector

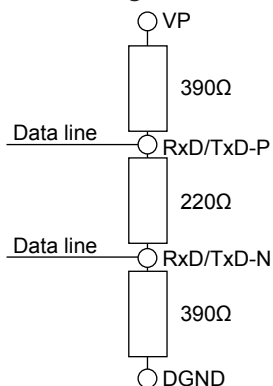
Multiple wiring of the UTAdvanced connector with other devices is possible within the following multi-wire connection capacity range.

Multi-wire connection capacity (Two wires with the same cross-sectional area)

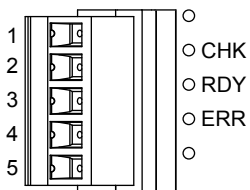
- Single wire 0.2 to 1.0 mm²/twisted wire 0.2 to 1.5 mm²
- Twisted wire with bar terminal (without plastic sleeve) 0.25 to 1.0 mm²
- Twisted wire with twin bar terminals (with plastic sleeve) 0.5 to 1.5 mm²

Number of Pin	Singnal name	Description
1	VP	+5V bus power
2	RxD/TxD-P	Data signal (positive data receive/transmit)
3	RxD/TxD-N	Data signal (negative data recive/transmit)
4	DGND	Signal ground
5	SHIELD	Shield ground

Terminating Resister of Bus



PROFIBUS-DP communication connector and LED



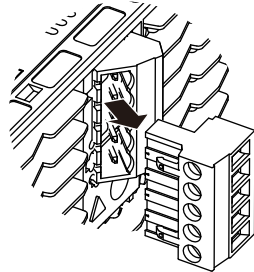
LED	Lit	Unlit
CHK (red)	User profile error	Normal
RDY (green)	Normal. Communicating successfully.	No electricity, or Communication failure
ERR (red)	Not connected, or communication failure (flashing)	Normal

Modbus master wiring

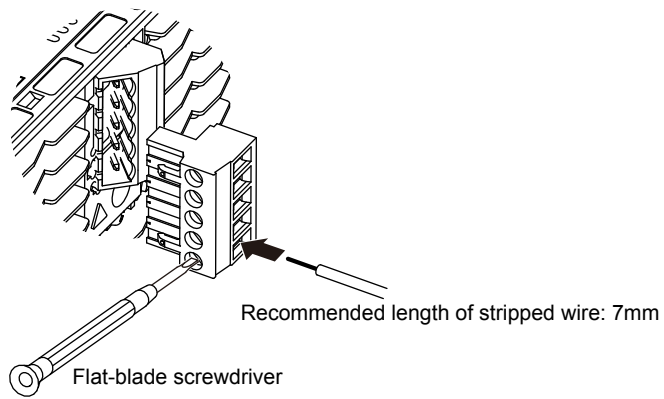
Modbus master wiring is same as RS-485 communication wiring for Ethernet-serial gateway function.

17.4.17 DeviceNet Communication Interface Wiring

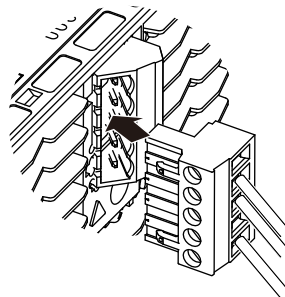
- (1) Remove the terminal block
Hold both ends of the terminal block and pull straight.



- (2) Connect the wires



- (3) Connect the terminal block
Hold both ends of the terminal block, align with the connector on the UT side, and push the terminal block into the connector.



Multiple wiring (multi-drop) of connector

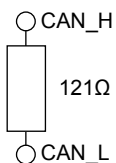
Multiple wiring of the UTAdvanced connector with other devices is possible within the following multi-wire connection capacity range.

Multi-wire connection capacity (Two wires with the same cross-sectional area)

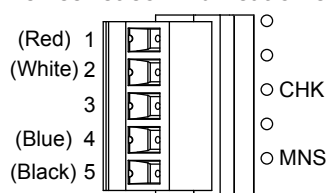
- Single wire 0.2 to 1.0 mm²/twisted wire 0.2 to 1.5 mm²
- Twisted wire with bar terminal (without plastic sleeve) 0.25 to 1.0 mm²
- Twisted wire with twin bar terminals (with plastic sleeve) 0.5 to 1.5 mm²

Number of Pin	Singnal name	Description
1	CAN_H	RX/TX + signal
2	CAN_L	RX/TX - signal
3	V+	Power supply 24V for DeviceNet
4	V-	Power supply COM for DeviceNet
5	DRAIN	Shield/drain

Terminating Resistor of Bus (both ends of the trunk line)



DeviceNet communication connector and LED



LED	Lit / flashing	Unlit
CHK (red)	User profile error	Normal
MNS (green/red)	Normal. Communicating successfully (green, lit). Not connected (green, flashing).	No electricity,
	Critical link failure (red, lit). Connection timeout (red, flashing)	
	At power-on/Communication faulted (green/red, flashing)	

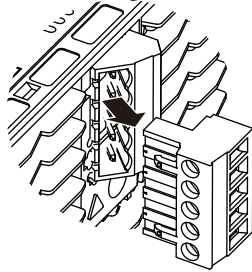
Modbus master wiring

Modbus master wiring is same as RS-485 communication wiring for Ethernet-serial gateway function.

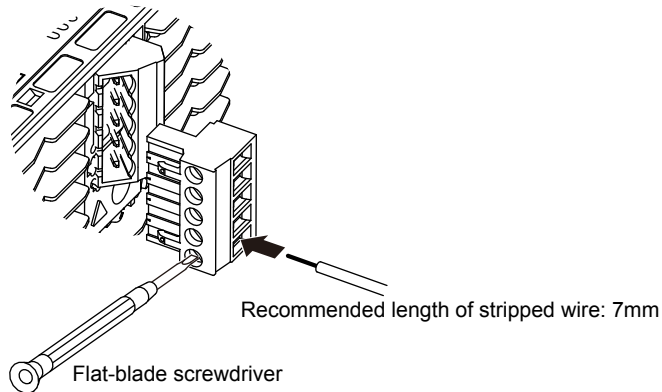
17.4.18 CC-Link Communication Interface Wiring

UT55A

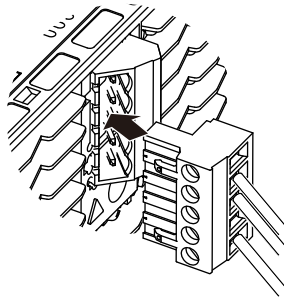
- (1) Remove the terminal block
Hold both ends of the terminal block and pull straight.



- (2) Connect the wires



- (3) Connect the terminal block
Hold both ends of the terminal block, align with the connector on the UT side, and push the terminal block into the connector.



Multiple wiring (multi-drop) of connector

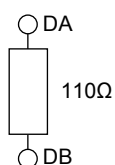
Multiple wiring of the UTAdvanced connector with other devices is possible within the following multi-wire connection capacity range.

Multi-wire connection capacity (Two wires with the same cross-sectional area)

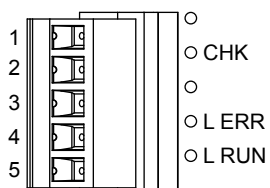
- Single wire 0.2 to 1.0 mm²/twisted wire 0.2 to 1.5 mm²
- Twisted wire with bar terminal (without plastic sleeve) 0.25 to 1.0 mm²
- Twisted wire with twin bar terminals (with plastic sleeve) 0.5 to 1.5 mm²

Number of Pin	Signal name	Description
1	FG	Frame ground
2	SLD	Shield
3	DG	TX/RX signal ground
4	DB	RX/TX - signal
5	DA	RS/TX + signal

Terminating Resistor of Bus (both ends of the trunk line)



CC-Link communication connector and LED



LED	Lit	Unlit
CHK (red)	User profile error / address error	Normal
L ERR (red)	Communication failure (CRC error)	Normal
L RUN (green)	Normal. Communicating successfully.	No carrier detected. / Connection timeout.

Note

Use FG as an exclusive ground. Be sure to ground using a low grounding resistance.

Modbus master wiring

Modbus master wiring is same as RS-485 communication wiring for Ethernet-serial gateway function.

Up to 32 UTAdvanced series controllers can be connected.

UT52A

Multiple wiring (multi-drop) of connector

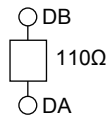
Multiple wiring of the UTAdvanced connector with other devices is possible within the following multi-wire connection capacity range.

Multi-wire connection capacity (Two wires with the same cross-sectional area)

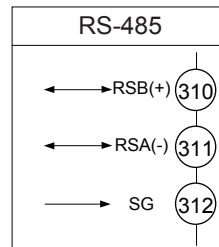
- Single wire 0.2 to 1.0 mm²/twisted wire 0.2 to 1.5 mm²
- Twisted wire with bar terminal (without plastic sleeve) 0.25 to 1.0 mm²
- Twisted wire with twin bar terminals (with plastic sleeve) 0.5 to 1.5 mm²

CC-L
(Suffix code 3=3)

If the UT is located at the end of a segment for the CC-Link communication wiring, terminating resistors are separately needed. These are to be prepared by users. (110 Ω: 1 pc.)



FG: Flame ground	301
SLD: Shield	302
DG: TX/RX signal ground	303
DB: RX/TX signal - signal	304
DA: RX/TX signal + signal	305
Not used	306
CHK(red) (Lit: User profile error/Adress error, Unlit: Normal)	307
L ERR(red) (Lit: Communication failure(CRC error), Unlit: Normal)	308
L RUN(green) (Lit: Normal, Unlit: No carrier detected/Communication timeout)	309



Up to 32 UTAdvanced series (Modbus/RTU slave) controllers can be connected.

Note

Use FG as an exclusive ground. Be sure to ground using a low grounding resistance.

Modbus master wiring

RS-485 communication wiring for the serial gateway function is as follows.

Up to 32 UTAdvanced series controllers can be connected.

17.4.19 Power Supply Wiring

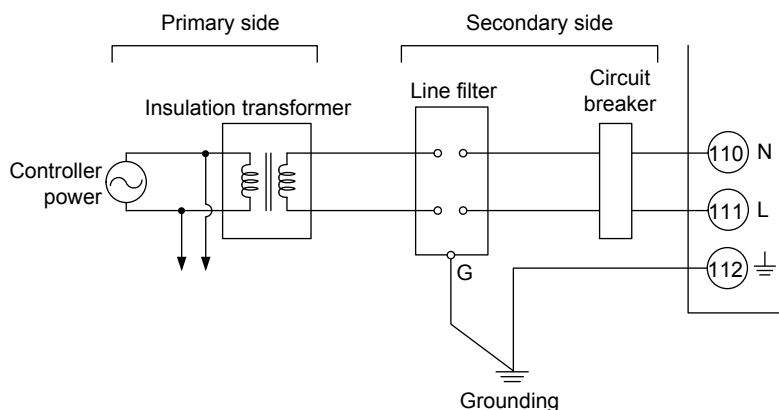


WARNING

- 1) Wiring work must be carried out by a person with basic electrical knowledge and practical experience.
- 2) Be sure to turn OFF the power supply to the controller before wiring to avoid an electric shock. Use a tester or similar device to ensure that no power is being supplied to a cable to be connected.
- 3) As a safety measure, always install a circuit breaker (an IEC 60947-compatible product, 5 A, 100 V or 220 V AC) in an easily accessible location near the instrument. Moreover, provide indication that the switch is a device for turning off the power to the instrument.
- 4) Install the power cable keeping a distance of more than 1 cm from other signal wires.
- 5) The power cable is required to meet the IEC standards concerned or the requirements of the area in which the instrument is being installed.
- 6) Wiring should be installed to conform to NEC (National Electrical Code: ANSI/NFPA-70) or the wiring construction standards in countries or regions where wiring will be installed.

CAUTION

- 1) Provide electricity from a single-phase power supply. If the power is noisy, install an isolation transformer on the primary side, and use a line filter on the secondary side. When measures against noise are taken, do not install the primary and secondary power cables close to each other.
- 2) If there is a risk of external lightning surges, use a lightning arrester etc.



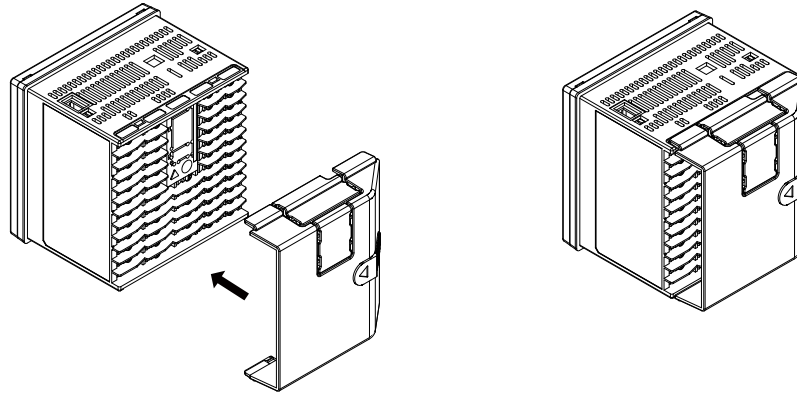
17.5 Attaching and Detaching Terminal Cover

After completing the wiring, the terminal cover is recommended to use for the instrument.

Attaching Method

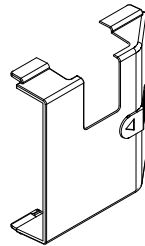
(1) Attach the terminal cover to the rear panel of the main unit horizontally.

(2) The following figure is a mounting image.



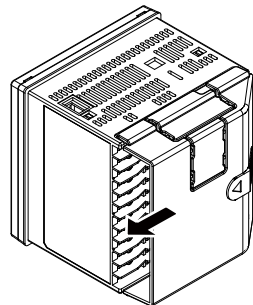
When Ethernet, PROFIBUS-DP, DeviceNet or CC-Link communication is specified, cut and use a terminal cover as follows.

Cut the cover carefully using nippers etc. so that sharp edge does not remain.



Detaching Method

(1) Slide the terminal cover to the direction of the printed arrow.



18.1 Parameter Map

Brief Description of Parameter Map

Group Display

"E1 to E4" and "1 to 8, R" appearing in the parameter map are displayed on Group display (7 segments, 2 digits) while the menu or parameter is displayed.

E1: indicates the parameter in E1-terminal area

E2: indicates the parameter in E2-terminal area

E3: indicates the parameter in E3-terminal area

E4: indicates the parameter in E4-terminal area

1 to 8, R: indicate the group numbers

► [E1 to E4: Terminal assignments in 17.4 Wiring](#)



Loop-2 Display

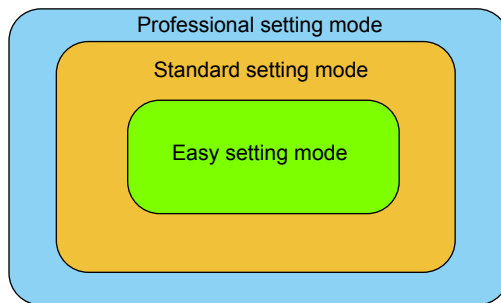
"LP2" appearing in the parameter map indicates that the LP2 lamp (green) is lit.

LP2: indicates that the parameter is for Loop 2. Loop 2 is used when the control mode is Cascade control.

Parameter Display Level

The marks below appearing next to the menu symbol and parameter symbol in the parameter map indicate the display/non-display level.

Mark	Display	Display level	Description
None	EASY	Easy setting mode: Displays the minimum parameters.	Corresponding parameters are displayed in all modes.
	STD	Standard setting mode: Displays a wider range of parameters than displayed in the Easy setting mode.	Corresponding parameters are displayed only in Standard setting mode and Professional setting mode. Parameter display level indicators "EASY" and "PRO" are unlit in Standard setting mode. *: "STD" is the symbol used in this manual only.
	PRO	Professional setting mode: Displays all parameters.	Corresponding parameters are displayed only in Professional setting mode.



► [Display level: 13.3.2 Setting Parameter Display Level](#)

UT55A/MDL, UT52A/MDL

The parameter display/non-display indications in this chapter applies when you use the LL50A Parameter Setting Software.

Function of Each Menu

Menu symbol	Function
MODE	Operation mode (STOP/RUN switch, REMOTE/LOCAL switch, Auto-tuning switch, SP number selection, etc.)

The parameters in the menu of the following table indicate the parameters to set the functions necessary for operation. The symbol in parentheses are shown on Group display.

Menu symbol	Function
CS	SELECT parameter
SP	SP and alarm setpoint
SPS	SP-related function
ALRM	Alarm function
PVS	PV-related function
PID	PID setting
TUNE	Super, Super 2, Sample PI control, non-linear PID control, Feedforward control, anti-reset windup, output velocity limiter, and manual preset output
ZONE	Zone control
SP (LP2)	SP and alarm setpoint (Loop 2)
SPS (LP2)	SP-related function (Loop 2)
ALRM (LP2)	Alarm function (Loop 2)
PVS (LP2)	PV-related function (Loop 2)
PID (LP2)	PID setting (Loop 2)
TUNE (LP2)	Super, Super 2, non-linear PID control, anti-reset windup, output velocity limiter, manual preset output (Loop 2)
ZONE (LP2)	Zone control (Loop 2)
PPAR	P parameter (for ladder program)
PYS1 (1)	10-segment linearizer 1
PYS2 (2)	10-segment linearizer 2
PYS3 (3)	10-segment linearizer 3
PYS4 (4)	10-segment linearizer 4

The parameters in the menu of the following table indicate the parameters to set the basic functions of the controller. The symbol in parentheses are shown on Group display.

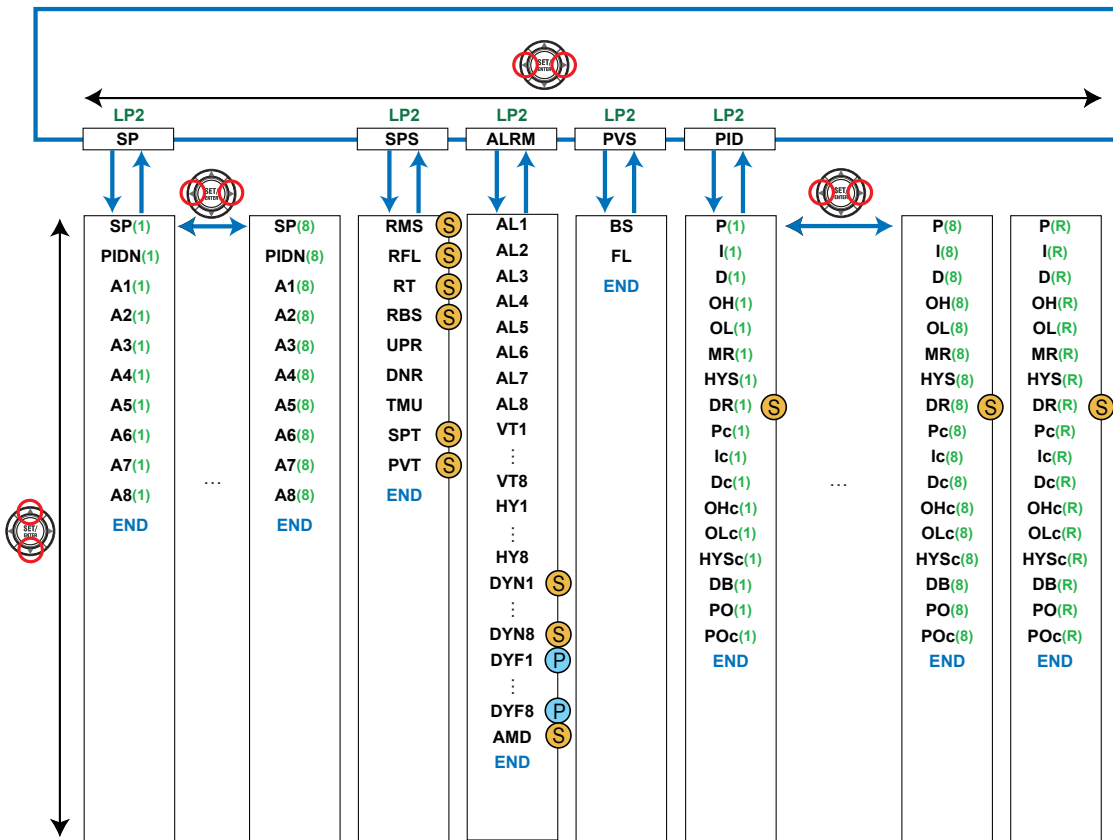
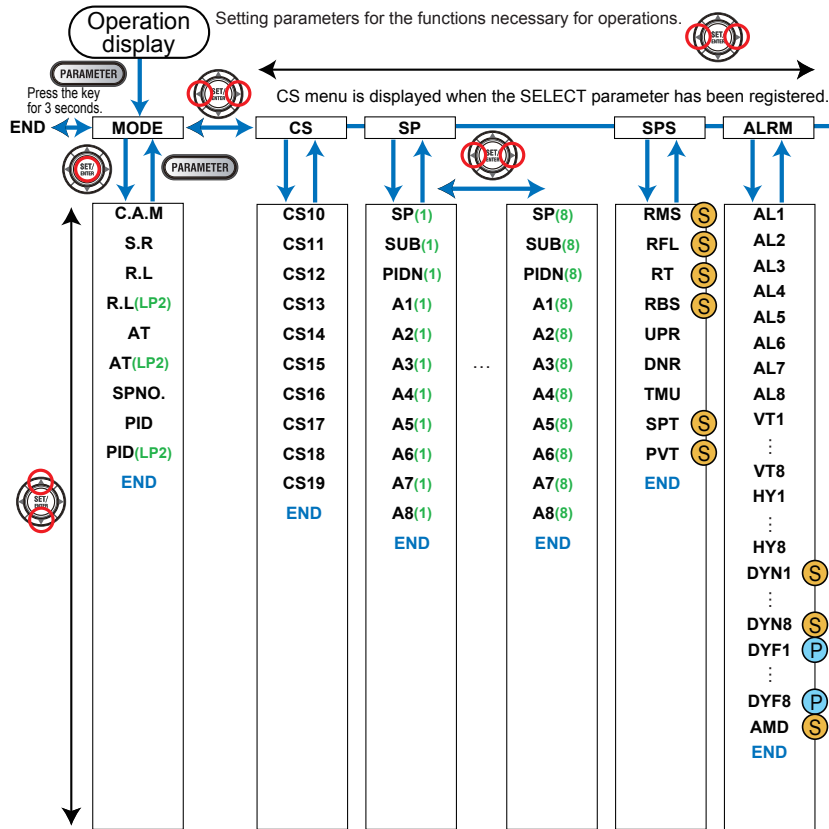
Menu symbol	Functions
PASS	Password setting (Displayed only when the password has been sent.) (excluding the /MDL option)
Menu symbol	Functions
CTL	Control mode, control type, sampling period, number of SP groups, number of PID groups, etc
PV	PV input type, range, scale, etc
RSP	RSP remote input type, scale, etc
AIN2	AIN2 aux. analog input type, scale, etc
AIN4	AIN4 aux. analog input type, scale, etc
MPV	Input function in Loop control with PV switching and Loop control with PV auto-selector, SP limiters, etc.
MPV (LP2)	Loop-2 input function, SP limiters (Loop 2), etc in Cascade control.
OUT	Control output type, valve position adjustment (excluding the /MDL option), retransmission output, etc.
HBA	Heater break alarm
R485 (E1)	RS-485 communication (E1-terminal area)
R485 (E3)	RS-485 communication (E3-terminal area)
R485 (E4)	RS-485 communication (E4-terminal area)
ETHR (E3)	Ethernet communication, gateway setting, IP access restriction, etc. (E3-terminal area)
PROF (E3)	PROFIBUS-DP communication (E3-terminal area)
DNET (E3)	DeviceNet communication (E3-terminal area)
CC-L (E1 or E3)	CC-Link communication (UT52A: E1-terminal area, UT55A: E3-terminal area)
KEY	Function of User function key (excluding the /MDL option)
DISP	Display functions (excluding the /MDL option)
CSEL	SELECT Display, SELECT parameter registration (excluding the /MDL option)
KLOC	Key lock (excluding the /MDL option)
MLOC	Parameter menu lock (excluding the /MDL option)
DI.SL	Contact input function
DI.NU	Contact input function (bit selection)
DI.D	Contact input type (equipped as standard)
DI.D (E1)	Contact input type (E1-terminal area)
DI.D (E2)	Contact input type (E2-terminal area) (excluding the /MDL option)
DI.D (E3)	Contact input type (E3-terminal area) (excluding the /MDL option)
DI.D (E4)	Contact input type (E4-terminal area)
ALM	Alarm output function, contact output type (equipped as standard)
DO (E1)	Contact output function, contact output type (E1-terminal area) (excluding the /MDL option)
DO (E2)	Contact output function, contact output type (E2-terminal area)
DO (E3)	Contact output function, contact output type (E3-terminal area) (excluding the /MDL option)
DO (E4)	Contact output function, contact output type (E4-terminal area) (excluding the /MDL option)
I/O	Input / output data display
SYS	Action setting when recovering from a power failure, guide display language, password setting, etc
INIT	Initialization of parameter
VER	Error status, version, MAC address, etc
LVL	Parameter display level

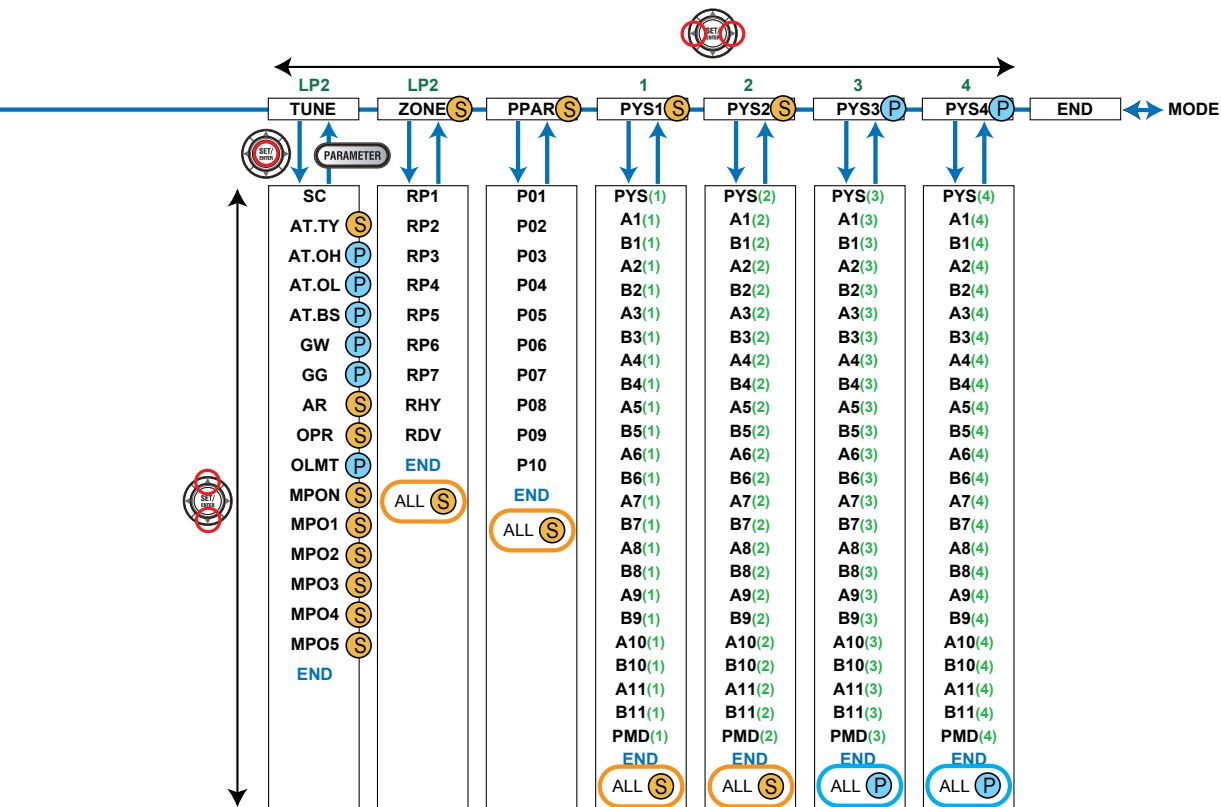
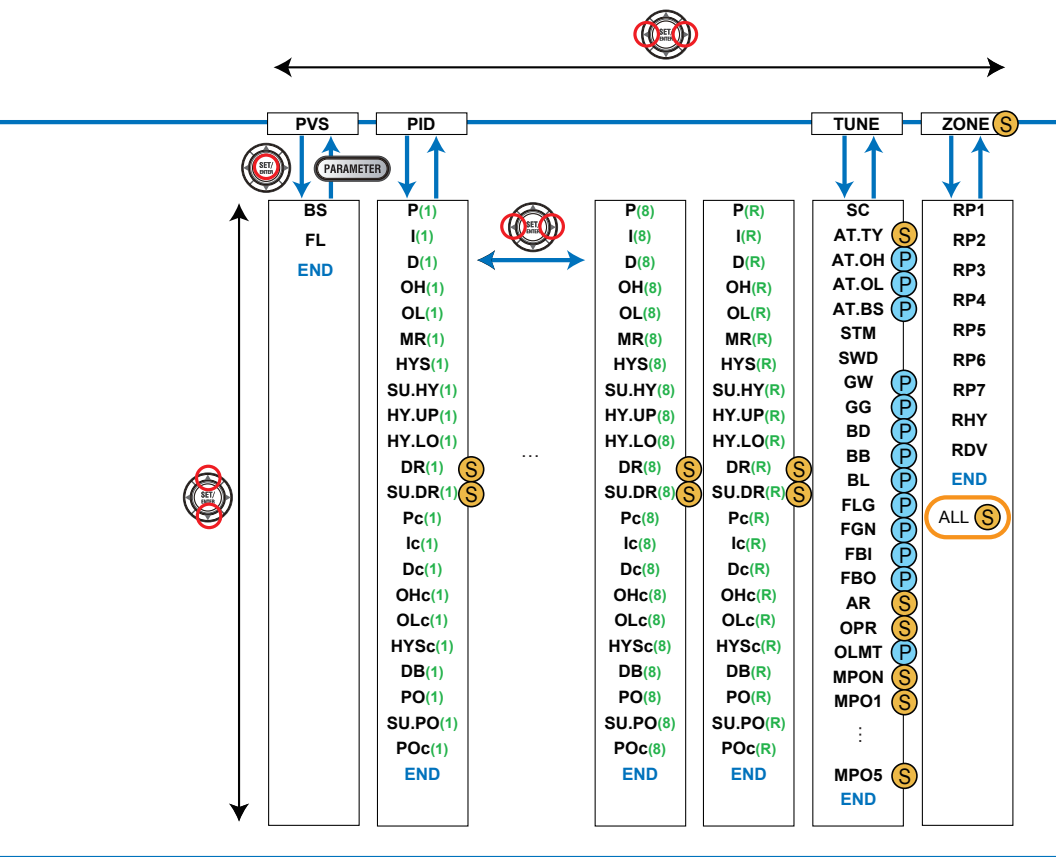
Note

Some parameters are not displayed according to the setting such as control mode, control type, or input and output.

18.1 Parameter Map

UT55A, UT52A Operating Parameter Map

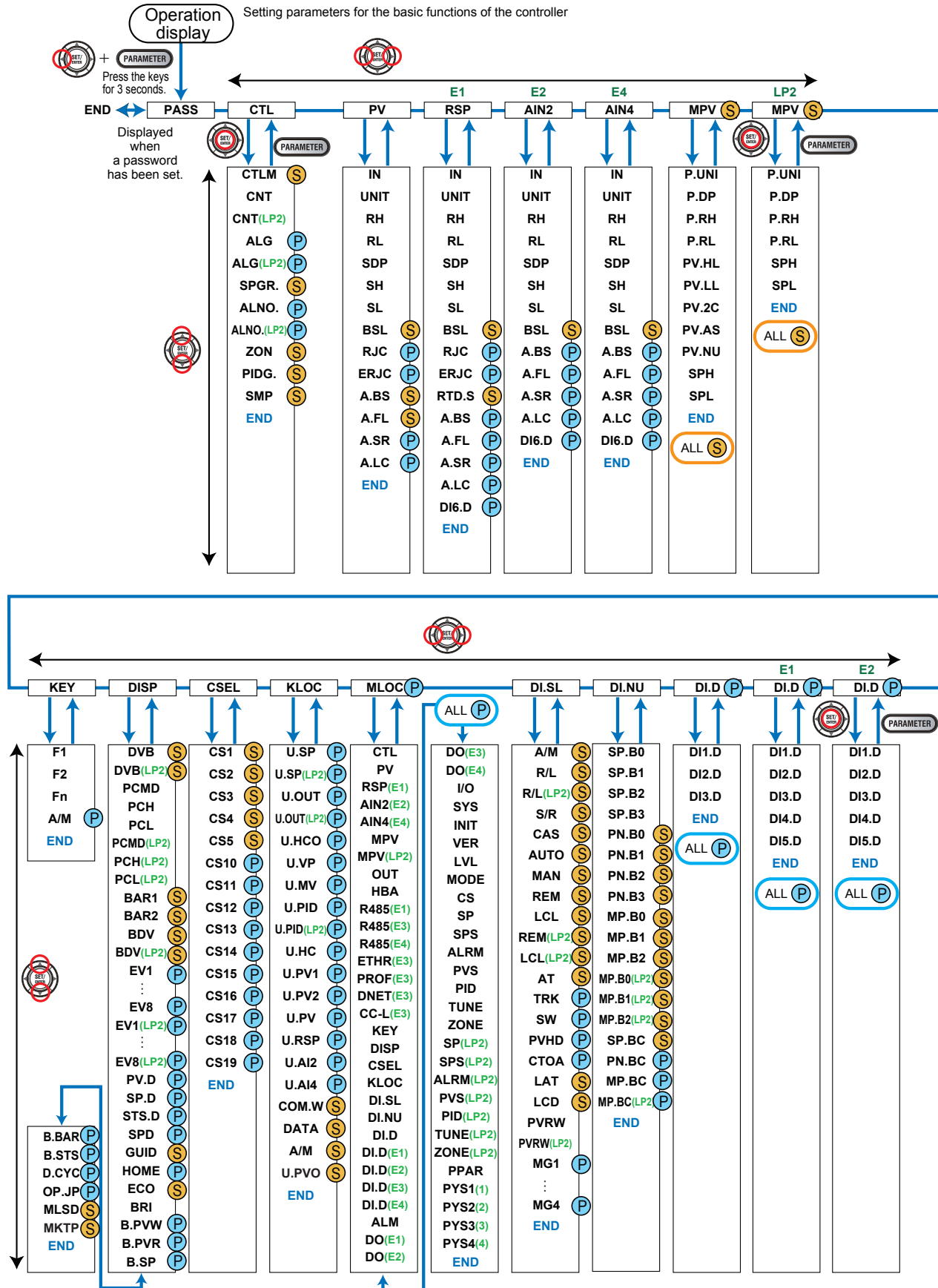


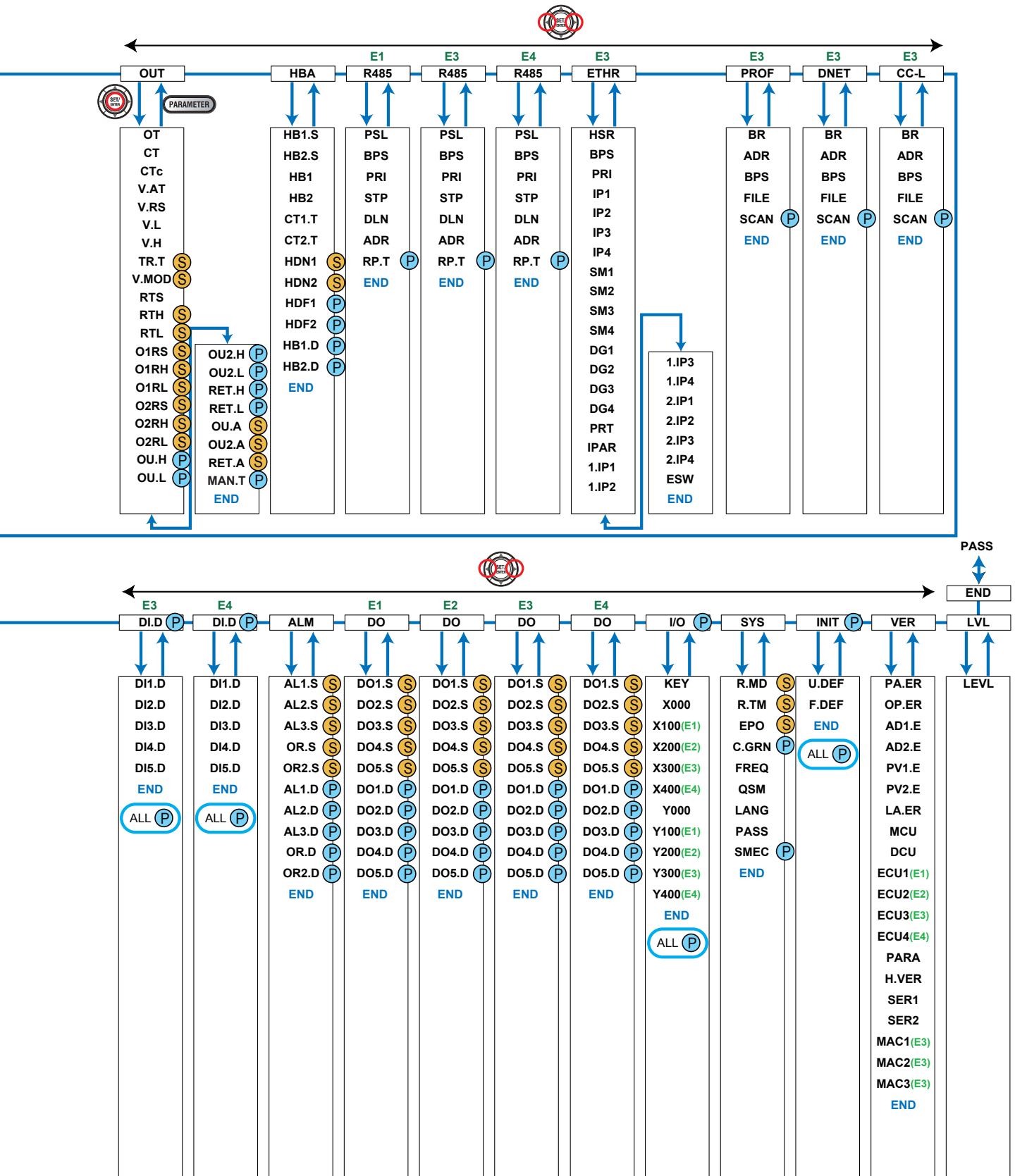


18.1 Parameter Map

UT55A, UT52A Setup Parameter Map

Setting parameters for the basic functions of the controller





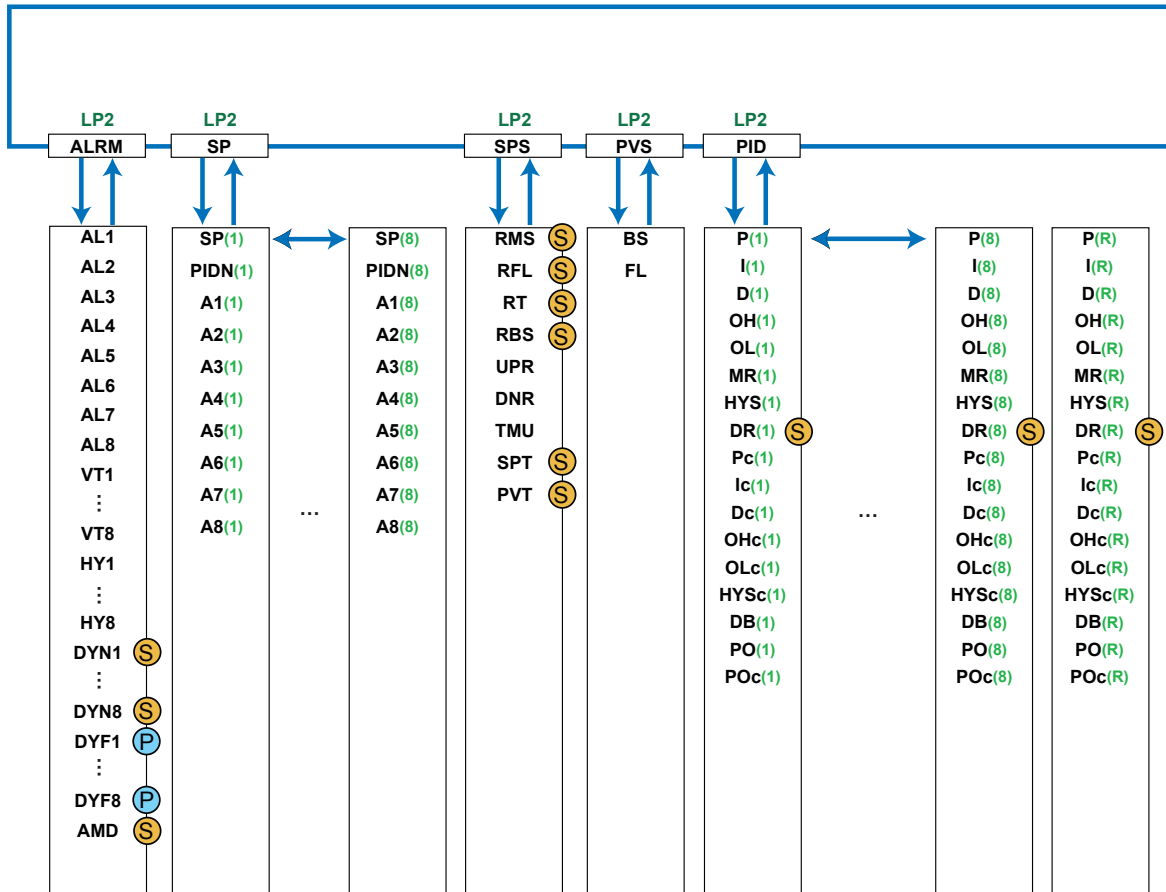
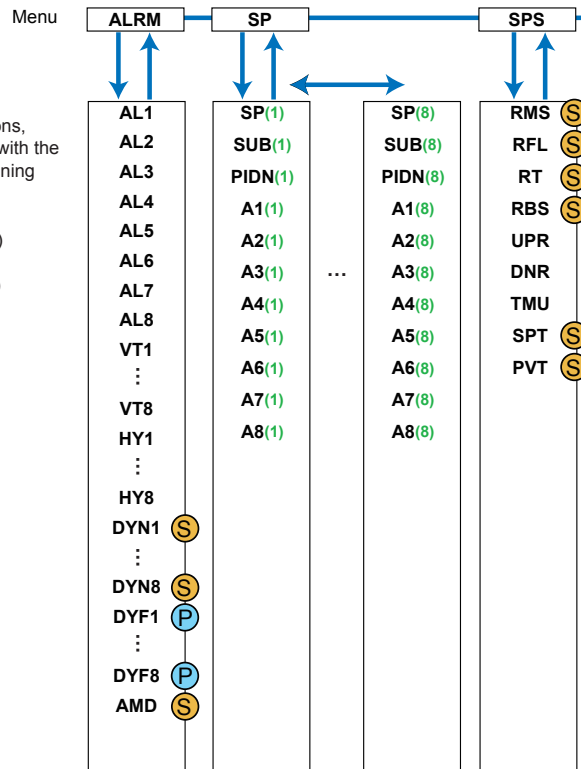
UT55A/MDL, UT52A/MDL Operating Parameter Map

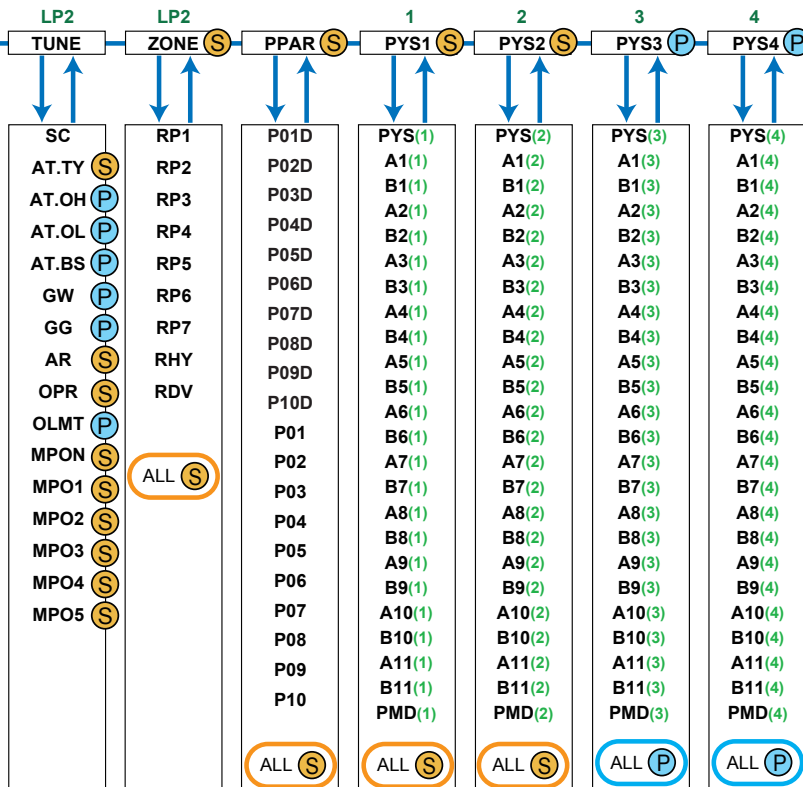
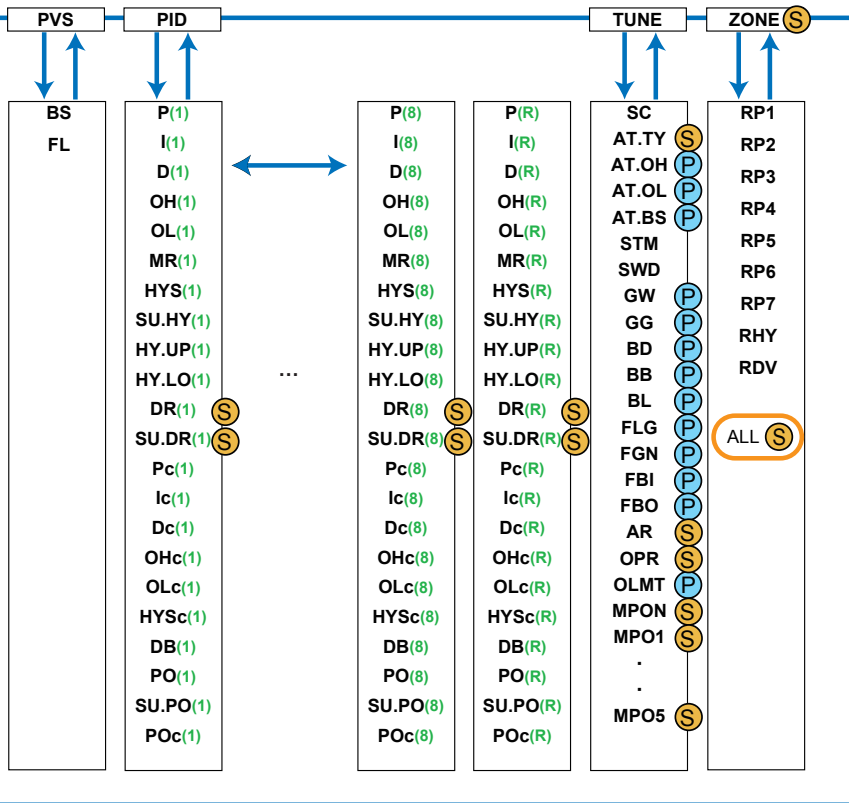
Setting parameters for the functions necessary for operations.

The parameters are displayed in the order they are set using the LL50A Parameter Setting Software.

To switch the following operations, establish an online connection with the controller and use the LL50A tuning window.

- STOP/RUN switch (S.R)
- REMOTE/LOCAL switch (R.L)
- AUTO-tuning switch (AT)
- SP number selection (SPNO.)
- PID number (PID)



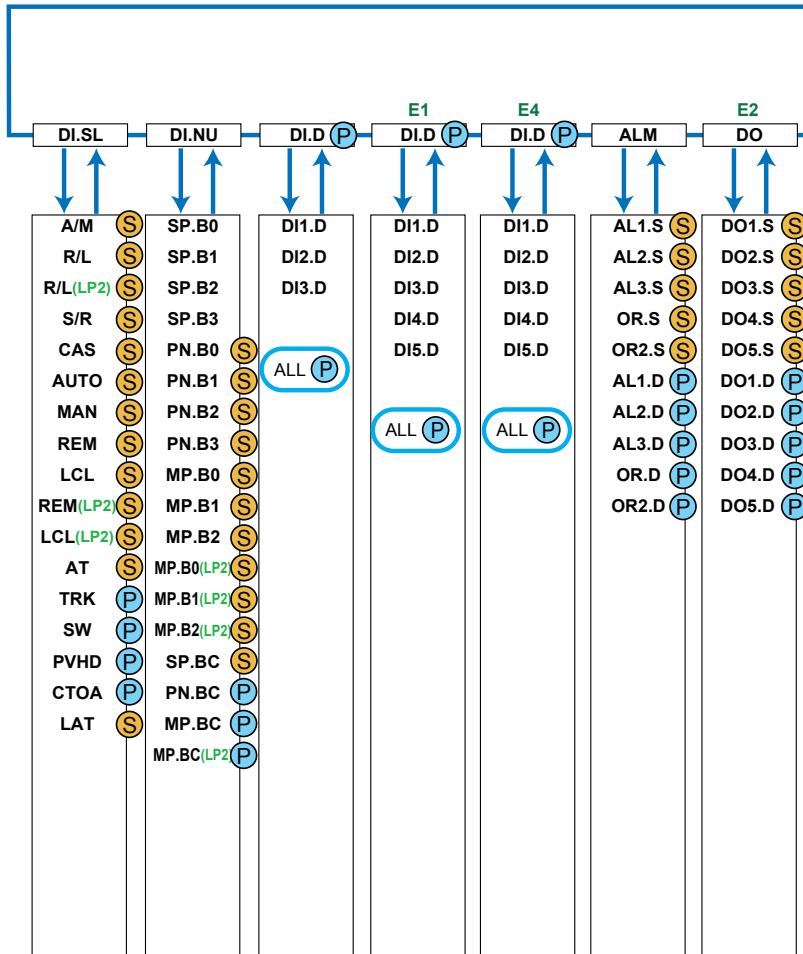
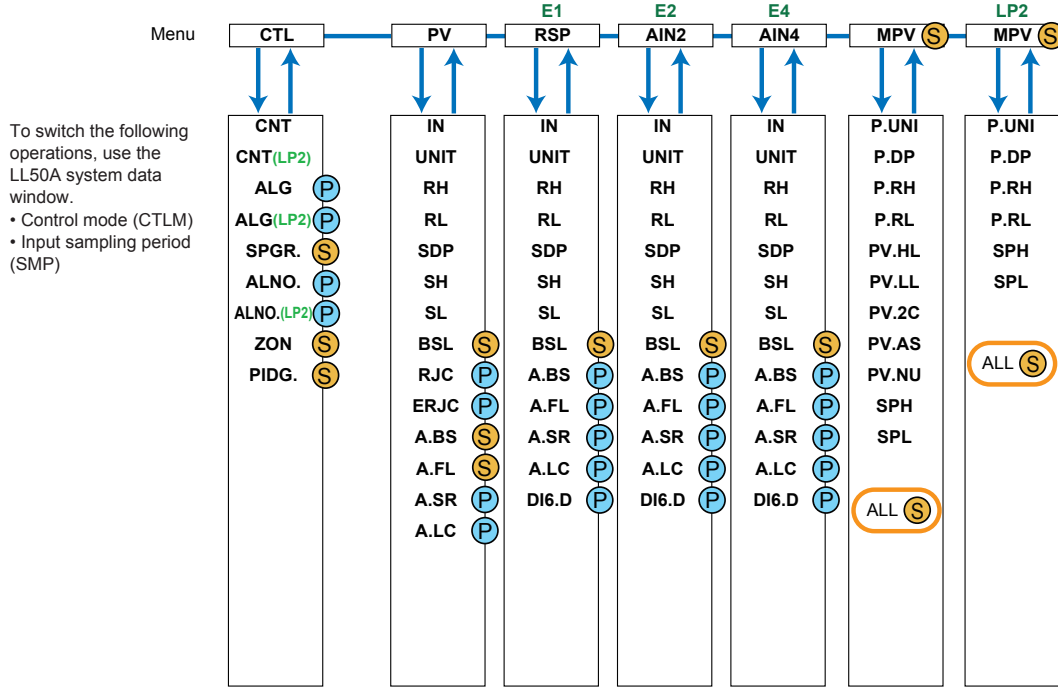


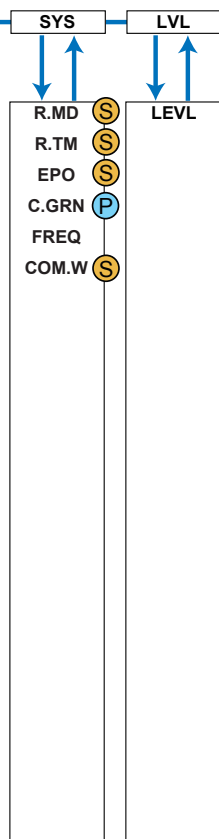
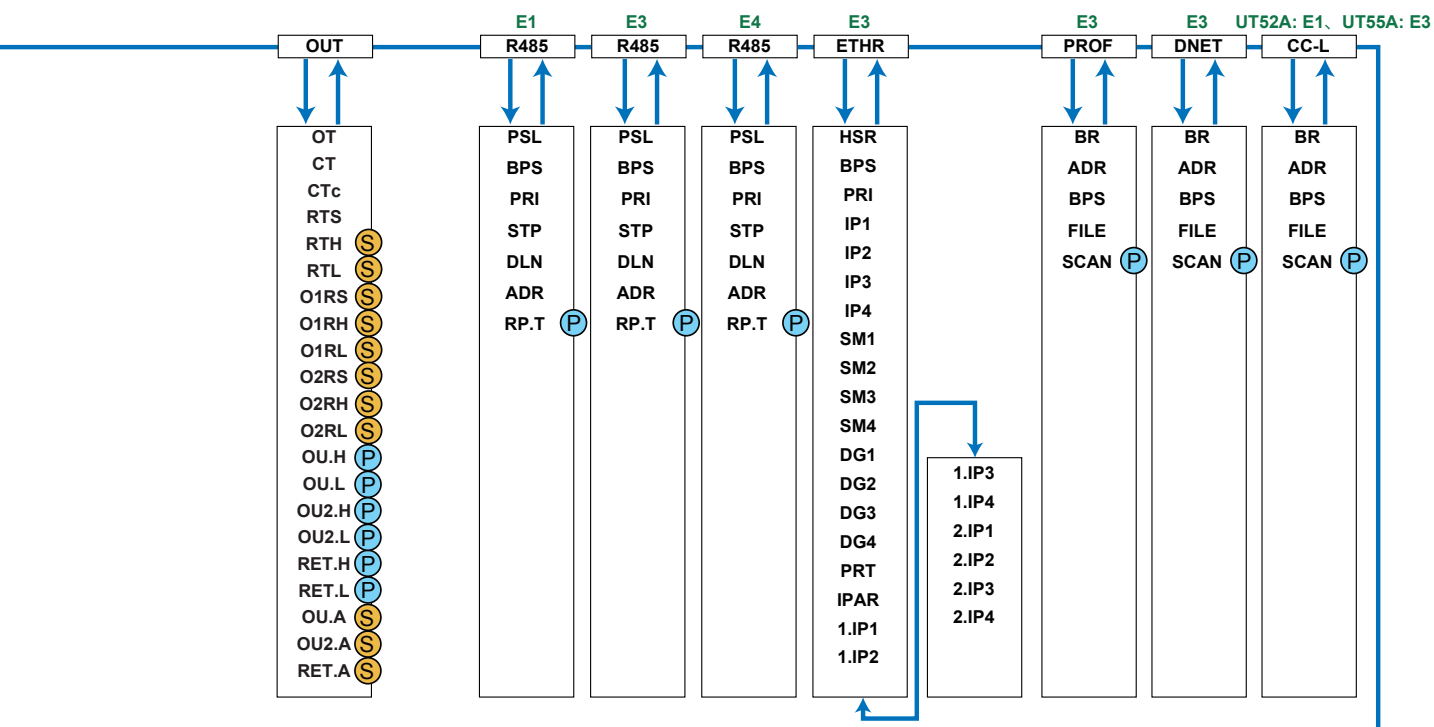
18.1 Parameter Map

UT55A/MDL, UT52A/MDL Setup Parameter Map

Setting parameters for the basic functions of the controller

The parameters are displayed in the order they are set using the LL50A Parameter Setting Software.





You can perform the following operations from the LL50A menu.

- User setting initialization
- Factory default initialization

You can view the following status by establishing an online connection with the controller and using the LL50A tuning window.

- Parameter error (Register no. 2068)
- Option error (Register no. 2070)
- A/D converter error 1 (Register no. 2001)
- A/D converter error 2 (Register no. 2065)
- Loop-1 PV input error (Register no. 2002)
- Loop-2 PV input error (Register no. 2018)
- Ladder error (Register no. 2012)

You can view and edit the following information on the LL50A system data window.

- MCU version
- DCU version
- ECU-1 version
- ECU-2 version
- ECU-3 version
- ECU-4 version
- Parameter version
- Product version

You can view the following information on the LL50A communication execution window.

- Serial number 1
- Serial number 2

You can view the following information on the product's nameplate.

- MAC address 1
- MAC address 2
- MAC address 3

18.2 List of Parameters

18.2.1 Operation Parameters

Operation Mode Menu (Menu: MODE)

Parameter symbol	Name	Display level	Setting range	Initial value	UT55A UT52A	UT55A/MDL UT52A/MDL
C.A.M	CAS/AUTO/MAN switch	EASY	CAS: Cascade mode AUTO: Automatic mode MAN: Manual mode * Parameter C.A.M is displayed when the control mode is Cascade control or Cascade secondary-loop control.	MAN	v	v (Note)
S.R	STOP/RUN switch	EASY	STOP: Stop mode RUN: Run mode Preset output (PO) is generated in STOP mode. Default: Not displayed. STOP/RUN switch is assigned to contact input.	RUN	v	v (Note)
R.L	REMOTE/LOCAL switch	EASY	LCL: Local mode REM: Remote mode Select a remote input method for acquiring the target setpoint from remote input or communication using the parameter RMS.	LCL	v	v (Note)
AT	Auto-tuning switch	EASY	OFF: Disable 1 to 8: Perform auto-tuning. Tuning result is stored in the specified numbered PID. R: Tuning result is stored in the PID for reference deviation.	OFF	v	v (Note)
SPNO.	SP number selection	EASY	1 to 8 (Depends on the setup parameter SPGR. setting.)	1	v	v (Note)
PID	PID number	EASY	The PID group number being selected is displayed. 1 to 8, R: PID group for reference deviation	1	v	v (Note)

In Cascade control, the following operation modes are also displayed for secondary loop. (the LP2 lamp is lit)

- Operation mode: R.L, AT, PID

v: Available

N/A: Not available

Note) To switch the following operations, establish an online connection with the controller and use the LL50A tuning window.

- STOP/RUN switch (S.R)
- REMOTE/LOCAL switch (R.L)
- AUTO-tuning switch (AT)
- SP number selection (SPNO.)
- PID number (PID)

SELECT Parameter Menu (Menu: CS)

Parameter symbol	Name	Display level	Setting range	Initial value	UT55A UT52A	UT55A/MDL UT52A/MDL
CS10 to CS19	SELECT parameter 10 to 19	EASY	Setting range of a registered parameter.	-	✓	N/A

SP and Alarm Setpoint Setting Menu (Menu: SP)

Parameter symbol	Name	Display level	Setting range	Initial value	UT55A UT52A	UT55A/MDL UT52A/MDL
SP	Target setpoint	EASY	0.0 to 100.0% of PV input range (EU) (Setting range: SPL to SPH)	SPL	✓	✓
SUB	Sub-target setpoint (in Two-position two-level control)	EASY	Set the offset from SP. -100.0 to 100.0% of PV input range span (EUS)	0.0 % of PV input range span	✓	✓
PIDN	PID number selection	EASY	1 to 8 (Depends on the PIDG. setting.)	Same as SP number.	✓	✓
A1 to A8	Alarm-1 to -8 setpoint	EASY	Set a display value of setpoint of PV alarm, SP alarm, deviation alarm, output alarm, or velocity alarm. -19999 to 30000 (Set a value within the input range.) Decimal point position depends on the input type.	0	✓	✓

In Cascade control, the following parameters are also displayed for secondary loop. (the LP2 lamp is lit)

- Parameter: SP, SUB, PIDN, A1 to A8

SP-related Setting Menu (Menu: SPS)

Parameter symbol	Name	Display level	Setting range	Initial value	UT55A UT52A	UT55A/MDL UT52A/MDL
RMS	Remote input method	STD	RSP: Via remote (aux. analog) input COM: Via communication	RSP	✓	✓
RFL	Remote input filter	STD	OFF, 1 to 120 s	OFF	✓	✓
RT	Remote input ratio	STD	0.001 to 9.999	1.000	✓	✓
RBS	Remote input bias	STD	-100.0 to 100.0% of PV input range span (EUS)	0.0 % of PV input range span	✓	✓
UPR	SP ramp-up rate	EASY	OFF, 0.0 + 1 digit to 100.0% of PV input range span (EUS)	OFF	✓	✓
DNR	SP ramp-down rate	EASY		OFF	✓	✓
TMU	SP ramp-rate time unit	EASY	HOUR: Ramp-up rate or ramp-down rate per hour MIN: Ramp-up rate or ramp-down rate per minute	HOUR	✓	✓
SPT	SP tracking selection	STD	OFF, ON	ON	✓	✓
PVT	PV tracking selection	STD	OFF, ON	OFF	✓	✓

In Cascade control, the following parameters are also displayed for secondary loop. (the LP2 lamp is lit)

- Parameter: RMS, RFL, RT, RBS, UPR, DNR, TMU, SPT, PVT

18.2 List of Parameters

Alarm Function Setting Menu (Menu: ALRM)

Parameter symbol	Name	Display level	Setting range	Initial value	UT55A UT52A	UT55A/MDL UT52A/MDL
AL1 to AL8	Alarm-1 to -8 type	EASY	<p>Set a 5-digit value in the following order. [Latch action (0/1/2/3/4)] + [Energized (0) or De-energized (1)] + [Without (0) or With (1) Stand-by action] + [Alarm type: 2 digits (see below)] For latch action, see chapter 11.</p> <p>Alarm type: 2 digits 00: Disable 01: PV high limit 02: PV low limit 03: SP high limit 04: SP low limit 05: Deviation high limit 06: Deviation low limit 07: Deviation high and low limits 08: Deviation within high and low limits 09: Target SP high limit 10: Target SP low limit 11: Target SP deviation high limit 12: Target SP deviation low limit 13: Target SP deviation high and low limits 14: Target SP deviation within high and low limits 15: OUT high limit 16: OUT low limit 17: Cooling-side OUT high limit 18: Cooling-side OUT low limit 19: Analog input PV high limit 20: Analog input PV low limit 21: Analog input RSP high limit 22: Analog input RSP low limit 23: Analog input AIN2 high limit 24: Analog input AIN2 low limit 25: Analog input AIN4 high limit 26: Analog input AIN4 low limit 27: Feedback input high limit 28: Feedback input low limit 29: PV velocity 30: Fault diagnosis 31: FAIL 32: Deviation(%) high limit 33: Deviation(%) low limit 34: Deviation(%) high and low limits 35: Deviation(%) within high and low limits 36: Target SP deviation(%) high limit 37: Target SP deviation(%) low limit 38: Target SP deviation(%) high and low limits 39: Target SP deviation(%) within high and low limits</p>	<p>AL1, AL3, AL5, AL7: Latch action (0) Energized (0) Without Stand-by action (0) PV high limit (01)</p> <p>AL2, AL4, AL6, AL8: Latch action (0) Energized (0) Without Stand-by action (0) PV low limit (02)</p>	<p>✓</p>	<p>✓ (Excluding alarm type 27 and 28.)</p>

In Cascade control, the following parameters are also displayed for secondary loop. (the LP2 lamp is lit)
 • Parameter: AL1 to AL8

Alarm Function Setting Menu (Menu: ALRM) (Continued from previous page)

Parameter symbol	Name	Display level	Setting range	Initial value	UT55A UT52A	UT55A/MDL UT52A/MDL
VT1 to VT8	PV velocity alarm time setpoint 1 to 8	EASY	0.01 to 99.59 (minute.second)	1.00	✓	✓
HY1 to HY8	Alarm-1 to -8 hysteresis	EASY	Set a display value of setpoint of hysteresis. -19999 to 30000 (Set a value within the input range.) Decimal point position depends on the input type. When the decimal point position for the input type is set to "1", the initial value of the hysteresis is "1.0".	10	✓	✓
DYN1 to DYN8	Alarm-1 to -8 On-delay timer	STD	0.00 to 99.59 (minute.second)	0.00	✓	✓
DYF1 to DYF8	Alarm-1 to -8 Off-delay timer	PRO		0.00	✓	✓
AMD	Alarm mode	STD	0: Always active 1: Not active in STOP mode 2: Not active in STOP or MAN mode	0	✓	✓

In Cascade control, the following parameters are also displayed for secondary loop. (the LP2 lamp is lit)

• Parameter: VT1 to VT8 HY1 to HY8, DYN1 to DYN8, DYF1 to DYF8, AMD

PV-related Setting Menu (Menu: PVS)

Parameter symbol	Name	Display level	Setting range	Initial value	UT55A UT52A	UT55A/MDL UT52A/MDL
BS	PV input bias	EASY	-100.0 to 100.0% of PV input range span (EUS)	0.0 % of PV input range span	✓	✓
FL	PV input filter	EASY	OFF, 1 to 120 s	OFF	✓	✓

In Cascade control, the following parameters are also displayed for secondary loop. (the LP2 lamp is lit)

Parameter: BS, FL

18.2 List of Parameters

PID Setting Menu (Menu: PID)

Parameter symbol	Name	Display level	Setting range	Initial value	UT55A UT52A	UT55A/MDL UT52A/MDL
P	Proportional band Heating-side proportional band (in Heating/cooling control)	EASY	0.0 to 999.9% When 0.0% is set, it operates as 0.1%. Heating-side ON/OFF control applies when 0.0% in Heating/ cooling control	5.0%	v	v
I	Integral time Heating-side integral time (in Heating/cooling control)	EASY	OFF: Disable 1 to 6000 s	240 s	v	v
D	Derivative time Heating-side derivative time (in Heating/cooling control)	EASY	OFF: Disable 1 to 6000 s	60 s	v	v
OH	Control output high limit Heating-side control output high limit (in Heating/cooling control)	EASY	-4.9 to 105.0%, (OL<OH) In Heating/cooling control: 0.1 to 105.0% (OL<OH)	100.0%	v	v
OL	Control output low limit Heating-side control output low limit (in Heating/cooling control)	EASY	-5.0 to 104.9%, (OL<OH), SD: Tight shut In Heating/cooling control: 0.0 to 104.9% (OL<OH)	0.0%	v	v
MR	Manual reset	EASY	Enabled when integral time is OFF. The manual reset value equals the output value when PV = SP. -5.0 to 105.0%	50.0%	v	v
HYS	Hysteresis (in ON/OFF control, Position proportional control, or Two-position two- level control) Heating-side ON/OFF control hysteresis (in Heating/cooling control)	EASY	In ON/OFF control or Two-position two-level control: 0.0 to 100.0% of PV input range span (EUS) In Heating/cooling control or Position proportional control: 0.0 to 100.0%	In ON/OFF control or Two- position two- level control: 0.5 % of PV input range span In Heating/ cooling control or Position proportional control: 0.5 %	v	v (Excluding Position proportional control.)

In Cascade control, the following parameters are also displayed for secondary loop. (the LP2 lamp is lit)

- Parameter: P, I, D, OH, OL, MR, HYS

PID Setting Menu (Menu: PID) (Continued from previous page)

Parameter symbol	Name	Display level	Setting range	Initial value	UT55A UT52A	UT55A/MDL UT52A/MDL
SU.HY	Sub-hysteresis (in Two-position two-level control)	EASY	0.0 to 100.0% of PV input range span (EUS)	0.5 % of PV input range span	✓	✓
HY.UP	Upper-side hysteresis (in ON/OFF control)	EASY	0.0 to 100.0% of PV input range span (EUS)	0.5 % of PV input range span	✓	✓
HY.LO	Lower-side hysteresis (in ON/OFF control)	EASY		0.5 % of PV input range span	✓	✓
DR	Direct/reverse action switch	STD	RVS: Reverse action, DIR: Direct action	RVS	✓	✓
SU.DR	Sub-direct/reverse action switch (in Two-position two-level control)	STD		DIR	✓	✓
Pc	Cooling-side proportional band	EASY	0.0 to 999.9% (Cooling-side ON/OFF control applies when 0.0% in Heating/cooling control)	5.0%	✓	✓
Ic	Cooling-side integral time	EASY	OFF: Disable 1 to 6000 s	240 s	✓	✓
Dc	Cooling-side derivative time	EASY	OFF: Disable 1 to 6000 s	60 s	✓	✓
OHc	Cooling-side control output high limit	EASY	0.1 to 105.0%, (OLc<OHc)	100.0%	✓	✓
OLc	Cooling-side control output low limit	EASY	0.0 to 104.9%, (OLc<OHc)	0.0%	✓	✓
HYSc	Cooling-side ON/OFF control hysteresis	EASY	0.0 to 100.0%	0.5%	✓	✓
DB	Output dead band (in Heating/cooling control or Position proportional control)	EASY	In Heating/cooling control: -100.0 to 50.0% In Position proportional control: 1.0 to 10.0%	3.0%	✓	✓
PO	Preset output Heating-side preset output (in Heating/cooling control)	EASY	-5.0 to 105.0%	0.0%	✓	✓
SU.PO	Sub-preset output (in Two-position two-level control)	EASY	0%, 100%	0%	✓	✓
POc	Cooling-side preset output	EASY	-5.0 to 105.0%	0.0%	✓	✓

In Cascade control, the following parameters are also displayed for secondary loop. (the LP2 lamp is lit)

• Parameter: DR, Pc, Ic, Dc, OHc, OLc, HYSc, DB, PO, POc

18.2 List of Parameters

Tuning Menu (Menu: TUNE)

Parameter symbol	Name	Display level	Setting range	Initial value	UT55A UT52A	UT55A/MDL UT52A/MDL
SC	Super function	EASY	OFF: Disable 1: Overshoot suppressing function (normal mode) 2: Hunting suppressing function (stable mode) Enables to answer the wider characteristic changes compared with response mode. 3: Hunting suppressing function (response mode) Enables quick follow-up and short converging time of PV for the changed SP. 4: Overshoot suppressing function (strong suppressing mode)	OFF	✓	✓
AT.TY	Auto-tuning type	STD	0: Normal 1: Stability	0	✓	✓
AT.OH	Output high limit in auto-tuning	PRO	-5.0 to 105.0% (Disabled in Heating/cooling control)	100.0%	✓	✓
AT.OL	Output low limit in auto-tuning	PRO		0.0%	✓	✓
AT.BS	SP bias in auto-tuning	PRO	-100.0 to 100.0% of PV input range span (EUS)	0.0 % of PV input range span	✓	✓
STM	Sample PI sampled time	EASY	0 to 9999 s	60 s	✓	✓
SWD	Sample PI control time span	EASY	0 to 9999 s	30 s	✓	✓
GW	Non-linear control gap width	PRO	OFF, 0.0%+1digit to 50.0% of PV input range span (EUS)	OFF	✓	✓
GG	Non-linear control gain	PRO	0.001 to 1.000	1.000	✓	✓
BD	Batch PID deviation setpoint	PRO	0.0 to 100.0% of PV input range span (EUS)	0.0% of PV input range span	✓	✓
BB	Batch PID bias	PRO	0.0 to 100.0%	0.0%	✓	✓
BL	Batch PID lock-up width	PRO	0.0 to 100.0% of PV input range span (EUS)	0.0% of PV input range span	✓	✓
FLG	Feedforward first-order lag time constant	PRO	OFF, 1 to 120 s	OFF	✓	✓
FGN	Feedforward gain	PRO	-9.999 to 9.999	1.000	✓	✓
FBI	Feedforward input bias	PRO	-100.0 to 100.0%	0.0%	✓	✓
FBO	Feedforward output bias	PRO	-999.9 to 999.9%	0.0%	✓	✓
AR	Anti-reset windup (excess integration prevention)	STD	AUTO, 50.0 to 200.0%	AUTO	✓	✓
OPR	Output velocity limiter	STD	OFF: Disable 0.1 to 100.0%/s	OFF	✓	✓
OLMT	Output limiter switch	PRO	OFF: Disable output limiter in MAN mode ON: Enable output limiter in MAN mode	ON	✓	✓

In Cascade control, the following parameters are also displayed for secondary loop. (the LP2 lamp is lit)

• Parameter: SC, AT.TY, AT.OH, AT.OL, AT.BS, GW, GG, AR, OPR, OLMT

Tuning Menu (Menu: TUNE) (Continued from previous page)

Parameter symbol	Name	Display level	Setting range	Initial value	UT55A UT52A	UT55A/MDL UT52A/MDL
MPON	Manual preset output number selection	STD	OFF: Hold the control output in AUTO mode (bumpless) 1: Use manual preset output 1 (output bump) 2: Use manual preset output 2 (output bump) 3: Use manual preset output 3 (output bump) 4: Use manual preset output 4 (output bump) 5: Use manual preset output 5 (output bump)	OFF	✓	✓
MPO1 to MPO5	Manual preset output 1 to 5	STD	-5.0 to 105.0%	0.0%	✓	✓

In Cascade control, the following parameters are also displayed for secondary loop. (the LP2 lamp is lit)

• Parameter: MPON, MPO1 to MPO5

Zone Control Menu (Menu: ZONE)

Parameter symbol	Name	Display level	Setting range	Initial value	UT55A UT52A	UT55A/MDL UT52A/MDL
RP1 to RP7	Reference point 1 to 7	STD	0.0 to 100.0% of PV input range (EU) ($RP1 \leq RP2 \leq RP3 \leq RP4 \leq RP5 \leq RP6 \leq RP7$)	100.0 % of PV input range	✓	✓
RHY	Zone PID switching hysteresis	STD	0.0 to 10.0% of PV input range span (EUS)	0.5 % of PV input range span	✓	✓
RDV	Reference deviation	STD	OFF: Disable 0.0 + 1 digit to 100.0% of PV input range span (EUS)	OFF	✓	✓

In Cascade control, the following parameters are also displayed for secondary loop. (the LP2 lamp is lit)

• Parameter: RP1 to RP7, RHY, RDV

P Parameter Menu (Menu: PPAR)

Parameter symbol	Name	Display level	Setting range	Initial value	UT55A UT52A	UT55A/MDL UT52A/MDL
P01 to P10	P01 to P10 parameter	STD	-19999 to 30000 (Set a decimal point position using LL50A Parameter Setting Software.)	0	✓	✓

18.2 List of Parameters

10-segment Linearizer Setting Menu (Menu: PYS1 to PYS4)

Parameter symbol	Name	Display level	Setting range	Initial value	UT55A UT52A	UT55A/MDL UT52A/MDL
PYS	10-segment linearizer selection	Group 1, 2: STD Group 3, 4: PRO	OFF: Disable PV: PV analog input RSP: RSP analog input AIN2: AIN2 analog input AIN4: AIN4 analog input PVIN: PV input OUT: OUT analog output OUT2: OUT2 analog output RET: RET analog output	PV (CTLM: SGL)	v	v
A1 to A11	10-segment linearizer input 1 to 11	Group 1, 2: STD Group 3, 4: PRO	-66.7 to 105.0% of input range (EU) Output linearizer: -5.0 to 105.0%	0.0%	v	v
B1 to B11	10-segment linearizer output 1 to 11	Group 1, 2: STD Group 3, 4: PRO	10-segment linearizer bias: -66.7 to 105.0% of input range span (EUS) 10-segment linearizer approximation: -66.7 to 105.0% of input range (EU) Output linearizer: -5.0 to 105.0%	0.0%	v	v
PMD	10-segment linearizer mode	Group 1, 2: STD Group 3, 4: PRO	0: 10-segment linearizer bias 1: 10-segment linearizer approximation	0	v	v

10-segment linearizer parameters are four groups, the group number (1 to 4) is displayed on Group display.

Initial value of each control mode

Control mode	Group-1 PYS	Goup-2 PYS	Group-3 and -4 PYS
Single-loop control	PV	OFF	OFF
Cascade primary-loop control	PV	OFF	OFF
Cascade secondary-loop control	PV	OFF	OFF
Cascade control	PV	RSP	OFF
Loop control for backup	PV	OFF	OFF
Loop control with PV switching	PV	OFF	OFF
Loop control with PV auto-selector	PVIN	OFF	OFF
Loop control with PV-hold function	PV	OFF	OFF

18.2.2 Setup Parameters

Control Function Setting Menu (Menu: CTL)

Parameter symbol	Name	Display level	Setting range	Initial value	UT55A UT52A	UT55A/MDL UT52A/MDL
CTLM	Control mode	STD	SGL: Single-loop control CAS1: Cascade primary-loop control CAS2: Cascade secondary-loop control CAS: Cascade control BUM: Loop control for backup PVSW: Loop control with PV switching PVSEL: Loop control with PV auto-selector PVHD: Loop control with PV-hold function * When using the ladder program, the control mode cannot be changed.	SGL	✓	✓ (Note 1)
CNT	Control type	EASY	PID: PID control ONOF: ON/OFF control (1 point of hysteresis) ONOF2: ON/OFF control (2 points of hysteresis) 2P2L: Two-position two-level control H/C: Heating/cooling control S-PI: Sample PI control BATCH: Batch PID control FFPID: Feedforward control	Standard type: PID Heating/cooling type: H/C	✓	✓
ALG	PID control mode	PRO	0: Standard PID control mode 1: Fixed-point control mode	0	✓	✓
SPGR.	Number of SP groups	STD	1 to 8	8	✓	✓
ALNO.	Number of alarms	PRO	0 to 8	4	✓	✓
ZON	Zone PID selection	STD	0: SP group number selection 1 1: Zone PID selection (selection by PV) 2: Zone PID selection (selection by target SP) 3: SP group number selection 2 4: Zone PID selection (selection by SP)	0	✓	✓
PIDG.	Number of PID groups	STD	1 to 8	8	✓	✓
SMP	Input sampling period (control period)	STD	50: 50 ms (Note 2) 100: 100 ms 200: 200 ms	100	✓	✓ (Note 1)

In Cascade control, the following parameters are also displayed for secondary loop. (the LP2 lamp is lit)

• Parameter: CNT, ALG, ALNO.

The parameter CNT of Loop 2 displays PID and H/C.

Note 1: To switch the following operations, use the LL50A system data window.

- Control mode (CTLM)
- Input sampling period(SMP)

Note 2: Available when the control mode is not Cascade control (CTLM≠CAS) and the following functions are not used: "SUPER" function, "SUPER 2" function.

18.2 List of Parameters

PV Input Setting Menu (Menu: PV)

Parameter symbol	Name	Display level	Setting range	Initial value	UT55A UT52A	UT55A/MDL UT52A/MDL
IN	PV input type	EASY	OFF: Disable K1: -270.0 to 1370.0 (°C) / -450.0 to 2500.0 (°F) K2: -270.0 to 1000.0 (°C) / -450.0 to 2300.0 (°F) K3: -200.0 to 500.0 (°C) / -200.0 to 1000.0 (°F) J: -200.0 to 1200.0 (°C) / -300.0 to 2300.0 (°F) T1: -270.0 to 400.0 (°C) / -450.0 to 750.0 (°F) T2: 0.0 to 400.0 (°C) / -200.0 to 750.0 (°F) B: 0.0 to 1800.0 (°C) / 32 to 3300 (°F) S: 0.0 to 1700.0 (°C) / 32 to 3100 (°F) R: 0.0 to 1700.0 (°C) / 32 to 3100 (°F) N: -200.0 to 1300.0 (°C) / -300.0 to 2400.0 (°F) E: -270.0 to 1000.0 (°C) / -450.0 to 1800.0 (°F) L: -200.0 to 900.0 (°C) / -300.0 to 1600.0 (°F) U1: -200.0 to 400.0 (°C) / -300.0 to 750.0 (°F) U2: 0.0 to 400.0 (°C) / -200.0 to 1000.0 (°F) W: 0.0 to 2300.0 (°C) / 32 to 4200 (°F) PL2: 0.0 to 1390.0 (°C) / 32.0 to 2500.0 (°F) P2040: 0.0 to 1900.0 (°C) / 32 to 3400 (°F) WRE: 0.0 to 2000.0 (°C) / 32 to 3600 (°F) JPT1: -200.0 to 500.0 (°C) / -300.0 to 1000.0 (°F) JPT2: -150.00 to 150.00 (°C) / -200.0 to 300.0 (°F) PT1: -200.0 to 850.0 (°C) / -300.0 to 1560.0 (°F) PT2: -200.0 to 500.0 (°C) / -300.0 to 1000.0 (°F) PT3: -150.00 to 150.00 (°C) / -200.0 to 300.0 (°F) 0.4-2V: 0.400 to 2.000 V 1-5V: 1.000 to 5.000 V 4-20: 4.00 to 20.00 mA 0-2V: 0.000 to 2.000 V 0-10V: 0.00 to 10.00 V 0-20: 0.00 to 20.00 mA -1020: -10.00 to 20.00 mV 0-100: 0.0 to 100.0 mV Note: W: W-5% Re/W-26% Re (Hoskins Mfg. Co.), ASTM E988 WRE: W97Re3-W75Re25	OFF	v	v
UNIT	PV input unit	EASY	-: No unit C: Degree Celsius -: No unit --: No unit ---: No unit F: Degree Fahrenheit	C	v	v
RH	Maximum value of PV input range	EASY	Depends on the input type. - For temperature input - Set the temperature range that is actually controlled. (RL<RH)	Depends on the input type	v	v
RL	Minimum value of PV input range	EASY	- For voltage / current input - Set the range of a voltage / current signal that is applied. The scale across which the voltage / current signal is actually controlled should be set using the maximum value of input scale (SH) and minimum value of input scale (SL). (Input is always 0% when RL = RH.)	Depends on the input type	v	v

PV Input Setting Menu (Menu: PV) (Continued from previous page)

Parameter symbol	Name	Display level	Setting range	Initial value	UT55A UT52A	UT55A/MDL UT52A/MDL
SDP	PV input scale decimal point position	EASY	0: No decimal place 1: One decimal place 2: Two decimal places 3: Three decimal places 4: Four decimal places	Depends on the input type	v	v
SH	Maximum value of PV input scale	EASY	-19999 to 30000, (SL<SH), SH - SL ≤ 30000	Depends on the input type	v	v
SL	Minimum value of PV input scale	EASY		Depends on the input type	v	v
BSL	PV input burnout action	STD	OFF: Disable UP: Upscale DOWN: Downscale	Depends on the input type	v	v
RJC	PV input reference junction compensation	PRO	OFF: RJC OFF ON: RJC ON	ON	v	v
ERJC	PV input external RJC setpoint	PRO	-10.0 to 60.0 (°C)	0.0	v	v
A.BS	PV analog input bias	STD	-100.0 to 100.0% of PV input range span (EUS)	0.0 % of PV input range span	v	v
A.FL	PV analog input filter	STD	OFF, 1 to 120 s	OFF	v	v
A.SR	PV analog input square root extraction	PRO	OFF: No square root extraction. 1: Compute the square root. (The slope equals "1.") 2: Compute the square root. (The slope equals "0.")	OFF	v	v
A.LC	PV analog input low signal cutoff	PRO	0.0 to 5.0%	1.0%	v	v

18.2 List of Parameters

RSP Setting Menu (Menu: RSP) (E1 terminal area)

Parameter symbol	Name	Display level	Setting range	Initial value	UT55A UT52A	UT55A/MDL UT52A/MDL
IN	RSP remote input type	EASY	0.4-2V: 0.400 to 2.000 V 1-5V: 1.000 to 5.000 V 0-2V: 0.000 to 2.000 V 0-10V: 0.00 to 10.00 V 0-125: 0.000 to 1.250 V For option /DR, RSP remote input type is same as PV input type.	1-5V	v	v
UNIT	RSP remote input unit	EASY	-: No unit C: Degree Celsius -: No unit --: No unit ---: No unit F: Degree Fahrenheit	C	v	v
RH	Maximum value of RSP remote input range	EASY	Depends on the input type. - For temperature input (with /DR option) - Set the temperature range that is actually controlled. (RL<RH)	Depends on the input type	v	v
RL	Minimum value of RSP remote input range	EASY	- For voltage / current (with /DR option) input - Set the range of a voltage / current signal that is applied. The scale across which the voltage / current signal is actually controlled should be set using the maximum value of input scale (SH) and minimum value of input scale (SL). (Input is always 0% when RL = RH.)	Depends on the input type	v	v
SDP	RSP remote input scale decimal point position	EASY	0: No decimal place 1: One decimal place 2: Two decimal places 3: Three decimal places 4: Four decimal places	Depends on the input type	v	v
SH	Maximum value of RSP remote input scale	EASY	-19999 to 30000, (SL<SH), SH - SL ≤ 30000	Depends on the input type	v	v
SL	Minimum value of RSP remote input scale	EASY		Depends on the input type	v	v
BSL	RSP remote input burnout action	STD	OFF: Disable UP: Upscale DOWN: Downscale	Depends on the input type	v	v
RJC	RSP remote input reference junction compensation (for /DR option)	PRO	OFF: RJC OFF ON: RJC ON	ON	v	N/A
ERJC	RSP remote input external RJC setpoint (for /DR option)	PRO	-10.0 to 60.0 (°C)	0.0	v	N/A
RTD.S	RTD wiring system	STD	3-W: 3-wire system 4-W: 4-wire system	3-W	v	N/A

When each parameter is displayed, the terminal area (E1) is displayed on Group display.

RSP Input Setting Menu (Menu: RSP) (Continued from previous page)

Parameter symbol	Name	Display level	Setting range	Initial value	UT55A UT52A	UT55A/MDL UT52A/MDL
A.BS	RSP aux. analog input bias	PRO	-100.0 to 100.0% of RSP input range span (EUS)	0.0 % of RSP input range span	✓	✓
A.FL	RSP aux. analog input filter	PRO	OFF, 1 to 120 s	OFF	✓	✓
A.SR	RSP aux. analog input square root extraction	PRO	OFF: No square root extraction. 1: Compute the square root. (The slope equals "1.") 2: Compute the square root. (The slope equals "0.")	OFF	✓	✓
A.LC	RSP aux. analog input low signal cutoff	PRO	0.0 to 5.0%	1.0%	✓	✓
DI6.D	DI16 contact type	PRO	0: The assigned function is enabled when the contact is closed. 1: The assigned function is enabled when the contact is opened.	0	✓	✓

When each parameter is displayed, the terminal area (E1) is displayed on Group display.

18.2 List of Parameters

AIN2 Aux. Analog Input Setting Menu (Menu: AIN2) (E2 terminal area)

Parameter symbol	Name	Display level	Setting range	Initial value	UT55A UT52A	UT55A/MDL UT52A/MDL
IN	AIN2 aux. analog input type	EASY	0.4-2V: 0.400 to 2.000 V 1-5V: 1.000 to 5.000 V 0-2V: 0.000 to 2.000 V 0-10V: 0.00 to 10.00 V 0-125: 0.000 to 1.250 V	1-5V	✓	✓
UNIT	AIN2 aux. analog input unit	EASY	-: No unit C: Degree Celsius -: No unit --: No unit ---: No unit F: Degree Fahrenheit	C	✓	✓
RH	Maximum value of AIN2 aux. analog input range	EASY	Depends on the input type. Set the range of a voltage signal that is applied.	Depends on the input type	✓	✓
RL	Minimum value of AIN2 aux. analog input range	EASY	The scale across which the voltage signal is actually controlled should be set using the maximum value of input scale (SH) and minimum value of input scale (SL). (Input is always 0% when RL = RH.)	Depends on the input type	✓	✓
SDP	AIN2 aux. analog input scale decimal point position	EASY	0: No decimal place 1: One decimal place 2: Two decimal places 3: Three decimal places 4: Four decimal places	Depends on the input type	✓	✓
SH	Maximum value of AIN2 aux. analog input scale	EASY	-19999 to 30000, (SL<SH), SH - SL ≤ 30000	Depends on the input type	✓	✓
SL	Minimum value of AIN2 aux. analog input scale	EASY		Depends on the input type	✓	✓
BSL	AIN2 aux. analog input burnout action	STD	OFF: Disable UP: Upscale DOWN: Downscale	Depends on the input type	✓	✓
A.BS	AIN2 aux. analog input bias	PRO	-100.0 to 100.0% of AIN2 input range span (EUS)	0.0 % of AIN2 input range span	✓	✓
A.FL	AIN2 aux. analog input filter	PRO	OFF, 1 to 120 s	OFF	✓	✓
A.SR	AIN2 aux. analog input square root extraction	PRO	OFF: No square root extraction. 1: Compute the square root. (The slope equals "1.") 2: Compute the square root. (The slope equals "0.")	OFF	✓	✓
A.LC	AIN2 aux. analog input low signal cutoff	PRO	0.0 to 5.0%	1.0%	✓	✓
DI6.D	DI26 contact type	PRO	0: The assigned function is enabled when the contact is closed. 1: The assigned function is enabled when the contact is opened.	0	✓	✓

When each parameter is displayed, the terminal area (E2) is displayed on Group display.

AIN4 Aux. Analog Input Setting Menu (Menu: AIN4) (E4 terminal area)

Parameter symbol	Name	Display level	Setting range	Initial value	UT55A UT52A	UT55A/MDL UT52A/MDL
IN	AIN4 aux. analog input type	EASY	0.4-2V: 0.400 to 2.000 V 1-5V: 1.000 to 5.000 V 0-2V: 0.000 to 2.000 V 0-10V: 0.00 to 10.00 V 0-125: 0.000 to 1.250 V	1-5V	v	v
UNIT	AIN4 aux. analog input unit	EASY	--: No unit C: Degree Celsius -: No unit --: No unit ---: No unit F: Degree Fahrenheit	C	v	v
RH	Maximum value of AIN4 aux. analog input range	EASY	Depends on the input type. Set the range of a voltage signal that is applied.	Depends on the input type	v	v
RL	Minimum value of AIN4 aux. analog input range	EASY	The scale across which the voltage signal is actually controlled should be set using the maximum value of input scale (SH) and minimum value of input scale (SL). (Input is always 0% when RL = RH.)	Depends on the input type	v	v
SDP	AIN4 aux. analog input scale decimal point position	EASY	0: No decimal place 1: One decimal place 2: Two decimal places 3: Three decimal places 4: Four decimal places	Depends on the input type	v	v
SH	Maximum value of AIN4 aux. analog input scale	EASY	-19999 to 30000, (SL<SH), SH - SL ≤ 30000	Depends on the input type	v	v
SL	Minimum value of AIN4 aux. analog input scale	EASY		Depends on the input type	v	v
BSL	AIN4 aux. analog input burnout action	STD	OFF: Disable UP: Upscale DOWN: Downscale	Depends on the input type	v	v
A.BS	AIN4 aux. analog input bias	PRO	-100.0 to 100.0% of AIN4 input range span (EUS)	0.0 % of AIN4 input range span	v	v
A.FL	AIN4 aux. analog input filter	PRO	OFF, 1 to 120 s	OFF	v	v
A.SR	AIN4 aux. analog input square root extraction	PRO	OFF: No square root extraction. 1: Compute the square root. (The slope equals "1.") 2: Compute the square root. (The slope equals "0.")	OFF	v	v
A.LC	AIN4 aux. analog input low signal cutoff	PRO	0.0 to 5.0%	1.0%	v	v
DI6.D	DI46 contact type	PRO	0: The assigned function is enabled when the contact is closed. 1: The assigned function is enabled when the contact is opened.	0	v	v

When each parameter is displayed, the terminal area (E4) is displayed on Group display.

18.2 List of Parameters

Input Range/SP Limiter/Input Switch/Input Auto-selector Setting Menu (Menu: MPV)

Parameter symbol	Name	Display level	Setting range	Initial value	UT55A UT52A	UT55A/MDL UT52A/MDL
P.UNI	Control PV input unit	STD	-: No unit C: Degree Celsius -: No unit --: No unit ---: No unit F: Degree Fahrenheit	Same as PV input unit	✓	✓
P.DP	Control PV input decimal point position	STD	0: No decimal place 1: One decimal place 2: Two decimal places 3: Three decimal places 4: Four decimal places	Depends on the input type	✓	✓
P.RH	Maximum value of control PV input range	STD	-19999 to 30000, (P.RL<P.RH), P.RH - P.RL ≤ 30000	Depends on the input type	✓	✓
P.RL	Minimum value of control PV input range	STD		Depends on the input type	✓	✓
PV.HL	Input switching PV high limit (in Loop control with PV switching)	STD	0.0 to 100.0% of control PV input range (EU), (PV.HL>PV.LL)	100.0 % of control PV input range	✓	✓
PV.LL	Input switching PV low limit (in Loop control with PV switching)	STD		0.0 % of control PV input range	✓	✓
PV.2C	Input switching action (in Loop control with PV switching)	STD	0: Switch based on low limit of temperature range 1: Switch using the parameter PV.HL 2: Switch using DI 3: Switch based on high limit of temperature range	0	✓	✓
PV.AS	Input computation selection (in Loop control with PV auto-selector)	STD	0: Max. value 1: Min. value 2: Ave. value 3: Input 1 - Input 2 4: Input 2 - Input 1	0	✓	✓
PV.NU	Number of inputs (in Loop control with PV auto-selector)	STD	2: Use Input 1 and Input 2 3: Use Input 1, Input 2, and Input 3 4: Use 4 inputs	2	✓	✓
SPH	SP high limit	STD	0.0 to 100.0% of PV input range (EU), (SPL<SPH)	100.0 % of PV input range	✓	✓
SPL	SP low limit	STD		0.0 % of PV input range	✓	✓

In Cascade control, the following parameters are also displayed for secondary loop. (the LP2 lamp is lit)

- Parameter: P.UNI, P.DP, P.RH, P.RL, SPH, SPL

Output Setting Menu (Menu: OUT)

Parameter symbol	Name	Display level	Setting range	Initial value	UT55A UT52A	UT55A/MDL UT52A/MDL
OT	Output type selection	EASY	Control output or Heating-side control output (Lower two digits) 00: OFF 01: OUT terminals (voltage pulse) 02: OUT terminals (current) 03: OUT terminals (relay/triac) 04: OUT2 terminals (voltage pulse) 05: OUT2 terminals (current) 06: OUT2 terminals (relay/triac) Cooling-side control output (Upper two digits) 00: OFF 01: OUT terminals (voltage pulse) 02: OUT terminals (current) 03: OUT terminals (relay/triac) 04: OUT2 terminals (voltage pulse) 05: OUT2 terminals (current) 06: OUT2 terminals (relay/triac)	Standard type: 00.03 Heating/ cooling type: 06.03	✓	✓ (Excluding the triac output)
CT	Control output cycle time Heating-side control output cycle time (in Heating/cooling control)	EASY	0.5 to 1000.0 s	30.0 s	✓	✓
CTc	Cooling-side control output cycle time	EASY		30.0 s	✓	✓
V.AT	Automatic valve position adjustment	EASY	OFF: Stop automatic adjustment ON: Start automatic adjustment	OFF	✓	N/A
V.RS	Valve position setting reset	EASY	Setting V.RS to ON resets the valve adjustment settings and causes the indication "V.RS" to blink.	OFF	✓	N/A
V.L	Fully-closed valve position setting	EASY	Pressing the SET/ENTER key with valve position set to the fully-closed position by Down arrow key causes the adjusted value to be stored. When V.L adjustment is complete, V.L stops blinking.	-	✓	N/A
V.H	Fully-open valve position setting	EASY	Pressing the SET/ENTER key with valve position set to the fully-opened position by Up arrow key causes the adjusted value to be stored. When V.H adjustment is complete, V.H stops blinking.	-	✓	N/A
TR.T	Valve traveling time	STD	5 to 300 s	60 s	✓	N/A
V.MOD	Valve adjusting mode	STD	0: Valve position feedback type 1: Valve position feedback type (moves to the estimating type if a feedback input error or break occurs.) 2: Valve position estimating type	0	✓	N/A

18.2 List of Parameters

Output Setting Menu (Menu: OUT) (Continued from previous page)

Parameter symbol	Name	Display level	Setting range	Initial value	UT55A UT52A	UT55A/MDL UT52A/MDL
RTS	Retransmission output type of RET	EASY	OFF: Disable PV1: PV SP1: SP OUT1: OUT (Valve opening: 0 to 100 % in Position proportional control) LPS: 15 V DC loop power supply PV2: Loop-2 PV SP2: Loop-2 SP OUT2: Loop-2 OUT TSP1: Target SP HOUT1: Heating-side OUT COUT1: Cooling-side OUT MV1: Position proportional output (internal computed value) TSP2: Loop-2 target SP HOUT2: Loop-2 heating-side OUT COUT2: Loop-2 cooling-side OUT MV2: Loop-2 position proportional output (internal computed value) PV: PV terminals analog input RSP: RSP terminals analog input AIN2: AIN2 terminals analog input AIN4: AIN4 terminals analog input Loop-2 setting values are unavailable in Single-loop control.	PV1	v	v (Excluding Position proportional control)
RTH	Maximum value of retransmission output scale of RET	STD	When RTS = PV1, SP1, PV2, SP2, TSP1, TSP2, PV, RSP, AIN2, or AIN4,	100 % of PV input range	v	v
RTL	Minimum value of retransmission output scale of RET	STD	RTL + 1 digit to 30000 -19999 to RTH - 1 digit Decimal point position: When RTS=PV1, SP1, or TSP1, decimal point position is same as that of PV input. When RTS=PV2, SP2, or TSP2, decimal point position is same as that of RSP input. When RTS=PV, decimal point position is same as that of PV input scale. When RTS=RSP, decimal point position is same as that of RSP input scale. When RTS=AIN2, decimal point position is same as that of AIN2 scale. When RTS=AIN4, decimal point position is same as that of AIN4 scale.	0 % of PV input range	v	v

Output Setting Menu (Menu: OUT) (Continued from previous page)

Parameter symbol	Name	Display level	Setting range	Initial value	UT55A UT52A	UT55A/MDL UT52A/MDL
O1RS	Retransmission output type of OUT current output	STD	Same as RTS	OFF	v	v
O1RH	Maximum value of retransmission output scale of OUT current output	STD	When O1RS = PV1, SP1, PV2, SP2, TSP1, TSP2, PV, RSP, AIN2, or AIN4, O1RL + 1 digit to 30000 -19999 to O1RH - 1 digit	-	v	v
O1RL	Minimum value of retransmission output scale of OUT current output	STD	Decimal point position: When O1RS=PV1, SP1, or TSP1, decimal point position is same as that of PV input. When O1RS =PV2, SP2, or TSP2, decimal point position is same as that of RSP input. When O1RS =PV, decimal point position is same as that of PV input scale. When O1RS =RSP, decimal point position is same as that of RSP input scale. When O1RS =AIN2, decimal point position is same as that of AIN2 scale. When O1RS =AIN4, decimal point position is same as that of AIN4 scale.	-	v	v
O2RS	Retransmission output type of OUT2 current output	STD	Same as RTS	OFF	v	v
O2RH	Maximum value of retransmission output scale of OUT2 current output	STD	When O2RS = PV1, SP1, PV2, SP2, TSP1, TSP2, PV, RSP, AIN2, or AIN4, O2RL + 1 digit to 30000 -19999 to O2RH - 1 digit	-	v	v
O2RL	Minimum value of retransmission output scale of OUT2 current output	STD	Decimal point position: When O2RS=PV1, SP1, or TSP1, decimal point position is same as that of PV input. When O2RS =PV2, SP2, or TSP2, decimal point position is same as that of RSP input. When O2RS =PV, decimal point position is same as that of PV input scale. When O2RS =RSP, decimal point position is same as that of RSP input scale. When O2RS =AIN2, decimal point position is same as that of AIN2 scale. When O2RS =AIN4, decimal point position is same as that of AIN4 scale.	-	v	v

18.2 List of Parameters

Output Setting Menu (Menu: OUT) (Continued from previous page)

Parameter symbol	Name	Display level	Setting range	Initial value	UT55A UT52A	UT55A/MDL UT52A/MDL
OU.H	100% segmental point of OUT current output	PRO	-100.0 to 200.0%	100.0%	✓	✓
OU.L	0% segmental point of OUT current output	PRO		0.0%	✓	✓
OU2.H	100% segmental point of OUT2 current output	PRO		100.0%	✓	✓
OU2.L	0% segmental point of OUT2 current output	PRO		0.0%	✓	✓
RET.H	100% segmental point of RET current output	PRO		100.0%	✓	✓
RET.L	0% segmental point of RET current output	PRO		0.0%	✓	✓
OU.A	OUT current output range	PRO	4-20: 4 to 20 mA 0-20: 0 to 20 mA 20-4: 20 to 4 mA 20-0: 20 to 0 mA	4-20	✓	✓
OU2.A	OUT2 current output range	PRO		4-20	✓	✓
RET.A	RET current output range	PRO		4-20	✓	✓
MAN.T	Manual output operation type	PRO	Selects how to manipulate the control output during manual operation. (Note) DT.ET: Direct key method (The value specified by the Up and Down arrow keys is output as is.) ST.ET: SET/ENT key method (The value specified on the setting display and confirmed with the SET/ENT key is output.)	DT.ET	✓	N/A

Note: When the control type (CNT) is set to ON/OFF control or heating/cooling control, the operation of setting DT.ET can be run. On the position proportional type, parameter MAN.T does not appear.

Heater Break Alarm Setting Menu (Menu: HBA)

Parameter symbol	Name	Display level	Setting range	Initial value	UT55A UT52A	UT55A/MDL UT52A/MDL
HB1.S, HB2.S	Heater break alarm-1, -2 function selection	EASY	0: Heater current measurement 1: Heater break alarm	1	✓	N/A
HB1, HB2	Heater break alarm-1, -2 current setpoint	EASY	OFF, 0.1 to 300.0 Arms	OFF	✓	N/A
CT1.T, CT2.T	CT1, CT2 coil winding number ratio	EASY	1 to 3300	800	✓	N/A
HDN1, HDN2	Heater break alarm-1, -2 On-delay timer	STD	0.00 to 99.59 (minute.second)	0.00	✓	N/A
HDF1, HDF2	Heater break alarm-1, -2 Off-delay timer	PRO		0.00	✓	N/A
HB1.D, HB2.D	Heater break alarm-1, -2 contact type	PRO	CLS: When the event occurs, the contact is closed. OPN: When the event occurs, the contact is opened.	CLS	✓	N/A

RS-485 Communication Setting Menu (Menu: R485) (E1, E3 and E4 terminal area)

Parameter symbol	Name	Display level	Setting range	Initial value	UT55A UT52A	UT55A/MDL UT52A/MDL
PSL	Protocol selection	EASY	PCL: PC link communication PCLSM: PC link communication (with checksum) LADR: Ladder communication CO-M: Coordinated master station CO-S: Coordinated slave station MBASC: Modbus (ASCII) MBRTU: Modbus (RTU) CO-S1: Coordinated slave station (Loop-1 mode) CO-S2: Coordinated slave station (Loop-2 mode) P-P: Peer-to-peer communication	MBRTU	✓	✓
BPS	Baud rate	EASY	600: 600 bps 1200: 1200 bps 2400: 2400 bps 4800: 4800 bps 9600: 9600 bps 19200: 19.2k bps 38400: 38.4k bps (except for communication of E4 terminal area)	19200	✓	✓
PRI	Parity	EASY	NONE: None EVEN: Even ODD: Odd	EVEN	✓	✓
STP	Stop bit	EASY	1: 1 bit, 2: 2 bits	1	✓	✓
DLN	Data length	EASY	7: 7 bits, 8: 8 bits	8	✓	✓
ADR	Address	EASY	1 to 99	1	✓	✓
RP.T	Minimum response time	PRO	0 to 10 (x10ms)	0	✓	✓

When each parameter is displayed, the terminal area (E1, E2 or E4) is displayed on Group display.

• Parameter: PSL, BPS, STP, DLN, ADR, RP.T

18.2 List of Parameters

Ethernet Communication Setting Menu (Menu: ETHR) (E3 terminal area)

Parameter symbol	Name	Display level	Setting range	Initial value	UT55A UT52A	UT55A/MDL UT52A/MDL
HSR	High-speed response mode	EASY	OFF, 1 to 8	1	v (Excluding the UT52A)	v (Excluding the UT52A/MDL)
BPS	Baud rate	EASY	9600: 9600 bps 19200: 19.2k bps 38400: 38.4k bps	38400		
PRI	Parity	EASY	NONE: None EVEN: Even ODD: Odd	EVEN		
IP1 to IP4	IP address 1 to 4	EASY	0 to 255 Initial value: 192.168.1.1	See left		
SM1 to SM4	Subnet mask 1 to 4	EASY	0 to 255 Initial value: 255.255.255.0	See left		
DG1 to DG4	Default gateway 1 to 4	EASY	0 to 255 Initial value: 0.0.0.0	See left		
PRT	Port number	EASY	502, 1024 to 65535	502		
IPAR	IP access restriction	EASY	OFF: Disable, ON: Enable	OFF		
1.IP1 to 1.IP4	Permitted IP address 1-1 to 1-4	EASY	0 to 255 Initial value: 255.255.255.255	See left		
2.IP1 to 2.IP4	Permitted IP address 2-1 to 2-4	EASY	0 to 255 Initial value: 255.255.255.255	See left		
ESW	Ethernet setting switch	EASY	OFF, ON Setting this parameter to "ON" enables the Ethernet communication parameter settings. * The parameter ESW automatically returns to "OFF" after "ON" is set.	OFF		N/A

When each parameter is displayed, the terminal area (E3) is displayed on Group display.

PROFIBUS-DP Communication Setting Menu (Menu: PROF) (E3 terminal area)

Parameter symbol	Name	Display level	Setting range	Initial value	UT55A UT52A	UT55A/MDL UT52A/MDL
BR	Baud rate	EASY	9.6K: 9.6k bps 19.2K: 19.2k bps 93.75K: 93.75k bps 187.5K: 187.5k bps 0.5M: 0.5M bps 1.5M: 1.5M bps 3M: 3M bps 6M: 6M bps 12M: 12M bps AUTO 45.45K: 45.45k bps	AUTO	v (Excluding the UT52A)	v (Excluding the UT52A/MDL)
ADR	Address	EASY	0 to 125	3		
BPS	Baud rate	EASY	9600: 9600 bps 19200: 19.2k bps 38400: 38.4k bps	38400		
FILE	Profile number	EASY	0 to 5	0		
SCAN	Automatic rescan time	PRO	OFF 1M: 1 minute 10M: 10 minutes 30M: 30 minutes 60M: 60 minutes	OFF		

When each parameter is displayed, the terminal area (E3) is displayed on Group display.

DeviceNet Communication Setting Menu (Menu: DNET) (E3 terminal area)

Parameter symbol	Name	Display level	Setting range	Initial value	UT55A UT52A	UT55A/MDL UT52A/MDL
BR	Baud rate	EASY	125K: 125k bps 250K: 250k bps 500K: 500k bps	125K	▼ (Excluding the UT52A)	▼ (Excluding the UT52A/MDL)
ADR	Address	EASY	0 to 63	63		
BPS	Baud rate	EASY	9600: 9600 bps 19200: 19.2k bps 38400: 38.4k bps	38400		
FILE	Profile number	EASY	0 to 5	0		
SCAN	Automatic rescan time	PRO	OFF 1M: 1 minute 10M: 10 minutes 30M: 30 minutes 60M: 60 minutes	OFF		

When each parameter is displayed, the terminal area (E3) is displayed on Group display.

CC-Link Communication Setting Menu (Menu: CC-L) (E3 terminal area)

Parameter symbol	Name	Display level	Setting range	Initial value	UT55A UT52A	UT55A/MDL UT52A/MDL
BR	Baud rate	EASY	156K: 156k bps 625K: 625k bps 2.5M: 2.5M bps 5M: 5M bps 10M: 10M bps	10M	▼	▼
ADR	Address	EASY	1 to 64	1	▼	▼
BPS	Baud rate	EASY	9600: 9600 bps 19200: 19.2k bps 38400: 38.4k bps	38400	▼	▼
FILE	Profile number	EASY	UT55A: 0 to 7 (0, 1 and 6: Ver.1.10) (2 to 5 and 7: Ver.2.00) UT52A: 0 to 3 and 6 (0, 1 and 6: Ver.1.10) (2 and 3: Ver.2.00)	0	▼	▼
SCAN	Automatic rescan time	PRO	OFF 1M: 1 minute 10M: 10 minutes 30M: 30 minutes 60M: 60 minutes	OFF	▼	▼

When each parameter is displayed, the terminal area (E3) is displayed on Group display.

18.2 List of Parameters

Key Action Setting Menu (Menu: KEY)

Parameter symbol	Name	Display level	Setting range	Initial value	UT55A UT52A	UT55A/MDL UT52A/MDL
F1 to F2	User function key-1, -2 action setting	EASY	OFF: Disable A/M: AUTO/MAN switch	OFF	v	N/A
Fn	User function key-n action setting	EASY	C/A/M: CAS/AUTO/MAN switch R/L1: REM/LCL switch R/L2: Loop-2 REM/LCL switch S/R: STOP/RUN switch CAS: Switch to CAS AUTO: Switch to AUTO MAN: Switch to MAN REM1: Switch to REM LCL1: Switch to LCL REM2: Switch to Loop-2 REM LCL2: Switch to Loop-2 LCL STOP: Switch to STOP RUN: Switch to RUN AT: Auto-tuning LTUP: LCD brightness UP LTDN: LCD brightness DOWN BRI: Adjust LCD brightness LCD: LCD backlight ON/OFF switch LAT: Latch release PID: PID tuning switch Loop-2 setting values are unavalable in Single-loop control.	PID	v	N/A
A/M	A/M key action setting	PRO	OFF: Disable A/M: AUTO/MAN switch C/A/M: CAS/AUTO/MAN switch R/L1: REM/LCL switch R/L2: Loop-2 REM/LCL switch S/R: STOP/RUN switch CAS: Switch to CAS AUTO: Switch to AUTO MAN: Switch to MAN	A/M	v	N/A

Display Function Setting Menu (Menu: DISP)

Parameter symbol	Name	Display level	Setting range	Initial value	UT55A UT52A	UT55A/MDL UT52A/MDL
DVB	Deviation display band	STD	0.0 to 100.0% of PV input range span (EUS)	1.0 % of PV input range span	v	N/A
PCMD	Active color PV display switch	EASY	0: Fixed in white 1: Fixed in red 2: Link to alarm 1 (Alarm OFF: white, Alarm ON: red) 3: Link to alarm 1 (Alarm OFF: red, Alarm ON: white) 4: Link to alarm 1 or 2 (Alarm OFF: white, Alarm ON: red) 5: Link to alarm 1 or 2 (Alarm OFF: red, Alarm ON: white) 6: PV limit (Within range: white, Out of range: red) 7: PV limit (Within range: red, Out of range: white) 8: SP deviation (Within deviation: white, Out of deviation: red) 9: SP deviation (Within deviation: red, Out of deviation: white) 10: Link to DI (ON: red, OFF: white)	0	v	N/A
PCH	PV color change high limit	EASY	Set a display value when in PV limit or SP deviation.	0	v	N/A
PCL	PV color change low limit	EASY	-19999 to 30000 (Set a value within the input range.) Decimal point position depends on the input type.	0	v	N/A
BAR1	Upper bar-graph display registration	STD	0: Disable 1:OUT, Heating-side OUT, Internal value in Position proportional control	5 (Heating/cooling type: 1)	v	N/A
BAR2	Lower bar-graph display registration	STD	2: Cooling-side OUT 3: PV 4: SP 5: Deviation 6: Loop-2 OUT, Loop-2 heating-side OUT 7: Loop-2 cooling-side OUT 8: Loop-2 PV 9: Loop-2 SP 10: Loop-2 deviation 11 to 16: Disable 17: Feedback input (valve opening) 18: PV terminals analog input 19: RSP terminals analog input 20: AIN2 terminals analog input 21: AIN4 terminals analog input 27: TSP 28: TSP deviation 29: Loop-2 TSP 30: Loop-2 TSP deviation	1 (Heating/cooling type: 2) (Position proportional type: 17)	v	N/A

In Cascade control, the following parameters are also displayed for secondary loop. (the LP2 lamp is lit)

- Parameter:DVB, PCMD, PCH, PCL

18.2 List of Parameters

Display Function Setting Menu (Menu: DISP) (Continued from previous page)

Parameter symbol	Name	Display level	Setting range	Initial value	UT55A UT52A	UT55A/MDL UT52A/MDL
BDV	Bar-graph deviation display band	STD	0.0 to 100.0% of PV input range span (EUS)	1.0 % of PV input range span	v	N/A
EV1 to EV8	EV1 to EV8 display condition registration	PRO	Setting range: 4001 to 6304 OFF: Disable 4321: Link to alarm 1 (Lit when the alarm occurs) 4322: Link to alarm 2 (Lit when the alarm occurs) 4323: Link to alarm 3 (Lit when the alarm occurs) 4325: Link to alarm 4 (Lit when the alarm occurs) 4326: Link to alarm 5 (Lit when the alarm occurs) 4327: Link to alarm 6 (Lit when the alarm occurs) 4329: Link to alarm 7 (Lit when the alarm occurs) 4330: Link to alarm 8 (Lit when the alarm occurs) 4337: Link to Loop-2 alarm 1 (Lit when the alarm occurs) 4338: Link to Loop-2 alarm 2 (Lit when the alarm occurs) 4339: Link to Loop-2 alarm 3 (Lit when the alarm occurs) 4341: Link to Loop-2 alarm 4 (Lit when the alarm occurs) 4342: Link to Loop-2 alarm 5 (Lit when the alarm occurs) 4343: Link to Loop-2 alarm 6 (Lit when the alarm occurs) 4345: Link to Loop-2 alarm 7 (Lit when the alarm occurs) 4346: Link to Loop-2 alarm 8 (Lit when the alarm occurs) 4529: Heater break alarm 1 (Lit when the alarm occurs) 4530: Heater break alarm 2 (Lit when the alarm occurs) 5025 to 5027: Link to DI1-DI3 (Lit when the contact is closed) 5041 to 5046: Link to DI11-DI16 (E1-terminal area) (Lit when the contact is closed) 5057 to 5062: Link to DI21-DI26 (E2-terminal area) (Lit when the contact is closed) 5073 to 5077: Link to DI31-DI35 (E3-terminal area) (Lit when the contact is closed) 5089 to 5094: Link to DI41-DI46 (E4-terminal area) (Lit when the contact is closed) 5153 to 5155: Link to AL1-AL3 (Lit when the contact is closed) 5169 to 5173: Link to DO11-DO15 (E1-terminal area) (Lit when the contact is closed) 5185 to 5189: Link to DO21-DO25 (E2-terminal area) (Lit when the contact is closed) 5201 to 5205: Link to DO31-DO35 (E3-terminal area) (Lit when the contact is closed) 5217 to 5221: Link to DO41-DO45 (E4-terminal area) (Lit when the contact is closed) For other functions, see the UTAdvanced Series Communication Interface User's Manual.	Loop 1 EV1: 4321 EV2: 4322 EV3: 4323 EV4: 4325 EV5: 4326 EV6: 4327 EV7: 4329 EV8: 4330 Loop 2 EV1: 4337 EV2: 4338 EV3: 4339 EV4: 4341 EV5: 4342 EV6: 4343 EV7: 4345 EV8: 4346	v	N/A

In Cascade control, the following parameters are also displayed for secondary loop. (the LP2 lamp is lit)

- Parameter: BDV, EV1 to EV8

Display Function Setting Menu (Menu: DISP) (Continued from previous page)

Parameter symbol	Name	Display level	Setting range	Initial value	UT55A UT52A	UT55A/MDL UT52A/MDL
PV.D	PV display area ON/OFF	PRO	OFF: Nondisplay, ON: Display	ON	v	N/A
SP.D	Setpoint display area ON/OFF	PRO		ON	v	N/A
STS.D	Status display area ON/OFF	PRO		ON	v	N/A
SPD	Scroll speed	PRO	(Slow) 1 to 8 (Quick)	4	v	N/A
GUID	Guide display ON/OFF	STD	OFF: Nondisplay ON: Display	ON	v	N/A
HOME	Home Operation Display setting	PRO	SP1: SP Display SP2: Loop-2 SP Display OUT1: OUT Display OUT2: Loop-2 OUT Display HCO: Heating/cooling OUT Display VP: Valve Position Display MV: Position Proportional Computation Output Display PID1: PID Number Display PID2: Loop-2 PID Number Display HC1: Heater Break Alarm-1 Current Display HC2: Heater Break Alarm-2 Current Display PV1: PV2/PV1 Display PV2: PV1/PV2 Display PV: PV Analog Input Display RSP: RSP Analog Input Display AIN2: AIN2 Analog Input Display AIN4: AIN4 Analog Input Display CS1 to CS5: SELECT Display 1 to 5	SP1	v	N/A
ECO	Economy mode	STD	OFF: Disable 1: Economy mode ON (All indications except PV display OFF) 2: Economy mode ON (All indications OFF) 3: Brightness 10 % (All indications)	OFF	v	N/A
BRI	Brightness	EASY	(Dark) 1 to 5 (Bright)	3	v	N/A
B.PVW	White brightness adjustment of PV display	PRO	Adjusts the white brightness of PV display. (Dark) -4 to 4 (Bright)	0	v	N/A
B.PVR	Red brightness adjustment of PV display	PRO	Adjusts the red brightness of PV display. (Dark) -4 to 4 (Bright)	0	v	N/A
B.SP	Brightness adjustment of Setpoint display	PRO	Adjusts the brightness of SP display. (Dark) -4 to 4 (Bright)	0	v	N/A
B.BAR	Brightness adjustment of Bar-graph display	PRO	Adjusts the brightness of SP display. (Dark) -4 to 4 (Bright)	0	v	N/A
B.STS	Brightness adjustment of Status indicator	PRO	Adjusts the brightness of Status indicator. (Dark) -4 to 4 (Bright)	0	v	N/A
D.CYC	Display update cycle	PRO	1: 100 ms 2: 200 ms 3: 500 ms 4: 1 s 5: 2 s	2	v	N/A
OP.JP	Autoreturn to operation display	PRO	Automatically returned to the Operation Display when there has been no keystroke operation for 5 minutes. OFF, ON	ON	v	N/A

18.2 List of Parameters

Display Function Setting Menu (Menu: DISP) (Continued from previous page)

Parameter symbol	Name	Display level	Setting range	Initial value	UT55A UT52A	UT55A/MDL UT52A/MDL
MLSD	Least significant digital mask of PV display	STD	OFF: With least significant digit ON: Without least significant digit	OFF	✓	N/A
MKTP	Method for least significant digital mask of PV display	STD	0: Rounding, 1: Rounding-off	0	✓	N/A

SELECT Display Setting Menu (Menu: CSEL)

Parameter symbol	Name	Display level	Setting range	Initial value	UT55A UT52A	UT55A/MDL UT52A/MDL
CS1 to CS5	SELECT Display-1 to -5 registration	STD	OFF, 2301 to 5000, 6701 to 6710	OFF	✓	N/A
CS10 to CS19	SELECT parameter-10 to -19 registration	PRO	OFF, 2301 to 5000	OFF	✓	N/A

Key Lock Setting Menu (Menu: KLOC)

Parameter symbol	Name	Display level	Setting range	Initial value	UT55A UT52A	UT55A/MDL UT52A/MDL
U.SP	SP Display lock	PRO	OFF: Display ON: Nondisplay	OFF	✓	N/A
U.OUT	OUT Display lock	PRO		OFF (Cascade control: ON)	✓	N/A
U.HCO	Heating/cooling OUT Display lock	PRO		OFF	✓	N/A
U.VP	Valve Position Display lock	PRO		OFF	✓	N/A
U.MV	Position Proportional Computation Output Display lock	PRO		ON	✓	N/A
U.PID	PID Number Display lock	PRO		ON	✓	N/A
U.HC	Heater Break Alarm Current Value Display lock	PRO		OFF	✓	N/A
U.PV1	PV2/PV1 Display lock	PRO		OFF	✓	N/A
U.PV2	PV1/PV2 Display lock	PRO		OFF	✓	N/A
U.PV	PV Analog Input Display lock	PRO		ON (Loop control with PV switching and Loop control with PV auto-selector: OFF)	✓	N/A
U.RSP	RSP Analog Input Display lock	PRO		ON (Loop control with PV auto-selector: OFF)	✓	N/A
U.AI2	AIN2 Analog Input Display lock	PRO		ON (Loop control with PV auto-selector: OFF)	✓	N/A
U.AI4	AIN4 Analog Input Display lock	PRO		ON (Loop control with PV auto-selector: OFF)	✓	N/A
COM.W	Communication write enable/disable	STD	OFF: Enable, ON: Disable	OFF	✓	Available on the "SYS" menu on models with the /MDL option.
DATA	Front panel parameter data key lock	STD	OFF: Unlock ON: Lock	OFF	✓	N/A
A/M	Front panel A/M key lock	STD	OFF	OFF	✓	N/A
U.PVO	PV only Display lock	PRO	OFF: Display ON: Nondisplay	ON	✓	N/A

The following parameters are also displayed for secondary loop. (the LP2 lamp is lit)

- Parameter: U.SP, U.OUT, U.PID

Menu Lock Setting Menu (Menu: MLOC)

Parameter symbol	Name	Display level	Setting range	Initial value	UT55A UT52A	UT55A/MDL UT52A/MDL
CTL	[CTL] menu lock	PRO	OFF: Display ON: Nondisplay	OFF	v	N/A
PV	[PV] menu lock	PRO				
RSP	[RSP] menu lock	PRO				
AIN2	[AIN2] menu lock	PRO				
AIN4	[AIN4] menu lock	PRO				
MPV	[MPV] menu lock	PRO				
OUT	[OUT] menu lock	PRO				
HBA	[HBA] menu lock	PRO				
R485	[R485] menu lock	PRO				
ETHR	[ETHR] menu lock	PRO				
PROF	[PROF] menu lock	PRO				
DNET	[DNET] menu lock	PRO				
CC-L	[CC-L] menu lock	PRO				
KEY	[KEY] menu lock	PRO				
DISP	[DISP] menu lock	PRO				
CSEL	[CSEL] menu lock	PRO				
KLOC	[KLOC] menu lock	PRO				
DI.SL	[DI.SL] menu lock	PRO				
DI.NU	[DI.NU] menu lock	PRO				
DI.D	[DI.D] menu lock	PRO				
ALM	[ALM] menu lock	PRO				
DO	[DO] menu lock	PRO				
I/O	[I/O] menu lock	PRO				
SYS	[SYS] menu lock	PRO				
INIT	[INIT] menu lock	PRO				
VER	[VER] menu lock	PRO				
LVL	[LVL] menu lock	PRO				

In Cascade control, the following parameters are also displayed for secondary loop. (the LP2 lamp is lit)

- Parameter: MPV

When each parameter is displayed, the terminal area (E1 to E4) is displayed on Group display.

- Parameter: RSP, AIN2, AIN4, R485, ETHR, PROF, DNET, CC-L, DI.D, DO

18.2 List of Parameters

Menu Lock Setting Menu (Menu: MLOC) (Continued from previous page)

Parameter symbol	Name	Display level	Setting range	Initial value	UT55A UT52A	UT55A/MDL UT52A/MDL
MODE	[MODE] menu lock	PRO	OFF: Display ON: Nondisplay	OFF	v	N/A
CS	[CS] menu lock	PRO				
SP	[SP] menu lock	PRO				
SPS	[SPS] menu lock	PRO				
ALRM	[ALRM] menu lock	PRO				
PVS	[PVS] menu lock	PRO				
PID	[PID] menu lock	PRO				
TUNE	[TUNE] menu lock	PRO				
ZONE	[ZONE] menu lock	PRO				
PPAR	[PPAR] menu lock	PRO				
PYS1	[PYS1] menu lock	PRO				
PYS2	[PYS2] menu lock	PRO				
PYS3	[PYS3] menu lock	PRO				
PYS4	[PYS4] menu lock	PRO				

In Cascade control, the following parameters are also displayed for secondary loop. (the LP2 lamp is lit)

- Parameter: SP, SPS, ALRM, PVS, PID, TUNE, ZONE

DI Function Registration Menu (Menu: DI.SL)

Parameter symbol	Name	Display level	Setting range	Initial value	UT55A UT52A	UT55A/MDL UT52A/MDL
A/M	AUTO/MAN switch	STD	Set an I relay number of contact input. Set "OFF" to disable the function. Standard terminals DI1: 5025, DI2: 5026, DI3: 5027 E1-terminal area DI11: 5041, DI12: 5042, DI13: 5043, DI14: 5044, DI15: 5045, DI16: 5046 E2-terminal area DI21: 5057, DI22: 5058, DI23: 5059, DI24: 5060, DI25: 5061, DI26: 5062 E3-terminal area DI31: 5073, DI32: 5074, DI33: 5075, DI34: 5076, DI35: 5077 E4-terminal area DI41: 5089, DI42: 5090, DI43: 5091, DI44: 5092, DI45: 5093, DI46: 5094	5025	✓	✓
R/L	REMOTE/LOCAL switch	STD		5046	✓	✓
S/R	STOP/RUN switch	STD		5026	✓	✓
CAS	Switch to CAS	STD		OFF	✓	✓
AUTO	Switch to AUTO	STD		OFF	✓	✓
MAN	Switch to MAN	STD		OFF	✓	✓
REM	Switch to REMOTE	STD		OFF	✓	✓
LCL	Switch to LOCAL	STD		OFF	✓	✓
AT	Auto-tuning START/STOP switch	STD		OFF	✓	✓
TRK	Output tracking switch	PRO		OFF	✓	✓
SW	PV switch	PRO		OFF	✓	✓
PVHD	PV hold	PRO		OFF	✓	✓
CTOA	CAS to AUTO switch	PRO		OFF	✓	✓
LAT	Latch release	STD		OFF	✓	✓
LCD	LCD backlight ON/OFF switch	STD		OFF	✓	N/A
PVRW	PV red/white switch	STD		OFF	✓	N/A
MG1	Message display interruption 1	PRO		OFF	✓	N/A
MG2	Message display interruption 2	PRO		OFF	✓	N/A
MG3	Message display interruption 3	PRO		OFF	✓	N/A
MG4	Message display interruption 4	PRO		OFF	✓	N/A

In Cascade control, the following parameters are also displayed for secondary loop. (the LP2 lamp is lit)

- Parameter: R/L, REM, LCL, PVRW

18.2 List of Parameters

DI Function Numbering Menu (Menu: DI.NU)

Parameter symbol	Name	Display level	Setting range	Initial value	UT55A UT52A	UT55A/MDL UT52A/MDL
SP.B0	Bit-0 of SP number	EASY	Set an I relay number of contact input. Set "OFF" to disable the function.	OFF	✓	✓
SP.B1	Bit-1 of SP number	EASY		OFF	✓	✓
SP.B2	Bit-2 of SP number	EASY		OFF	✓	✓
SP.B3	Bit-3 of SP number	EASY	Standard terminals DI1: 5025, DI2: 5026, DI3: 5027 E1-terminal area DI11: 5041, DI12: 5042, DI13: 5043, DI14: 5044, DI15: 5045, DI16: 5046 E2-terminal area DI21: 5057, DI22: 5058, DI23: 5059, DI24: 5060, DI25: 5061, DI26: 5062 E3-terminal area DI31: 5073, DI32: 5074, DI33: 5075, DI34: 5076, DI35: 5077 E4-terminal area DI41: 5089, DI42: 5090, DI43: 5091, DI44: 5092, DI45: 5093, DI46: 5094	OFF	✓	✓
PN.B0	Bit-0 of PID number	STD		OFF	✓	✓
PN.B1	Bit-1 of PID number	STD		OFF	✓	✓
PN.B2	Bit-2 of PID number	STD		OFF	✓	✓
PN.B3	Bit-3 of PID number	STD		OFF	✓	✓
MP.B0	Bit-0 of manual preset output number	STD		OFF	✓	✓
MP.B1	Bit-1 of manual preset output number	STD	OFF	✓	✓	
MP.B2	Bit-2 of manual preset output number	STD	OFF	✓	✓	
SP.BC	Bit changing method of SP number	STD	0: Status switch 1 1: Status switch 2	0	✓	✓
PN.BC	Bit changing method of PID number	PRO	0: Status switch 1 1: Status switch 2	0	✓	✓
MP.BC	Bit changing method of manual preset output number	PRO	0: Status switch 1 1: Status switch 2	0	✓	✓

In Cascade control, the following parameters are also displayed for secondary loop. (the LP2 lamp is lit)

- Parameter MP.B0, MP.B1, MP.B2, MP.BC

DI1-DI3 Contact Type Setting Menu (Menu: DI.D)

Parameter symbol	Name	Display level	Setting range	Initial value	UT55A UT52A	UT55A/MDL UT52A/MDL
DI1.D	DI1 contact type	PRO	0: The assigned function is enabled when the contact input is closed. 1: The assigned function is enabled when the contact input is opened.	0	✓	✓
DI2.D	DI2 contact type	PRO		0	✓	✓
DI3.D	DI3 contact type	PRO		0	✓	✓

DI Setting Menu (Menu: DI.D) (E1 to E4 terminal area)

Parameter symbol	Name	Display level	Setting range	Initial value	UT55A UT52A	UT55A/MDL UT52A/MDL
DI1.D	DIn1 contact type	PRO	0: The assigned function is enabled when the contact input is closed. 1: The assigned function is enabled when the contact input is opened.	0	✓	✓ (Note)
DI2.D	DIn2 contact type	PRO		0	✓	✓ (Note)
DI3.D	DIn3 contact type	PRO		0	✓	✓ (Note)
DI4.D	DIn4 contact type	PRO		0	✓	✓ (Note)
DI5.D	DIn5 contact type	PRO		0	✓	✓ (Note)

n: Terminal area number (1 to 4)

Note: E1- and E4-terminal area only for UT55A/MDL.

AL1-AL3 Function Registration Menu (Menu: ALM)

Parameter symbol	Name	Display level	Setting range	Initial value	UT55A UT52A	UT55A/MDL UT52A/MDL
AL1.S	AL1 function selection	STD	Set an I relay number. Setting range: 4001 to 6000	4353	✓	✓
AL2.S	AL2 function selection	STD	No function: OFF	4354	✓	✓
AL3.S	AL3 function selection	STD	Alarm 1: 4353 Alarm 2: 4354	4355	✓	✓
OR.S	OUT relay function selection	STD	Alarm 3: 4355 Alarm 4: 4357 Alarm 5: 4358 Alarm 6: 4359 Alarm 7: 4361 Alarm 8: 4362	OFF	✓	✓
OR2.S	OUT2 relay function selection	STD	AUTO (OFF) / MAN (ON) status: 4193 REM (ON) / LCL (OFF) status: 4194 STOP (ON) / RUN (OFF) status: 4195 Output tracking (ON) switching signal: 4201 FAIL (Normally ON) output: 4256	OFF	✓	✓
AL1.D	AL1 contact type	PRO	0: When the event of assigned function occurs, the contact output is closed. 1: When the event of assigned function occurs, the contact output is opened.	0	✓	✓
AL2.D	AL2 contact type	PRO		0	✓	✓
AL3.D	AL3 contact type	PRO		0	✓	✓
OR.D	OUT relay contact type	PRO		0	✓	✓
OR2.D	OUT2 relay contact type	PRO		0	✓	✓

DO Setting Menu (Menu: DO) (E1 to E4 terminal area)

Parameter symbol	Name	Display level	Setting range	Initial value	UT55A UT52A	UT55A/MDL UT52A/MDL
DO1.S	DOn1 function selection	STD	Same as AL1.S.	See left	✓	✓ (Note)
DO2.S	DOn2 function selection	STD	Initial value of E1 and E3 terminal area	See left	✓	✓ (Note)
DO3.S	DOn3 function selection	STD	All DO settings are OFF.	See left	✓	✓ (Note)
DO4.S	DOn4 function selection	STD	Initial value of E2 terminal area DO1.S: 4357, DO2.S: 4358, DO3.S: 4359, DO4.S: 4361, DO5.S: 4362	See left	✓	✓ (Note)
DO5.S	DOn5 function selection	STD		See left	✓	✓ (Note)
DO1.D	DOn1 contact type	PRO	0: When the event of assigned function occurs, the contact output is closed. 1: When the event of assigned function occurs, the contact output is opened.	0	✓	✓ (Note)
DO2.D	DOn2 contact type	PRO		0	✓	✓ (Note)
DO3.D	DOn3 contact type	PRO		0	✓	✓ (Note)
DO4.D	DOn4 contact type	PRO		0	✓	✓ (Note)
DO5.D	DOn5 contact type	PRO		0	✓	✓ (Note)

n: Terminal area number (1 to 4)

Note: E2-terminal area only for UT55A/MDL.

18.2 List of Parameters

I/O Display Menu (Menu: I/O)

Parameter symbol	Name	Display level	Read only	UT55A UT52A	UT55A/MDL UT52A/MDL
KEY	Key status	PRO	See Chapter 13.	v	v (Note)
X000	DI1-DI3 status (equipped as standard)	PRO			
X100	DI11-DI16 status (E1-terminal area)	PRO			
X200	DI21-DI26 status (E2-terminal area)	PRO			
X300	DI31-DI35 status (E3-terminal area)	PRO			
X400	DI41-DI46 status (E4-terminal area)	PRO			
Y000	AL1-AL3 status (equipped as standard)	PRO			
Y100	DO11-DO15 status (E1-terminal area)	PRO			
Y200	DO21-DO25 status (E2-terminal area)	PRO			
Y300	DO31-DO35 status (E3-terminal area)	PRO			
Y400	DO41-DO45 status (E4-terminal area)	PRO			

Note: You can view the key and I/O status by establishing an online connection with the controller and using the LL50A tuning window.

System Setting Menu (Menu: SYS)

Parameter symbol	Name	Display level	Setting range	Initial value	UT55A UT52A	UT55A/MDL UT52A/MDL
R.MD	Restart mode	STD	CONT: Continue action set before power failure. MAN: Start from MAN. AUTO: Start from AUTO.	CONT	v	v
R.TM	Restart timer	STD	0 to 10 s	0	v	v
EPO	Input error preset output	STD	0: Preset output 1: 0% output 2: 100% output	0	v	v
C.GRN	Response as GREEN Series	PRO	OFF: Works as UT55A/UT52A in communication of device information response or broadcasting. ON: Works as GREEN Series in communication of device information response or broadcasting.	OFF	v	v
FREQ	Power frequency	EASY	AUTO, 60: 60 Hz, 50: 50 Hz	AUTO	v	v
QSM	Quick setting mode	EASY	OFF: Disable ON: Enable	ON	v	N/A
LANG	Guide display language	EASY	ENG: English FRA: French GER: German SPA: Spanish	Depends on the Model and Suffix Codes	v	N/A
PASS	Password setting	EASY	0 (No password) to 65535 Once a password is set, you can no longer choose not to set a password.	0	v	N/A
SMEC	Sampling period error counter	PRO	0 to 65535 (display only)	0 when power is turned on.	v	N/A
COM.W	Communication write enable/disable	STD	OFF: Enable, ON: Disable	OFF	Available on the "KLOC" menu.	v

Initialization Menu (Menu: INIT)

Parameter symbol	Name	Display level	Setting range	Initial value	UT55A UT52A	UT55A/MDL UT52A/MDL
U.DEF	Initialization to user default value	PRO	12345: Initialization, automatically returned to "0" after initialization.	0	✓	✓ (Note)
F.DEF	Initialization to factory default value	PRO	-12345: Initialization, automatically returned to "0" after initialization.	0	✓	✓ (Note)

Note: You can perform the following operations from the LL50A menu.

- User setting initialization
- Factory default initialization

Error and Version Confirmation Menu (Menu: VER)

Parameter symbol	Name	Display level	Read only	UT55A UT52A	UT55A/MDL UT52A/MDL
PA.ER	Parameter error status	EASY	See Chapter 16.	✓	✓ (Note)
OP.ER	Option error status	EASY			
AD1.E	A/D converter error status 1	EASY			
AD2.E	A/D converter error status 2	EASY			
PV1.E	Loop-1 PV input error status	EASY			
PV2.E	Loop-2 PV input error status	EASY			
LA.ER	Ladder error status	EASY			
MCU	MCU version	EASY	See Chapter 13.	✓	✓ (Note)
DCU	DCU version	EASY			
ECU1	ECU-1 version	EASY			
ECU2	ECU-2 version	EASY			
ECU3	ECU-3 version	EASY			
ECU4	ECU-4 version	EASY			
PARA	Parameter version	EASY			
H.VER	Product version	EASY			
SER1	Serial number 1	EASY			
SER2	Serial number 2	EASY			
MAC1	MAC address 1	EASY			
MAC2	MAC address 2	EASY			
MAC3	MAC address 3	EASY			

When the following parameters are displayed, the terminal area (E1 to E4) is displayed on Group display.

- Parameter: ECU1, ECU2, ECU3, ECU4, MAC1, MAC2 and MAC3

Note: You can view the following status by establishing an online connection with the controller and using the LL50A tuning window.

- Parameter error (Register no. 2068)
- Option error (Register no. 2070)
- A/D converter error 1 (Register no. 2001)
- A/D converter error 2 (Register no. 2065)
- Loop-1 PV input error (Register no. 2002)
- Loop-2 PV input error (Register no. 2018)
- Ladder error (Register no. 2012)

18.2 List of Parameters

You can view and edit the following information on the LL50A system data window.

- MCU version
- DCU version
- ECU-1 version
- ECU-2 version
- ECU-3 version
- ECU-4 version
- Parameter version
- Product version

You can view and edit the following information on the LL50A communication execution window.

- Serial number 1
- Serial number 2

You can view the following information on the product's nameplate.

- MAC address 1
- MAC address 2
- MAC address 3

Parameter Display Level Menu (Menu: LVL)

Parameter symbol	Name	Display level	Setting range	Initial value	UT55A UT52A	UT55A/MDL UT52A/MDL
LEVL	Parameter display level	EASY	EASY: Easy setting mode STD: Standard setting mode PRO: Professional setting mode	STD	v	v

General Specifications

UT55A, UT52A Digital Indicating Controller (Panel Mounting Type)

UTAdvanced

Functional Enhancement

GS 05P01C31-01EN

Overview

The UT55A and UT52A digital indicating controllers employ an easy-to-read, 14-segment large color LCD display, along with navigation keys, thus greatly increasing the monitoring and operating capabilities. A ladder sequence function is included as standard. The short depth of the controller helps save instrument panel space. The UT55A and UT52A also support open networks such as Ethernet communication.

The UT55A and UT52A have a DIN rail mounting type (with option code /MDL). For more details, please see General Specification GS 05P01C81-01EN.

Features

- A 14-segment, active (PV display color changing function) color LCD display is employed. Two five-digit, high-resolution displays are possible. Alphabet letters can be displayed in an easy-to-read manner. The guide display shows parameter names.
- Easy to operate
Navigation keys (SET/ENTER and Up/Down/Left/Right arrow keys) are employed to facilitate making settings.
- 65 mm depth
The small depth enables the mounting in a thin and small instrumented panel.
- Ladder sequence function is included as standard. This function allows for creating a simple sequence control. Dedicated LL50A Parameter Setting Software (sold separately) allows for performing programming using a ladder language.
- Various built-in open network functions such as Ethernet are available. Easy connection with various vendors' PLCs is possible. (UT52A support CC-Link and RS485 communication only.)
- Quick setting function
Setting only the minimum necessary parameters for operation is possible. (For single-loop control only)
- Equipped with a multitude of functions
Universal I/O, eight control modes (cascade control, etc), and retransmission output are included as standard. PID control, heating/cooling control, feed forward control, etc. are available.
- LL50A Parameter Setting Software (sold separately)
The parameters and ladder programs of UTAdvanced digital indicating controller can be built from a PC using this software. It makes data management even easier.
- Dust-proof and drip-proof
IP66 (for front panel) (Not applicable to side-by-side close mounting.)
NEMA4 (Hose-down test only)

Functional Specifications

Control Specifications

(1) Control Mode

Control functions of the controller can be set as control modes.



Control mode	Function
SGL (1)	Single-loop control
CAS1 (2)	Cascade primary-loop control ^{(*)1}
CAS2 (3)	Cascade secondary-loop control ^{(*)1}
CAS (4)	Cascade control ^{(*)1}
BUM (5)	Loop control for backup ^{(*)1}
PVSW (6)	Loop control with PV switching ^{(*)1}
PVSEL (7)	Loop control with PV auto-selector (Max./Min./Ave./Diff.) ^{(*)1}
PVHD (8)	Control with PV-hold function

*1: Remote auxiliary analog input is required.

2) Control period

Selectable from 50 ms ^{(*)2}, 100 ms, and 200 ms

*2: Cascade control (Control mode 4) cannot be used. "Super" function or "Super 2" function cannot be used.

Table of Number of Inputs and Outputs

Model and suffix code (See the model code)	Number of analog input points	Number of analog output points ^{(*)3}	Number of contact input points ^{(*)4}	Number of contact output points ^{(*)5}
UT55A				
-x0x	1	1	3	3
-x1x	2	1	9 (8)	8
-x2x	2	1	4 (3)	3
-x3x	1	1	8	8
-x4x	2	1	4 (3)	3
-x5x	2	1	9 (8)	8
-x6x	1	1	8	18
-x7x	4	1	6 (5)	3
UT52A				
-x0x	1	1	3	3
-x1x	2	1	3	3
-x2x	2	1	4 (3)	3
-x3x	1	1	5	5

*3: Excluding control output

*4: The numbers in parentheses show the numbers of points in each model with RSP direct input. (/DR option.)

*5: Excluding control output relays

Control Computation Specifications

(1) Combination of types of control and control modes

Types of control	Control mode							
	1	2	3	4	5	6	7	8
PID control	√	√ ^{(*)6}	√	√	√	√	√	√
ON/OFF control ^{(*)6}	√	N/A	N/A	N/A	N/A	√	√	N/A
Two-position, two-level control ^{(*)7}	√	N/A	N/A	N/A	N/A	N/A	N/A	N/A
Heating and cooling control ^{(*)7}	√	N/A	√	√	√	√	√	√
Sample PI control	√	N/A	N/A	N/A	N/A	√	√	√
Batch PID control	√	N/A	N/A	N/A	N/A	√	√	√
Feedforward control	√	N/A	N/A	N/A	N/A	N/A	N/A	√

√: Available N/A: Not Available

*6: Not selectable for Position proportional type

*7: Selectable for heating and cooling control

(2) Control Computation Function

(a) Target setting point and the number of PID parameter groups

Respectively, eight sets of target setpoints, alarm setpoints, and PID parameters can be set. For cascade control, respectively, eight sets can be set for main (primary side) and slave (secondary side).

(b) Selecting the PID parameter group

The following PID parameter groups can be selected.

- Target setpoint number (SPNO) (The PID number can be set arbitrarily.)
- Measured input zone PID
- Target setpoint zone PID
- Reached target setpoint zone PID

(c) Auto-tuning

- Tuning results can be selected from two options, Normal or Stable.

- Tuning output limit can be set. (It cannot be used in heating/cooling control.)

(d) "Super" function: Overshoot-suppressing function

(e) "Super 2" function: Hunting-suppressing function

(f) STOP preset output function

(g) Input ERROR preset output function

(h) MANUAL preset output function

(3) Operation Mode Switching

Operation mode switching	AUTO/MANUAL and RUN/STOP switching CASCADE/AUTO/MANUAL switching REMOTE/LOCAL switching
--------------------------	---

(4) Control Parameter Setting Range

Proportional band	0.1 to 999.9%
Integral time	1 to 6000 sec. or OFF (using manual reset)
Derivative time	1 to 6000 sec. or OFF
ON/OFF control hysteresis (one or two hysteresis points)	0.0 to 100.0% of measured input range width
Preset output value	-5.0 to 105.0% (however, 0 mA or less cannot be output)
High/low output limiter	-5.0 to 105.0% Low limit setpoint < high limit setpoint
Tight shut function	When manual control is carried out with 4 to 20 mA output, control output can be reduced to about 0 mA.
Rate-of-change limiter of output	0.1 to 100.0%/sec., OFF
Output deadband	For heating and cooling control: -100.0 to 50.0% For position proportional control: 1.0 to 10.0%

(5) Ladder computation period

Ladder computation period is the same as control period.

Alarm Functions

• Types of Alarm

Measured value alarm	PV (measured value) high/low limit alarm Deviation high/low limit alarm
Deviation alarm	Deviation high and low limits alarm Deviation within high and low limits alarm
Rate-of-change alarm	Analog input PV high/low limit alarm Analog input RSP (ROMOTE) SP high/low limit alarm Auxiliary analog input high/low limit alarm Feedback input high/low limit alarm PV rate-of-change alarm
Setpoint alarm	SP (setpoint) high/low limit alarm Target SP high/low limit alarm Target SP deviation high/low limit alarm Target SP deviation high and low limits alarm Target SP deviation within high and low limits alarm
Output alarm	Control output high/low limit alarm Cooling control output high/low limit alarm
Other alarms	Heater disconnection alarm (for /HA option) Self-diagnosis alarm FAIL

• Alarm Functions

Alarm output action	Alarm stand-by action Alarm latch (forced reset) function Alarm hysteresis Alarm ON/OFF delay timer
Number of alarm settings	8 (per loop)
Number of alarm output points	Up to 18 (differs by model code)

Contact I/O Function

This function allows for allocating the input error condition, operation condition, alarm condition or other conditions to the contact input and contact output.

Contact input	AUTO/MANUAL switching
	REMOTE/LOCAL switching
	STOP/START switching
	Switching to CASCADE
	Switching to AUTO
	Switching to MANUAL
	Switching to REMOTE
	Switching to LOCAL
	AUTO-TUNING START/STOP switching
	OUTPUT TRACKING switching
	Two-input switching
	PV Hold
	LCD backlight ON/OFF switching
Message interrupt displays 1 through 4	
SP number specification	
PID number specification	
Manual preset output number specification	
Contact output	Loop 1 alarms 1 through 8
	Loop 2 alarms 1 through 8 (for cascade control)
	Status output

Ladder Sequence Function

(1) Number of I/O Points

	UT55A	UT52A
Number of digital input points	Up to 9	Up to 5
Number of digital output points	Up to 18	Up to 5

This is limited by the number of contact I/O signal points. (See the model code.)

(2) Types of Command

	Number of commands	Remark
Number of basic command types	13	Load, AND, OR, Timer, Counter, etc.
Number of application command types	73	Comparison, reverse, addition/subtraction/multiplication/division, logic operation, high/low limiter, etc.

(4) Program capacity

Max. Program capacity: 500 steps *

*: Available number of steps differs according to the parameters, using command and control period.

(5) Ladder computation period

Ladder computation period is the same as control period.

(3) Sequence Device

	Types of device	Number of points
Digital I/O	Input relay	9 (max)
	Output relay	18 (max)
Internal device	M relay (bit data)	256
	DAT register (data)	28
	P register (parameter)	10
	K register (constant)	30
Special device	Special relay (bit data)	12

* Process data and process relay can be used besides the above-mentioned.

Communication Function

	Function	Method	Interface	Targets	Max connection	Communication Data
Modbus/TCP	A standard industry protocol allowing communications between the controller and devices such as PCs, PLCs, and DCSs.	Server	Ethernet	PLC and others	2 connections	PV, SP, OUT, ALM etc
		Gateway	Ethernet +RS-485	RS-485: UT75A, UT55A, UT52A, UT35A, UT32A, UP55A, UP35A, UM33A ^(*)	31 units	
Slave		RS-485	PLC and others, UT75A, UT55A, UT52A, UT35A, UT32A, UP55A, UP35A, UP32A, UM33A ^(*)	31 units		
Slave		RS-485	PLC and others	Number of nodes: 126		
Modbus master function		RS-485	UT75A, UT55A, UT52A, UT35A, UT32A, UP55A, UP35A	31 Units (Main Controller is included.)		
Slave		RS-485	PLC and others	Number of nodes: 42 (Remote device)		
Modbus master function		RS-485	UT75A, UT55A, UT52A, UT35A, UT32A, UP55A, UP35A, UP32A, UM33A	31 Units (Main Controller is included.)		
CC-Link	Used for communication between PLCs and remote I/O, enabling high-speed data transmission.	Slave	RS-485	PLC and others	Number of nodes: 42 (Remote device)	
DeviceNet	A protocol allowing multiple controllers to send and receive data between one another. The Ladder Program is used.	Modbus master function	RS-485	UT75A, UT55A, UT52A, UT35A, UT32A, UP55A, UP35A, UP32A, UM33A	31 Units (Main Controller is included.)	
		Slave	RS-485	PLC and others	Number of nodes: 64	
Modbus master function		RS-485	UT75A, UT55A, UT52A, UT35A, UT32A, UP55A, UP35A, UP32A ^(*)	31 Units (Main Controller is included.)		
Peer to peer		Multi-drop	RS-485 (2 wire only)	UT75A, UT55A, UT52A, UT35A, UT32A, UP55A, UP35A, UP32A	Read/Write: 4 units Read only : 28 units	
Coordinated Communication		Master/Slave	RS-485	UT75A, UT55A, UT52A, UT35A, UT32A, UP55A, UP35A, UP32A ^(*)	Master : 1 unit Slave : 31 units	
PC link		The proprietary Yokogawa protocol allowing communications to PCs, PLCs and touch panels.	Slave	RS-485	PC and others, UT75A, UT55A, UT52A, UT35A, UT32A, UP55A, UP35A, UP32A, UM33A ^(*)	31units
Ladder		A protocol to communicate to PLCs.				

*1: UT digital indicating controller, Signal conditioner JUXTA, Power monitor POWERCERT can be connected.

*2: UT digital indication controllers can be connected.

■ Hardware Specifications

Display Specifications

- PV display
5-digit, 14-segment active color LCD (white/red)
Character height: 21.5 mm for UT55A and 13.0 mm for UT52A
- Data display
5-digit, 11-segment color LCD (orange)
- Bar graph display
12-segment color LCD (orange and white)

Universal Input Specifications

- Number of input points: 1
- Types of input, instrument range, and measurement accuracy (see the table below)

Types of input	Instrument range		Accuracy	
	°C	°F		
Thermocouple	K	-270.0 to 1370.0°C	-450.0 to 2500.0°F	±0.1% of instrument range ±1 digit for 0°C or more
		-270.0 to 1000.0°C	-450.0 to 2300.0°F	
		-200.0 to 500.0°C	-200.0 to 1000.0°F	
	J	-200.0 to 1200.0°C	-300.0 to 2300.0°F	±0.2% of instrument range ±1 digit for less than 0°C
		-270.0 to 400.0°C	-450.0 to 750.0°F	
	T	0.0 to 400.0°C	-200.0 to 750.0°F	±0.15% of instrument range ±1 digit for less than -200°C of thermocouple K ±1% of instrument range ±1 digit for less than -200°C of thermocouple T
	B	0.0 to 1800.0°C	32 to 3300°F	±0.15% of instrument range ±1 digit for 400°C or more ±5% of instrument range ±1 digit for less than 400°C
	S	0.0 to 1700.0°C	32 to 3100°F	±0.15% of instrument range ±1 digit
	R	0.0 to 1700.0°C	32 to 3100°F	±0.15% of instrument range ±1 digit
	N	-200.0 to 1300.0°C	-300.0 to 2400.0°F	±0.1% of instrument range ±1 digit ±0.25% of instrument range ±1 digit for less than 0°C
	E	-270.0 to 1000.0°C	-450.0 to 1800.0°F	±0.1% of instrument range ±1 digit for 0°C or more
	L	-200.0 to 900.0°C	-300.0 to 1600.0°F	
	U	-200.0 to 400.0°C	-300.0 to 750.0°F	±0.2% of instrument range ±1 digit for less than 0°C
		0.0 to 400.0°C	-200.0 to 1000.0°F	
	W ⁽²⁾	0.0 to 2300.0°C	32 to 4200°F	±0.2% of instrument range ±1 digit
	Platinel 2	0.0 to 1390.0°C	32.0 to 2500.0°F	±0.1% of instrument range ±1 digit
PR20-40	0.0 to 1900.0°C	32 to 3400°F	±0.5% of instrument range ±1 digit for 800°C or more Accuracy not guaranteed for less than 800°C	
W97 Re3-W75 Re25	0.0 to 2000.0°C	32 to 3600°F	±0.2% of instrument range ±1 digit	
Resistance-temperature detector (RTD) 3-wire	JPt100	-200.0 to 500.0°C	-300.0 to 1000.0°F	±0.1% of instrument range ±1 digit ⁽¹⁾
		-150.00 to 150.00°C	-200.0 to 300.0°F	
	Pt100	-200.0 to 850.0°C	-300.0 to 1560.0°F	±0.1% of instrument range ±1 digit ⁽¹⁾
		-200.0 to 500.0°C	-300.0 to 1000.0°F	
	-150.00 to 150.00°C	-200.0 to 300.0°F	±0.1% of instrument range ±1 digit	
Standard signal	0.400 to 2.0000 V	-	±0.1% of instrument range ±1 digit	
	1.000 to 5.000 V	-		
	4.00 to 20.00 mA	-		
DC voltage	0.000 to 2.000 V	-	±0.1% of instrument range ±1 digit	
	0.00 to 10.00 V	-		
	-10.00 to 20.00 mV	-		
DC current	0.00 to 20.00 mA	-		

The accuracy is that in the standard operating conditions: 23 ±2°C, 55 ±10%RH, and power frequency at 50/60 Hz.

- *1: ±0.3°C and ±1 digit in the range between 0 and 100°C
±0.5°C ±1 digit in the range between -100 and 200°C
- *2: W-5% Re/W-26% Re (Hoskins Mfg.Co.), ASTM E988
- Applicable standards: JIS, IEC and DIN (ITS-90) for thermocouples and resistance-temperature detectors (RTD)
- Input sampling period: Synchronized to control period
- Burnout detection
Upscale and downscale of function, and OFF can be specified for the standard signal of thermocouple and resistance-temperature detector (RTD).
For integrated signal input, 0.1 V or 0.4 mA or less is judged as a burnout.
- Input bias current: 0.05 μA (for thermocouple and resistance-temperature detector (RTD))
- Resistance-temperature detector (RTD) measured current: About 0.16 mA
- Input resistance
1 MΩ or more for thermocouple/mV input
About 1 MΩ for voltage input
About 250 Ω for current input (with built-in shunt resistance)
- Allowable signal source resistance
250 Ω or less for thermocouple/mV input
Effect of signal source resistance: 0.1 μV/Ω or less
2 kΩ or less for DC voltage input
Effect of signal source resistance: about 0.01%/100 Ω
- Allowable wiring resistance
Up to 150 Ω per line for resistance-temperature detector (RTD) input (conductor resistance between the three lines shall be equal)
Effect of wiring resistance: ±0.1°C/10 Ω
- Allowable input voltage/current
±10 V DC for thermocouple/mV/mA or resistance-temperature detector (RTD) input
±20 V DC for V input
±40 mA DC for mA input
- Noise reduction ratio
40 dB or more (at 50/60 Hz) in normal mode
120 dB or more (at 50/60 Hz) in common mode
- Reference junction compensation error
±1.0°C (15 to 35°C)
±1.5°C (-10 to 5°C and 35 to 50°C)

Auxiliary Analog Input Specifications

- This function can be used for remote setpoint setting, external compensating input, auxiliary input for computation, etc.
- Number of input points: see the model code table.
- For types of input, instrument range, and measurement accuracy, see the table below.

Types of input	Instrument range	Accuracy
Integrated signal	0.400 to 2.000 V	±0.2% of instrument range ±1 digit
	1.000 to 5.000 V	±0.1% of instrument range ±1 digit
DC voltage	0.000 to 2.000 V	±0.2% of instrument range ±1 digit
	0.00 to 10.00 V	±0.1% of instrument range ±1 digit
DC voltage with High input impedance	0.000 to 1.250 V	±0.1% of instrument range ±1 digit

- Input sampling period: Synchronized to control period
- Input resistance: about 1 MΩ
However, 10 MΩ or more for high input impedance
- Burnout detection: Functions at standard signal
Burnout is determined to have occurred if it is 0.1 V or less.

Remote Input with Direct Input Specifications (for /DR Option)

(3-wire or 4-wire when RTD is selected)

- Number of input points: 1 point
- Types of input, instrument range, and measurement accuracy are the same as those of universal input (standard), except for the table below.

Types of input		Instrument range		Accuracy
		°C	°F	
4-wire RTD	JPT100	-200.0 to 500.0°C	-300.0 to 1000.0°F	±0.5°C ±1 digit
		-150.00 to 150.00°C	-200.0 to 300.0°F	±0.2°C ±1 digit
	Pt100	-200.0 to 850.0°C	-300.0 to 1560.0°F	±0.1% of instrument range ±1 digit (*)
		-200.0 to 500.0°C	-300.0 to 1000.0°F	±0.5°C ±1 digit
		-150.00 to 150.00°C	-200.0 to 300.0°F	±0.2°C ±1 digit

*: ±0.5 °C ±1 digit in the range of -200.0 to 500.0 °C

- Input sampling period: Synchronized to control period
- Burnout detection: Same as universal input

Contact Input Specifications

- Number of points: 3 points (standard)
For the maximum number of points, see the model and suffix code table.
- Input type: no-voltage contact input or transistor contact input
- Input contact capacity: 12 V DC, 10 mA or more
Be sure to use a contact with a minimum ON current of 1 mA or less
- ON/OFF detection
For no-voltage contact input:
Contact resistance 1 kΩ or less in ON state
Contact resistance 50 kΩ or more in OFF state
Transistor contact input:
2 V or less in ON state
Leak current 100 μA or less in OFF state
- Status detection minimum hold time: control period + 50 ms
- Application: SP switching, operation mode switching, event input

Analog Output Specifications

- Number of points
Control output (heating-side output): 1 point (standard), which is shared with transmission output
Cooling-side output: 1 point, which is shared with transmission output
- Output functions
Current output or voltage pulse output
- Current output
4 to 20 mA DC or 0 to 20 mA DC/load resistance 600 Ω or less
- Current output accuracy
±0.1% of span (however, ±5% of span for 1 mA or less)
The accuracy is that in the standard operating conditions: 23 ±2°C, 55 ±10%RH, and power frequency at 50/60 Hz
- Voltage pulse output
Application: time proportional output
ON voltage: 12 V or more/load resistance of 600 Ω or more
OFF voltage: 0.1 V DC or less
Time resolution: 10 ms or 0.1% of output value, whichever is larger

Retransmission Output Specifications

- Number of points: 1 point (standard), which is shared with 15 V DC loop power supply
Additional 2 points when analog control output and cooling-side analog control output are not used
- Output function: current output
4 to 20 mA DC or 0 to 20 mA DC/load resistance 600 Ω or less
- Current output accuracy (conversion accuracy from PV display on the set scale): ±0.1% of span (however, ±5% of span for 1 mA or less)
The accuracy is that in the basic operating conditions: 23 ±2°C, 55 ±10%RH, and power frequency at 50/60 Hz
This is not conversion accuracy through input and output but the performance of transmission output itself.

15V DC Loop Power Supply Specifications

- Number of points: 1 point (standard), which is shared with retransmission output
Control output (1 point) can also be used.
- Supply voltage: 14.5 to 18.0 V DC
- Maximum supply current: about 21 mA (with short-circuit current limiting circuit)

Step Response Time Specifications

Within 500 ms (for a control period of 50 ms or 100 ms)
Within 1 s (for a control period of 200 ms)

(Response time at 63% of transmission output when a change is made stepwise in the range between 10 and 90% of input span)

Relay Contact Output Specifications

- Types of contact and number of points
Control relay output: one 1c-contact point
Cooling output of heating and cooling control:
one 1c-contact point (For UT55A only)
For UT52A heating/cooling output:
2 1a-contact points
Alarm output: 3 1a-contact points (Common is separated)
- Contact rating
1c-contact: 3 A at 250 V AC or 3 A at 30 V DC (resistance load)
1a-contact:
For alarm output: 1 A at 240 V AC or 1 A at 30 V DC (resistance load)
For UT52A control relay output: 3 A at 240 V AC or 3 A at 30 V DC (resistance load)
- *: The control output should always be used with a load of 10 mA or more.
The alarm output should always be used with a load of 1 mA or more.
- Application: time proportional output, alarm output, FAIL output, etc.
- Time resolution for control output: 10 ms or 0.1% of output value, whichever is larger

Transistor Contact Output Specifications

- Number of points: see the model and suffix code table
- Output form: open collector (sink current)
- Output contact capacity: Up to 24 V DC, 50 mA
- Output time resolution: min 50 ms
- Application: alarm output, FAIL output, etc.

Position Proportional Output Specifications

- Position signal input
 - Slide resistance: 100 Ω to 2.5 k Ω of total resistance
 - 100% side and slide line: with disconnection detection
 - 0% side: without disconnection detection
 - Current input: 4 to 20 mA DC (with disconnection detection)
 - Input resistance: about 330 Ω
- Sampling period: 50 ms
- Measurement resolution: 0.1% of input span
- Position proportional relay output
 - UT55A: Two 1a-contact points, 3 A at 250 V AC or 3A at 30 V DC (resistance load)
 - UT52A: Two 1a-contact points, 3 A at 240 V AC or 3A at 30 V DC (resistance load)

*: This should always be used with a load of 10 mA or more.

Heater Break Alarm Specifications (for /HA Option)

- Function: Measures the heater current using an external current transformer (CT) and generates a heater break alarm when the measured value is less than the disconnection detection value.
- Number of input points: 2 points
- Number of output points: 2 points (transistor contract output)
- CT input resistance: about 9.4 Ω
- CT input range: 0.0 to 0.1 Arms (0.12 Arms or more cannot be applied)
- Heater current alarm setting range: OFF, 0.1 to 300.0 Arms
- Heater current measured value display range: 0.0 to 360.0 Arms
 - *: The CT ratio can be set. CT ratio setting range: 1 to 3300
- Recommended CT: CT from URD Co. Ltd.
 - CTL-6-S-H: CT ratio 800, measurable current range: 0.1 to 80.0 Arms
 - CTL-12L-30: CT ratio 3000, measurable current range: 0.1 to 180.0 Arms
- Heater current measurement period: 200 ms
- Heater current measurement accuracy: $\pm 5\%$ of CT input range span ± 1 digit (CT error is not included)
- Heater current detection resolution: Within 1/250 of CT input range span
- Disconnection detection ON time: Minimum 200 ms. (for time proportional output)

24 V DC Loop Power Supply Specifications (for /LP Option)

- Application: Power is supplied to the 2-wire transmitter.
- Supply voltage: 21.6 to 28.0 V DC
- Rated current: 4 to 20 mA DC
- Maximum supply current: About 30 mA (with short-circuit current limiting circuit)

Safety and EMC Standards

- Safety:
 - Compliant with IEC/EN 61010-1 (CE), IEC/EN 61010-2-201 (CE), IEC/EN 61010-2-030 (CE), approved by CAN/CSA C22.2 No. 61010-1 (CSA), approved by UL 61010-1.
 - Installation category: II
 - Pollution degree: 2
 - Measurement category: I (CAT I) (UL, CSA)
O (Other) (CE)
 - Rated measurement input voltage: Max. 10 V DC
 - Rated transient overvoltage: 1500 V (*)
 - *: This is a reference safety standard value for measurement category I of CSA/UL 61010-1, and for measurement category O of IEC/EN 61010-2-030. This value is not necessarily a guarantee of instrument performance.
- EMC standards:
 - Compliant with CE marking
 - EN 61326-1 Class A, Table 2 (For use in industrial locations),
 - EN 61326-2-3
 - *: The instrument continues to operate at a measurement accuracy of within $\pm 20\%$ of the range during testing.
 - EN 55011 Class A, Group 1
 - EN 61000-3-2 Class A
 - EN 61000-3-3
 - EMC Regulatory Arrangement in Australia and New Zealand
 - EN 55011 Class A, Group 1
 - KC marking: Electromagnetic wave interference prevention standard, electromagnetic wave protection standard compliance

Power Supply Specifications and Isolation

- Power supply
 - Rated voltage: 100 to 240 V AC (+10%/-15%), 50/60 Hz
 - 24 V AC/DC (+10%/-15%) (When the /DC option is specified)
- Power consumption: UT55A: 18 VA (For the /DC option. DC: 9 VA, AC: 14 VA)
UT52A: 15 VA (For the /DC option. DC: 7 VA, AC: 11 VA)
- Storage: Nonvolatile memory
- Allowable power interruption time: 20 ms (at 100 V AC)
- Withstanding voltage
 - 2300 V AC for 1 minute between primary and secondary terminals (UL, CSA)
 - 3000 V AC for 1 minute between primary and secondary terminals (CE)
 - 1500 V AC for 1 minute between primary terminals
 - 500 V AC for 1 minute between secondary terminals (Primary terminals = Power (*) and relay output terminals, Secondary terminals = Analog I/O signal terminals, contact input terminals, communication terminals, and functional grounding terminals.)
 - *: Power terminals for 24 V AC/DC models are the secondary terminals.
- Insulation resistance
 - Between power supply terminals and a grounding terminal: 20 M Ω or more at 500 V DC

• Isolation specifications

PV (universal) input terminal	Internal circuits	Power supply
Remote (universal) input terminals with direct input / Remote input terminals		
Aux. analog (AIN2) input terminals		
Aux. analog (AIN4) input terminals		
Control and transmission (analog) output terminal (not isolated between the analog output terminals) Valve position (feedback) input terminal		
Control relay (c-contact) output terminal		
Alarm-1 relay (a-contact) output terminal		
Alarm-2 relay (a-contact) output terminal		
Alarm-3 relay (a-contact) output terminal		
Position proportional relay output terminal		
Contact input terminal (All) RS485 communication terminal (2 ports)		
24 V DC loop power supply terminal		
Contact output (transistor) terminal		
Ethernet/PROFIBUS-DP/CC-Link/DeviceNet communication terminal		
Current transformer input terminal		

The circuits divided by lines are insulated mutually.

Environmental Conditions

Normal operating conditions

- Ambient temperature: -10 to 50°C (side-by-side mounting: -10 to 40 °C)
If the CC-Link option is specified, 0 to 50 °C for UT55A, 0 to 40 °C for UT52A. (side-by-side mounting: 0 to 40 °C for UT55A and UT52A with CC-Link option)
- Ambient humidity: 20 to 90% RH (no condensation)
- Magnetic field: 400 A/m or less
- Continuous vibration (at 5 to 9 Hz) Half amplitude of 1.5 mm or less
(at 9 to 150 Hz) 4.9 m/s² or less, 1 oct/min for 90 minutes each in the three axis directions
- Rapid vibration: 14.7 m/s², 15 s or less
- Impact: 98 m/s² or less, 11 msec.
- Installation altitude: 2,000 m or less above sea level
- Warm-up time: 30 minutes or more after the power is turned on
- Start-up time within 10 s

Transportation and Storage Conditions

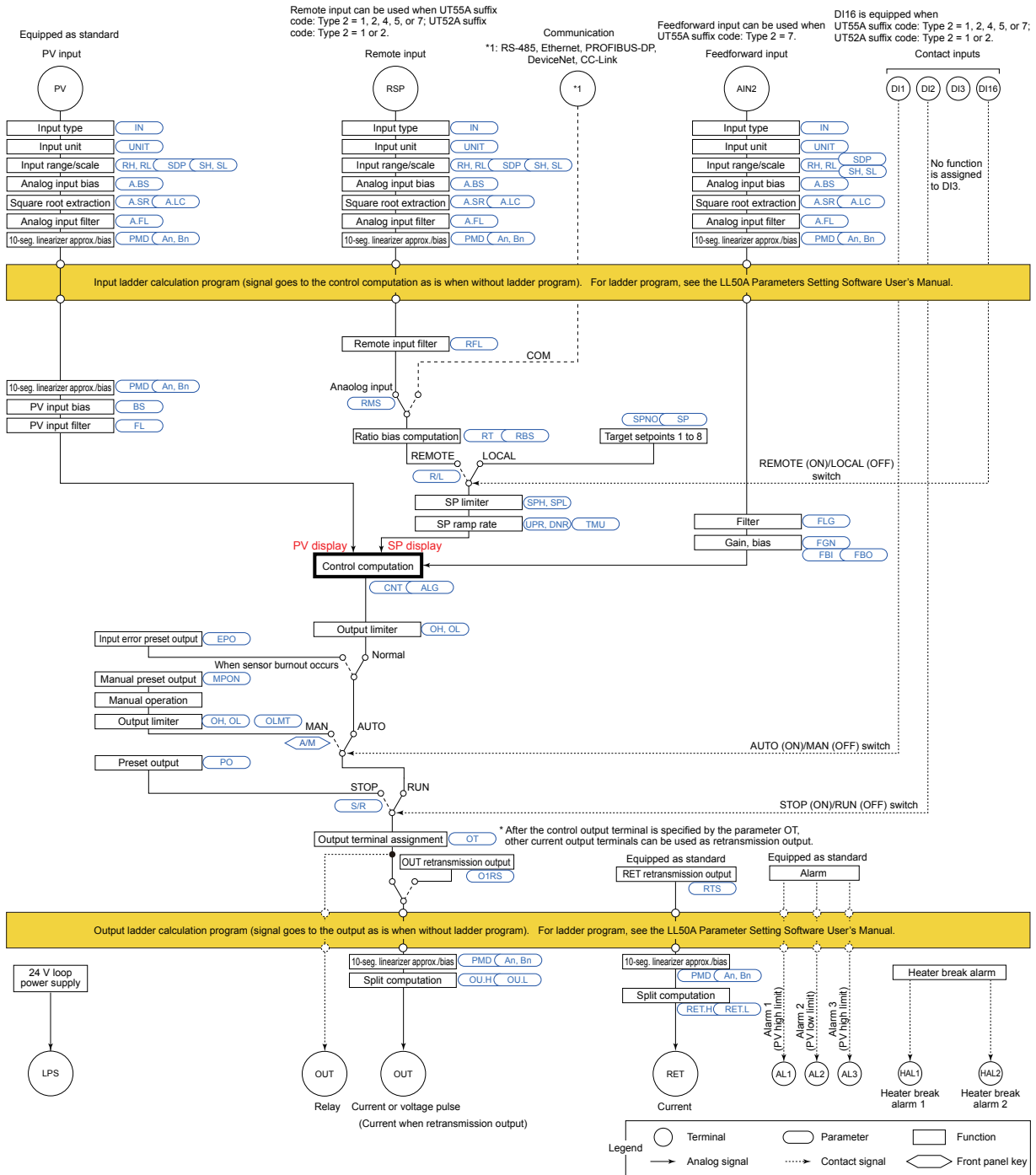
- Temperature: -25 to 70°C
- Temperature change rate: 20°C per hour or less
- Humidity: 5 to 95%RH (no condensation)

Effects of Operating Conditions

- Effect of ambient temperature
For voltage or TC input:
±1 μV/°C or ±0.01% of F.S. (instrument range)/°C, whichever is greater
For RTD input:
±0.05°C/°C (ambient temperature) or less
For current input:
±0.01% of F.S. (instrument range)/°C
For analog output:
±0.02% of F.S./°C or less
- Effect of power supply fluctuation:
For analog input: ±0.05% of F.S. (instrument range) or less
For analog output: ±0.05% of F.S. or less
(Each within rated voltage range)

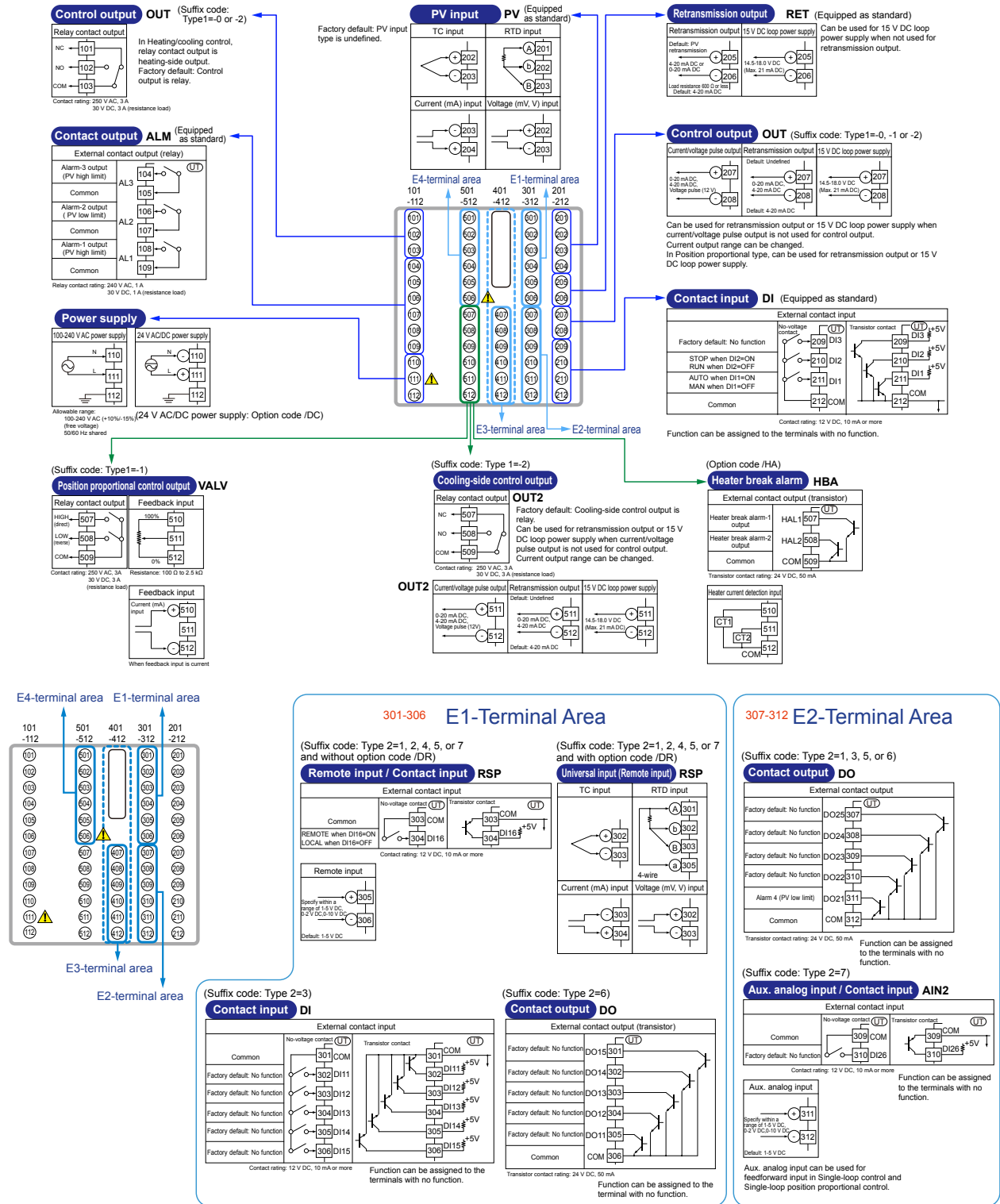
■ Block Diagram

Single Loop Control (For the block diagrams of other control modes, see the user's manual)



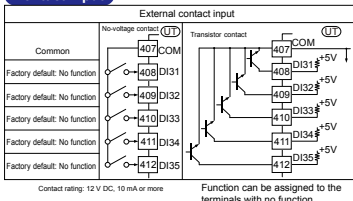
Terminal Arrangement

Terminal Arrangement for UT55A Single Loop Control (for the terminal arrangements of other control modes, see the user's manual.)

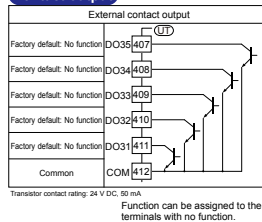


401-412 E3-Terminal Area

Contact input DI (Suffix code: Type 2=1)

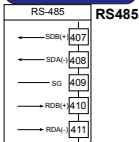


Contact output DO (Suffix code: Type 2=6)

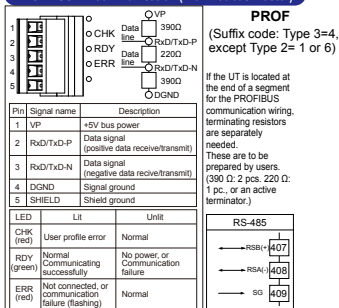


(Suffix code: Type 3=1, except Type 2= 1 or 6)

RS-485 communication

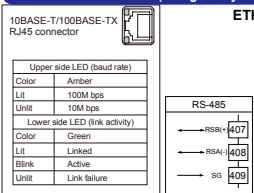


PROFIBUS-DP communication (with Modbus master)

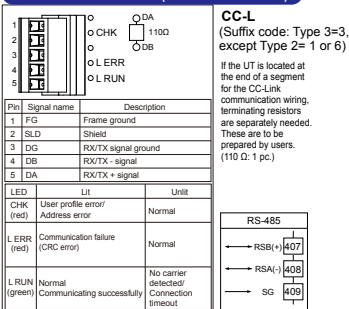


(Suffix code: Type 3=2, except Type 2= 1 or 6)

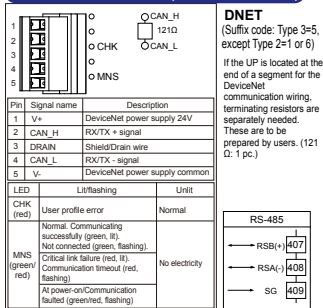
Ethernet communication (with gateway function)



CC-Link communication (with Modbus master)

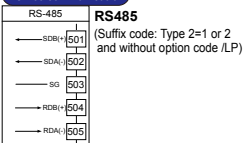


DeviceNet communication (with Modbus master)

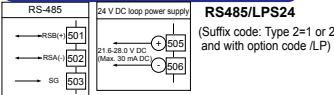


501-506 E4-Terminal Area

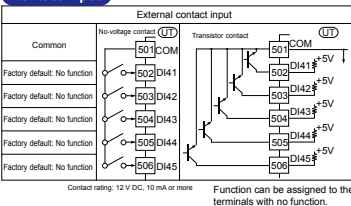
RS-485 communication



RS-485 communication/24 V DC loop power supply

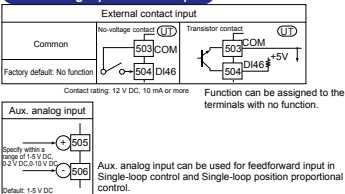


Contact input DI (Suffix code: Type 2=5 or 6)

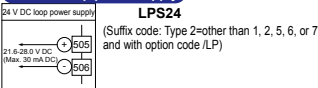


(Suffix code: Type 2=7)

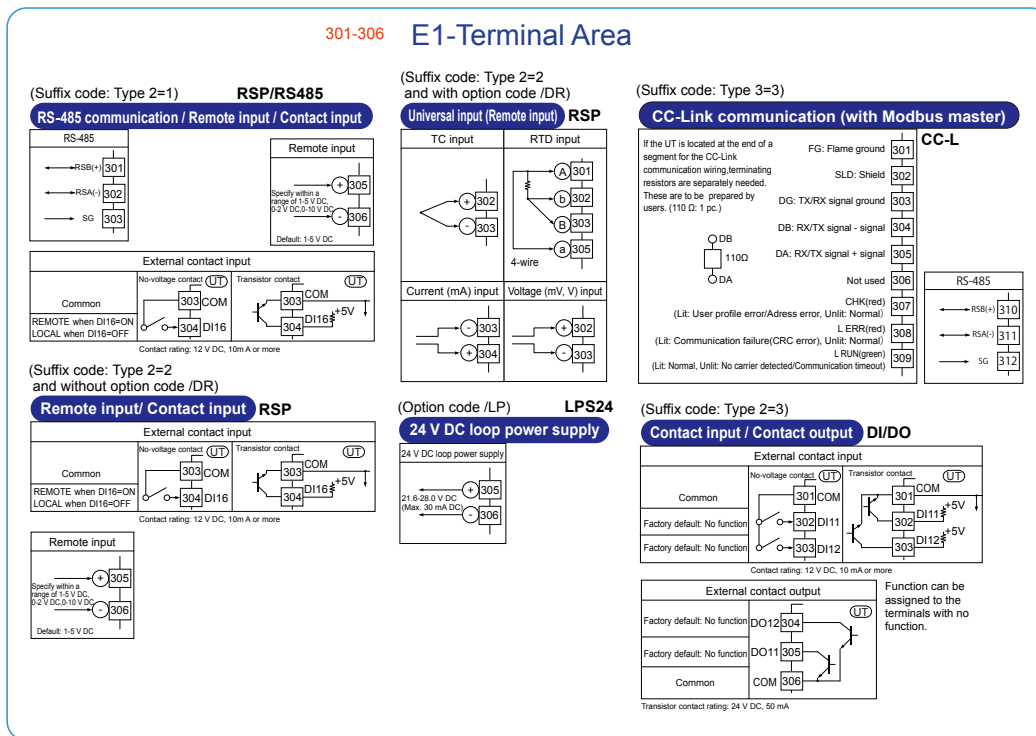
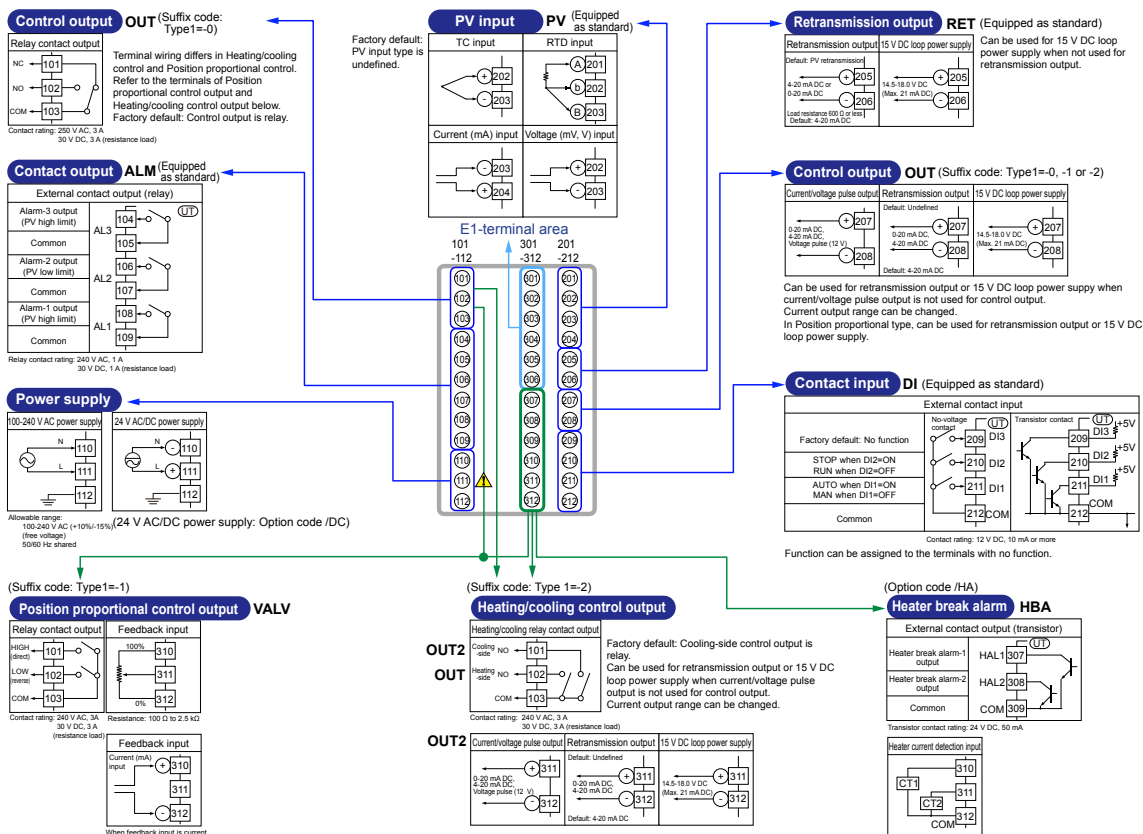
Aux. analog input/Contact input AIN4



24 V DC loop power supply



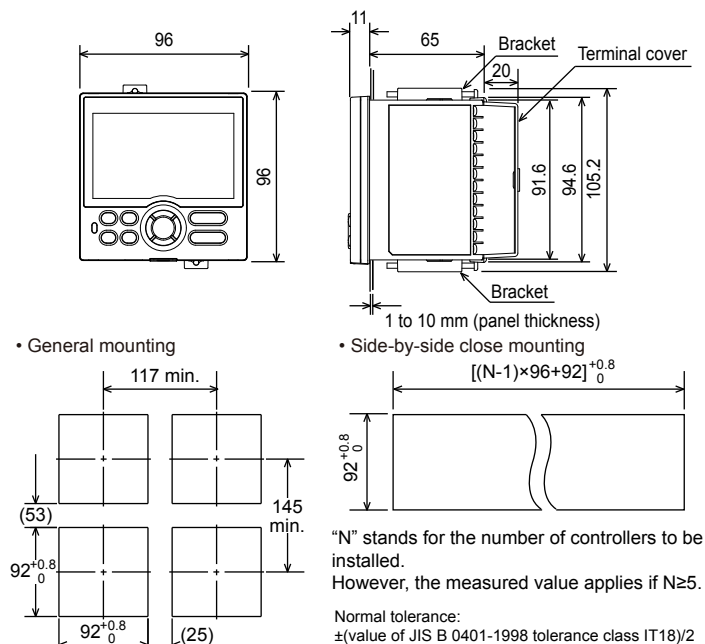
Terminal Arrangement for UT52A Single Loop Control (for the terminal arrangements of other control modes, see the user's manual.)



External Dimensions and Panel Cutout Dimensions

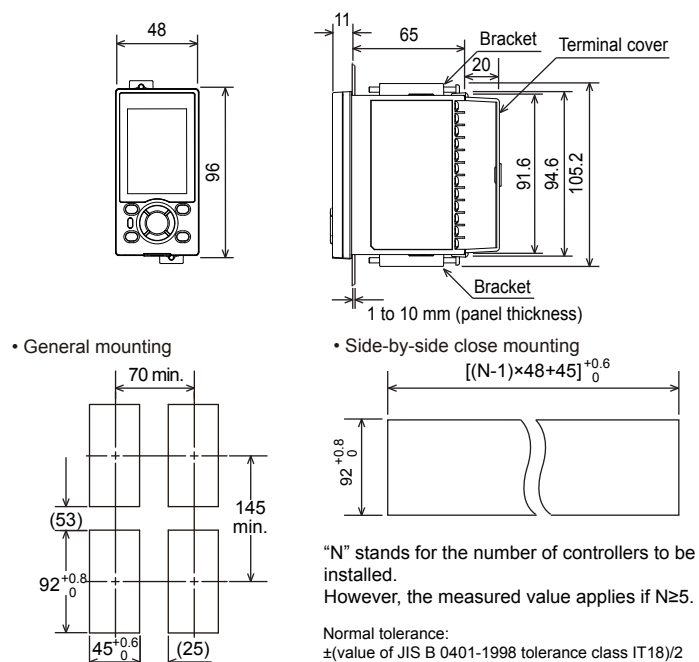
UT55A

Unit: mm



UT52A

Unit: mm



Construction, Mounting, and Wiring

- Dust-proof and drip-proof: IP66 (Front panel) (Except for side-by-side close mounting)/NEMA4 *
*: Hose-down test only
- Material: Polycarbonate resin (Flame retardancy: UL94 V-0)
- Case color: White (Light gray) or Black (Light Charcoal gray)
- Weight: 0.5 kg or less
- External dimensions (mm):
UT55A: 96 (width) x 96 (height) x 65 (depth from the panel surface)
UT52A: 48 (width) x 96 (height) x 65 (depth from the panel surface)

- Mounting: Direct panel mounting; mounting bracket, one each for upper and lower mounting
- Panel cutout dimensions (mm):
UT55A: $92^{+0.8/0}$ (width) x $92^{+0.8/0}$ (height)
UT52A: $45^{+0.6/0}$ (width) x $92^{+0.8/0}$ (height)
- Mounting position: Up to 30 degrees above the horizontal. No downward tilting allowed.
- Wiring: M3 screw terminal with square washer (signal wiring and power)

■ Model and Suffix Code

Model	Suffix code	Option code	Description
UT55A			Digital Indicating Controller (Power supply 100-240 V AC) (provided with retransmission output or 15 V DC loop power supply , 3 DIs, and 3 DOs)
Type 1: Basic control	-0 -1 -2		Standard type Position proportional type Heating/cooling type
Type 2: Functions	0		None
	1		Remote (1 additional aux. analog) input, 6 additional DIs, 5 additional DOs, and RS-485 communication (Max. 19.2 kbps, 2-wire/4-wire) ^{(*)1} ^{(*)2}
	2		Remote (1 additional aux. analog) input, 1 additional DI, and RS-485 communication (Max. 19.2 kbps, 2-wire/4-wire) ^{(*)2}
	3		5 additional DIs and 5 additional DOs
	4		Remote (1 additional aux. analog) input and 1 additional DI
	5		Remote (1 additional aux. analog) input, 6 additional DIs, and 5 additional DOs
	6		5 additional DIs, and 15 additional DOs ^{(*)1}
Type 3: Open networks	7		3 additional aux. analog inputs and 3 additional DIs
	0		None
	1		RS-485 communication (Max. 38.4 kbps, 2-wire/4-wire)
	2		Ethernet communication (with serial gateway function)
	3		CC-Link communication (with Modbus master function)
4		PROFIBUS-DP communication (with Modbus master function)	
5		DeviceNet communication (with Modbus master function)	
Display language ^{(*)3}	-1		English (Default. Can be switched to other language by the setting.)
	-2		German (Default. Can be switched to other language by the setting.)
	-3		French (Default. Can be switched to other language by the setting.)
	-4		Spanish (Default. Can be switched to other language by the setting.)
Case color	0		White (Light gray)
	1		Black (Light charcoal gray)
Fixed code		-00	Always "-00" (for Standard Code Model)
Option codes		/DR	Additional direct input (TC & 3-wire/4-wire RTD) and current to Remote (1 additional aux. analog) input, 1 DI to be deleted ^{(*)4}
		/LP	24 V DC loop power supply ^{(*)5}
		/HA	Heater break alarm ^{(*)6}
		/DC	Power supply 24 V AC/DC
		/CT	Coating ^{(*)7}
		/MDL	Mount on DIN rail (without the display parts and keys) (please see the General Specifications GS 05P01C81-01EN.)

*1: When the Type 2 code is "1" or "6", only "0" can be specified for the Type 3 code.

*2: When the /LP option is specified, the RS-485 communication of the Type 2 code "1" or "2" is 2-wire system.

*3: English, German, French, and Spanish are available for the guide display.

*4: The /DR option can be specified when the Type 2 code is any of "1", "2", "4", "5", or "7."

*5: The /LP option can be specified in the combination of Type 2 code (any of "0", "2", "3", or "4") and Type 3 code (any of "0" or "1"). Additionally the /LP option can be specified in the combination of Type 2 code "1" and Type 3 code "0".

*6: The /HA option can be specified only when the Type 1 code is "-0."

*7: When the /CT option is specified, the UT55A does not conform to the safety standards (UL and CSA) and CE marking (Products with /CT option are not intended for EEA-market).

Model	Suffix code	Option code	Description
UT52A			Digital Indicating Controller (Power supply 100-240 V AC) (provided with retransmission output or 15 V DC loop power supply , 3 DIs, and 3 DOs)
Type 1: Basic control	-0 -1 -2		Standard type Position proportional type Heating/cooling type
Type 2: Functions	0		None
	1		Remote (1 additional aux. analog) input, 1 additional DI, and RS-485 communication (Max. 38.4 kbps, 2-wire)
	2		Remote (1 additional aux. analog) input and 1 additional DI
3		2 additional DIs, and 2 additional DOs	
Type 3: Open networks	0		None
	3		CC-Link communication (with Modbus master function) ^{(*)1}
Display language ^{(*)2}	-1		English (Default. Can be switched to other language by the setting.)
	-2		German (Default. Can be switched to other language by the setting.)
	-3		French (Default. Can be switched to other language by the setting.)
	-4		Spanish (Default. Can be switched to other language by the setting.)
Case color	0		White (Light gray)
	1		Black (Light charcoal gray)
Fixed code		-00	Always "-00" (for Standard Code Model)
Option codes		/DR	Additional direct input (TC & 3-wire/4-wire RTD) and current to Remote (1 additional aux. analog) input, 1 DI to be deleted ^{(*)3}
		/LP	24 V DC loop power supply ^{(*)4}
		/HA	Heater break alarm ^{(*)5}
		/DC	Power supply 24 V AC/DC
		/CT	Coating ^{(*)6}
		/MDL	Mount on DIN rail (without the display parts and keys) (please see the General Specifications GS 05P01C81-01EN.)

*1: The Type 3 code "3" can be specified only when the Type 1 code is "-0" and the Type 2 code is "0."

*2: English, German, French, and Spanish are available for the guide display.

*3: The /DR option can be specified only when the Type 2 code is "2" and the Type 3 code is "0."

*4: The /LP option can be specified only when the Type 1 code is "-0" or "-1." Furthermore both Type 2 and Type 3 codes should be "0."

*5: The /HA option can be specified only when the Type 1 code is "-0" and the Type 3 code is "0."

*6: When the /CT option is specified, the UT52A does not conform to the safety standards (UL and CSA) and CE marking (Products with /CT option are not intended for EEA-market).

■ Items to be specified when ordering

Model and suffix codes, whether User's Manual and QIC required.

■ Standard accessories

Terminal cover, Brackets (mounting hardware), Unit label, and Operation Guide for Single-loop Control.

■ Special Order Items

Model code	Suffix code	Description
LL50A	-00	Parameter Setting Software
X010	See the General Specifications (*)	Resistance Module

*: Necessary to input the current signal to the voltage input terminal.

Name	Model
Terminal cover (for UT55A)	UTAP001
Terminal cover (for UT52A)	UTAP002
User's Manual (CD)	UTAP003

User's Manual

Product user's manuals can be downloaded or viewed at the following URL. To view the user's manual, you need to use Adobe Reader 7 or later by Adobe Systems.

URL: <http://www.yokogawa.com/ns/ut/im/>

General Specifications

UT55A/MDL, UT52A/MDL
Digital Indicating Controller
(DIN Rail Mounting Type)

UTAdvanced

Functional Enhancement

GS 05P01C81-01EN

Overview

The UT55A/MDL and UT52A/MDL controllers can be mounted in an enclosure. A ladder sequence function is included as standard. The short depth of the controller helps save a space in an enclosure. The UT55A and UT52A also support open networks such as Ethernet communication.

The UT55A and UT52A have a Panel mounting type (without option code /MDL). For more details, please see General Specification GS 05P01C31-01EN.

Features

- Simple panel surface
Mounting the controller in an enclosure simplifies the panel surface.
- Ladder sequence function is included as standard. This function allows for creating a simple sequence control. Dedicated LL50A Parameter Setting Software (sold separately) allows for performing programming using a ladder language.
- Various built-in open network functions such as Ethernet are available.
Easy connection with various vendors' PLCs is possible. (UT52A support CC-Link and RS485 communication only.)
- Equipped with a multitude of functions
Universal I/O, eight control modes (cascade control, etc), and retransmission output are included as standard. PID control, heating/cooling control, feed forward control, etc. are available.
- LL50A Parameter Setting Software (sold separately)
The parameters and ladder programs of UTAdvanced controller can be built from a PC using this software. It makes data management even easier.

Functional Specifications

Control Specifications

(1) Control Mode

Control functions of the controller can be set as control modes.

Control mode	Function
SGL (1)	Single-loop control
CAS1 (2)	Cascade primary-loop control ^{(*)1}
CAS2 (3)	Cascade secondary-loop control ^{(*)1}
CAS (4)	Cascade control ^{(*)1}
BUM (5)	Loop control for backup ^{(*)1}
PVSW (6)	Loop control with PV switching ^{(*)1}
PVSEL (7)	Loop control with PV auto-selector (Max./Min./Ave./Diff.) ^{(*)1}
PVHD (8)	Control with PV-hold function

*1: Remote auxiliary analog input is required.

2) Control period

Selectable from 50 ms ^{(*)2}, 100 ms, and 200 ms

*2: Cascade control (Control mode 4) cannot be used.
"Super" function or "Super 2" function cannot be used.



UT55A/MDL

UT52A/MDL

Table of Number of Inputs and Outputs

Model and suffix code (See the model code)	Number of analog input points	Number of analog output points ^{(*)3}	Number of contact input points ^{(*)4}	Number of contact output points ^{(*)5}
UT55A				
-x0x/MDL	1	1	3	3
-x2x/MDL	2	1	4	3
-x3x/MDL	1	1	8	8
-x4x/MDL	2	1	3	3
-x5x/MDL	2	1	9 (8)	8
-x7x/MDL	4	1	6 (5)	3
UT52A				
-x0x/MDL	1	1	3	3
-x1x/MDL	2	1	4 (3)	3

*3: Excluding control output

*4: The numbers in parentheses show the numbers of points in each model with RSP direct input. (/DR option).

*5: Excluding control output relays

Control Computation Specifications

(1) Combination of types of control and control modes

Types of control	Control mode							
	1	2	3	4	5	6	7	8
PID control	√	√	√	√	√	√	√	√
ON/OFF control	√	N/A	N/A	N/A	N/A	√	√	N/A
Two-position, two-level control ^{(*)6}	√	N/A	N/A	N/A	N/A	N/A	N/A	N/A
Heating and cooling control ^{(*)6}	√	N/A	√	√	√	√	√	√
Sample PI control	√	N/A	N/A	N/A	N/A	√	√	√
Batch PID control	√	N/A	N/A	N/A	N/A	√	√	√
Feedforward control	√	N/A	N/A	N/A	N/A	N/A	N/A	√

√: Available N/A: Not Available

*6: Selectable for heating and cooling control

(2) Control Computation Function

(a) Target setting point and the number of PID parameter groups

Respectively, eight sets of target setpoints, alarm setpoints, and PID parameters can be set. For cascade control, respectively, eight sets can be set for main (primary side) and slave (secondary side).

- (b) Selecting the PID parameter group
The following PID parameter groups can be selected.
- Target setpoint number (SPNO) (The PID number can be set arbitrarily.)
 - Measured input zone PID
 - Target setpoint zone PID
 - Reached target setpoint zone PID
- (c) Auto-tuning
- Tuning results can be selected from two options, Normal or Stable.
 - Tuning output limit can be set. (It cannot be used in heating/cooling control.)
- (d) "Super" function: Overshoot-suppressing function
- (e) "Super 2" function: Hunting-suppressing function
- (f) STOP preset output function
- (g) Input ERROR preset output function
- (h) MANUAL preset output function

(3) Operation Mode Switching

Operation mode switching	AUTO/MANUAL and RUN/STOP switching CASCADE/AUTO/MANUAL switching REMOTE/LOCAL switching
---------------------------------	---

(4) Control Parameter Setting Range

Proportional band	0.1 to 999.9%
Integral time	1 to 6000 sec. or OFF (using manual reset)
Derivative time	1 to 6000 sec. or OFF
ON/OFF control hysteresis (one or two hysteresis points)	0.0 to 100.0% of measured input range width
Preset output value	-5.0 to 105.0% (however, 0 mA or less cannot be output)
High/low output limiter	-5.0 to 105.0% Low limit setpoint < high limit setpoint
Tight shut function	When manual control is carried out with 4 to 20 mA output, control output can be reduced to about 0 mA.
Rate-of-change limiter of output	0.1 to 100.0%/sec., OFF
Output deadband	For heating and cooling control: -100.0 to 50.0%

(5) Ladder computation period

Ladder computation period is the same as control period.

Alarm Functions

- Types of Alarm

Measured value alarm	PV (measured value) high/low limit alarm
Deviation alarm	Deviation high/low limit alarm
Rate-of-change alarm	Deviation high and low limits alarm Deviation within high and low limits alarm Analog input PV high/low limit alarm Analog input RSP (ROMOTE) SP high/low limit alarm Auxiliary analog input high/low limit alarm PV rate-of-change alarm
Setpoint alarm	SP (setpoint) high/low limit alarm Target SP high/low limit alarm Target SP deviation high/low limit alarm Target SP deviation high and low limits alarm Target SP deviation within high and low limits alarm
Output alarm	Control output high/low limit alarm Cooling control output high/low limit alarm
Other alarms	Self-diagnosis alarm FAIL

- Alarm Functions

Alarm output action	Alarm stand-by action Alarm latch (forced reset) function Alarm hysteresis Alarm ON/OFF delay timer
Number of alarm settings	8 (per loop)
Number of alarm output points	Up to 8 (differs by model code)

Contact I/O Function

This function allows for allocating the input error condition, operation condition, alarm condition or other conditions to the contact input and contact output.

Contact input	AUTO/MANUAL switching
	REMOTE/LOCAL switching
	STOP/START switching
	Switching to CASCADE
	Switching to AUTO
	Switching to MANUAL
	Switching to REMOTE
	Switching to LOCAL
	AUTO-TUNING START/STOP switching
	OUTPUT TRACKING switching
	Two-input switching
	PV Hold
	SP number specification
PID number specification	
Manual preset output number specification	
Contact output	Loop 1 alarms 1 through 8
	Loop 2 alarms 1 through 8 (for cascade control)
	Status output

Ladder Sequence Function

(1) Number of I/O Points

	UT55A/MDL	UT52A/MDL
Number of digital input points	Up to 9	Up to 4
Number of digital output points	Up to 18	Up to 3

This is limited by the number of contact I/O signal points. (See the model code.)

(2) Types of Command

	Number of commands	Remark
Number of basic command types	13	Load, AND, OR, Timer, Counter, etc.
Number of application command types	73	Comparison, reverse, addition/subtraction/multiplication/division, logic operation, high/low limiter, etc.

(3) Sequence Device

	Types of device	Number of points
Digital I/O	Input relay	9 (max)
	Output relay	8 (max)
Internal device	M relay (bit data)	256
	DAT register (data)	28
	P register (parameter)	10
	K register (constant)	30
Special device	Special relay (bit data)	12

* Process data and process relay can be used besides the above-mentioned.

(4) Program capacity

Max. Program capacity: 500 steps *

*: Available number of steps differs according to the parameters, using command and control period.

(5) Ladder computation period

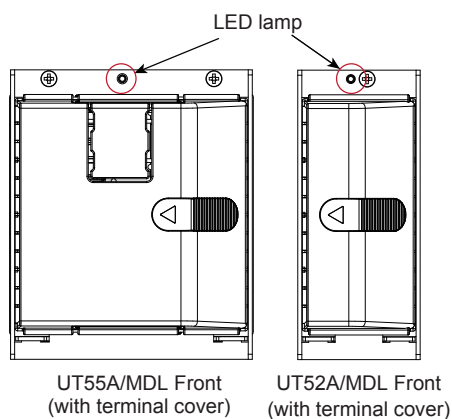
Ladder computation period is the same as control period.

Hardware Specifications

Display Specifications

The controller status can be verified with the LED.

Status	LED	Lit/Blinks	Description
Normal	Green	Lit	
Communication error	Green	Blinks	
Instrument failure	Red	Lit	Parameter error/ Hardware failure/Ladder program corruption.
Input error	Red	Blinks	sensor burnout, input over



Universal Input Specifications

- Number of input points: 1
- Types of input, instrument range, and measurement accuracy (see the table below)

Types of input	Instrument range		Accuracy	
	°C	°F		
Thermocouple	K	-270.0 to 1370.0°C	-450.0 to 2500.0°F	±0.1% of instrument range ±1 digit for 0°C or more
		-270.0 to 1000.0°C	-450.0 to 2300.0°F	
	J	-200.0 to 500.0°C	-200.0 to 1000.0°F	±0.2% of instrument range ±1 digit for less than 0°C
		-200.0 to 1200.0°C	-300.0 to 2300.0°F	
	T	-270.0 to 400.0°C	-450.0 to 750.0°F	However, ±2% of instrument range ±1 digit for less than -200°C of thermocouple K ±1% of instrument range ±1 digit for less than -200°C of thermocouple T
		0.0 to 400.0°C	-200.0 to 750.0°F	
	B	0.0 to 1800.0°C	32 to 3300°F	±0.15% of instrument range ±1 digit for 400°C or more ±5% of instrument range ±1 digit for less than 400°C
	S	0.0 to 1700.0°C	32 to 3100°F	±0.15% of instrument range ±1 digit
	R	0.0 to 1700.0°C	32 to 3100°F	±0.15% of instrument range ±1 digit
	N	-200.0 to 1300.0°C	-300.0 to 2400.0°F	±0.1% of instrument range ±1 digit ±0.25% of instrument range ±1 digit for less than 0°C
	E	-270.0 to 1000.0°C	-450.0 to 1800.0°F	±0.1% of instrument range ±1 digit for 0°C or more
	L	-200.0 to 900.0°C	-300.0 to 1600.0°F	
	U	-200.0 to 400.0°C	-300.0 to 750.0°F	±0.2% of instrument range ±1 digit for less than 0°C
		0.0 to 400.0°C	-200.0 to 1000.0°F	
	W ⁽²⁾	0.0 to 2300.0°C	32 to 4200°F	±0.2% of instrument range ±1 digit
	Platinel 2	0.0 to 1390.0°C	32.0 to 2500.0°F	±0.1% of instrument range ±1 digit
	PR20-40	0.0 to 1900.0°C	32 to 3400°F	±0.5% of instrument range ±1 digit for 800°C or more Accuracy not guaranteed for less than 800°C
W97 Re3-W75 Re25	0.0 to 2000.0°C	32 to 3600°F	±0.2% of instrument range ±1 digit	
Resistance-temperature detector (RTD) 3-wire	JPt100	-200.0 to 500.0°C	-300.0 to 1000.0°F	±0.1% of instrument range ±1 digit ^(*)
		-150.00 to 150.00°C	-200.0 to 300.0°F	
	Pt100	-200.0 to 850.0°C	-300.0 to 1560.0°F	±0.1% of instrument range ±1 digit ^(*)
-200.0 to 500.0°C		-300.0 to 1000.0°F		
Standard signal	0.400 to 2.0000 V	-	±0.1% of instrument range ±1 digit	
	1.000 to 5.000 V	-		
	4.00 to 20.00 mA	-		
DC voltage	0.000 to 2.000 V	-	±0.1% of instrument range ±1 digit	
	0.00 to 10.00 V	-		
	-10.00 to 20.00 mV	-		
DC current	0.00 to 20.00 mA	-		

The accuracy is that in the standard operating conditions: 23 ±2°C, 55 ±10%RH, and power frequency at 50/60 Hz.

*1: ±0.3°C and ±1 digit in the range between 0 and 100°C
±0.5°C ±1 digit in the range between -100 and 200°C

*2: W-5% Re/W-26% Re (Hoskins Mfg.Co.), ASTM E988

- Applicable standards: JIS, IEC and DIN (ITS-90) for thermocouples and resistance-temperature detectors (RTD)
- Input sampling period: Synchronized to control period

- Burnout detection
Upscale and downscale of function, and OFF can be specified for the standard signal of thermocouple and resistance-temperature detector (RTD). For integrated signal input, 0.1 V or 0.4 mA or less is judged as a burnout.
- Input bias current: 0.05 μ A (for thermocouple and resistance-temperature detector (RTD))
- Resistance-temperature detector (RTD) measured current: About 0.16 mA
- Input resistance
1 M Ω or more for thermocouple/mV input
About 1 M Ω for voltage input
About 250 Ω for current input (with built-in shunt resistance)
- Allowable signal source resistance
250 Ω or less for thermocouple/mV input
Effect of signal source resistance: 0.1 μ V/ Ω or less
2 k Ω or less for DC voltage input
Effect of signal source resistance: about 0.01%/100 Ω
- Allowable wiring resistance
Up to 150 Ω per line for resistance-temperature detector (RTD) input (conductor resistance between the three lines shall be equal)
Effect of wiring resistance: $\pm 0.1^\circ\text{C}/10 \Omega$
- Allowable input voltage/current
 ± 10 V DC for thermocouple/mV/mA or resistance-temperature detector (RTD) input
 ± 20 V DC for V input
 ± 40 mA DC for mA input
- Noise reduction ratio
40 dB or more (at 50/60 Hz) in normal mode
120 dB or more (at 50/60 Hz) in common mode
- Reference junction compensation error
 $\pm 1.0^\circ\text{C}$ (15 to 35°C)
 $\pm 1.5^\circ\text{C}$ (-10 to 5°C and 35 to 50°C)

Auxiliary Analog Input Specifications

- This function can be used for remote setpoint setting, external compensating input, auxiliary input for computation, etc.
- Number of input points: see the model code table.
- For types of input, instrument range, and measurement accuracy, see the table below.

Types of input	Instrument range	Accuracy
Integrated signal	0.400 to 2.000 V	$\pm 0.2\%$ of instrument range ± 1 digit
	1.000 to 5.000 V	$\pm 0.1\%$ of instrument range ± 1 digit
DC voltage	0.000 to 2.000 V	$\pm 0.2\%$ of instrument range ± 1 digit
	0.00 to 10.00 V	$\pm 0.1\%$ of instrument range ± 1 digit
DC voltage with High input impedance	0.000 to 1.250 V	$\pm 0.1\%$ of instrument range ± 1 digit

- Input sampling period: Synchronized to control period
- Input resistance: about 1 M Ω
However, 10 M Ω or more for high input impedance
- Burnout detection: Functions at standard signal
Burnout is determined to have occurred if it is 0.1 V or less.

Contact Input Specifications

- Number of points: 3 points (standard)
For the maximum number of points, see the model and suffix code table.
- Input type: no-voltage contact input or transistor contact input

- Input contact capacity: 12 V DC, 10 mA or more
Be sure to use a contact with a minimum ON current of 1 mA or less
- ON/OFF detection
For no-voltage contact input:
Contact resistance 1 k Ω or less in ON state
Contact resistance 50 k Ω or more in OFF state
Transistor contact input:
2 V or less in ON state
Leak current 100 μ A or less in OFF state
- Status detection minimum hold time: control period + 50 ms
- Application: SP switching, operation mode switching, event input

Analog Output Specifications

- Number of points
Control output (heating-side output): 1 point (standard), which is shared with transmission output
Cooling-side output: 1 point, which is shared with transmission output
- Output functions
Current output or voltage pulse output
- Current output
4 to 20 mA DC or 0 to 20 mA DC/load resistance 600 Ω or less
- Current output accuracy
 $\pm 0.1\%$ of span (however, $\pm 5\%$ of span for 1 mA or less)
The accuracy is that in the standard operating conditions: $23 \pm 2^\circ\text{C}$, $55 \pm 10\%$ RH, and power frequency at 50/60 Hz
- Voltage pulse output
Application: time proportional output
ON voltage: 12 V or more/load resistance of 600 Ω or more
OFF voltage: 0.1 V DC or less
Time resolution: 10 ms or 0.1% of output value, whichever is larger

Retransmission Output Specifications

- Number of points: 1 point (standard), which is shared with 15 V DC loop power supply
Additional 2 points when analog control output and cooling-side analog control output are not used
- Output function: current output
4 to 20 mA DC or 0 to 20 mA DC/load resistance 600 Ω or less
- Current output accuracy (conversion accuracy from PV value on the set scale): $\pm 0.1\%$ of span (however, $\pm 5\%$ of span for 1 mA or less)
The accuracy is that in the basic operating conditions: $23 \pm 2^\circ\text{C}$, $55 \pm 10\%$ RH, and power frequency at 50/60 Hz
This is not conversion accuracy through input and output but the performance of transmission output itself.

15V DC Loop Power Supply Specifications

- Number of points: 1 point (standard), which is shared with retransmission output
Control output (1 point) can also be used.
- Supply voltage: 14.5 to 18.0 V DC
- Maximum supply current: about 21 mA (with short-circuit current limiting circuit)

Step Response Time Specifications

Within 500 ms (for a control period of 50 ms or 100 ms)

Within 1 s (for a control period of 200 ms)

(Response time at 63% of transmission output when a change is made stepwise in the range between 10 and 90% of input span)

Relay Contact Output Specifications

- Types of contact and number of points
 - Control relay output: one 1c-contact point
 - Cooling output of heating and cooling control: one 1c-contact point (For UT55A/MDL only)
 - For UT52A/MDL heating/cooling output: 2, 1a-contact points
 - Alarm output: 3 1a-contact points (Common is separated)
- Contact rating
 - 1c-contact: 3 A at 250 V AC or 3 A at 30 V DC (resistance load)
 - 1a-contact:
 - For alarm output: 1 A at 240 V AC or 1 A at 30 V DC (resistance load)
 - For UT52A/MDL control relay output: 3 A at 240 V AC or 3 A at 30 V DC (resistance load)
- *: The control output should always be used with a load of 10 mA or more.
The alarm output should always be used with a load of 1 mA or more.
- Application: time proportional output, alarm output, FAIL output, etc.
- Time resolution for control output: 10 ms or 0.1% of output value, whichever is larger

Transistor Contact Output Specifications

- Number of points: see the model and suffix code table
- Output form: open collector (sink current)
- Output contact capacity: Up to 24 V DC, 50 mA
- Output time resolution: min 50 ms
- Application: alarm output, FAIL output, etc.

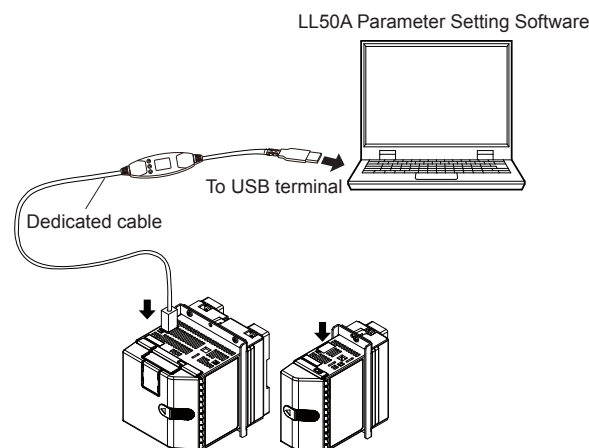
24 V DC Loop Power Supply Specifications (for /LP Option)

- Application: Power is supplied to the 2-wire transmitter.
- Supply voltage: 21.6 to 28.0 V DC
- Rated current: 4 to 20 mA DC
- Maximum supply current: About 30 mA (with short-circuit current limiting circuit)

Maintenance Port Specifications

The maintenance port is used to connect a dedicated cable when using the LL50A Parameter Setting Software (sold separately). Through this port, you can set controller parameters, download ladder programs, and so on.

For details, see the LL50A General Specifications (GS05P05A01-01EN).



Use LL50A with the controller turned on. (The dedicated cable must be connected. LL50A Light-loader adapter cannot be used.)

The maintenance port is not isolated from the PV input terminal. Use the port only for maintenance purposes, such as for setting the controller parameters.

Safety and EMC Standards

- Safety:
 - Compliant with IEC/EN 61010-1 (CE), IEC/EN 61010-2-201 (CE), IEC/EN 61010-2-030 (CE), approved by CAN/CSA C22.2 No. 61010-1 (CSA), approved by UL 61010-1.
 - Installation category: II
 - Pollution degree: 2
 - Measurement category: I (CAT I) (UL, CSA)
O (Other) (CE)
 - Rated measurement input voltage: Max. 10 V DC
 - Rated transient overvoltage: 1500 V (*)
 - *: This is a reference safety standard value for measurement category I of CSA/UL 61010-1, and for measurement category O of IEC/EN 61010-2-030. This value is not necessarily a guarantee of instrument performance.
- EMC standards:
 - Compliant with
 - CE marking
 - EN 61326-1 Class A, Table 2 (For use in industrial locations),
 - EN 61326-2-3
 - *: The instrument continues to operate at a measurement accuracy of within $\pm 20\%$ of the range during testing.
 - EN 55011 Class A, Group 1
 - EN 61000-3-2 Class A
 - EN 61000-3-3
 - EMC Regulatory Arrangement in Australia and New Zealand
 - EN 55011 Class A, Group 1
- KC marking: Electromagnetic wave interference prevention standard, electromagnetic wave protection standard compliance

Power Supply Specifications and Isolation

- Power supply
 - Rated voltage: 100 to 240 V AC (+10%/-15%), 50/60 Hz
24 V AC/DC (+10%/-15%) (When the /DC option is specified)
- Power consumption: UT55A/MDL: 18 VA (For the /DC option. DC: 9 VA, AC: 14 VA)
UT52A/MDL: 15 VA (For the /DC option. DC: 7 VA, AC: 11 VA)
- Storage: Nonvolatile memory
- Allowable power interruption time: 20 ms (at 100 V AC)
- Withstanding voltage
 - 2300 V AC for 1 minute between primary and secondary terminals (UL, CSA)
 - 3000 V AC for 1 minute between primary and secondary terminals (CE)
 - 1500 V AC for 1 minute between primary terminals
 - 500 V AC for 1 minute between secondary terminals (Primary terminals = Power (*) and relay output terminals, Secondary terminals = Analog I/O signal terminals, contact input terminals, communication terminals, and functional grounding terminals.)
- *: Power terminals for 24 V AC/DC models are the secondary terminals.
- Insulation resistance
 - Between power supply terminals and a grounding terminal: 20 M Ω or more at 500 V DC
- Isolation specifications

PV (universal) input terminal, Maintenance port	Internal circuits	Power supply
Remote input terminals		
Aux. analog (AIN2) input terminals		
Aux. analog (AIN4) input terminals		
Control and transmission (analog) output terminal (not isolated between the analog output terminals)		
Control relay (c-contact) output terminal		
Alarm-1 relay (a-contact) output terminal		
Alarm-2 relay (a-contact) output terminal		
Alarm-3 relay (a-contact) output terminal		
Contact input terminal (All) RS485 communication terminal		
Contact output (transistor) terminal		
Ethernet/PROFIBUS-DP/CC-Link/DeviceNet communication terminal		

The circuits divided by lines are insulated mutually.

Environmental Conditions

Normal operating conditions

- Ambient temperature: -10 to 50°C
 - If the CC-Link option is specified, 0 to 50 °C for UT55A/MDL; 0 to 40 °C for UT52A/MDL.
 - (side-by-side mounting: 0 to 50 °C for UT55A/MDL; 0 to 40 °C for UT52A/MDL)
- Ambient humidity: 20 to 90% RH (no condensation)
- Magnetic field: 400 A/m or less
- Continuous vibration (at 5 to 9 Hz) Half amplitude of 1.5 mm or less
 - (at 9 to 150 Hz) 4.9 m/s² or less, 1 oct/min for 90 minutes each in the three axis directions
- Rapid vibration: 14.7 m/s², 15 s or less
- Impact: 98 m/s² or less, 11 msec.
- Installation altitude: 2,000 m or less above sea level
- Warm-up time: 30 minutes or more after the power is turned on
- Start-up time within 10 s

Transportation and Storage Conditions

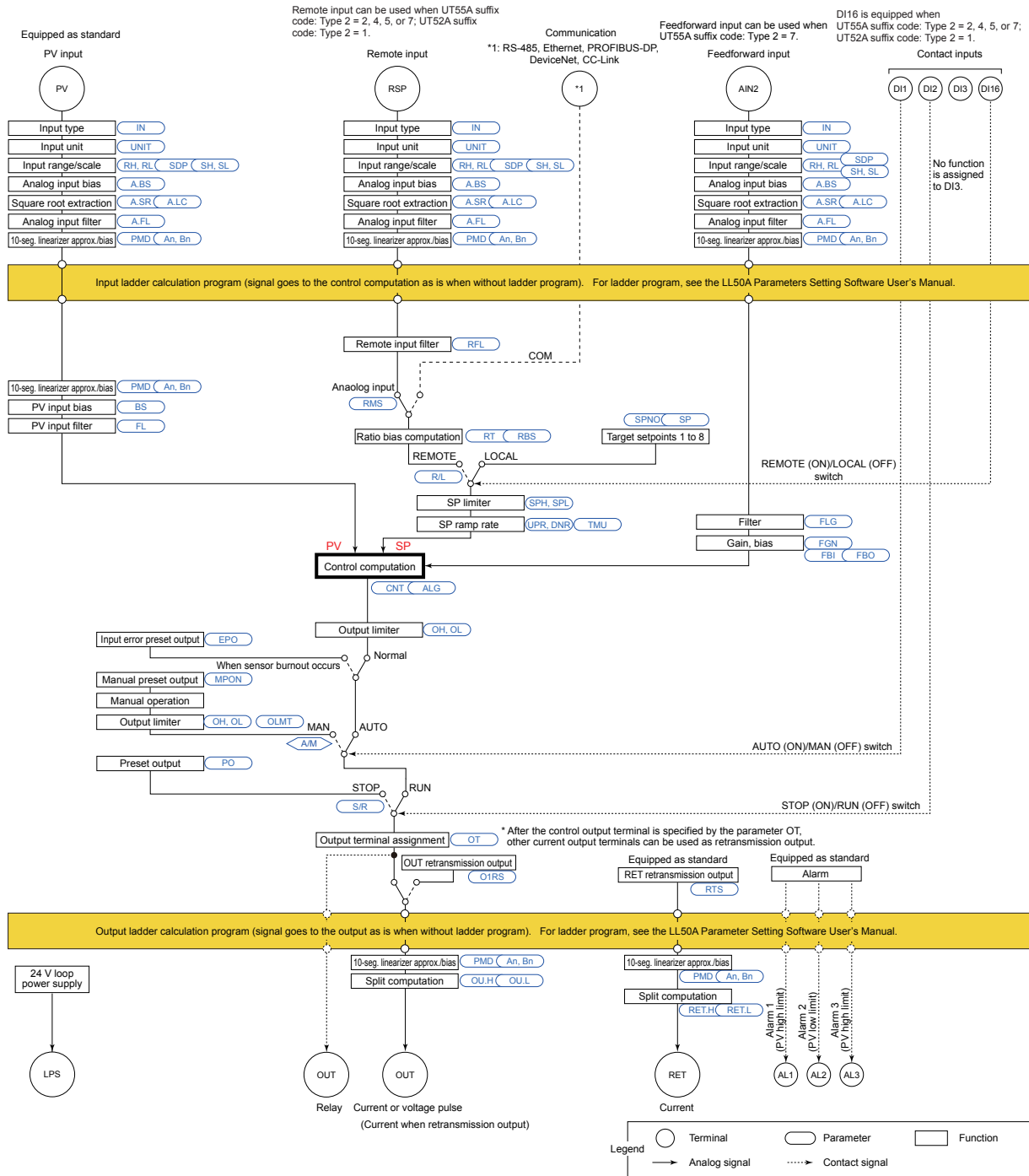
- Temperature: -25 to 70°C
- Temperature change rate: 20°C per hour or less
- Humidity: 5 to 95%RH (no condensation)

Effects of Operating Conditions

- Effect of ambient temperature
 - For voltage or TC input:
 - $\pm 1 \mu\text{V}/^\circ\text{C}$ or $\pm 0.01\%$ of F.S. (instrument range)/°C, whichever is greater
 - For RTD input:
 - $\pm 0.05^\circ\text{C}/^\circ\text{C}$ (ambient temperature) or less
 - For current input:
 - $\pm 0.01\%$ of F.S. (instrument range)/°C
 - For analog output:
 - $\pm 0.02\%$ of F.S./°C or less
- Effect of power supply fluctuation:
 - For analog input: $\pm 0.05\%$ of F.S. (instrument range) or less
 - For analog output: $\pm 0.05\%$ of F.S. or less (Each within rated voltage range)

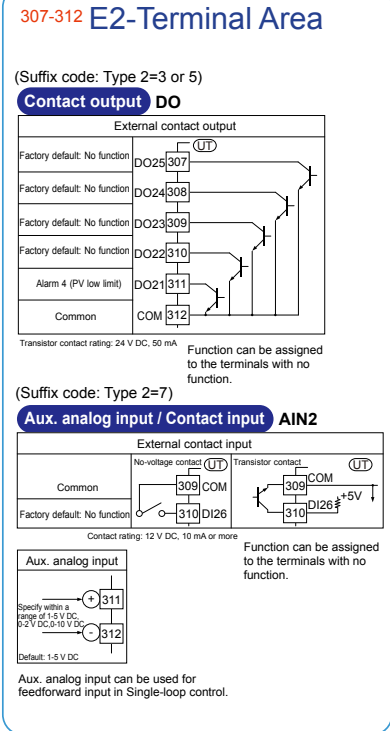
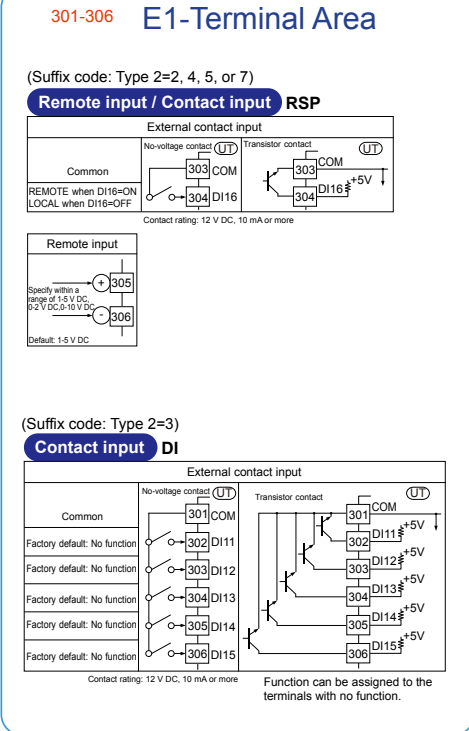
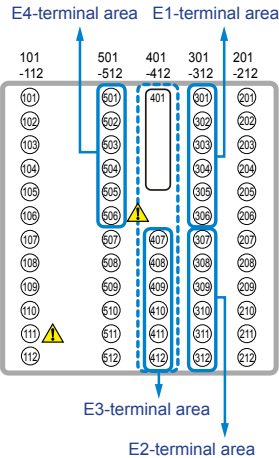
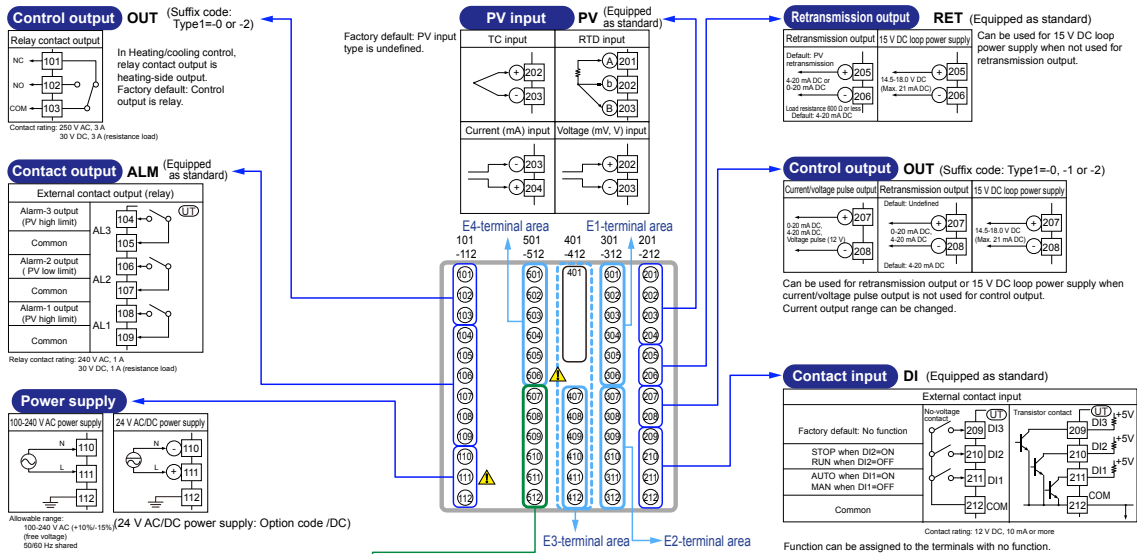
■ Block Diagram

Single Loop Control (For the block diagrams of other control modes, see the user's manual)



Terminal Arrangement

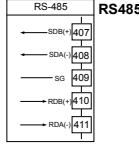
Terminal Arrangement for UT55A/MDL Single Loop Control (for the terminal arrangements of other control modes, see the user's manual.)



401-412 E3-Terminal Area

(Suffix code: Type 3=1)

RS-485 communication



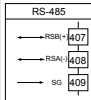
(Suffix code: Type 3=2)

Ethernet communication (with gateway function)

10BASE-T/100BASE-TX RJ45 connector

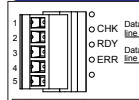


Upper side LED (baud rate)	
Color	Arizer
LT	100M bps
Lnit	10M bps
Lower side LED (link activity)	
Color	Green
Li	Linked
Lk	Active
Lnit	Link failure



(Suffix code: Type 3=4)

PROFIBUS-DP communication (with Modbus master)

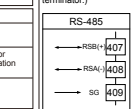


Pin	Signal name	Description
1	VP	+5V bus power
2	RxD/TxD-P	Data signal (positive data receive/transmit)
3	RxD/TxD-N	Data signal (negative data receive/transmit)
4	DGND	Signal ground
5	SHIELD	Shield ground

LED	Lit	Unit
CHK (red)	User profile error	Normal
RDV (green)	Normal Communicating successfully	No power, or Communication failure
ERR (red)	Not connected, or communication failure (flashing)	Normal

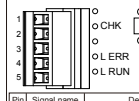
PROF

If the UT is located at the end of a segment for the PROFIBUS communication wiring, terminating resistors are separately needed. These are to be prepared by users. (390 Ω, 2 pcs, 220 Ω: 1 pc, or an active terminator.)



(Suffix code: Type 3=3)

CC-Link communication (with Modbus master)

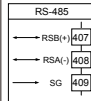


Pin	Signal name	Description
1	FG	Frame ground
2	SLD	Shield
3	DC	RX/TX signal ground
4	DB	RX/TX - signal
5	DA	RX/TX + signal

LED	Lit	Unit
CHK (red)	User profile error/ Address error	Normal
LERR (red)	Communication failure (CRC error)	Normal
L.RUN (green)	Normal Communicating successfully	No carrier detected/ Connection timeout

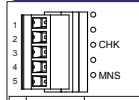
CC-L

If the UT is located at the end of a segment for the CC-Link communication wiring, terminating resistors are separately needed. These are to be prepared by users. (110 Ω: 1 pc.)



(Suffix code: Type 3=5)

DeviceNet communication (with Modbus master)

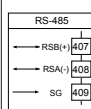


Pin	Signal name	Description
1	V+	DeviceNet power supply 24V
2	CAN_H	RX/TX + signal
3	DRAN	Shield/Drain wire
4	CAN_L	RX/TX - signal
5	V-	DeviceNet power supply common

LED	Lit/flashing	Unit
CHK (red)	User profile error	Normal
MNS (green/red)	Normal Communicating successfully (green, lit), Not connected (green, flashing), Critical link failure (red, lit), Communication timeout (red, flashing)	No electricity
AI	At power-on/Communication failure (green/red, flashing)	

DNET

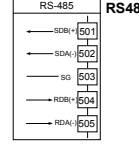
If the UP is located at the end of a segment for the DeviceNet communication wiring, terminating resistors are separately needed. These are to be prepared by users. (121 Ω: 1 pc.)



501-506 E4-Terminal Area

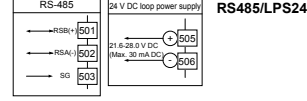
(Suffix code: Type 2=2 and without option code /LP)

RS-485 communication



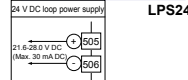
(Suffix code: Type 2=2 and with option code /LP)

RS-485 communication/24 V DC loop power supply



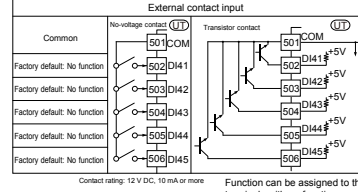
(Suffix code: Type 2=other than 2, 5, or 7 and with option code /LP)

24 V DC loop power supply



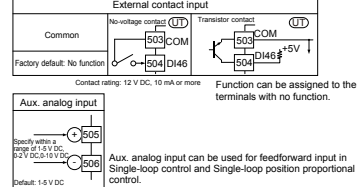
(Suffix code: Type 2=5)

Contact input DI

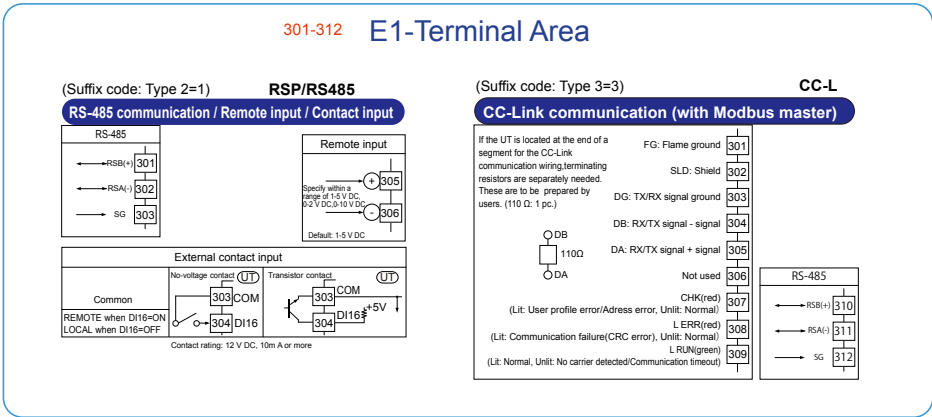
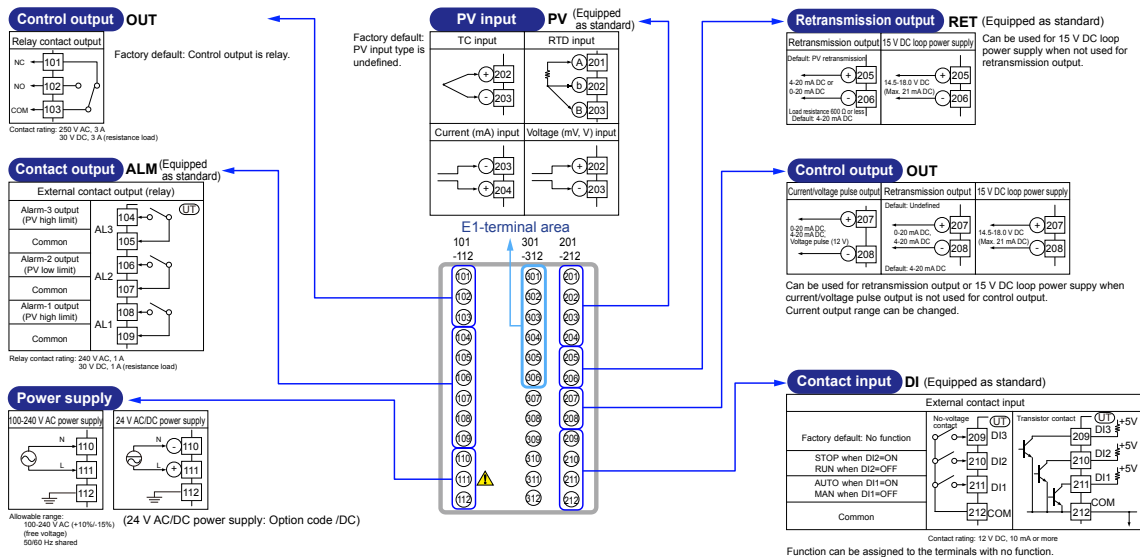


(Suffix code: Type 2=7)

Aux. analog input/Contact input AIN4



Terminal Arrangement for UT52A/MDL Single Loop Control (for the terminal arrangements of other control modes, see the user's manual.)



■ Model and Suffix Code

Model	Suffix code	Option code	Description
UT55A		/MDL (Required)	Digital Indicating Controller (Power supply 100-240 V AC) (provided with retransmission output or 15 V DC loop power supply , 3 DIs, and 3 DOs) (without the display parts and keys)
Type 1: Basic control	-0 -2		Standard type Heating/cooling type
Type 2: Functions	0 2 3 4 5 7		None Remote (1 additional aux. analog) input, 1 additional DI, and RS-485 communication (Max.19.2 kbps, 2-wire or 2-wire/4-wire) ^{(*)1} 5 additional DIs and 5 additional DOs Remote (1 additional aux. analog) input and 1 additional DI Remote (1 additional aux. analog) input, 6 additional DIs, and 5 additional DOs 3 additional aux. analog inputs and 3 additional DIs
Type 3: Open networks	1 2 3 4 5		RS-485 communication (Max. 38.4 kbps, 2-wire/4-wire) Ethernet communication (with serial gateway function) CC-Link communication (with Modbus master function) PROFIBUS-DP communication (with Modbus master function) DeviceNet communication (with Modbus master function)
Fixed code	-1		Temperature unit: deg C & deg F
Case color	1		Black (Light charcoal gray)
Fixed code	-00		Always "-00" (for Standard Code Model)
Option codes		/MDL (Required)	Mount on DIN rail (without the display parts and keys) ^{(*)2}
		/LP	24 V DC loop power supply ^{(*)2}
		/DC	Power supply 24 V AC/DC
		/CT	Coating ^{(*)3}

*1: When the /LP option is specified, the RS-485 communication of the Type 2 code "2" is 2-wire system.

*2: The /MDL option and /LP option can be specified in the combination of Type 2 code (any of "0", "2", "3", or "4") and Type 3 code "1".

*3: When the /CT option is specified, the UT55A does not conform to the safety standards (UL and CSA) and CE marking (Products with /CT option are not intended for EEA-market).

Model	Suffix code	Option code	Description
UT52A		/MDL (Required)	Digital Indicating Controller (Power supply 100-240 V AC) (provided with retransmission output or 15 V DC loop power supply , 3 DIs, and 3 DOs) (without the display parts and keys)
Type 1: Basic control	-0		Standard type
Type 2: Functions	0 1		None Remote (1 additional aux. analog) input, 1 additional DI, and RS-485 communication (Max. 38.4 kbps, 2-wire)
Type 3: Open networks	0 3		None CC-Link communication (with Modbus master function)
Fixed code	-1		Temperature unit: deg C & deg F
Case color	1		Black (Light charcoal gray)
Fixed code	-00		Always "-00" (for Standard Code Model)
Option codes		/MDL (Required)	Mount on DIN rail (without the display parts and keys) ^{(*)1}
		/DC	Power supply 24 V AC/DC
		/CT	Coating ^{(*)2}

*1: When the /MDL option is specified, the model and the suffix codes are as follows:

UT52A-010-11-00/x/MDL

UT52A-003-11-00/x/MDL

*2: When the /CT option is specified, the UT52A does not conform to the safety standards (UL and CSA) and CE marking (Products with /CT option are not intended for EEA-market).

■ Items to be specified when ordering

Model and suffix codes, whether User's Manual and QIC required.

■ Standard accessories

Terminal cover and Operation Guide for Single-loop Control.

■ Special Order Items

Model code	Suffix code	Description
LL50A	-00	Parameter Setting Software
X010	See the General Specifications (*)	Resistance Module

*: Necessary to input the current signal to the voltage input terminal.

Name	Model
Terminal cover (for UT55A)	UTAP001
Terminal cover (for UT52A)	UTAP002
User's Manual (CD)	UTAP003

User's Manual

Product user's manuals can be downloaded or viewed at the following URL. To view the user's manual, you need to use Adobe Reader 7 or later by Adobe Systems.

URL: <http://www.yokogawa.com/ns/ut/im/>

Appendix 1 Input and Output Table (for Standard model)

See the next page.

Appendix 1 Input and Output Table (for Standard model)

UT55A Model and Suffix Codes

Model	Suffix code					Optional suffix code	INPUT				OUTPUT			
							PV	RSP	AIN2	AIN4	OUT	OUT2	VALV	RET
UT55A	-x	x	x	-xx	-00	/x	●							●
Type 1: Basic control	-0										●			
	-1												●	
	-2										●	●		
Type 2: Functions	0													
	1							●						
	2							●						
	3													
	4							●						
	5							●						
	6													
7							●	●	●					
Type 3: Open networks		x												
Display language/Case color				-xx										
Fixed code					-00									
Optional suffix codes						/DR		◆						
						/HA								

- : Equipped
- ◆: If the /DR option is additionally specified to the remote input, RSP terminal can be used as universal input. However, DI16 is deleted.

UT52A Model and Suffix Codes

Model	Suffix code					Optional suffix code	INPUT		OUTPUT					
							PV	RSP	OUT	OUT2	VALV	RET		
UT52A	-x	x	x	-xx	-00	/x	●			●				●
Type 1: Basic control	-0									●				
	-1											●		
	-2									●	●			
Type 2: Functions	0													
	1							●						
	2							●						
	3													
Type 3: Open networks		x												
Display language/Case color				-xx										
Fixed code					-00									
Optional suffix codes						/DR		◆						
						/HA								

- : Equipped
- ◆: If the /DR option is additionally specified to the remote input, RSP terminal can be used as universal input. However, DI16 is deleted.

Appendix 1 Input and Output Table (for Standard model)

UT55A (Continued)

DI																				
DI1	DI2	DI3	DI11	DI12	DI13	DI14	DI15	DI16	DI26	DI31	DI32	DI33	DI34	DI35	DI41	DI42	DI43	DI44	DI45	DI46
•	•	•																		
								•		•	•	•	•	•						
								•												
			•	•	•	•	•													
								•												
								•							•	•	•	•	•	
								•	•						•	•	•	•	•	
																				•
								♦												

UT55A (Continued)

DO																			
AL1	AL2	AL3	DO11	DO12	DO13	DO14	DO15	DO21	DO22	DO23	DO24	DO25	DO31	DO32	DO33	DO34	DO35	HAL1	HAL2
•	•	•																	
								•	•	•	•	•							
								•	•	•	•	•							
								•	•	•	•	•							
			•	•	•	•	•	•	•	•	•	•	•	•	•	•	•		
																		•	•

UT52A (Continued)

DI						DO						
DI1	DI2	DI3	DI11	DI12	DI16	AL1	AL2	AL3	DO11	DO12	HAL1	HAL2
•	•	•				•	•	•				
					•							
					•							
			•	•					•	•		
					♦							
											•	•

Appendix 1 Input and Output Table (for Standard model)

UT55A/MDL Model and Suffix Codes

Model	Suffix code					Optional suffix code	INPUT				OUTPUT		
	-x	x	x	-xx	-00		PV	RSP	AIN2	AIN4	OUT	OUT2	RET
UT55A	-x	x	x	-xx	-00	/MDL(Required)	●						●
Type 1: Basic control	-0										●		
	-2										●	●	
Type 2: Functions	0												
	2							●					
	3												
	4							●					
	5							●					
	7							●	●	●			
Type 3: Open networks					x								
Fixed code					-xx								
Fixed code					-00								
Optional suffix codes						/MDL(Required)							

●: Equipped

UT52A/MDL Model and Suffix Codes

Model	Suffix code					Optional suffix code	INPUT		OUTPUT			
	-x	x	x	-xx	-00		PV	RSP	OUT	OUT2	RET	
UT52A	-x	x	x	-xx	-00	/MDL(Required)	●					●
Type 1: Basic control	-0									●		
Type 2: Functions	0											
	1							●				
Type 3: Open networks					x							
Fixed code					-xx							
Fixed code					-00							
Optional suffix codes						/MDL(Required)						

●: Equipped

UT55A (Continued)

DI															
DI1	DI2	DI3	DI11	DI12	DI13	DI14	DI15	DI16	DI26	DI41	DI42	DI43	DI44	DI45	DI46
•	•	•													
								•							
			•	•	•	•	•								
								•							
								•		•	•	•	•	•	
								•	•						•

UT55A (Continued)

DO							
AL1	AL2	AL3	DO21	DO22	DO23	DO24	DO25
•	•	•					
			•	•	•	•	•
			•	•	•	•	•

UT52A (Continued)

DI				DO		
DI1	DI2	DI3	DI16	AL1	AL2	AL3
•	•	•		•	•	•
			•			

Appendix 2 Input and Output Table (for Detailed model)

UT55A Model and Suffix Codes

Model	Suffix code				Optional suffix code	INPUT				OUTPUT					RET		
						PV	RSP	AIN2	AIN4	OUT (mA/pulse)	OUT (relay)	OUT (triac)	VALV	OUT2 (mA/pulse)	OUT2 (relay)	OUT2 (triac)	RET
UT55A	-xxx	-xx	-x	x	/x	●											
Fixed code	-NNN																
Display language/ Case color	-xx																
Output 1	-A								●								
	-R									●							
	-U								●	●							
	-T										●						
	-P											●					
Output 2	A											●					
	R												●				
	U											●	●				
	T														●		
	N																
Retransmission output					/RT												●
Heater break alarm					/HA												
E1 terminal area					/R1		●										
					/U1		●										
					/X1												
					/Y1												
					/W1												
E2 terminal area					/A2			●									
					/X2												
					/Y2												
					/W2												
E3 terminal area					/CH3												
					/CC3												
					/PD3												
					/DN3												
					/ET3												
					/X3												
					/Y3												
E4 terminal area					/A4				●								
					/C4												
					/L4												
					/AC4				●								
					/LC4												
					/X4												
					/Y4												
Power supply					/DC												
Additional treatment					/CT												

●: Equipped

Appendix 2 Input and Output Table (for Detailed model)

UT55A (Continued)

Model	Suffix code			Optional suffix code	
UT55A	-NNN	-xx	-x	x	/x
Fixed code	-NNN				
Display language/ Case color	-xx				
Output 1				-A	
				-R	
				-U	
				-T	
				-P	
Output 2				A	
				R	
				U	
				T	
				N	
Retransmission output				/RT	
Heater break alarm				/HA	
E1 terminal area				/R1	
				/U1	
				/X1	
				/Y1	
				/W1	
E2 terminal area				/A2	
				/X2	
				/Y2	
				/W2	
E3 terminal area				/CH3	
				/CC3	
				/PD3	
				/DN3	
				/ET3	
				/X3	
				/Y3	
				/W3	
E4 terminal area				/A4	
				/C4	
				/L4	
				/AC4	
				/LC4	
				/X4	
				/Y4	
				/W4	
Power supply				/DC	
Additional treatment				/CT	

Appendix 2 Input and Output Table (for Detailed model)

UT52A Model and Suffix Codes

Model	Suffix code				Optional suffix code	INPUT		OUTPUT					RET	
						PV	RSP	OUT (mA/pulse)	OUT (relay)	OUT (triac)	VALV	OUT2 (mA/pulse)	OUT2 (relay)	RET
UT52A	-NNN	-xx	-x	x	/x	●								
Fixed code	-NNN													
Display language/ Case color	-xx													
Output 1	-A						●							
	-R							●						
	-U						●	●						
	-T								●					
	-P									●				
Output 2	A										●			
	R											●		
	U									●	●			
	N													
Retransmission output					/RT									●
Heater break alarm					/HA									
E1 terminal area					/R1		●							
					/U1		●							
					/L1									
					/CH1									
					/RCH1		●							
					/LCH1									
					/X1									
					/Y1									
Power supply					/W1									
Additional treatment					/DC									
					/CT									

●: Equipped

Revision Information

- Title : UT55A/UT52A Digital Indicating Controller User's Manual
- Manual No. : IM 05P01C31-01EN

May 2009/1st Edition

Newly published

Sep. 2009/2nd Edition

Error correction

Jan. 2010/3rd Edition

Error correction

June 2010/4th Edition

Style change for the case color option, and addition of DeviceNet and CC-Link communication.

Sep. 2010/5th Edition

Addition of the DeviceNet communication and the Detailed code model.

Jan. 2011/6th Edition

Functional improvement, and error correction.

Apr. 2015/7th Edition

Functional enhancement

Mar. 2016/8th Edition

Safety standard IEC/EN 61010-2-201 conformity and error correction.

- Written by Yokogawa Electric Corporation
 - Published by Yokogawa Electric Corporation
2-9-32 Nakacho, Musashino-shi, Tokyo 180-8750, JAPAN
-

Blank Page



YOKOGAWA ELECTRIC CORPORATION**Headquarters**

2-9-32, Nakacho, Musashino-shi, Tokyo, 180-8750 JAPAN
Phone : 81-422-52-5555

Branch Sales Offices

Osaka, Nagoya, Hiroshima, Kurashiki, Fukuoka, Kitakyusyu

YOKOGAWA CORPORATION OF AMERICA**Head Office**

12530 West Airport Blvd, Sugar Land, Texas 77478, USA
Phone : 1-281-340-3800 Fax : 1-281-340-3838

Georgia Office

2 Dart Road, Newnan, Georgia 30265, USA
Phone : 1-800-888-6400/ 1-770-253-7000 Fax : 1-770-254-0928

YOKOGAWA AMERICA DO SUL LTDA.

Praca Acapulco, 31 - Santo Amaro, São Paulo/SP, BRAZIL, CEP-04675-190
Phone : 55-11-5681-2400 Fax : 55-11-5681-4434

YOKOGAWA EUROPE B. V.

Euroweg 2, 3825 HD Amersfoort, THE NETHERLANDS
Phone : 31-88-4641000 Fax : 31-88-4641111

YOKOGAWA ELECTRIC CIS LTD.

Grokholskiy per 13 Building 2, 4th Floor 129090, Moscow, RUSSIA
Phone : 7-495-737-7868 Fax : 7-495-737-7869

YOKOGAWA CHINA CO., LTD.

3F Tower D Cartelo Crocodile Building, No.568 West Tianshan Road,
Shanghai 200335, CHINA
Phone : 86-21-62396262 Fax : 86-21-62387866

YOKOGAWA ELECTRIC KOREA CO., LTD.

(Yokogawa B/D, Yangpyeong-dong 4-Ga), 21, Seonyu-ro 45-gil, Yeongdeungpo-gu,
Seoul, 150-866, KOREA
Phone : 82-2-2628-6000 Fax : 82-2-2628-6400

YOKOGAWA ENGINEERING ASIA PTE. LTD.

5 Bedok South Road, Singapore 469270, SINGAPORE
Phone : 65-6241-9933 Fax : 65-6241-2606

YOKOGAWA INDIA LTD.

Plot No.96, Electronic City Complex, Hosur Road, Bangalore - 560 100, INDIA
Phone : 91-80-4158-6000 Fax : 91-80-2852-1442

YOKOGAWA AUSTRALIA PTY. LTD.

Tower A, 112-118 Talavera Road, Macquarie Park NSW 2113, AUSTRALIA
Phone : 61-2-8870-1100 Fax : 61-2-8870-1111

YOKOGAWA MIDDLE EAST & AFRICA B.S.C.(C)

P.O. Box 10070, Manama, Building 577, Road 2516, Busaiteen 225, Muharraq,
Kingdom of BAHRAIN
Phone : 973-17358100 Fax : 973-17336100

Apr. '15