

## UM Inferential Series

### Utility Flowmeters

Specifically for monitoring / controlling the movements of water, gasoline, diesel fuels, kerosene or other low viscosity liquids in small pipe sizes. The series is available as a blind configuration with dual pulsed outputs or with a self powered reset totaliser, flow rate totaliser or externally powered batch controller. The meter has integral flow conditioning ports focused on a well balanced impeller, this combination eliminates the need for straight pipe runs to simplify installation. Totaliser & flow rate reading versions are available as I.S. for volatile fuels & solvents.

#### Features / Benefits

- **Flows: 0.5~70 litres/min ( 0.15~20 US gal/min )**
- **Quick connect process adaptors**
- **High accuracy & repeatability, wide turndown**
- **No requirement for flow conditioning**  
( no straight pipe runs etc )
- **Intrinsically safe models available for volatile liquids**
- **Low pressure loss suits gravity feed installations**



#### Meter selection

Meters are selected based on application requirements:

- **Blind meter** typically give a pulse output to a remote PLC, computer or pulse compatible integrating instrument.
- **Totalising meter** fitted with a Trimec self powered BT dual LCD totaliser (see data sheet SLBT000-4206 for details).
- **Totalising flow rate meter** fitted with a Trimec self powered RT LCD flow rate totaliser (see data sheet SLRT000-4206 for details).
- **Batching meter** fitted with a Trimec EB Ecobatch LCD pre-set batch controller (see data sheet SLEB000-4206 for details).



#### Applications include :

Water, gasolines, diesel fuel, kerosene, anti freeze mixtures, alcohols, selected solvents, insecticides, flavourings, dyes, automotive workshops, food processing plants, fuel depots, mobile service vehicles, portable tests metering & many small liquid handling facilities

CE



Quality  
Endorsed  
Company

## ORDER CODE

### Utility meter combinations

Model	Description	Weight
UM020B# - 00	blind meter with Reed switch & Hall effect outputs giving 30PPL (113.5 P/USG)	0.8 Kg
UM020B# - B2	meter with BT11 dual totaliser with scaleable pulse output	1.0 Kg
UM020B# - B3	meter with I.S. intrinsically safe BT11 totaliser	1.0 Kg
UM020B# - R2	meter with RT12 flow rate totaliser with 4~20mA, scaleable pulse, alarm outputs, dual flow inputs	1.0 Kg
UM020B# - R3	meter with I.S. intrinsically safe RT12 rate totaliser	1.0 Kg
UM020B# - E0	meter with 24Vdc powered EB10 Ecobatch one or two stage batch controller	1.0 Kg
UM020B# - ES0	meter with 24Vdc EB10 Ecobatcher & 24Vdc x 8W solenoid valve	2.0 Kg

# select according to meter coupling connections ( 1 = 3/4" BSP male, 2 = 3/4" NPT male )

Utility meters can also be used for low viscosity insecticides & fertilisers which are compatible with the meters brass body

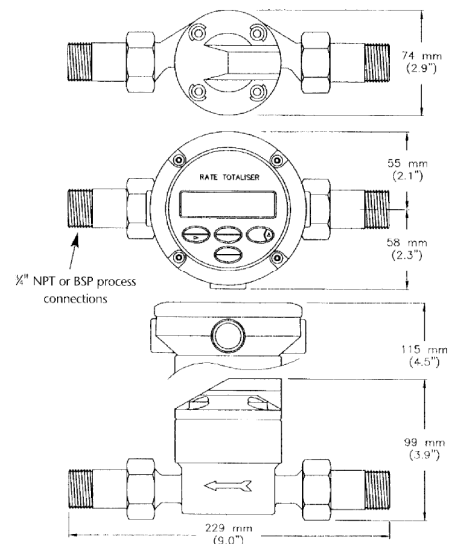
### Specifications

Wetted materials	Nickel plated brass body, Polyphenyleneoxide elements, viton O-ring
Connections	3/4" BSP or NPT male threaded adaptor style process connectors
Flow range	1 ~ 70 litres/min ( 16 ~ 1110 US gal/hr )
Accuracy	+/- 1.5% of reading ( +/- 0.5% with optional RT12 correction enabled )
Repeatability	+/- 0.3%
Max. pressure	10 bar ( 150 psig )
Max. temperature	90°C ( 195°F )
<b>Electrical outputs</b>	
Reed switch	30 PPL ( 114 pulses / US gal ), max load 200mA x 30Vdc
NPN Hall effect	30 PPL ( 114 pulses / US gal ), 3 wire open collector, 5~24Vdc 20mA max.
<b>Optional functions</b>	
Display	flowrate, total (accumulative & resettable)
Preset batching	1 & 2 stage high speed batch control, solenoid valve optional
<b>Optional outputs</b>	
Flow	4 ~ 20mA, high & low flow rate alarms
Pulse	scaled pulse (programmable), pulse repeater / amplifier

### Integral and Remote Instruments



### Dimensions



1/19 Northumberland Road Caringbah Sydney NSW Australia.

Phone 61 2 9540 44 Fax: 61 2 9525 9411

Email: [sales@flomec.com.au](mailto:sales@flomec.com.au)

Web: [www.flomec.com.au](http://www.flomec.com.au)

**FLOMECC**