

VEGADIS 82

4 ... 20 mA/HART

External display and adjustment unit for 4 ... 20 mA/HART sensors



Application area

VEGADIS 82 is suitable for measured value indication and adjustment of 4 ... 20 mA/HART sensors. The instrument is looped directly into the signal line at any location. It operates as a pure display instrument in a 4 ... 20 mA current loop and can hence be used as external display for a four-wire sensor or VEGAMET signal conditioning instrument with an active 4 ... 20 mA output.

Your benefit

- Time and cost saving with the parameter adjustment on site with PLICSCOM
- Reliable and easy adjustment through clear text indication with graphic support
- Universal use through HART standard parameters

Function

When used with a 4 ... 20 mA/HART sensor, the VEGADIS 82 operates as display and HART adjustment unit. The parameter adjustment of the sensor is carried out via HART communication. During the parameter adjustment, the VEGADIS 82 works as Master to the sensor.

The housing of VEGADIS 82 contains a filter element for ventilation. Hence the instrument is also used for atmospheric pressure compensation of a connected submersible pressure transmitter.

Technical data

General data

Materials

- Housing plastic PBT, Alu die-casting, 316L
- Inspection window in housing lid for display and adjustment module Polycarbonate (UL-746-C listed)

- Ground terminal 316Ti/316L

Weight approx. 0.35 kg (0.772 lbs)

Signal and supply circuit

Voltage loss (4 ... 20 mA)

- Without lighting max. 1.7 V
- With lighting max. 3.2 V

Current range 3.5 ... 22.5 mA

Display and adjustment module

Indication LC display in dot matrix

Adjustment elements 4 keys

Protection rating

- unassembled IP 20
- mounted into VEGADIS 82 without cover IP 40

Materials

- Housing ABS
- Inspection window Polyester foil

Ambient conditions

Storage and transport temperature -40 ... +80 °C (-40 ... +176 °F)

Ambient temperature -20 ... +70 °C (-4 ... +158 °F)

Electromechanical data

Options of the cable entry

- Cable gland M20 x 1.5 (cable: ø 5 ... 9 mm)
- Cable entry ½ NPT

Wire cross-section (spring-loaded terminals)

- Massive wire, stranded 0.2 ... 2.5 mm² (AWG 24 ... 14) wire
- Stranded wire with end sleeve 0.2 ... 1.5 mm² (AWG 24 ... 16)

Electrical protective measures

Protection rating

- Plastic housing IP 66/IP 67, NEMA Type 4X
- Housing for panel mounting (mounted) IP 40, NEMA Type 1
- Aluminium/Stainless steel housing IP 66/IP 68 (0.2 bar), NEMA Type 6P

Approvals

You can find detailed information on the existing approvals in the "configurator" on our homepage at www.vega.com/configurator.

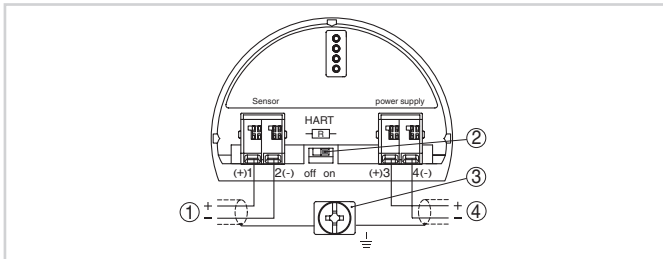
Adjustment

The adjustment of the instrument as well as the connected sensor is carried out via the optional display and adjustment module PLICSCOM. Another adjustment possibility is via a PC with the adjustment software PACTware and respective DTM. The PC is connected to the VEGADIS 82 via the interface adapter VEGACONNECT.



Display and adjustment module PLICSCOM

Electrical connection

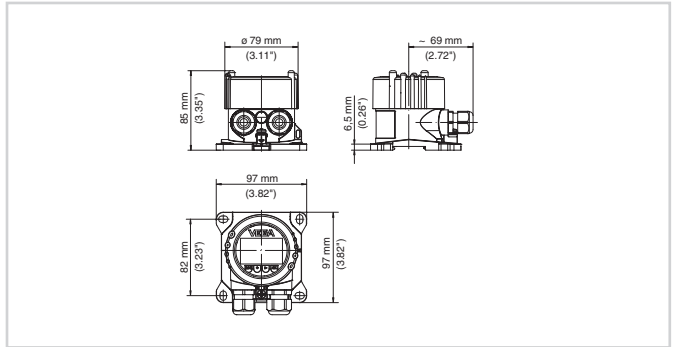


Wiring plan VEGADIS 82 4 ... 20 mA/HART

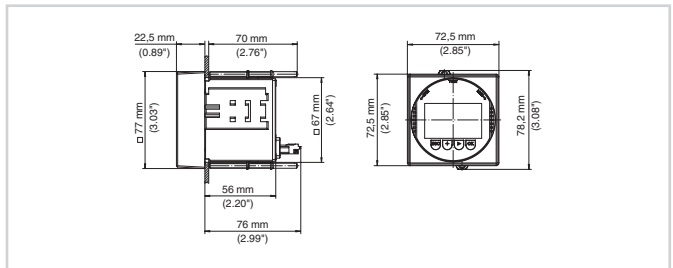
- 1 To the sensor
- 2 Switch for communication resistor (on = activated, off = deactivated)
- 3 Ground terminal for connection of the cable screen
- 4 For power supply

You can find details on electrical connection in the instrument operating instructions at www.vega.com/downloads.

Dimensions



VEGADIS 82 with plastic housing



VEGADIS 82 with plastic housing for panel mounting

Information

You can find further information on the VEGA product line on our homepage www.vega.com.

In the download section under www.vega.com you'll find free operating instructions, product information, brochures, approval documents, instrument drawings and much, much more.

Contact

You can find the VEGA agency serving your area on our homepage www.vega.com.